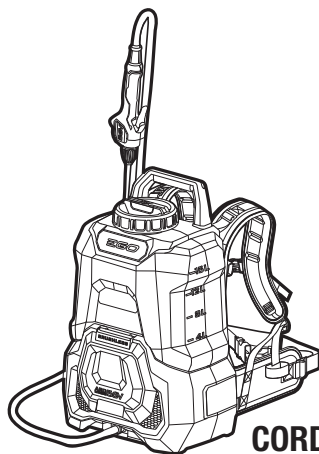


EGO™

POWER⁺ SPRAYER

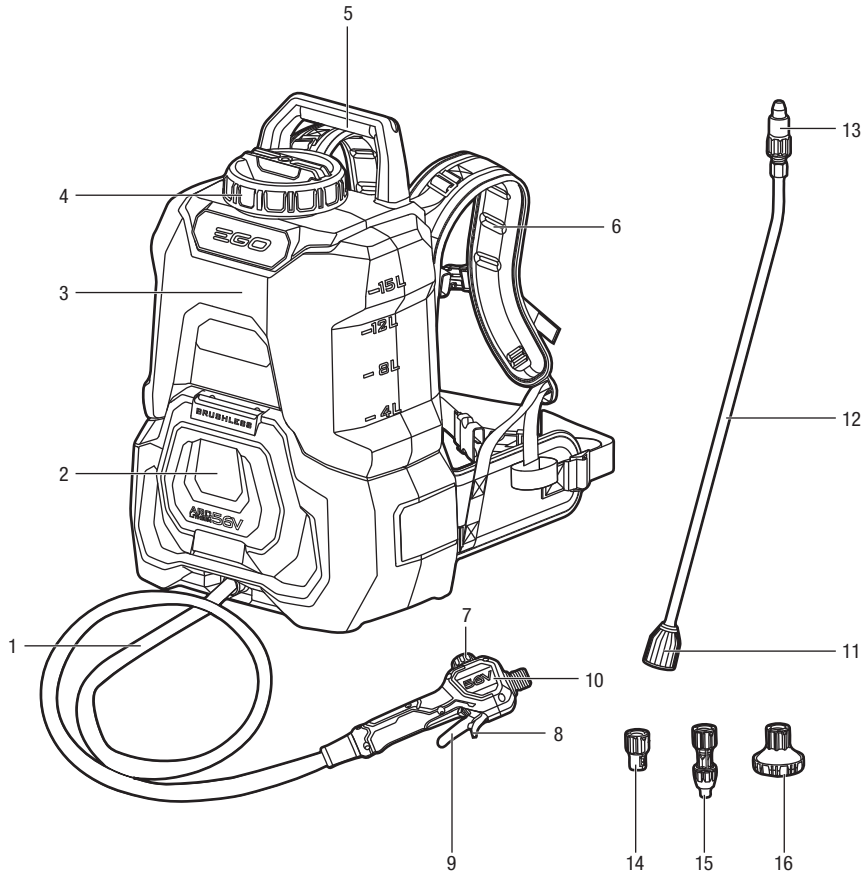


BSP3500E

56 VOLT LITHIUM-ION CORDLESS BACKPACK SPRAYER

EN	56 volt lithium-ion cordless backpack sprayer	6	RO	pulverizator cu rucsac fără fir de 56 volți litiu-ion	184
DE	rückenspritzgerät mit 56 volt lithium-ionen-akku	16	SL	56 volt litij-ionska brezžična nahrbtna škroplilnica	195
FR	pulvérisateur à dos sans fil à batterie lithium-ion 56v	28	LT	56 voltų ličio jonų akumuliatorinis ant nugaros nešiojamas purkštuvus	206
ES	pulverizador de mochila inalámbrico de iones de litio de 56 voltios	40	LV	56 voltu litija jonu bezvadu mugursomas tipa smidzinātājs	217
PT	pulverizador de mochila sem fios de ião de lítio de 56 volts	51	GR	ψεκαστήρας πλατφόρμας 56 volt με μπαταρία ιοντών λιθίου	228
IT	pompa irroratrice a zaino cordless li-ion 56 volt	62	TR	56 volt lityum iyon akülü sırt tipi püskürtme/laçlama makinesi	240
NL	56 volt lithium-ion accu-rugsproeier	73	ET	56-voldise litiuioonakuga seljaskantav aiapriks 251	251
DK	batteridrevet rygsæk-sprøjte med 56 volt lithium-ion-batteri	84	UK	наплічний обприскувач із 56-вольтним літій-іонним акумулятором	262
SE	trådlös rygsäckssprutmaskin med 56 volt litiumjon	95	BG	56 волта литиево-йонна безкабелна ранична пръскачка	274
FI	56 voltin litium-ioniakulla toimiva selässä kannettava ruisku	106	HR	akumulatorski raspršivač s 56 voltnom litij-ionskom baterijom i naprtnjačom	286
NO	56 volt lithium-ion trådløs ryggsekksprøyte	117	KA	56 ვოლტიანი ლითიუმ-იონის უსადენო პულვერიზატორი ზურგანთა	297
RU	беспроводной ранцевый опрыскиватель с литий-ионным аккумулятором 56 в	127	SR	56 volti litijum-jonska bežična ranac prskalica	312
PL	akumulatorowy opryskiwacz plecakowy z baterią litowo-jonową 56 woltów	139	BS	akumulatorska ledna prskalica s litij-ionskom baterijom od 56 v	323
CZ	56 voltový litium-iónový akumulátorový zádový postřikovač	151	HE	תריס גב אחוסי בעל סוללת ליתיום-יון 56 וולט	355
SK	56 v litium-iónový akumulátorový batohový postrekovač	162	AR	رشاشة لاسلكية محمولة على الظهر ببطارية ليثيوم-أيون 56 فولت	345
HU	56 voltos vezeték nélküli, lítium-ion háti perme-tezőgép	173			

A1



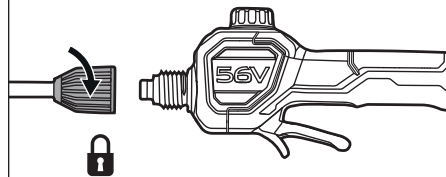
A2

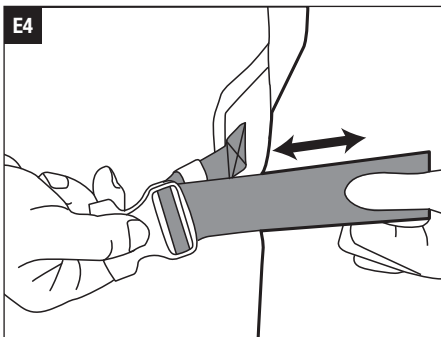
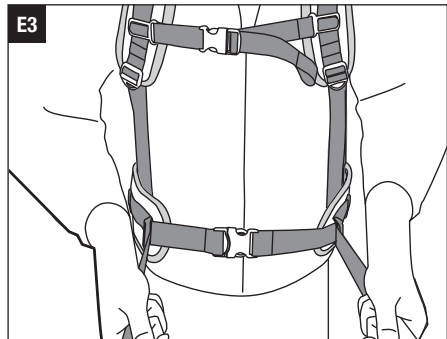
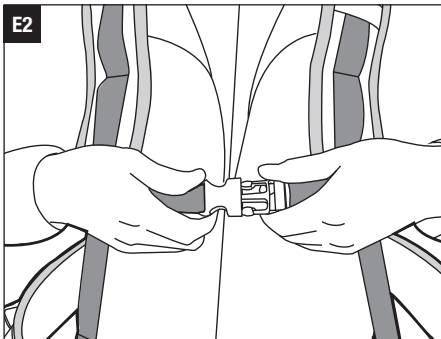
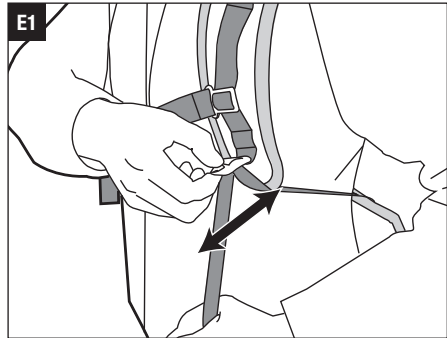
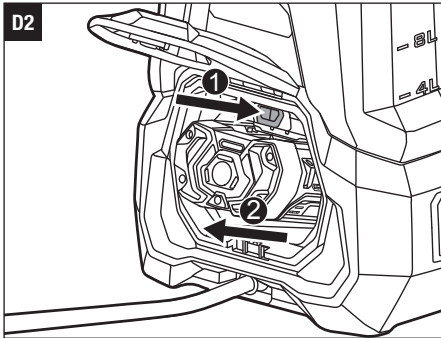
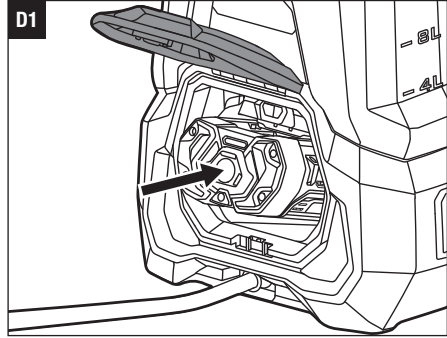
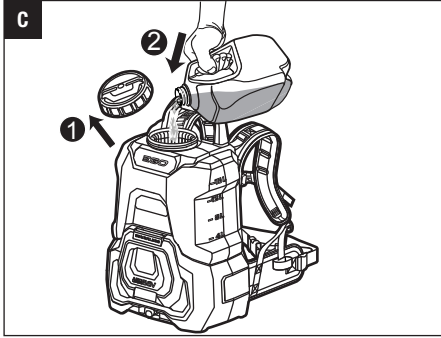
BA1400, BA1400T,
BA2240T, BA2242T,
BA2800, BA2800T,
BA3360T, BA4200,
BA4200T, BA5600T,
BA6720T

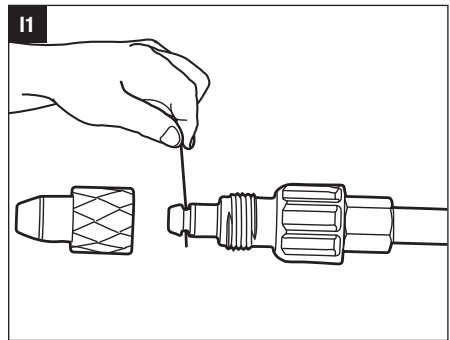
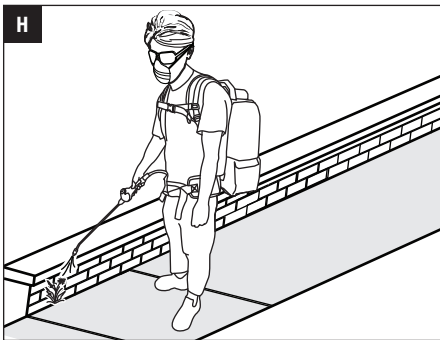
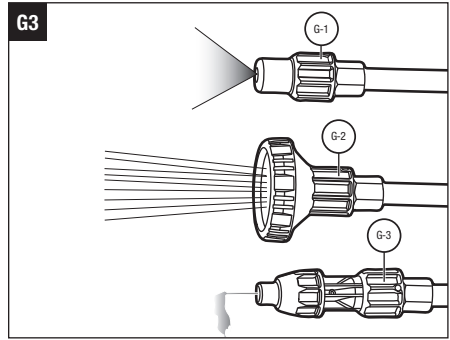
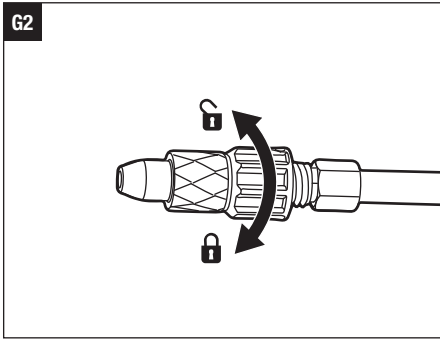
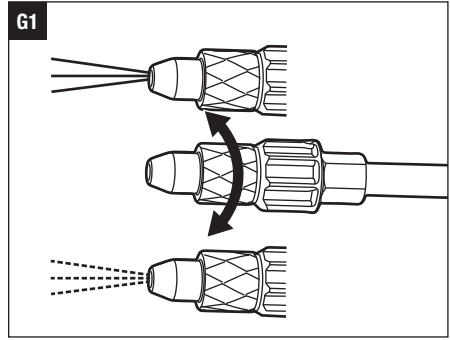
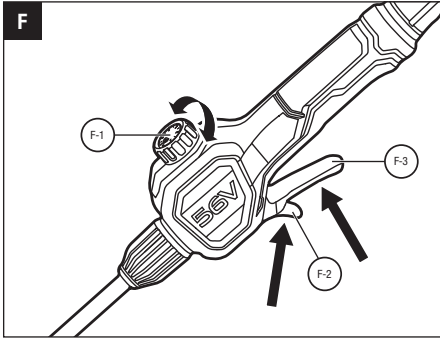
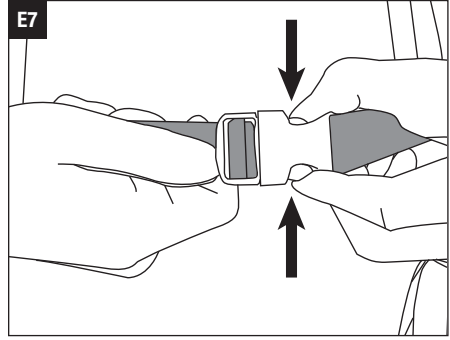
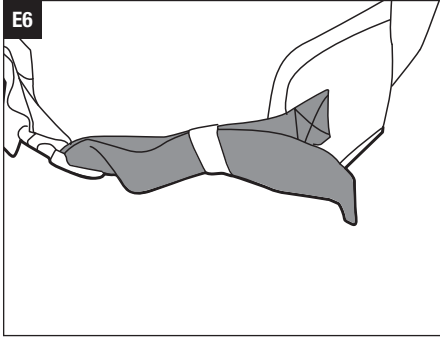
CH2100E,
CH3200E,
CH5500E,
CH7000E,
CH7000E-T



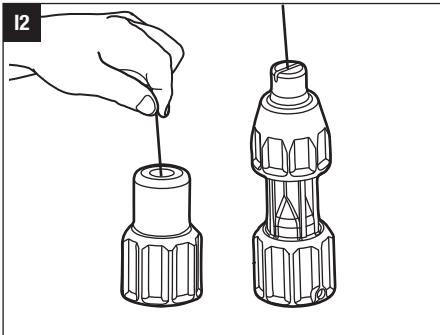
B



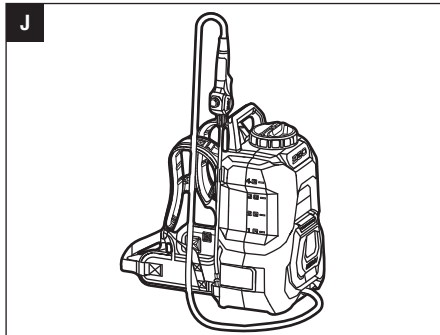




12



J



READ ALL INSTRUCTIONS!**READ OPERATOR'S MANUAL**

⚠ WARNING: To ensure safety and reliability, all repairs should be performed by a qualified service technician.

⚠ WARNING: Be sure to read and understand all safety instructions in this Operator's Manual, including all safety alert symbols such as "**DANGER**", "**WARNING**" and "**CAUTION**" before using this tool. Failure to follow all instructions listed below may result in electric shock, fire, and/or serious personal injury.

SAVE ALL WARNINGS AND INSTRUCTIONS FOR FUTURE REFERENCE.

SAFETY SYMBOLS

⚠ WARNING: The operation of any power tools can result in foreign objects being thrown into your eyes, which can result in severe eye damage. Before beginning power tool operation, always wear safety goggles or safety glasses with side shields and a full face shield when needed. We recommend a Wide Vision Safety Mask for use over eyeglasses or standard safety glasses with side shields.



Safety Alert



To reduce the risk of injury, user must read and understand operator's manual before using this product.



Wear protective clothing.



Keep bystanders away when spraying.



Wear a face shield.



This product is in accordance with applicable EC directives.



Guaranteed sound power level. Noise emission to the environment according to the European community's Directive.



This product is in accordance with applicable UK legislation.



Waste electrical products should not be disposed of with household waste. Take to an authorized recycler.

IPX4

Protection from splashing water



Direct Current

./min

Per Minute

V

Voltage

 n_0

No Load Speed

mm

Millimeter

GENERAL SAFETY WARNINGS

⚠ WARNING: Read all safety warnings, instructions, illustrations and specifications provided with this machine. Failure to follow all instructions listed below may result in electric shock, fire and/or serious injury.

Save all warnings and instructions for future reference.

The term “machine” in the warnings refers to your mains-operated (corded) machine or battery-operated (cordless) machine.

WORK AREA SAFETY

- **Keep work area clean and well lit.** Cluttered or dark areas invite accidents.
- **Do not operate machines in explosive atmospheres, such as in the presence of flammable liquids, gases or dust.** Machines create sparks which may ignite the dust or fumes.
- **Keep children and bystanders away while operating a machine.** Distractions can cause you to lose control.

ELECTRICAL SAFETY

- **Machine plugs must match the outlet. Never modify the plug in any way. Do not use any adapter plugs with earthed (grounded) machines.** Unmodified plugs and matching outlets will reduce risk of electric shock.
- **Avoid body contact with earthed or grounded surfaces, such as pipes, radiators, ranges and refrigerators.** There is an increased risk of electric shock if your body is earthed or grounded.
- **Do not expose machines to rain or wet conditions.** Water entering a machine will increase the risk of electric shock.
- **Do not abuse the cord. Never use the cord for carrying, pulling or unplugging the machine. Keep cord away from heat, oil, sharp edges or moving parts.** Damaged or entangled cords increase the risk of electric shock.
- **When operating a machine outdoors, use an extension cord suitable for outdoor use.** Use of a cord suitable for outdoor use reduces the risk of electric shock.
- **If operating a machine in a damp location is unavoidable, use a residual current device (RCD) protected supply.** Use of an RCD reduces the risk of electric shock.

PERSONAL SAFETY

- **Stay alert, watch what you are doing and use common sense when operating a machine. Do not use a machine while you are tired or under the influence of drugs, alcohol or medication.** A moment of inattention while operating machines may result in serious personal injury.
- **Use personal protective equipment. Always wear eye protection.** Protective equipment such as a dust mask, non-skid safety shoes, hard hat or hearing protection used for appropriate conditions will reduce personal injuries.
- **Prevent unintentional starting. Ensure the switch is in the off-position before connecting to power source and/or battery pack, picking up or carrying the machine.** Carrying machines with your finger on the switch or energising machines that have the switch on invites accidents.
- **Remove any adjusting key or wrench before turning the machine on.** A wrench or a key left attached to a rotating part of the machine may result in personal injury.
- **Do not overreach. Keep proper footing and balance at all times.** This enables better control of the machine in unexpected situations.
- **Dress properly. Do not wear loose clothing or jewellery. Keep your hair and clothing away from moving parts.** Loose clothes, jewellery or long hair can be caught in moving parts.
- **If devices are provided for the connection of dust extraction and collection facilities, ensure these are connected and properly used.** Use of dust collection can reduce dust-related hazards.
- **Do not let familiarity gained from frequent use of machines allow you to become complacent and ignore machine safety principles.** A careless action can cause severe injury within a fraction of a second.

MACHINE USE AND CARE

- **Do not force the machine. Use the correct machine for your application.** The correct machine will do the job better and safer at the rate for which it was designed.
- **Do not use the machine if the switch does not turn it on and off.** Any machine that cannot be controlled with the switch is dangerous and must be repaired.
- **Disconnect the plug from the power source and/or remove the battery pack, if detachable, from the machine before making any adjustments, changing accessories, or storing machines.** Such preventive safety measures reduce the risk of starting the machine accidentally.

- **Store idle machines out of the reach of children and do not allow persons unfamiliar with the machine or these instructions to operate the machine.** Machines are dangerous in the hands of untrained users.
- **Maintain machines and accessories. Check for misalignment or binding of moving parts, breakage of parts and any other condition that may affect the machine's operation. If damaged, have the machine repaired before use.** Many accidents are caused by poorly maintained machines.
- **Keep cutting tools sharp and clean.** Properly maintained cutting tools with sharp cutting edges are less likely to bind and are easier to control.
- **Use the machine, accessories and machine bits etc. in accordance with these instructions, taking into account the working conditions and the work to be performed.** Use of the machine for operations different from those intended could result in a hazardous situation.
- **Keep handles and grasping surfaces dry, clean and free from oil and grease.** Slippery handles and grasping surfaces do not allow for safe handling and control of the machine in unexpected situations.

BATTERY MACHINE USE AND CARE

- **Recharge only with the charger specified by the manufacturer.** A charger that is suitable for one type of battery pack may create a risk of fire when used with another battery pack.
- **Use machines only with specifically designated battery packs.** Use of any other battery packs may create a risk of injury and fire.
- **When battery pack is not in use, keep it away from other metal objects, like paper clips, coins, keys, nails, screws or other small metal objects, that can make a connection from one terminal to another.** Shorting the battery terminals together may cause burns or a fire.
- **Under abusive conditions, liquid may be ejected from the battery; avoid contact. If contact accidentally occurs, flush with water. If liquid contacts eyes, additionally seek medical help.** Liquid ejected from the battery may cause irritation or burns.
- **Do not use a battery pack or machine that is damaged or modified.** Damaged or modified batteries may exhibit unpredictable behaviour resulting in fire, explosion or risk of injury.
- **Do not expose a battery pack or machine to fire or excessive temperature.** Exposure to fire or temperature above 130°C may cause explosion.

- **Follow all charging instructions and do not charge the battery pack or machine outside the temperature range specified in the instructions.** Charging improperly or at temperatures outside the specified range may damage the battery and increase the risk of fire.

SERVICE

- **Have your machine serviced by a qualified repair person using only identical replacement parts.** This will ensure that the safety of the machine is maintained.
- **Never service damaged battery packs.** Service of battery packs should only be performed by the manufacturer or authorized service providers.

SAFETY INSTRUCTIONS FOR CORDLESS SPRAYER

⚠ DANGER: Risk of fire or explosion. Do not spray flammable liquids such as gasoline.

⚠ WARNING:

- **To avoid injury always wear eye, breathing, and skin protection.**
- **To reduce risk of electric shock, do not expose to rain.**
- **For household and outdoor use only.**
- **Do not spray flammable or combustible liquids in a confined area.** When a combustible liquid is sprayed there is a danger of fire or explosion, especially in a confined area.
- **Spray area must be well ventilated.**
- **Do not smoke while spraying or spray where sparks or fame is present.**
- **Before filling the tank, always remove the battery pack. Wipe up any spills before inserting the battery pack.** Following this rule will reduce the risk of electric shock and of corrosive liquids entering the battery pack, which can cause battery pack failure, including short circuit, resulting in smoke, fire, and/or serious personal injury.
- **Do not allow conductive or corrosive fluids to get inside the battery pack.** If conductive or corrosive fluids are spilled on the battery pack, refer to the instructions in your battery pack operator's manual.
- **Before using spray materials in this sprayer, read the label on the material's original container thoroughly and follow its directions.** Some spray

materials are dangerous and should not be used in this sprayer, as they can damage the sprayer and cause serious bodily injury or property damage.

- **Know the contents of the chemical being sprayed. Read all Safety Data Sheets (SDS) and container labels provided with the chemical.** Follow the chemical manufacturer's safety instructions.
- **Electric shock hazard.** Never spray toward electrical outlets.
- **Do not pour hot or boiling liquids into the tank.** These can weaken or damage the tubes or tank.
- **Avoid spraying on windy days.** Spray can be accidentally blown onto plants or objects that should not be sprayed.
- **Store the sprayer in a secure, well-ventilated indoor space with the fluid tank empty.**
- **Do not spray bleach or hydrogen peroxide.**
- **Do not spray alcohol-based chemicals.**
- **Do not spray powders or abrasive chemicals.**
- **Do not spray caustic (alkali) or self-heating liquids.**
- **Do not use environmentally hazardous chemicals that are not allowed as defined by local regulations.**
- **Do not point the sprayer nozzle in the direction of people or pets.**
- **Never allow children, persons with reduced physical, sensory or mental capabilities or lack of experience and knowledge or people unfamiliar with these instructions to use the machine.**
- **The operator or user is responsible for accidents or hazards occurring to other people or their property.**
- **The sprayer shall be used only with plant protection products approved by local/national regulatory authorities for plant protection products for use with knapsack sprayers.**
- **Risk of injection.** Do not discharge directly against skin. Keep all body parts out of the spray pattern.
- **Do not leave residue or spray material in the tank after using the sprayer.** Clean after each use.
- **To reduce the risk of fire or explosion use a liquid with a flash point higher than 60°C.**
- **To reduce the risk of electric shock, do not put the sprayer into water or other liquid. Do not place or store the sprayer where it can fall or be pulled into a tub or sink.**
- **Maintain this product. Thoroughly inspect both the inside and outside of the sprayer and examine the components before each use. Check for cracked and deteriorated tank, leaks, clogged nozzles, and missing or damaged parts. If damaged, have the product repaired before use.** Many accidents are caused by poorly maintained products.
- **Turn the power switch to the off position when the sprayer is not in use and before servicing or cleaning.**
- **Disconnect the battery from the unit before draining, cleaning, or storing the sprayer.** Such preventive safety measures reduce the risk of accidental starting.
- **Always wear eye protection with side shields or goggles.** Failure to do so could result in fluids entering your eyes resulting in possible serious injury.
- **Protect your lungs. Wear approved safety equipment such as face masks that are specially designed to filter out sprays, gloves, and other appropriate protective equipment.** Following this rule will reduce the risk of serious personal injury. Follow the chemical manufacturer's safety instructions and guidelines listed on the SDS sheet.
- **Chemicals and chemical fumes can be hazardous and cause serious injury, permanent damage or death if ingested, inhaled or splashed in eyes or on skin.** Follow the chemical manufacturer's safety instructions and guidelines listed on the SDS sheet.
- **To reduce the risk of injury, close supervision is necessary when the sprayer is used near children.**
- **Do not contact moving parts.**
- **Only use attachments recommended or sold by the manufacturer.**
- **Prevent unintentional starting. Ensure the switch is in the off-position before connecting to battery pack, picking up, or carrying the appliance.** Carrying the appliance with your finger on the switch or energizing appliances that have the switch on invites accidents.

SAVE THESE INSTRUCTIONS

SPECIFICATIONS

Rated Voltage	56 V
Max. Tank Capacity	15L
Max. Working Pressure	24 bar
Max. Spray Flow Rate (with adjustable nozzle, spray mode)	2.3 L/min
Inlet Filter Diameter	35 mm
Inlet Filter Mesh Size	0.35 mm
Outlet Filter Diameter	124 mm
Weight (dry weight, without battery pack)	7.6 kg
Recommended Operating Temperature	5°C-40°C
Recommended Storage Temperature	-20°C-70°C
Recommended Charging Temperature	5°C-40°C

⚠ WARNING: Before using a backpack sprayer, be sure to confirm that its total weight, including the machine, liquid in the tank, and the nozzle and battery pack used, does not exceed 25kg to avoid injury and loss of balance.

- The declared vibration total value has been measured in accordance with a standard test method and may be used for comparing one tool with another;
- The declared vibration total value may also be used in a preliminary assessment of exposure.

NOTICE: The vibration emission during actual use of the power tool can differ from the declared value in which the tool is used; In order to protect the operator, user should wear gloves and ear protectors in the actual conditions of use.

PACKING LIST (FIG. A1)

DESCRIPTION

KNOW YOUR SPRAYER (FIG. A1)

1. Hose

2. Battery Compartment
3. Tank
4. Tank Cap
5. Carry Handle
6. Adjustable Support Harness
7. Speed Dial
8. Lock-on Lever
9. ON/OFF trigger
10. Control Handle
11. End Cap
12. Spray Wand
13. Adjustable Nozzle
14. Fan Nozzle
15. Foaming Nozzle
16. Shower Nozzle

ASSEMBLY

⚠ WARNING: If any parts are damaged or missing, do not operate this product until the parts are replaced. Use of this product with damaged or missing parts could result in serious personal injury.

⚠ WARNING: Do not attempt to modify this product or create accessories not recommended for use with this product. Any such alteration or modification is misuse and could result in a hazardous condition leading to possible serious personal injury.

⚠ WARNING: To prevent accidental starting that could cause serious personal injury, always remove the battery pack from the machine when assembling parts, making adjustments, cleaning, or when the product is not in use.

- This product requires assembly.
- Carefully remove the product and any accessories from the box. Make sure that all items shown in the “Packing List” are included.
- Inspect the product carefully to make sure that no breakage or damage occurred during shipping.
- Do not discard the packing material until you have carefully inspected and satisfactorily operated the product.
- If any parts are damaged or missing, please return the product to the place of purchase.

CONNECTING THE SPRAY WAND TO THE CONTROL HANDLE

1. Thread the end cap of the spray wand onto the control handle and tighten securely clockwise (Fig. B).
2. Pull on the spray wand to make sure it is properly secured.

OPERATION

⚠ WARNING: Do not allow familiarity with this product to make you careless. Remember that a careless fraction of a second is sufficient to inflict serious injury.

⚠ WARNING: Use safety equipment. Protect your eyes, skin, and lungs while mixing, filling, spraying, and cleaning. Failure to do so may result in serious personal injury and damage to property.

⚠ WARNING: To prevent serious personal injury, remove the battery pack from the appliance before servicing, cleaning, changing attachments, filling or emptying the tank.

⚠ WARNING: Do not use any attachments or accessories not recommended by the manufacturer of this product. The use of attachments or accessories not recommended can result in serious personal injury.

Before each use, inspect the entire product for damaged, missing, or loose parts, such as screws, nuts, bolts, caps, etc. Securely tighten all fasteners and caps and do not operate this product until all missing or damaged parts are replaced.

INTENDED USE

You may use this product for the purposes listed below:

- Applying fertilizers and watering plants.
- Spraying herbicides, pesticides, and fungicides.

NOTICE: The product is designed for horticultural and agricultural use only.

NOTICE: The product is to be used only for its prescribed purposes. Any other use is deemed to be a case of misuse.

⚠ WARNING: Improper application of chemicals or solutions can result in SEVERE INJURY or DEATH. Follow the chemical manufacturer's safety instructions and guidelines listed on the SDS sheet.

FILLING THE TANK (Fig. C)

⚠ WARNING: Always follow the chemical manufacturer's instructions printed on their product labeling for use, cleaning, and storage. Do not combine chemicals. Clean the tank thoroughly after each use, following the instructions in the "MAINTENANCE" section of this manual. Chemicals should be stored out of the reach of children. Failure to do so may result in serious personal injury.

⚠ WARNING: To avoid injury and loss of balance, make sure that the amount of liquid added to the tank does not make the total weight of the sprayer, including the machine, liquid in the tank, and the nozzle and battery pack used, exceed 25 kg.

Liquid chemicals to be sprayed must be as thin as water. Thicker liquids will not spray properly. Do not overfill the tank.

1. Remove the battery pack.
2. Unscrew the tank cap counterclockwise and remove it from the tank.
3. Stand the sprayer on a level surface.
4. Fill the tank with the desired amount of water.
5. Measure the recommended amount of liquid chemical.
6. Carefully pour the liquid chemical into the tank.
7. Screw the tank cap back onto the sprayer, making sure it is tightened securely.

Spray solutions may be premixed and poured into the sprayer.

NOTICE: If using a measuring container to hold the liquid, be sure to thoroughly clean and rinse the container after use. If premixing the spray solution, rinse the container used for mixing.

NOTICE: It is important to thoroughly clean the sprayer after each use. Allowing liquid to remain in an idle sprayer for an extended period of time may cause its moving pieces and connectors to seize up.

ATTACHING/DETACHING THE BATTERY PACK

Use only with EGO's battery packs and chargers listed in Fig. A2.

Refer to corresponding battery packs and chargers manuals for more details.

Fully charge before first use.

1. Raise the battery compartment cover by lifting the front of the cover (Fig. D1).
2. **To attach,** Align the battery ribs with the mounting slots in one and press the battery pack down until you hear a "click" (Fig. D1).
3. **To detach,** depress the battery-release button and pull the battery pack out (Fig. D2).
4. Close the battery compartment cover.

⚠ WARNING: Always be aware for the location of your feet, children, or pets when pressing the battery-release button. Serious injury could result in if the battery pack falls. NEVER remove the battery pack at a high location.

⚠ WARNING: Make sure that the latch on the sprayer snaps in place, the battery pack is secured to the sprayer, and the battery compartment cover is fully closed before beginning the operation. Failure to securely seat the battery pack could cause the battery pack to fall out, resulting in serious personal injury.

⚠ WARNING: To avoid serious personal injury, always remove the battery pack and keep hands clear of the control handle when lifting or transporting the sprayer.

POSITIONING THE BACKPACK SPRAYER

⚠ WARNING: Dress properly to reduce the risk of injury when operating this appliance. Do not wear loose clothing or jewelry. Wear eye protection. Wear heavy, long pants, boots and gloves. Do not wear short pants, sandals or go barefoot.

Before using the backpack sprayer, make sure that the operator is wearing eye protection and proper clothing and can maintain a secure and balanced footing.

To Adjust the Support Harness

1. Put your arms through the backpack straps to support the sprayer on your back.
2. Temporarily adjust both shoulder straps to comfortable positions (Fig. E1), making sure that your elbow is comfortable.
3. Snap the chest buckle and adjust the chest strap length if necessary (Fig. E2).
4. Snap the waist buckle and adjust the waist strap length so that the backpack is securely supported by your hips (Fig. E3 & E4).

NOTE: The backpack shouldn't sit too high on your back; it should be positioned closer to your hips than to your shoulders.

⚠ WARNING: When emergency occurs, release the chest and waist buckles immediately to take off the backpack strap at each side. This is a quick release method.

5. Readjust the shoulder straps for security and comfort. Make sure that the backpack sits securely on your back, with the weight supported by the waist strap, and without excess movement when you move (Fig. E5).

6. Insert any extra length of the strap around the waist into the elastic on both sides (Fig. E6).
7. To remove the backpack from your back, just press the waist and chest buckles to release them and lower the sprayer (Fig. E7).

STARTING/STOPPING THE SPRAYER (FIG. F)

Speed Dial

1. To increase the flow rate, turn the speed dial clockwise.

F-1	Speed Dial	F-3	ON/OFF Trigger
F-2	Lock-on Lever		

2. To decrease the flow rate, turn the speed dial counterclockwise.
3. The sprayer will stop if you keep turning the dial to the "OFF" position.

⚠ WARNING: To prevent unintentional starting, turn the speed dial to the off position (red dot on the dial points toward the spray wand).

⚠ WARNING: Before storing the machine, leaving it for a long time, or replacing the battery pack, always turn the speed dial to the off position (red dot on the dial points toward the spray wand).

ON/OFF Trigger

1. Depress the ON/OFF trigger to turn on the sprayer.
2. Release the trigger to stop the flow.

Lock-On Lever

The lock-on lever is convenient when spraying for an extended period of time or when covering a large area.

1. To lock the ON/OFF trigger on, press the lock-on lever after squeezing the trigger.
2. To release the ON/OFF trigger, pull the lock-on lever.

NOTICE: Make sure the trigger is not locked on before inserting the battery pack into the sprayer.

ADJUSTING AND CHANGING THE NOZZLES

⚠ WARNING: To prevent serious personal injury, remove the battery pack before adjusting or changing nozzles.

The sprayer comes with four nozzles: Adjustable nozzle, fan nozzle, shower nozzle, and foaming nozzle. Change the nozzle before you start working to suit the task at hand.

Adjustable nozzle (Fig. G1): Spot spraying flower beds, walkways, driveways, patios, and around trees and shrubs. Edging along fences, driveways, and walkways. Killing brush.

Fan nozzle (Fig. G3): Flat spray for very broad coverage and higher viscosity liquids. Preparing large areas for planting.

G-1	Fan Nozzle	G-3	Foaming Nozzle
G-2	Shower Nozzle		

Shower nozzle (Fig. G3): Puts out higher flow of water for watering and treating plants.

Foaming nozzle (Fig. G3): Visibly marks treated weeds. Spot spraying weeds in lawn, around flower beds, trees, and shrubs. Edging along fences, driveways, and walkways.

The adjustable nozzle can be adjusted between stream and spray (Fig. G1).

1. Turn the knurled (textured) part of the nozzle counterclockwise for stream.
2. Turn the knurled (textured) part of the nozzle clockwise for spray.

Unscrew the whole nozzle counterclockwise to remove and change nozzle (Fig. G2).

Flow rate of different nozzles coming with the sprayer:

	Nominal Flow Rate (L/min)	Maximum Working Pressure (L/min)	Optimum Working Pressure (L/min)
Adjustable Nozzle	2.3	2.7	2.4
Fan Nozzle	2.3	2.7	2.4
Shower Nozzle	2.3	2.9	2.7
Foaming Nozzle	2.3	2.7	2.4

SPRAYING HOME-AND-GARDEN CHEMICALS (FIG. H)

⚠ WARNING: Never point the nozzle of the wand at yourself or others.

⚠ WARNING: Never smoke, eat, or drink while operating the sprayer.

⚠ WARNING: Never spray in the direction of people or animals; always spray downwind.

⚠ WARNING: Risk of fire or explosion. Spray area must be well-ventilated and away from sparks or flames.

1. Install the battery pack.
2. Turn the speed dial to set a desired flow rate.
3. Aim the sprayer nozzle directly at the plants or objects you wish to spray.

NOTE: Make sure to stand far enough from the object being sprayed to prevent the spray from splashing back onto you.

4. Depress the trigger to start the sprayer.
5. Release the trigger to stop the sprayer.
6. Always drain and clean the tank after every use as directed in the **"MAINTENANCE"** section.

OPERATING TIPS

- Adjust the shoulder straps of the harness, so that the sprayer sits above your waist and the tank is close against your back.
- Avoid spraying on windy days. Spray can be accidentally blown onto plants or objects that should not be sprayed.
- Spray in the early morning or late afternoon, especially in warmer weather. Excessive heat can evaporate the spray before it settles.

MAINTENANCE

⚠ WARNING: When servicing, use only identical replacement parts. Use of any other parts may create a hazard or cause product damage. To ensure safety and reliability, all repairs should be performed by a qualified service technician.

⚠ WARNING: To avoid serious personal injury, remove the battery pack from the sprayer before servicing, cleaning, changing nozzles, performing any maintenance or when the sprayer is not in use. A battery-operated sprayer with the battery pack inserted is always on and can start accidentally.

GENERAL MAINTENANCE

All sprayer service, other than the items listed in these maintenance instructions, should be performed by a qualified service technician.

CLEANING

Avoid using solvents when cleaning plastic parts. Most plastics are susceptible to damage from various types of commercial solvents and may be damaged by their use. Use clean cloth to remove dirt, dust, oil, grease, etc.

⚠ WARNING: Do not at any time let brake fluids, gasoline, petroleum-based products, penetrating oils, etc., come in contact with plastic parts. Chemicals can damage, weaken, or destroy plastic, which may result in serious personal injury.

⚠ WARNING: When cleaning the sprayer, DO NOT immerse it in water or other liquids.

⚠ WARNING: Always store and dispose of chemicals properly. Disposal of contaminated rinse water should be performed according to local ordinances and bylaws.

- If there is any liquid left in the tank after spraying, drain the tank before cleaning.
- Always use only a soft, dry cloth to clean outside of the tank; never use detergent or alcohol.
- Fill the tank about one-third full with clean water. Spray until the tank has been emptied. Make sure to direct the spray toward an area that will not be damaged by the spray solution.
- Refill and repeat the procedure with clean water. It may be necessary to rinse the tank more than once, then drain again as directed above.
- Allow all pieces to dry completely before reassembling and storing the unit.

NOZZLE MAINTENANCE

⚠ WARNING: Ensure that all nozzle maintenance is performed properly to prevent water leaks. The leaks can result in a slippery surface creating a slip and fall hazard or cause property damage.

Irregular spray patterns or leakage may be the result of a clogged or dirty nozzle.

1. Turn off the sprayer and remove the battery pack.
2. **To clear the adjustable nozzle (Fig. I1):**
 - a. Unscrew and remove the knurled (textured) part of the adjustable nozzle.

- b. Push a thin wire (not included) through the cross holes to clear any debris. If necessary, rinse the cross holes and nozzle with clean water.
- c. Wipe the nozzle with a clean dry cloth and reinstall the nozzle.

3. To clear the fan and foaming nozzle (Fig. I2):

- a. Unscrew and remove the nozzle from the spray wand.
- b. Push a thin wire (not included) through the hole to clear any debris. If necessary, rinse the nozzle with clean water.
- c. Wipe the nozzle with a clean dry cloth and reinstall the nozzle.

TRANSPORTATION AND STORING (FIG. J)

- Remove the battery pack.
- Turn the speed dial to the off position (red dot on the dial points toward the spray wand).
- Clean the sprayer thoroughly.
- Empty the tank, hose and spray wand.

NOTICE: Before storage, especially before winterization, be sure to empty the tank, hose and spray wand to prevent the machine from freezing and damage, which will cause it to fail to start after wintering.

- Secure the spray wand in the base and the storage clip.

J-1	Storage Clip	J-3	Carrying Handle
J-2	Base		

- Lift the sprayer by the carrying handle or carry it using the support harness when transporting it.
- Store the sprayer indoors, in a well-ventilated place.
- Keep away from corrosive agents such as garden chemicals and de-icing salts.

Protecting the environment



Do not dispose of electrical equipment, used battery and charger into household waste!

Take this product to an authorized recycler and make it available for separate collection. Electric tools must be returned to an environmentally compatible recycling facility.

TROUBLESHOOTING

PROBLEM	CAUSE	SOLUTION
The sprayer does not start.	<ul style="list-style-type: none"> ■ The battery pack is not fully inserted into the battery compartment. ■ No electrical contact between the sprayer and battery pack. ■ The battery pack charge is depleted. ■ The battery pack or sprayer is too hot. 	<ul style="list-style-type: none"> ■ Check if the battery pack is fully inserted into the battery compartment. ■ Remove the battery pack, check contacts and reinstall the battery pack. ■ Charge the battery pack. ■ Turn off the sprayer and allow the battery pack or sprayer to cool until the temperature drops to the recommended operating temperature range.
The motor runs but no spray comes out of the nozzle.	<ul style="list-style-type: none"> ■ Low liquid level in the tank. ■ The nozzle got clogged during operation. 	<ul style="list-style-type: none"> ■ Check and ensure that there is enough liquid in the tank. ■ Clean the nozzle(s) according to the “NOZZLE MAINTENANCE” chapter and reassemble as instructed.
Liquid leaks from between the control handle and the wand.	<ul style="list-style-type: none"> ■ The end cap of the wand is loose. 	<ul style="list-style-type: none"> ■ Tighten the end cap.
Liquid leaks from between the spray wand and the nozzle.	<ul style="list-style-type: none"> ■ The nozzle is loose or incorrectly installed. 	<ul style="list-style-type: none"> ■ Reinstall the nozzle correctly and tightly according to the “ADJUSTING AND CHANGING THE NOZZLES” chapter.

WARRANTY

EGO WARRANTY POLICY

Please visit the website egopowerplus.eu for full terms and conditions of the EGO Warranty policy.

DE LESEN SIE ALLE ANWEISUNGEN!



LESEN SIE DIE BETRIEBSANLEITUNG

⚠️ WARNUNG: Um die Sicherheit und Zuverlässigkeit zu gewährleisten, sollten alle Reparaturen nur von qualifizierten Servicetechnikern durchgeführt werden.

⚠️ WARNUNG: Vor der Benutzung der Maschine sollten Sie alle Sicherheitsanweisungen in dieser Bedienungsanleitung gelesen und verstanden haben. Das gilt auch für die Sicherheits- und Gefahrenzeichen wie „VORSICHT“, „WARNUNG“ und „ACHTUNG“. Die Nichtbeachtung der aufgeführten Hinweise kann zu Stromschlägen, Bränden und/oder schweren Verletzungen führen.

BEWAHREN SIE ALLE WARNHINWEISE UND BEDIENUNGSANWEISUNGEN FÜR NACHSCHLAGEZWECKE AUF.

WARNSYMBOLE

⚠️ WARNUNG: Beim Betrieb von Elektrowerkzeugen besteht die Gefahr, dass Fremdkörper in Ihre Augen geschleudert werden und Sie dadurch schwerwiegende Augenschäden davontragen. Tragen Sie immer eine Schutzbrille, wenn möglich mit Seitenschutz oder, falls nötig, einen vollen Gesichtsschutz, bevor Sie Arbeiten mit dem Elektrowerkzeug verrichten. Wir empfehlen Ihnen, einen Gesichtsschutz über Ihrer eigenen Brille oder eine herkömmliche Schutzbrille mit Seitenschutz zu tragen.



Sicherheitshinweis



Um das Verletzungsrisiko zu verringern, muss der Benutzer die Bedienungsanleitung vor der Benutzung des Gerätes gelesen und verstanden haben.



Schutzkleidung tragen.



Unbefugte Personen beim Sprühen fernhalten.



Gesichtsschutz tragen.



Dieses Produkt erfüllt die einschlägigen CE-Richtlinien.



Garantierter Schalleistungspegel. Geräuschemission an die Umgebung gemäß Richtlinie der Europäischen Gemeinschaft.



Dieses Produkt erfüllt die einschlägigen Vorschriften in GB.



Elektrische Altgeräte dürfen nicht im Hausmüll entsorgt werden. Bringen Sie die Maschine zu einem Wertstoffhof bzw. zu einer amtlichen Sammelstelle.

IPX4 Schutz vor Spritzwasser



Gleichstrom

/min pro Minute

V Spannung

n_0 Leerlaufdrehzahl

mm Millimeter

ALLGEMEINE SICHERHEITSHINWEISE

⚠️ WARNUNG: Beachten Sie alle Sicherheitshinweise, Anweisungen, Abbildungen und technischen Daten, die dieser Maschine beiliegen. Die Nichtbeachtung der unten aufgeführten Anweisungen kann zu Stromschlägen, Bränden und/oder schweren Verletzungen führen.

Bewahren Sie alle Warn- und Bedienhinweise für Nachschlagezwecke auf.

Der Begriff „Gerät“ in den Warnhinweisen bezieht sich auf netzbetriebene (kabelgebundene) oder akkubetriebene (kabellose) Geräte.

SICHERHEIT IM ARBEITSBEREICH

- Halten Sie den Arbeitsbereich stets sauber und gut beleuchtet. Unaufgeräumte oder dunkle Bereiche können Unfälle provozieren.
- Das Gerät darf nicht in einer explosionsgefährdeten Atmosphäre eingesetzt werden, wie z.B. in der Nähe zündfähiger Flüssigkeiten, Gase oder Stäube. Geräte erzeugen Funken, die Stäube oder Dämpfe entzünden können.
- Halten Sie Kinder und Schaulustige während des Maschinenbetriebs fern. Ablenkungen können dazu führen, dass Sie die Kontrolle verlieren.

ELEKTRISCHE SICHERHEIT

- Der Netzstecker der Maschine muss in die Steckdose passen. Der Netzstecker darf unter keinen Umständen modifiziert werden. Keine Adapterstecker an geerdeten Maschinen benutzen. Nicht modifizierte Stecker und passende Steckdosen reduzieren die Stromschlaggefahr.
- Vermeiden Sie den Körperkontakt zu geerdeten Flächen, wie zum Beispiel Rohrleitungen, Heizkörpern, Herden und Kühlschränken. Es besteht erhöhte Stromschlaggefahr, wenn Ihr Körper geerdet ist.
- Maschinen von Regen oder Nässe fernhalten. Wenn Wasser in die Maschine eindringt, besteht erhöhte Stromschlaggefahr.
- Das Netzkabel darf nicht zweckentfremdet werden. Das Netzkabel darf nicht zum Tragen, Ziehen oder Herausziehen des Elektrowerkzeugs aus der Steckdose verwendet werden. Das Netzkabel muss vor Hitze, Öl, scharfen Kanten oder beweglichen Teilen ferngehalten werden. Durch beschädigte oder verknotete Kabel besteht erhöhte Stromschlaggefahr.
- Bei Maschinenbetrieb im Freien muss ein für den

Außeneinsatz geeignetes Verlängerungskabel verwendet werden. Die Stromschlaggefahr verringert sich bei Gebrauch eines Netzkabels, das für den Einsatz im Freien geeignet ist.

- Wenn der Betrieb des Geräts an einem feuchten Ort unvermeidbar ist, muss die Energieversorgung durch eine Fehlerstromschutzeinrichtung (FI-Schalter) abgesichert sein. Die Verwendung einer Fehlerstromschutzeinrichtung reduziert die Stromschlaggefahr.

PERSONENSICHERHEIT

- Seien Sie wachsam, geben Sie darauf Acht, was Sie tun, und benutzen Sie Ihren gesunden Menschenverstand beim Betrieb einer Maschine. Benutzen Sie die Maschine nicht, wenn Sie müde sind oder unter dem Einfluss von Drogen, Alkohol oder Medikamenten stehen. Ein Moment der Unachtsamkeit kann beim Maschinenbetrieb zu ernsthaften Verletzungen führen.
- Tragen Sie eine persönliche Schutzausrüstung. Tragen Sie immer einen Augenschutz. Durch eine für die jeweiligen Bedingungen geeignete Schutzausrüstung wie etwa eine Staubschutzmaske, rutschfeste Schuhe, Helm oder Gehörschutz lässt sich die Verletzungsgefahr verringern.
- Ungewollten Anlauf verhindern. Vor dem Anschließen an eine Steckdose und/oder einen Akku sowie vor dem Aufnehmen oder Transportieren der Maschine immer kontrollieren, ob der Hauptschalter in ausgeschalteter Position ist. Unfälle sind vorprogrammiert, wenn Sie Maschinen mit einem Finger am Hauptschalter tragen oder Elektrowerkzeuge mit eingeschaltetem Hauptschalter an eine Steckdose anschließen.
- Ziehen Sie vor dem Einschalten der Maschine Einstellschlüssel oder Schraubenschlüssel ab. Wird ein Schraubenschlüssel oder Schlüssel am rotierenden Maschinenteil gelassen, besteht Verletzungsgefahr.
- Nicht überstrecken. Achten Sie stets auf einen festen Stand und halten Sie das Gleichgewicht. Dies ermöglicht in unerwarteten Situationen eine bessere Kontrolle über die Maschine.
- Tragen Sie angemessene Kleidung. Tragen Sie keine weite Kleidung oder Schmuck. Halten Sie Ihr Haar und Ihre Kleidung von beweglichen Teilen fern. Weite Kleidung, Schmuck oder langes Haar können sich in den beweglichen Teilen verfangen.
- Wenn Komponenten zum Anschluss an eine Absauganlage und an Auffangvorrichtungen mitgeliefert werden, achten Sie darauf, dass diese

ordnungsgemäß befestigt und benutzt werden.

Die Verwendung einer Staubauffangvorrichtung kann Gefahren durch Staub reduzieren.

- **Auch wenn Sie sich wegen des häufigen Gebrauchs mit der Maschine auskennen, sollten Sie sich nicht zu einer gewissen Nachlässigkeit verleiten und die Grundsätze der Maschinensicherheit außer Acht lassen.** Eine fahrlässige Handlung kann bereits im Bruchteil einer Sekunde zu schweren Verletzungen führen.

NUTZUNG UND PFLEGE DER MASCHINE

- **Nicht zu viel Druck auf die Maschine ausüben. Stets die richtige Maschine für die jeweiligen Arbeiten benutzen.** Durch die passende Maschine lassen sich die Arbeiten besser und sicherer in dem jeweils vorgesehenen Tempo erledigen.
- **Verwenden Sie die Maschine nicht, wenn sie sich mit dem Schalter weder ein- noch ausschalten lässt.** Eine Maschine, die sich nicht mehr ein- oder ausschalten lässt, ist gefährlich und muss repariert werden.
- **Ziehen Sie den Netzstecker aus der Steckdose bzw. nehmen Sie den Akku von der Maschine ab, sofern dies möglich ist, bevor Sie Einstellungen vornehmen, das Zubehör wechseln oder die Maschine verstauen.** Diese vorbeugenden Sicherheitsmaßnahmen verringern das Risiko eines unbeabsichtigten Anlaufes.
- **Unbenutzte Maschinen sollten nicht in Reichweite von Kindern aufbewahrt werden. Personen, die das Maschine oder diese Anleitung nicht kennen, sollte die Benutzung der Maschine untersagt werden.** In den Händen ungeschulter Benutzer sind Maschinen gefährlich.
- **Warten Sie Maschinen und Zubehör. Achten Sie auf falsch ausgerichtete oder fest sitzende Teile, Bruchstellen und sonstige Umstände, die den Maschinenbetrieb beeinträchtigen können. Lassen Sie die Maschine bei Beschädigung vor dem Gebrauch reparieren.** Viele Unfälle entstehen durch schlecht gewartete Geräte.
- **Halten Sie Schneidwerkzeuge scharf und sauber.** Sachgemäß gewartete Schneidwerkzeuge mit scharfen Schneiden neigen weniger zum Festfahren und sind leichter zu kontrollieren.
- **Benutzen Sie die Maschine, Zubehör, Maschinenteile usw. gemäß diesen Anweisungen und berücksichtigen Sie dabei die Arbeitsbedingungen und die auszuführenden Arbeiten.** Die Verwendung der Maschine für andere als die vorgesehenen Arbeiten kann zu einer gefährlichen Situation führen.
- **Halten Sie die Griffe und Griffflächen trocken, sauber und frei von Öl und Fett.** Rutschige Griffe und Griffflächen beeinträchtigen die sichere Handhabung der Maschine und führen in unerwarteten Situationen zum Verlust der Kontrolle über das Maschine.

BENUTZUNG UND PFLEGE DES MASCHINENAKKUS

- **Laden Sie den Akku nur mit dem vom Hersteller vorgegebenen Ladegerät auf.** Ein Ladegerät das für einen bestimmten Akkutyp geeignet ist, kann bei der Benutzung eines anderen Akkus zu einer Brandgefahr werden.
- **Verwenden Sie die Maschine nur mit den eigens dafür vorgesehenen Akkus.** Bei Verwendung anderer Akkus besteht Verletzungs- und Brandgefahr.
- **Wenn der Akku nicht benutzt wird, halten Sie ihn von anderen metallischen Gegenständen fern, wie etwa Büroklammern, Münzen, Schlüssel, Nägel, Schrauben oder anderen kleinen Metallgegenständen, die eine Verbindung zwischen den Polen herstellen können.** Das Kurzschließen der Pole kann Verbrennungen oder Brände verursachen.
- **Bei unsachgemäßer Anwendung kann Flüssigkeit aus dem Akku austreten; Kontakt vermeiden. Falls Sie versehentlich mit Akkusäure in Berührung gekommen sind, spülen Sie mit Wasser. Falls Akkusäure in die Augen geraten ist, suchen Sie zudem einen Arzt auf.** Aus dem Akku austretende Flüssigkeit kann Reizungen oder Verätzungen verursachen.
- **Benutzen Sie keine beschädigten oder modifizierten Akkus oder Maschinen.** Beschädigte oder umgebaute Akkus können sich unvorhergesehen verhalten, wodurch möglicherweise ein Brand, eine Explosion oder Verletzungen verursacht werden.
- **Akkus oder Maschinen vor Feuer oder extremen Temperaturen schützen.** Feuer oder Temperaturen über 130 °C können eine Explosion verursachen.
- **Befolgen Sie alle Ladeanweisungen und laden Sie den Akku oder die Maschine nicht außerhalb des Temperaturbereichs auf, der in der Anleitung angegebenen ist.** Das unsachgemäße Aufladen oder Laden außerhalb des angegebenen Temperaturbereichs kann den Akku beschädigen und die Brandgefahr erhöhen.

REPARATUREN

- **Lassen Sie die Maschine nur von qualifiziertem Fachpersonal und nur mit Original-Ersatzteilen**

reparieren. Dadurch wird sichergestellt, dass die Sicherheit die Maschine gewahrt bleibt.

- **Reparieren Sie unter keinen Umständen beschädigte Akkus.** Akkus sollten ausschließlich vom Hersteller selbst oder einer autorisierten Reparaturwerkstatt repariert werden.

SICHERHEITSHINWEISE FÜR AKKU-SPRITZGERÄT

⚠ VORSICHT: Es besteht Brand- und Explosionsgefahr. Versprühen Sie keine brennbaren Flüssigkeiten wie z. B. Benzin.


⚠ WARNUNG:

- **Zur Vermeidung von Verletzungen stets Augen-, Atem- und Hautschutz tragen.**
- **Setzen Sie das Gerät keinem Regen aus, um die Gefahr eines Stromschlags zu vermeiden.**
- **Nur für den Privatgebrauch im Freien.**
- **Versprühen Sie keine entzündlichen oder brennbaren Flüssigkeiten auf engem Raum.** Wenn eine brennbare Flüssigkeit versprüht wird, besteht Brand- oder Explosionsgefahr, insbesondere auf engem Raum.
- **Der Sprühbereich muss gut belüftet sein.**
- **Rauchen Sie nicht beim Sprühen und sprühen Sie nicht an Orten, an denen Funken oder Rauch vorkommen.**
- **Nehmen Sie vor dem Befüllen des Tanks immer den Akku heraus. Wischen Sie verschüttete Flüssigkeiten auf, bevor Sie den Akku einsetzen.** Wenn Sie diese Regel befolgen, verringern Sie das Risiko eines Stromschlags und des Eindringens korrosiver Flüssigkeiten in den Akku, was zu einem Versagen des Akkus führen kann, einschließlich eines Kurzschlusses, der Rauch, Feuer und/oder schwere Verletzungen zur Folge haben kann.
- **Achten Sie darauf, dass keine leitenden oder korrosiven Flüssigkeiten in den Akku gelangen.** Wenn leitende oder korrosive Flüssigkeiten über den Akku verschüttet werden, beachten Sie die Anweisungen in der Bedienungsanleitung Ihres Akkus.
- **Lesen Sie vor der Verwendung von Sprühmitteln in diesem Spritzgerät das Etikett auf dem Originalbehälter des Mittels sorgfältig durch und befolgen Sie die dortigen Anweisungen.** Einige Spritzmittel sind gefährlich und sollten nicht in diesem Gerät verwendet werden, da sie das Gerät beschädigen und schwere Verletzungen oder Sachschäden verursachen können.
- **Informieren Sie sich über die Inhaltsstoffe der Chemikalien, die Sie versprühen wollen. Lesen Sie alle Sicherheitsdatenblätter (SDS) und Behälteretiketten, die mit der Chemikalie geliefert werden.** Beachten Sie die Sicherheitshinweise des Chemikalienherstellers.
- **Stromschlagrisiko.** Sprühen Sie niemals auf Steckdosen.
- **Gießen Sie keine heißen oder kochenden Flüssigkeiten in den Tank.** Diese können die Rohre oder den Tank angreifen oder beschädigen.
- **Vermeiden Sie das Sprühen an windigen Tagen.** Der Sprühnebel kann versehentlich auf Pflanzen oder Gegenstände geblasen werden, die nicht besprüht werden sollten.
- **Lagern Sie das Spritzgerät mit leerem Tank in einem sicheren, gut belüfteten Raum.**
- **Versprühen Sie kein Bleichmittel oder Wasserstoffperoxid.**
- **Versprühen Sie keine Chemikalien auf Alkoholbasis.**
- **Versprühen Sie keine pulverförmigen oder scheuernden Chemikalien.**
- **Versprühen Sie keine ätzenden (alkalischen) oder selbsterhitzenden Flüssigkeiten.**
- **Verwenden Sie keine umweltgefährdenden Chemikalien, die nach den örtlichen Vorschriften nicht zulässig sind.**
- **Richten Sie die Düse des Spritzgeräts nicht auf Menschen oder Haustiere.**
- **Kindern und Personen mit eingeschränkter körperlicher, sensorischer oder geistiger Fähigkeit oder mit mangelnden Erfahrungen und Fachkenntnissen oder Personen, die die vorliegenden Anweisungen nicht kennen, muss die Nutzung des Geräts untersagt werden.**
- **Für Unfälle, Verletzungen oder Sachschäden, die Dritte betreffen, ist der Bediener oder Nutzer des Geräts verantwortlich.**
- **Das Spritzgerät darf nur mit Pflanzenschutzmitteln verwendet werden, die von den örtlichen/nationalen Behörden für Pflanzenschutzmittel zur Verwendung mit Rückenspritzgeräten zugelassen sind.**
- **Injektionsgefahr.** Nicht direkt auf die Haut sprühen. Halten Sie alle Körperteile von dem Sprühmuster von.

- Lassen Sie nach dem Gebrauch des Spritzgeräts keine Rückstände oder Sprühmittel im Tank zurück. Nach jedem Gebrauch reinigen.
- Um die Brand- oder Explosionsgefahr zu verringern, verwenden Sie eine Flüssigkeit mit einem Flammpunkt von über 60°C.
- Zur Vermeidung von Stromschlaggefahr das Spritzgerät nicht in Wasser oder andere Flüssigkeiten tauchen. Das Spritzgerät nicht an einer Stelle ablegen oder aufbewahren, an der es in eine Badewanne oder ein Waschbecken fallen oder hineingezogen werden kann.
- Warten Sie dieses Produkt. Inspizieren Sie das Innere und Äußere des Spritzgeräts gründlich und überprüfen Sie die Bestandteile vor jedem Gebrauch. Überprüfen Sie den Tank auf Risse und Beschädigungen, Lecks, verstopfte Düsen und fehlende oder beschädigte Teile. Wenn das Produkt beschädigt ist, lassen Sie es vor der Verwendung reparieren. Viele Unfälle werden durch schlecht gewartete Produkte verursacht.
- Stellen Sie den Betriebsschalter in die Ausschaltposition, wenn das Spritzgerät nicht benutzt wird und bevor Sie es warten oder reinigen.
- Trennen Sie den Akku vom Gerät, bevor Sie das Spritzgerät entleeren, reinigen oder lagern. Solche vorbeugenden Sicherheitsmaßnahmen verringern das Risiko eines unbeabsichtigten Starts.
- Tragen Sie immer einen Augenschutz mit Seitenschutz oder Schutzbrille. Andernfalls kann Flüssigkeit in Ihre Augen gelangen, was zu schweren Verletzungen führen kann.
- Schützen Sie Ihre Lungen. Tragen Sie eine zugelassene Sicherheitsausrüstung wie Gesichtsmasken, die speziell dafür ausgelegt sind, Sprühnebel herauszufiltern, Handschuhe und andere geeignete Schutzausrüstung. Wenn Sie diese Regel beachten, können Sie die Gefahr ernsthafter Verletzungen verringern. Befolgen Sie die Sicherheitsanweisungen und Richtlinien des Chemikalienherstellers, die auf dem SDS-Blatt aufgeführt sind.
- Chemikalien und chemische Dämpfe können gefährlich sein und zu schweren Verletzungen, bleibenden Schäden oder zum Tod führen, wenn sie verschluckt, eingeatmet oder in die Augen oder auf die Haut gespritzt werden. Befolgen Sie die Sicherheitsanweisungen und Richtlinien des Chemikalienherstellers, die auf dem SDS-Blatt aufgeführt sind.
- Um das Verletzungsrisiko zu mindern, ist eine strikte Überwachung notwendig, wenn das Spritzgerät in der Nähe von Kindern benutzt wird.
- Berühren Sie keine beweglichen Teile.
- Verwenden Sie nur Zusatzgeräte, die vom Hersteller empfohlen oder verkauft werden.
- Ungewollten Anlauf verhindern. Kontrollieren Sie vor dem Anschließen des Akkus, vor dem Aufnehmen oder Transportieren des Geräts immer, ob sich der Betriebsschalter in Ausschaltposition befindet. Unfälle sind vorprogrammiert, wenn Sie das Gerät mit einem Finger am Betriebsschalter tragen oder das Gerät mit Betriebsspannung versorgen, während sich der Betriebsschalter in Einschaltposition befindet.

HEBEN SIE DIESE ANLEITUNG AUF

TECHNISCHE DATEN

Nennspannung	56 V 
Max. Tank-Fassungsvermögen	15 l
Max. Betriebsdruck	24 bar
Max. Sprühmittelfördermenge (mit verstellbarer Düse, Sprühmodus)	2,3 l/min
Durchmesser des Einlassfilters	35 mm
Maschenweite des Einlassfilters	0,35 mm
Durchmesser des Auslassfilters	124 mm
Gewicht (Trockengewicht, ohne Akku)	7,6 kg
Empfohlene Betriebstemperatur	5 °C - 40 °C
Empfohlene Lagertemperatur	-20°C - 70°C
Empfohlene Ladetemperatur	5°C - 40°C

⚠️ WARNUNG: Vergewissern Sie sich vor dem Einsatz eines Rückenspritzgeräts, dass das Gesamtgewicht

einschließlich der Maschine, der Flüssigkeit im Tank, der Düse und des verwendeten Akkus 25 kg nicht überschreitet, um Verletzungen und Gleichgewichtsverlust zu vermeiden.

- Der angegebene Vibrationsgesamtwert wurde nach einem Standard-Prüfverfahren gemessen und kann zum Vergleich mit einem anderen Werkzeug herangezogen werden.
- Der angegebene Vibrationsgesamtwert kann auch zur vorläufigen Risikobewertung herangezogen werden.

HINWEIS: Die beim Einsatz des Elektrowerkzeugs entstehenden Istvibrationen können von dem angegebenen Wert abweichen. Zum Schutz des Benutzers sollten Handschuhe und ein Gehörschutz während des Geräteeinsatzes getragen werden.

PACKLISTE (ABB. A1)

BESCHREIBUNG

BESCHREIBUNG IHRES SPRITZGERÄTS (ABB. A1)

1. Schlauch
2. Akkufach
3. Tank
4. Tankdeckel
5. Tragegriff
6. Verstellbare Tragegurte
7. Drehzahlschalter
8. Feststellhebel
9. Auslöser
10. Bediengriff
11. Schutzkappe
12. Sprühlanze
13. Einstellbare Düse
14. Flachstrahldüse
15. Schaumdüse
16. Brause

MONTAGE

⚠️ WARNUNG: Gerät nicht in Betrieb setzen, wenn Teile schadhaft sind oder fehlen. Fehlende oder beschädigte Teile zuerst ersetzen. Die Verwendung dieses Produkts mit beschädigten oder fehlenden Teilen kann zu schweren Verletzungen führen.

⚠️ WARNUNG: Nicht versuchen, das Gerät umzubauen oder Zubehör zu produzieren, das für dieses Gerät nicht empfohlen wird. Derartige Umbauten oder Veränderungen stellen eine Zweckentfremdung dar und können zu schweren Verletzungen führen.

⚠️ WARNUNG: Um einen unbeabsichtigten Geräteanlauf bei der Montage von Teilen, bei Einstellarbeiten, beim Reinigen oder bei Nichtgebrauch zu verhindern, muss der Akku von der Maschine abgenommen werden. Andernfalls besteht schwere Verletzungsgefahr.

- Dieses Produkt muss zusammengebaut werden.
- Nehmen Sie das Produkt und alle Zubehörteile vorsichtig aus dem Karton. Vergewissern Sie sich, dass alle in der „Packliste“ aufgeführten Teile enthalten sind.
- Prüfen Sie das Produkt sorgfältig, um sicherzustellen, dass es während des Versands zu keinen Brüchen oder Beschädigungen gekommen ist.
- Werfen Sie das Verpackungsmaterial nicht weg, bis Sie das Produkt sorgfältig inspiziert und ausreichend lange damit gearbeitet haben.
- Wenn Teile beschädigt sind oder fehlen, dann bringen Sie das Produkt bitte zum Verkäufer zurück.

ANSCHLUSS DER SPRÜHLANZE AN DEN BEDIENGRIFF

1. Stecken Sie die Endkappe der Sprühlanze auf den Bediengriff und ziehen Sie sie im Uhrzeigersinn fest (Abb. B).
2. Ziehen Sie an der Sprühlanze, um sicherzustellen, dass sie richtig befestigt ist.

BETRIEB

⚠️ WARNUNG: Auch wenn Sie sich mit dem Gerät auskennen, sollten Sie sich nicht zu einer gewissen Nachlässigkeit verleiten lassen. Denken Sie daran, dass ein kurzer Moment der Unachtsamkeit zu ernsthaften Verletzungen führen kann.

⚠️ WARNUNG: Verwenden Sie eine Sicherheitsausrüstung. Schützen Sie Ihre Augen, Haut und Lunge beim Mischen, Abfüllen, Sprühen und Reinigen. Andernfalls kann es zu schweren Verletzungen und Sachschäden kommen.

⚠️ WARNUNG: Um schwere Eigenverletzungen zu verhindern, entfernen Sie den Akku aus dem Gerät,

bevor Sie das Gerät warten, reinigen, Anbauwerkzeuge auswechseln oder den Tank füllen bzw. leeren.

⚠️ WARNUNG: Verwenden Sie keine Anbauwerkzeuge oder Zubehörteile, die nicht vom Hersteller dieses Produkts empfohlen worden sind. Der Gebrauch von nicht empfohlenen Anbauwerkzeugen oder Zubehör kann zu schweren Verletzungen führen.

Inspizieren Sie das gesamte Produkt vor jeder Benutzung auf beschädigte, fehlende oder lockere Teile, wie z. B. Schrauben, Muttern, Stifte, Kappen usw. Alle Befestigungsmittel und Kappen festziehen und das Gerät erst betätigen, wenn alle beschädigten oder fehlenden Teile ersetzt wurden.

BESTIMMUNGSGEMÄSSE VERWENDUNG

Sie können dieses Produkt für die unten aufgeführten Zwecke einsetzen:

- Ausbringung von Düngemitteln und Bewässerung der Pflanzen;
- Versprühen von Herbiziden, Pestiziden und Fungiziden.

HINWEIS: Das Produkt ist nur für die Verwendung im Gartenbau und in der Landwirtschaft bestimmt.

HINWEIS: Das Gerät darf nur für den dafür vorgesehenen Zweck eingesetzt werden. Jede andere Verwendung gilt als Zweckentfremdung.

⚠️ WARNUNG: Unsachgemäße Anwendung von Chemikalien oder chemischen Lösungen kann zu SCHWEREN VERLETZUNGEN oder zum TOD führen. Befolgen Sie die Sicherheitsanweisungen und Richtlinien des Chemikalienherstellers, die auf dem SDS-Blatt aufgeführt sind.

FÜLLEN DES TANKS (Abb. C)

⚠️ WARNUNG: Befolgen Sie für Gebrauch, Reinigung und Lagerung stets die Anweisungen des Chemikalienherstellers auf dem Produktetikett. Kombinieren Sie keine Chemikalien. Reinigen Sie den Tank nach jedem Gebrauch gründlich, indem Sie die Anweisungen im Abschnitt „WARTUNG“ in diesem Handbuch befolgen. Chemikalien sollten außerhalb der Reichweite von Kindern aufbewahrt werden. Andernfalls kann es zu schweren Verletzungen kommen.

⚠️ WARNUNG: Um Verletzungen und Gleichgewichtsverluste zu vermeiden, stellen Sie sicher, dass die in den Tank eingefüllte Flüssigkeitsmenge das Gesamtgewicht des Spritzgeräts, einschließlich Maschine, Flüssigkeit im Tank und der verwendeten Düse und des

Akkus, nicht über 25 kg steigen lässt.

Die zu versprühenden flüssigen Chemikalien müssen so dünn wie Wasser sein. Dickflüssige Flüssigkeiten lassen sich nicht richtig versprühen. Überfüllen Sie den Tank nicht.

1. Entfernen Sie den Akku.
2. Schrauben Sie den Tankdeckel gegen den Uhrzeigersinn ab und nehmen Sie ihn vom Tank ab.
3. Stellen Sie das Spritzgerät auf eine ebene Fläche.
4. Füllen Sie den Tank mit der gewünschten Wassermenge.
5. Messen Sie die empfohlene Menge der flüssigen Chemikalie ab.
6. Gießen Sie die flüssige Chemikalie vorsichtig in den Tank.
7. Schrauben Sie den Tankdeckel wieder auf das Spritzgerät und vergewissern Sie sich, dass er fest angezogen ist.

Sprühlösungen können vorgemischt und in das Spritzgerät gefüllt werden.

HINWEIS: Wenn Sie einen Messbehälter für die Flüssigkeit verwenden, achten Sie darauf, den Behälter nach dem Gebrauch gründlich zu reinigen und auszuspülen. Wenn die Sprühlösung vorgemischt wird, spülen Sie den zum Mischen verwendeten Behälter aus.

HINWEIS: Es ist wichtig, das Spritzgerät nach jedem Gebrauch gründlich zu reinigen. Wenn Flüssigkeit über einen längeren Zeitraum in einem nicht genutzten Spritzgerät verbleibt, können sich die beweglichen Teile und Anschlüsse festfressen.

ANBRINGEN/ABNEHMEN DES AKKUS

Nur die in Abb. A2 aufgeführten EGO Akkus und Ladegeräte verwenden.

Weitere Einzelheiten finden Sie in den entsprechenden Anleitungen der Akkus und Ladegeräte.

Vor dem ersten Gebrauch voll aufladen.

1. Heben Sie den Deckel des Akkufachs an der Vorderseite des Deckels an (Abb. D1).
2. **Akku einsetzen:** Schieben Sie den Akku mit seinen Rippen in die Aussparungen des Akkufachs ein, und drücken Sie den Akku nach unten, bis er hörbar einrastet (Abb. D1).
3. **Akku abnehmen:** Drücken Sie die Akku-Entriegelungstaste, und ziehen Sie den Akku heraus (Abb. D2).

- Schließen Sie die Abdeckung des Akkufachs.

⚠️ WARNUNG: Vor dem Betätigen der Akku-Entriegelung auf die Position der Füße bzw. den Aufenthaltsort von Kindern oder Haustieren achten. Wenn der Akku herunterfällt, besteht schwere Verletzungsgefahr. Den Akku NIE in der Höhe abnehmen.

⚠️ WARNUNG: Vergewissern Sie sich, dass die Verriegelung am Spritzgerät einrastet, der Akku am Spritzgerät befestigt und die Abdeckung des Akkufachs vollständig geschlossen ist, bevor Sie mit dem Sprühen beginnen. Wenn der Akkupack nicht sicher eingesetzt wird, kann der Akkupack herausfallen, was zu schweren Verletzungen führen würde.

⚠️ WARNUNG: Um schwere Verletzungen zu vermeiden, nehmen Sie immer den Akku heraus und halten Sie die Hände vom Bediengriff fern, wenn Sie das Spritzgerät anheben oder transportieren.

POSITIONIERUNG DES RÜCKENSPRITZGERÄTS

⚠️ WARNUNG: Ziehen Sie geeignete Kleidung an, um die Verletzungsgefahr bei der Bedienung dieses Geräts zu verringern. Tragen Sie keine weite Kleidung oder Schmuck. Tragen Sie Augenschutz. Tragen Sie eine robuste lange Hose, Stiefel und Handschuhe. Tragen Sie keine kurze Hose, Sandalen oder gehen Sie barfuß.

Vergewissern Sie sich vor der Verwendung des Rückenspritzgeräts, dass der Bediener einen Augenschutz und angemessene Kleidung trägt, das Gleichgewicht halten und einen sicheren Stand einnehmen kann.

Einstellung der Tragegurte

- Hängen Sie sich das Tragegeschirr des Spritzgeräts wie einen Rucksack auf den Rücken.
- Ziehen Sie beide Schultergurte bequem fest (Abb. E1), so dass der Ellbogen gute Bewegungsfreiheit hat.
- Schließen Sie die Brustschnalle und passen Sie bei Bedarf die Länge des Brustgurts an (Abb. E2).
- Schließen Sie die Hüftschnalle und stellen Sie die Länge des Hüftgurts so ein, dass der Rucksack sicher von Ihren Hüften gestützt wird (Abb. E3 & E4).

ANMERKUNG: Das Tragegeschirr soll nicht zu hoch auf dem Rücken sitzen, sondern näher an den Hüften als an den Schultern.

⚠️ WARNUNG: Wenn ein Notfall eintritt, lösen Sie sofort die Brust- und Hüftschnallen, um den Rucksackgurt an jeder Seite zu entfernen. Dazu dient die

Schnellentriegelung.

- Stellen Sie die Schultergurte nach, damit sie sicher und bequem sind. Vergewissern Sie sich, dass das Tragegeschirr sicher auf Ihrem Rücken sitzt und beim Bewegen nicht rutscht und das Gewicht vom Hüftgurt getragen wird (Abb. E5).
- Stecken Sie den überschüssige Hüftgurtlänge in die Gummilösen auf beiden Seiten (Abb. E6).
- Zum Abnehmen des Rucksacks von Ihrem Rücken brauchen Sie lediglich die Schnallen des Hüft- und Brustgurts zu öffnen und das Spritzgerät ablegen (Abb. E7).

STARTEN/STOPPEN DES SPRITZGERÄTS (ABB. F)

Drehzahlschalter

- Um die Durchflussmenge zu erhöhen, drehen Sie den Drehzahlschalter im Uhrzeigersinn.

F-1	Drehzahlschalter	F-3	Auslöser
F-2	Feststellhebel		

- Um die Durchflussmenge zu verringern, drehen Sie den Drehzahlschalter gegen den Uhrzeigersinn.
- Das Spritzgerät stoppt, wenn Sie den Drehschalter weiter in die Position „AUS“ drehen.

⚠️ WARNUNG: Um ein unbeabsichtigtes Starten zu verhindern, drehen Sie den Drehzahlschalter in die Position „Aus“. (Der rote Punkt auf dem Schalter zeigt in Richtung der Sprühlanze.)

⚠️ WARNUNG: Bevor Sie das Gerät einlagern, längere Zeit nicht benutzen oder den Akku ersetzen, drehen Sie den Drehzahlschalter in die Position „Aus“. (Der rote Punkt auf dem Schalter zeigt zur Sprühlanze.)

Auslöser

- Drücken Sie den Auslöser nach unten, um das Spritzgerät einzuschalten.
- Um den Sprühvorgang zu stoppen, lassen Sie den Auslöser los.

Feststellhebel

Der Feststellhebel ist praktisch, wenn über einen längeren Zeitraum gesprüht oder eine große Fläche abgedeckt werden soll.

- Um den Auslöser in seiner Position zu verriegeln, drücken Sie den Feststellhebel, während Sie den Auslöser gedrückt halten.
- Um den Auslöser zu lösen, ziehen Sie den

Feststellhebel.

HINWEIS: Vergewissern Sie sich, dass der Auslöser nicht verriegelt ist, bevor Sie den Akku in das Spritzgerät einsetzen.

EINSTELLEN UND AUSWECHSELN DER DÜSEN

⚠️ WARNUNG: Um schwere persönliche Verletzungen zu vermeiden, entfernen Sie den Akku, bevor Sie Düsen einstellen oder auswechseln.

Das Spritzgerät wird mit vier Düsen geliefert: Verstellbare Düse, Flachstrahldüse, Brause und Schaumdüse. Wechseln Sie die Düse vor Beginn der Arbeit entsprechend der geplanten Aufgabe.

Verstellbare Düse (Abb. G1): Punktgenaues Sprühen von Blumenbeeten, Gehwegen, Einfahrten, Terrassen und um Bäume und Sträucher herum. Einfassungen entlang von Zäunen, Einfahrten und Gehwegen. Entfernen von Dickicht.

Flachstrahldüse (Abb. G3): Flaches Sprühen für eine sehr breite Abdeckung und Flüssigkeiten mit höherer Viskosität. Vorbereitung von großen Flächen für die Bepflanzung.

G-1	Flachstrahldüse	G-3	Schaumdüse
G-2	Brause		

Brause (Abb. G3): Erzeugt einen höheren Wasserdurchfluss für die Bewässerung und Behandlung von Pflanzen.

Schaumdüse (Abb. G3): Markiert das behandelte Unkraut sichtbar. Punktgenaues Sprühen von Unkraut im Rasen, um Blumenbeete, Bäume und Sträucher. Einfassungen entlang von Zäunen, Einfahrten und Gehwegen.

Die verstellbare Düse kann zwischen Strahl und Sprühnebel eingestellt werden (Abb. G1).

1. Drehen Sie den gerändelten (strukturierten) Teil der Düse gegen den Uhrzeigersinn, um einen Strahl zu erzeugen.
2. Drehen Sie den gerändelten (strukturierten) Teil der Düse im Uhrzeigersinn, um einen Sprühnebel zu erzeugen.

Schrauben Sie die gesamte Düse gegen den Uhrzeigersinn ab, um die sie zu entfernen und zu wechseln (Abb. G2).

Durchflussmenge der verschiedenen Düsen, die mit dem Spritzgerät geliefert werden:

	Neindurchfluss (l/min)	Maximaler Betriebsdruck (l/min)	Optimaler Betriebsdruck (l/min)
Einstellbare Düse	2,3	2,7	2,4
Flachstrahldüse	2,3	2,7	2,4
Brause	2,3	2,9	2,7
Schaumdüse	2,3	2,7	2,4

VERSPRÜHEN VON HAUS- UND GARTENCHEMIKALIEN (Abb. H)

⚠️ WARNUNG: Richten Sie die Düse der Lanze niemals auf sich selbst oder andere.

⚠️ WARNUNG: Rauchen, essen oder trinken Sie nicht, während Sie das Spritzgerät bedienen.

⚠️ WARNUNG: Sprühen Sie niemals in Richtung von Menschen oder Tieren, sondern immer in Windrichtung.

⚠️ WARNUNG: Es besteht Brand- und Explosionsgefahr. Der Spritzbereich muss gut belüftet sein und von Funken oder Flammen entfernt liegen.

1. Setzen Sie den Akku ein.
2. Drehen Sie den Drehzahlsschalter, um die gewünschte Durchflussmenge einzustellen.
3. Richten Sie die Düse des Spritzgeräts direkt auf die Pflanzen oder Gegenstände, die Sie besprühen möchten.

ANMERKUNG: Achten Sie darauf, dass Sie weit genug von dem zu besprühenden Objekt entfernt stehen, damit das Sprühmittel nicht auf Sie zurückspritzt.

4. Drücken Sie zum Starten des Spritzgeräts den Auslöser.
5. Um das Spritzgerät zu stoppen, lassen Sie den Auslöser los.
6. Entleeren und reinigen Sie den Tank nach jedem Gebrauch wie im Abschnitt „WARTUNG“ beschrieben.

TIPPS ZUR BEDIENUNG

- Stellen Sie die Schultergurte des Gurtzeugs so ein,

dass das Spritzgerät über Ihrer Taille sitzt und der Tank eng an Ihrem Rücken anliegt.

- Vermeiden Sie das Sprühen an windigen Tagen. Der Sprühnebel kann versehentlich auf Pflanzen oder Gegenstände geblasen werden, die nicht besprüht werden sollten.
- Sprühen Sie am frühen Morgen oder am späten Nachmittag, vor allem bei wärmerem Wetter. Bei übermäßiger Hitze kann das Sprühmittel verdampfen, bevor es sich absetzt.

WARTUNG

⚠️ WARNUNG: Bei der Wartung nur identische Ersatzteile verwenden. Die Verwendung anderer Teile kann Unfälle und Schäden am Gerät hervorrufen. Um die Sicherheit und Zuverlässigkeit zu gewährleisten, sollten alle Reparaturen nur von qualifizierten Servicetechnikern durchgeführt werden.

⚠️ WARNUNG: Um schwere Verletzungen zu vermeiden, nehmen Sie den Akku aus dem Spritzgerät, bevor Sie es reparieren, reinigen, Düsen wechseln, Wartungsarbeiten durchführen oder wenn das Spritzgerät nicht in Gebrauch ist. Ein akkubetriebenes Spritzgerät mit eingelegtem Akku ist immer einsatzbereit und kann versehentlich in Betrieb gesetzt werden.

ALLGEMEINE WARTUNG

Alle Wartungsarbeiten, die nicht ausdrücklich in dieser Wartungsanleitung aufgeführt sind, sollten von qualifiziertem Kundendienstpersonal durchgeführt werden.

REINIGUNG

Zum Reinigen von Kunststoffteilen Lösungsmittel vermeiden. Die verschiedenen handelsüblichen Lösungsmittel greifen die meisten Kunststoffe an. Zum Beseitigen von Schmutz, Staub, Öl, Fett usw. einen sauberen Lappen verwenden.

⚠️ WARNUNG: Immer darauf achten, dass keine Bremsflüssigkeit, Benzin, Mineralöl-Erzeugnisse, durchdringende Öle usw. mit den Kunststoffteilen in Berührung kommen. Die Chemikalien können die Kunststoffe angreifen, mechanisch schwächen oder zerstören, was zu schweren Verletzungen führen kann.

⚠️ WARNUNG: Tauchen Sie das Spritzgerät beim Reinigen NICHT in Wasser oder andere Flüssigkeiten ein.

⚠️ WARNUNG: Lagern und entsorgen Sie Chemikalien immer ordnungsgemäß. Die Entsorgung von

kontaminiertem Spülwasser sollte gemäß den örtlichen Bestimmungen und Gesetzen erfolgen.

- Wenn sich nach dem Sprühen noch Flüssigkeit im Tank befindet, entleeren Sie den Tank vor der Reinigung.
- Verwenden Sie zur Reinigung der Außenseite des Tanks immer nur ein weiches, trockenes Tuch; verwenden Sie niemals Reinigungsmittel oder Alkohol.
- Füllen Sie den Tank etwa zu einem Drittel mit sauberem Wasser. Sprühen Sie so lange, bis der Tank leer ist. Achten Sie darauf, dass Sie den Sprühstrahl auf einen Bereich richten, der durch die Sprühlösung nicht beschädigt wird.
- Füllen Sie Wasser nach und wiederholen Sie den Vorgang mit sauberem Wasser. Eventuell müssen Sie den Tank mehr als einmal spülen und dann wie oben beschrieben entleeren.
- Lassen Sie alle Teile vollständig trocknen, bevor Sie das Gerät wieder zusammenbauen und lagern.

DÜSENREINIGUNG

⚠️ WARNUNG: Um Wasserlecks vorzubeugen, müssen die Düsen sorgfältig gereinigt werden. Auslaufendes Wasser kann zu rutschigen Oberflächen führen und damit Rutsch- und Sturzgefahr oder Sachschäden hervorrufen.

Unregelmäßige Sprühmuster oder Leckagen können auf eine verstopfte oder verschmutzte Düse zurückzuführen sein.

1. Schalten Sie das Spritzgerät aus und nehmen Sie den Akku heraus.
2. **Entfernen von Verstopfungen in der einstellbaren Düse (Abb. 11):**
 - a. Schrauben Sie den gerändelten (strukturierten) Teil der verstellbaren Düse ab und entfernen Sie ihn.
 - b. Schieben Sie einen dünnen Draht (nicht inbegriffen) durch die Querbohrungen, um eventuelle Verunreinigungen zu entfernen. Spülen Sie ggf. die Querbohrungen und die Düse mit sauberem Wasser.
3. **Reinigen der Flachstrahl- und Schaumdüse (Abb. 12):**
 - a. Schrauben Sie die Düse von der Sprühlanze ab und entfernen Sie sie.
 - b. Schieben Sie einen dünnen Draht (nicht inbegriffen) durch die Löcher, um eventuelle Verunreinigungen zu entfernen. Spülen Sie die

- Düse bei Bedarf mit sauberem Wasser aus.
- c. Wischen Sie die Düse mit einem sauberen, trockenen Tuch ab und bringen Sie die Düse wieder an.

TRANSPORT UND LAGERUNG (Abb. J)

- Entfernen Sie den Akku.
- Drehen Sie den Drehzahlschalter auf die Position „Aus“. (Der rote Punkt auf dem Schalter zeigt in Richtung der Sprühlanze.)
- Reinigen Sie das Spritzgerät gründlich.
- Entleeren Sie den Tank, den Schlauch und die Sprühlanze.

HINWEIS: Vor der Einlagerung, insbesondere vor der Überwinterung müssen Sie den Tank, den Schlauch und die Sprühlanze entleeren, um zu verhindern, dass das Gerät einfriert und beschädigt wird, was dazu führen würde, dass sie nach der Überwinterung nicht mehr startet.

- Befestigen Sie die Sprühlanze im Unterteil und in der Aufbewahrungsklemme.

J-1	Aufbewahrungsklemme	J-3	Tragegriff
J-2	Unterteil		

- Heben Sie das Spritzgerät am Tragegriff an oder tragen Sie es mit dem Tragegurt, wenn Sie es transportieren.
- Bewahren Sie das Spritzgerät drinnen an einem gut belüfteten Ort auf.
- Halten Sie sie von korrosiven Mitteln wie Gartenchemikalien und Streusalz fern.

Schutz der Umwelt



Elektrogeräte, alte Akkus und Ladegeräte dürfen nicht im Hausmüll entsorgt werden!

Die Maschine muss einer offiziellen Recycling-Sammelstelle zur getrennten Entsorgung zugeführt werden. Elektrogeräte müssen bei einem umweltfreundlichen Recycling-Betrieb abgegeben werden.

STÖRUNGSBEHEBUNG

DE

PROBLEM	URSACHE	LÖSUNG
Das Spritzgerät startet nicht.	<ul style="list-style-type: none"> ■ Der Akku ist nicht vollständig ins Akkufach eingesetzt worden. ■ Kein elektrischer Kontakt zwischen Spritzgerät und Akku. ■ Der Akku ist entladen. ■ Der Akku oder das Spritzgerät ist zu heiß. 	<ul style="list-style-type: none"> ■ Prüfen Sie, ob der Akku vollständig ins Akkufach eingesetzt wurde. ■ Nehmen Sie den Akku ab, prüfen Sie die Kontakte und setzen Sie den Akku wieder ein. ■ Laden Sie den Akku auf. ■ Schalten Sie das Spritzgerät aus und lassen Sie den Akku oder das Spritzgerät abkühlen, bis die Temperatur auf den empfohlenen Betriebstemperaturbereich gefallen ist.
Der Motor läuft, aber es kommt kein Sprühstrahl aus der Düse.	<ul style="list-style-type: none"> ■ Niedriger Flüssigkeitsstand im Tank. ■ Die Düse ist während des Betriebs verstopft. 	<ul style="list-style-type: none"> ■ Prüfen Sie, ob genügend Flüssigkeit im Tank vorhanden ist. ■ Reinigen Sie die Düse(n) gemäß Abschnitt „DÜSENREINIGUNG“ und setzen Sie sie wie beschrieben wieder zusammen.
Flüssigkeit tritt zwischen dem Bediengriff und der Sprühlanze aus.	<ul style="list-style-type: none"> ■ Die Endkappe der Sprühlanze ist lose. 	<ul style="list-style-type: none"> ■ Ziehen Sie die Endkappe fest.
Flüssigkeit tritt zwischen der Sprühlanze und der Düse aus.	<ul style="list-style-type: none"> ■ Die Düse ist lose oder falsch angebracht. 	<ul style="list-style-type: none"> ■ Bringen Sie die Düse wieder korrekt und fest an, wie im Kapitel „EINSTELLEN UND AUSWECHSELN DER DÜSEN“ beschrieben.

GARANTIE

EGO-GARANTIEBEDINGUNGEN

Sämtliche EGO-Garantiebedingungen finden Sie auf der Website egopowerplus.eu.

LISEZ TOUTES LES INSTRUCTIONS!**FR****LISEZ LE MANUEL D'UTILISATION**

⚠ AVERTISSEMENT : Pour garantir la sécurité et la fiabilité, toutes les réparations doivent être effectuées par un réparateur qualifié.

⚠ AVERTISSEMENT : Vous devez impérativement lire et comprendre toutes les consignes de sécurité du présent mode d'emploi, y compris tous les symboles de mise en garde de sécurité tels que « **DANGER** », « **AVERTISSEMENT** » et « **ATTENTION** », avant d'utiliser cet outil. Le non-respect de toutes les instructions énumérées ci-dessous peut entraîner un choc électrique, un incendie et / ou de graves blessures.

CONSERVEZ TOUTES LES CONSIGNES DE SÉCURITÉ ET TOUTES LES INSTRUCTIONS POUR POUVOIR VOUS Y RÉFÉRER ULTÉRIEUREMENT.

SYMBOLES DE SÉCURITÉ

⚠ AVERTISSEMENT : L'utilisation d'un outil électrique peut provoquer la projection d'objets étrangers dans vos yeux, ce qui peut entraîner des lésions oculaires graves. Avant de commencer à utiliser l'outil électrique, portez toujours un masque de sécurité ou des lunettes de sécurité avec des protections latérales et une visière complète si nécessaire. Nous vous recommandons de porter un masque de sécurité à vision panoramique par-dessus des lunettes de vue ou des lunettes de sécurité standards avec des protections latérales.



Alerte de sécurité



Pour réduire le risque de blessures, l'utilisateur doit lire et comprendre le manuel d'utilisation avant d'utiliser ce produit.



Portez des vêtements de protection.



Tenez les personnes présentes à distance lors de la pulvérisation.



Portez une protection faciale.



Ce produit est conforme aux directives CE applicables.



Niveau de puissance acoustique garanti. Émission de bruit dans l'environnement conformément à la directive CE.



Cette machine est conforme à la législation britannique applicable.



Les produits électriques usagés ne doivent pas être jetés avec les ordures ménagères. Apportez-les dans un centre de recyclage agréé.

IPX4

Protection contre les éclaboussures d'eau



Courant continu

./min

Par minute

V

Tension

 n_0

Régime à vide

mm

Millimètre

AVERTISSEMENTS GÉNÉRAUX DE SÉCURITÉ

⚠ AVERTISSEMENT : Lisez toutes les mises en garde, consignes, illustrations et spécifications fournies avec cette machine. Le non-respect des consignes figurant ci-dessous peut provoquer un choc électrique, un incendie et/ou de graves blessures.

Conservez tous les avertissements et consignes pour pouvoir vous y référer ultérieurement.

Le terme « machine » utilisé dans les consignes de sécurité désigne votre machine fonctionnant sur le secteur (filaire) ou sur batterie (sans fil).

SÉCURITÉ DE L'AIRES DE TRAVAIL

- **Maintenez la zone de travail propre et bien éclairée.** Les endroits sombres ou désordonnés augmentent les risques d'accident.
- **N'utilisez pas les machines dans des atmosphères explosives, par exemple en présence de liquides, de gaz ou de poussières inflammables.** Les machines génèrent des étincelles pouvant enflammer poussières et vapeurs.
- **Veillez à ce que les enfants et les passants restent éloignés de la machine pendant l'utilisation.** Un moment d'inattention peut vous faire perdre le contrôle de l'outil.

SÉCURITÉ ÉLECTRIQUE

- **La fiche de la machine doit correspondre à la prise électrique. Ne modifiez jamais la prise de quelque manière que ce soit. N'utilisez jamais d'adaptateur avec des machines pourvues d'une mise à la terre.** Les fiches non modifiées et les prises électriques appropriées réduisent le risque de choc électrique.
- **Évitez tout contact physique avec des surfaces mises à la terre ou mises à la masse, telles que tuyaux, radiateurs, fours et réfrigérateurs.** Il y a un risque accru de choc électrique si votre corps est relié à la terre ou à la masse, directement ou indirectement.
- **N'exposez pas les machines à la pluie ou à l'humidité.** Si de l'eau pénètre dans une machine, cela accroît le risque d'électrocution.
- **Prenez soin du câble d'alimentation. N'utilisez jamais le cordon d'alimentation pour porter, tirer ou débrancher la machine. Veillez à ce que le câble d'alimentation n'entre jamais en contact avec de l'huile, des pièces mobiles, des arêtes tranchantes, et ne soit jamais exposé à de la chaleur.** Les câbles d'alimentation endommagés ou emmêlés augmentent le risque de choc électrique.

- **Quand vous utilisez une machine en extérieur, utilisez une rallonge électrique adaptée à un usage en extérieur.** L'utilisation d'une rallonge conçue pour un usage en extérieur permet de réduire le risque de choc électrique.
- **Si l'utilisation d'une machine dans un endroit humide est inévitable, utilisez une alimentation protégée par un dispositif à courant différentiel résiduel (RCD).** L'utilisation d'un DDR réduit le risque de choc électrique.

SÉCURITÉ DES PERSONNES

- **Faites preuve de vigilance et de concentration sur ce que vous faites et exercez votre bon sens lors de l'utilisation d'une machine. N'utilisez pas une machine quand vous êtes fatigué(e), sous l'emprise de l'alcool, de stupéfiants ou de médicaments.** Un moment d'inattention pendant l'utilisation d'une machine peut provoquer des blessures corporelles graves.
- **Utilisez des équipements de protection individuelle. Portez toujours une protection oculaire.** L'utilisation d'équipements de protection appropriés aux conditions de travail, tels qu'un masque anti-poussières, des chaussures de sécurité antidérapantes, un casque et des protections auditives, permet de réduire les risques de blessures corporelles.
- **Évitez les démarrages accidentels. Vérifiez que l'interrupteur marche/arrêt est dans la position arrêt avant de brancher la machine dans une prise électrique et/ou d'insérer la batterie, de le saisir ou de le transporter.** Transporter des machines avec le doigt sur l'interrupteur marche/arrêt ou mettre sous tension des machines dont l'interrupteur est activé augmente le risque d'accidents.
- **Retirez toutes les clés de réglage et de serrage avant de mettre la machine en marche.** Une clé de réglage ou de serrage laissée sur une pièce rotative de la machine peut provoquer des blessures corporelles.
- **N'essayez pas d'atteindre des endroits difficiles d'accès. Conservez en permanence un bon appui et un bon équilibre.** Cela permet un meilleur contrôle de la machine en cas de situations inattendues.
- **Portez une tenue adaptée. Ne portez pas de vêtements amples ni de bijoux. Maintenez vos cheveux et vos vêtements éloignés des pièces mobiles.** Les vêtements amples, les bijoux et les cheveux longs peuvent se prendre dans les pièces mobiles.
- **Si un outil est conçu pour être utilisé avec des dispositifs d'extraction et de récupération des**

poussières, veillez à ce que ces dispositifs soient raccordés et correctement utilisés. L'utilisation de dispositifs de récupération des poussières permet de réduire les risques liés aux poussières.

- **Continuez à respecter les principes de sécurité même si vous vous sentez familiarisé(e) à l'utilisation de la machine.** La négligence peut provoquer de graves blessures en une fraction de seconde.

UTILISATION ET ENTRETIEN DE LA MACHINE

- **Ne forcez pas sur la machine. Utilisez une machine adaptée à votre travail.** L'utilisation d'une machine qui convient au travail à effectuer permet de réaliser ce travail plus efficacement, avec une sécurité accrue et au rythme pour lequel la machine a été conçue.
- **N'utilisez pas la machine si son interrupteur marche/arrêt ne permet pas de l'allumer et de l'éteindre.** Une machine qui ne peut pas être contrôlée avec son interrupteur marche/arrêt est dangereuse et doit être réparée.
- **Débranchez la fiche de l'alimentation électrique et/ou retirez la batterie, si amovible, de la machine avant tout réglage ou changement d'accessoire, et avant de ranger la machine.** De telles mesures de sécurité préventives réduisent le risque de démarrage accidentel de la machine.
- **Conservez la machine à l'arrêt hors de portée des enfants et ne laissez pas des personnes non familiarisées avec la machine ou les présentes consignes utiliser la machine.** Les machines sont dangereuses dans les mains d'utilisateurs non formés.
- **Entretenez les machines et les accessoires. Contrôlez la machine pour vérifier qu'aucune pièce mobile n'est grippée ou mal alignée, qu'aucune pièce n'est cassée, et pour tout autre problème qui pourrait affecter son fonctionnement. Si elle est endommagée, faites réparer la machine avant utilisation.** De nombreux accidents sont dus à des machines mal entretenues.
- **Veillez à ce que les accessoires de coupe restent affûtés et propres.** Des accessoires de coupe bien entretenus et bien affûtés risquent moins de se coincer et sont plus faciles à contrôler.
- **Utilisez la machine, ses accessoires, mèches/embouts et toutes les autres pièces conformément au présent mode d'emploi, en prenant en compte les conditions d'utilisation et le travail à effectuer.** L'utilisation de la machine à d'autres finalités que celles pour lesquelles elle a été conçue peut engendrer des situations dangereuses.

- **Maintenez les poignées et surfaces de préhension propres, sèches et exemptes d'huile et de graisse.** Les poignées et surfaces de préhension glissantes ne permettent pas de tenir et de contrôler la machine de manière sûre en cas de situations inattendues.

UTILISATION ET ENTRETIEN DE LA BATTERIE DE LA MACHINE

- **Rechargez la batterie exclusivement avec le chargeur spécifié par le fabricant.** Un chargeur adapté à un type de batterie en particulier peut présenter un risque d'incendie s'il est utilisé avec un type de batterie différent.
- **Utilisez les machines uniquement avec la batterie indiquée.** L'utilisation de toute autre batterie peut engendrer un risque de blessures et d'incendie.
- **Lorsque la batterie n'est pas utilisée, elle doit être rangée à l'écart de tout objet métallique, tel que les trombones, pièces de monnaie, clés, clous, vis et tous les autres petits objets métalliques pouvant mettre en contact ses bornes.** Mettre en contact les bornes de la batterie peut provoquer des brûlures et un incendie.
- **Si la batterie est soumise à des conditions d'utilisation excessives, du liquide peut s'en échapper. Évitez tout contact avec ce liquide. En cas de contact accidentel, rincez à grande eau. En cas de contact avec les yeux, vous devez en outre consulter un médecin.** Le liquide qui s'échappe de la batterie peut provoquer des irritations et des brûlures.
- **N'utilisez pas une batterie ou une machine endommagée ou modifiée.** Les batteries modifiées ou endommagées peuvent avoir un comportement imprévisible provoquant un incendie, une explosion ou un risque de blessure.
- **N'exposez pas la batterie ou la machine à des flammes ou à une température excessive.** L'exposition au feu ou à des températures supérieures à 130 °C peut provoquer une explosion.
- **Respectez toutes les consignes de recharge et ne rechargez pas la batterie ou la machine hors de la plage de température spécifiée dans les consignes.** La recharge incorrecte ou à des températures hors de la plage spécifiée peut endommager la batterie et accroître le risque d'incendie.

RÉPARATION

- **Faites réparer votre machine par un réparateur qualifié qui ne doit utiliser que des pièces de rechange identiques.** Ceci permet de garantir la sécurité de la machine.

- **Ne réparez jamais les batteries endommagées.** La réparation des batteries doit toujours être effectuée par le fabricant ou des réparateurs agréés.

CONSIGNES DE SÉCURITÉ POUR PULVÉRISATEUR SANS FIL

⚠ DANGER : Risque d'incendie ou d'explosion. Ne pas vaporiser de liquides inflammables, p. ex. de l'essence.

⚠ AVERTISSEMENT :

- **Afin d'éviter les blessures, portez toujours une protection pour les yeux, la peau et les voies respiratoires.**
- **Afin de réduire les risques de décharge électrique, ne pas exposer à la pluie.**
- **Pour usage domestique et extérieur uniquement.**
- **Ne pas vaporiser de liquides inflammables ou combustibles dans un espace confiné.** Lorsqu'un liquide combustible est pulvérisé, il existe un risque d'incendie ou d'explosion, en particulier dans les espaces confinés.
- **La zone de pulvérisation doit être bien aérée.**
- **Ne fumez pas pendant la pulvérisation et ne pulvérisez pas dans un endroit où il y a des étincelles ou de la fumée.**
- **Avant de remplir le réservoir, retirez toujours la batterie. Essayez tous les éventuels liquides déversés avant d'insérer la batterie.** Le respect de cette règle réduira le risque de choc électrique et d'infiltration de liquides corrosifs dans la batterie, qui pourrait provoquer une défaillance de la batterie, y compris un court-circuit, entraînant de la fumée, un incendie et/ou de graves blessures corporelles.
- **Ne laissez pas de liquides conducteurs ou corrosifs s'infiltrer à l'intérieur de la batterie.** Si des liquides conducteurs ou corrosifs sont renversés sur la batterie, reportez-vous aux instructions du mode d'emploi de votre batterie.
- **Avant d'utiliser des produits à pulvériser dans ce pulvérisateur, lisez attentivement l'étiquette du récipient d'origine du produit et suivez ses instructions.** Certains produits de pulvérisation sont dangereux et ne doivent pas être utilisés dans ce pulvérisateur, car ils pourraient l'endommager et provoquer de graves blessures corporelles ou des dommages matériels.
- **Il est important de connaître le contenu du produit chimique pulvérisé. Lisez toutes les fiches de données de sécurité (FDS) et les étiquettes des contenants du produit chimique.** Suivez les instructions de sécurité du fabricant du produit chimique.
- **Risque de choc électrique.** Ne jamais vaporiser vers des prises de courant.
- **Ne mettez pas de liquides chauds ou bouillants dans le réservoir.** Ceux-ci sont de nature à affaiblir ou endommager les tubes ou le réservoir.
- **Évitez de pulvériser les jours venteux.** Le spray pourrait être accidentellement soufflé sur des plantes ou des objets qui ne doivent pas être pulvérisés.
- **Rangez le pulvérisateur dans un espace intérieur sûr et bien aéré, avec le réservoir vide.**
- **Ne pas vaporiser d'eau de Javel ni de peroxyde d'hydrogène.**
- **Ne pas vaporiser de produits chimiques à base d'alcool.**
- **Ne pas pulvériser de poudres ou de produits chimiques abrasifs.**
- **Ne pas pulvériser de liquides caustiques (alcalins) ou auto-chauffants.**
- **N'utilisez pas de produits chimiques dangereux pour l'environnement qui ne sont pas autorisés par les réglementations locales.**
- **Ne dirigez jamais la buse du pulvérisateur vers des personnes ou des animaux domestiques.**
- **N'autorisez jamais les enfants, les personnes dont les capacités physiques, sensorielles ou mentales sont réduites, les personnes manquant d'expérience et de connaissance, et les personnes non familiarisées avec ce manuel d'utilisation à utiliser l'outil.**
- **L'opérateur ou l'utilisateur est responsable des accidents ou dommages causés à des tiers ou à leurs biens.**
- **Le pulvérisateur ne doit être utilisé qu'avec des produits phytosanitaires approuvés par les autorités réglementaires locales/nationales pour les produits phytosanitaires destinés à être utilisés avec des pulvérisateurs à dos.**
- **Risque d'injection.** Ne pas décharger directement sur la peau. Gardez toutes les parties du corps hors de la zone de pulvérisation.
- **Ne laissez pas de résidus ou de produit pulvérisé dans le réservoir après avoir utilisé le pulvérisateur. Nettoyer après chaque utilisation.**

- Afin de réduire le risque d'incendie ou d'explosion, utilisez un liquide avec un point d'éclair supérieur à 60°C.
- Afin de réduire le risque de choc électrique, ne mettez pas le pulvérisateur dans l'eau ni dans tout autre liquide. Le pulvérisateur ne doit jamais être placé ou rangé à un endroit où il pourrait tomber ou être entraîné accidentellement dans une baignoire ou un évier.
- Ce produit nécessite un entretien. Examinez soigneusement l'intérieur et l'extérieur du pulvérisateur et les composants avant chaque utilisation. Vérifiez si le réservoir est fissuré ou détérioré, et vérifiez s'il y a des fuites, des buses obstruées ou des pièces manquantes ou endommagées. En cas de dommage, faites réparer le produit avant de le réutiliser. De nombreux accidents sont causés par des produits mal entretenus.
- Mettez le bouton marche/arrêt en position d'arrêt quand vous avez fini d'utiliser le pulvérisateur et avant de procéder à l'entretien ou au nettoyage.
- Enlevez la batterie avant de vidanger, de nettoyer ou de ranger le pulvérisateur. De telles mesures de sécurité préventives réduisent le risque de démarrage accidentel.
- Portez toujours une protection oculaire avec boucliers latéraux ou des lunettes de protection. Le non-respect de cette consigne pourrait entraîner la pénétration de liquide dans vos yeux, avec risque de graves blessures.
- Protégez vos poumons. Portez des équipements de sécurité approuvés tels que des masques spécialement conçus pour filtrer les sprays, des gants et d'autres équipements de protection appropriés. Respecter cette règle permet de réduire le risque de blessures corporelles graves. Suivez les instructions et les directives de sécurité du fabricant du produit chimique répertoriées sur la fiche de données de sécurité.
- Les produits chimiques et les vapeurs chimiques peuvent être dangereux et causer de graves blessures, des dommages irréversibles voire la mort s'ils sont ingérés, inhalés ou éclaboussés dans les yeux ou sur la peau. Suivez les instructions et les directives de sécurité du fabricant du produit chimique répertoriées sur la fiche de données de sécurité.
- Afin de réduire le risque de blessures, une supervision étroite est nécessaire quand le pulvérisateur est utilisé à proximité d'enfants.
- Ne pas toucher les pièces mobiles.

- Utilisez exclusivement les accessoires recommandés ou vendus par le fabricant.
- Évitez les démarrages accidentels. Vérifiez que l'interrupteur est dans la position arrêt avant de raccorder la batterie, de saisir l'appareil ou de le porter. Porter l'appareil avec le doigt sur l'interrupteur ou le raccorder à une alimentation électrique alors que l'appareil est dans la position marche augmente le risque d'accident.

CONSERVEZ CES INSTRUCTIONS

SPÉCIFICATIONS

Tension nominale	56 V 
Max. Capacité du réservoir	15L
Max. Pression de travail	24 bar
Max. Débit de pulvérisation (avec buse réglable, mode pulvérisation)	2,3 L/min
Diamètre du filtre d'entrée	35 mm
Taille de maille du filtre d'entrée	0,35 mm
Diamètre du filtre de sortie	124 mm
Poids (poids à sec, sans batterie)	7,6 kg
Température d'utilisation recommandée	5 °C - 40 °C
Température de stockage recommandée	-20 °C - 70 °C
Température de charge recommandée	5° C - 40 °C

⚠ AVERTISSEMENT : Avant d'utiliser un pulvérisateur à dos, assurez-vous que son poids total, incluant la machine, le liquide dans le réservoir, la buse et la batterie utilisées, ne dépasse pas 25 kg afin d'éviter les blessures et la perte d'équilibre.

- La valeur totale des vibrations indiquée a été mesurée selon une procédure conforme à une méthode de test standardisée et peut servir pour comparer différents outils.
- La valeur totale des vibrations déclarée peut également servir pour effectuer une évaluation préliminaire de l'exposition.

REMARQUE : Le niveau de vibrations lors de l'utilisation réelle de l'outil peut être différent de la valeur déclarée totale en fonction de la manière dont l'outil est utilisé ; Afin de protéger l'opérateur, l'utilisateur doit porter des gants et des protecteurs d'oreilles en conditions réelles d'utilisation.

CONTENU DE L'EMBALLAGE (FIG. A1)

DESCRIPTION

DESCRIPTION DE VOTRE PULVÉRISATEUR (FIG. A1)

1. Tuyau
2. Compartiment de la batterie
3. Réservoir
4. Bouchon du réservoir
5. Poignée de transport
6. Harnais Réglable
7. Molette de réglage de la vitesse
8. Manette de verrouillage
9. Gâchette marche/arrêt
10. Poignée de contrôle
11. Embout
12. Lance de pulvérisation
13. Buse réglable
14. Buse à jet plat
15. Buse à mousse
16. Buse de douche

ASSEMBLAGE

⚠ AVERTISSEMENT : Si une ou plusieurs pièces sont manquantes ou endommagées, n'utilisez pas cet outil tant que toutes les pièces n'ont pas été remplacées. Utiliser cet outil avec des pièces endommagées ou manquantes peut provoquer des blessures corporelles graves.

⚠ AVERTISSEMENT : N'essayez pas de modifier ce produit ni de créer des accessoires non recommandés pour être utilisés avec ce produit. De tels modifications et changements constituent un usage impropre et peuvent engendrer des situations dangereuses pouvant conduire à des blessures corporelles graves.

⚠ AVERTISSEMENT : Afin d'éviter un démarrage accidentel pouvant provoquer des blessures corporelles graves, veillez à ce que la batterie soit toujours retirée

de l'appareil lors de l'assemblage, du réglage ou du nettoyage et quand vous ne l'utilisez pas.

- Ce produit doit être assemblé.
- Sortez précautionneusement l'outil et ses accessoires de l'emballage. Vérifiez qu'il ne manque aucune des pièces listées dans le **Contenu de l'emballage**.
- Inspectez la machine soigneusement pour vérifier qu'aucun bris ou dommage ne s'est produit au cours de l'expédition.
- Ne jetez pas les éléments d'emballage tant que vous n'avez pas soigneusement inspecté le produit et que vous ne l'avez pas utilisé de manière satisfaisante.
- Si une pièce est endommagée ou manquante, retournez le produit à son lieu d'achat.

RACCORDEMENT DE LA LANCE DE PULVÉRISATION À LA POIGNÉE DE COMMANDE

1. Vissez l'embout de la lance de pulvérisation sur la poignée de commande et serrez-le bien en le vissant dans le sens des aiguilles d'une montre (Fig. B).
2. Tirez sur la lance de pulvérisation pour vous assurer qu'elle est fixée correctement.

FONCTIONNEMENT

⚠ AVERTISSEMENT : Veillez à ne pas devenir moins prudent(e) au fur et à mesure que vous vous familiarisez avec cet outil. Gardez à l'esprit qu'une fraction de seconde d'inattention peut suffire pour provoquer des blessures graves.

⚠ AVERTISSEMENT : Utilisez des équipements de sécurité. Protégez vos yeux, votre peau et vos poumons pendant le mélange, le remplissage, la pulvérisation et le nettoyage. Le non-respect de cette consigne peut entraîner de graves blessures corporelles et des dommages matériels.

⚠ AVERTISSEMENT : Afin d'éviter de graves blessures, retirez la batterie de l'appareil avant de procéder à l'entretien, au nettoyage, au changement d'accessoires, au remplissage ou à la vidange du réservoir.

⚠ AVERTISSEMENT : N'utilisez aucun accessoire ou pièce non recommandé par le fabricant de ce produit. L'utilisation d'accessoires ou de pièces non recommandés peut provoquer des blessures corporelles graves.

Avant chaque utilisation, inspectez le produit complet à la recherche de pièces endommagées, manquantes

ou desserrées telles que des vis, écrous, boulons, capuchons, etc. Serrez fermement toutes les fixations et capuchons et ne faites pas fonctionner ce produit tant que toutes les pièces manquantes ou endommagées n'ont pas été remplacées.

DOMAINE D'UTILISATION

Vous pouvez utiliser cet outil pour les usages listés ci-dessous :

- Appliquer des engrais et arroser les plantes.
- Pulvérisation d'herbicides, de pesticides et de fongicides.

REMARQUE : Le produit est conçu pour un usage horticole et agricole seulement.

REMARQUE : Le produit ne doit être utilisé qu'à la finalité pour laquelle il a été conçu. Toute autre utilisation est considérée comme inappropriée.

⚠ AVERTISSEMENT : Une mauvaise application de produits chimiques ou de solutions peut entraîner des blessures graves voire MORTELLES. Suivez les instructions et les directives de sécurité du fabricant du produit chimique répertoriées sur la fiche de données de sécurité.

REMPLISSAGE DU RÉSERVOIR (Fig. C)

⚠ AVERTISSEMENT : Suivez toujours les instructions du fabricant du produit chimique imprimées sur l'étiquette de son produit pour l'utilisation, le nettoyage et le rangement. Ne pas mélanger les produits chimiques. Nettoyez soigneusement le réservoir après chaque utilisation, en suivant les instructions de la section « ENTRETIEN » du présent mode d'emploi. Les produits chimiques doivent être conservés hors de portée des enfants. Le non-respect de cette consigne peut entraîner de graves blessures corporelles.

⚠ AVERTISSEMENT : Assurez-vous que la quantité de liquide dans le réservoir n'entraîne pas un dépassement du poids total maximal de 25 kg, y compris la machine, le liquide dans le réservoir, la buse et la batterie utilisée.

Les produits chimiques liquides à pulvériser doivent être aussi fluides que de l'eau. Les liquides plus épais ne seront pas pulvérisés correctement. Ne remplissez pas trop le réservoir.

1. Retirez la batterie.
2. Dévissez le bouchon du réservoir dans le sens inverse des aiguilles d'une montre et sortez-le du réservoir.

3. Placez le pulvérisateur sur une surface plane.
4. Remplissez le réservoir avec la quantité d'eau souhaitée.
5. Mesurez la quantité recommandée de produit chimique liquide.
6. Versez soigneusement le produit liquide dans le réservoir.
7. Revissez le bouchon du réservoir sur le pulvérisateur en veillant à bien le serrer.

Les solutions de pulvérisation peuvent être pré-mélangées avant d'être versées dans le pulvérisateur.

REMARQUE : Si vous utilisez un récipient doseur pour contenir le liquide, veillez à bien nettoyer et rincer le récipient après utilisation. En cas de mélange préalable de la solution de pulvérisation, rincez le récipient utilisé pour le mélange.

REMARQUE : Il est important de bien nettoyer le pulvérisateur après chaque utilisation. Le fait de laisser du liquide dans un pulvérisateur inactif pendant longtemps peut entraîner le grippage de ses pièces mobiles et de ses connecteurs.

INSERTION / RETRAIT DE LA BATTERIE

Utilisez exclusivement les batteries et les chargeurs EGO listés à la Fig.A2.

Reportez-vous aux manuels des batteries et des chargeurs correspondants pour plus de détails.

Rechargez complètement la batterie avant la première utilisation.

1. Soulevez le couvercle du compartiment de la batterie en soulevant l'avant du couvercle (Fig. D1).
2. **Pour la fixation**, alignez les arêtes de la batterie sur les rainures d'assemblage et enfoncez la batterie jusqu'à entendre un déclic (Fig. D1).
3. **Pour détacher**, appuyez sur le bouton de déverrouillage de la batterie et sortez la batterie de l'outil (Fig. D2).
4. Fermez le couvercle du compartiment de la batterie.

⚠ AVERTISSEMENT : Soyez toujours conscient de la position de vos pieds, des enfants et des animaux quand vous appuyez sur les boutons de déverrouillage de la batterie. Risque de blessures graves en cas de chute de la batterie. Ne retirez JAMAIS la batterie depuis une hauteur.

⚠ AVERTISSEMENT : Assurez-vous que le loquet du pulvérisateur s'enclenche, que la batterie est bien fixée au pulvérisateur et que le couvercle du compartiment à

batterie est complètement fermé avant de commencer le travail. Si la batterie n'est pas correctement installée, elle pourrait tomber et entraîner des blessures graves.

⚠ AVERTISSEMENT : Afin d'éviter de graves blessures corporelles, retirez toujours la batterie et gardez les mains à distance de la poignée de commande lorsque vous soulevez ou transportez le pulvérisateur.

POSITIONNEMENT DU PULVÉRISATEUR À DOS

⚠ AVERTISSEMENT : Habillez-vous correctement afin de réduire les risques de blessures lors de l'utilisation de cet appareil. Ne portez pas de vêtement ample ni de bijou. Portez une protection oculaire. Portez un pantalon long et épais, des chaussures montantes et des gants. Ne portez pas de shorts ni de sandales et ne soyez pas pieds nus.

Avant d'utiliser le pulvérisateur à dos, munissez-vous de lunettes de protection et de vêtements appropriés et adoptez une position sûre et équilibrée.

Régler le harnais

1. Insérez vos bras entre les sangles du harnais dorsal pour porter le pulvérisateur sur votre dos.
2. Réglez temporairement les deux sangles d'épaule dans des positions confortables (Fig. E1) en veillant à ce que vos coudes soient dans une position confortable.
3. Enclenchez la boucle pectorale et ajustez la longueur de la sangle pectorale si nécessaire (Fig. E2).
4. Fermez la boucle de taille et réglez la longueur de la sangle de manière à ce que le sac à dos soit solidement soutenu par vos hanches (Fig. E3 et E4).

REMARQUE : Le harnais dorsal ne doit pas être positionné trop haut sur votre dos, il doit être positionné plus près de vos hanches que de vos épaules.

⚠ AVERTISSEMENT : En cas d'urgence, relâchez immédiatement les boucles de poitrine et de taille pour retirer les sangles de chaque côté. Il s'agit d'une méthode de retrait rapide.

5. Réglez les sangles d'épaule pour la sécurité et le confort. Veillez à ce que le harnais repose bien sur votre dos, avec son poids soutenu par la sangle de taille et sans qu'il ne se déplace trop quand vous bougez (Fig. E5).
6. Insérez la longueur en excès de la sangle autour de la taille dans l'élastique de chaque côté (Fig. E6).
7. Pour détacher le sac à dos de votre dos, appuyez simplement sur les boucles de taille et de poitrine

pour les ouvrir et abaissez le pulvérisateur (Fig. E7).

DÉMARRAGE/ARRÊT DU PULVÉRISATEUR (FIG. F)

Molette de réglage de la vitesse

1. Pour augmenter le débit, tournez la molette de réglage de vitesse dans le sens des aiguilles d'une montre.

F-1	Molette de réglage de la vitesse	F-3	Gâchette marche/arrêt
F-2	Manette de verrouillage		

2. Pour diminuer le débit, tournez la molette de réglage de vitesse dans le sens inverse des aiguilles d'une montre.
3. Le pulvérisateur s'arrêtera si vous mettez la molette sur la position «OFF» de manière continue.

⚠ AVERTISSEMENT : Afin d'éviter tout démarrage involontaire, mettez le sélecteur de vitesse sur la position d'arrêt (avec le point rouge du sélecteur vers la lance de pulvérisation).

⚠ AVERTISSEMENT : Avant de ranger la machine, de la laisser inutilisée pendant longtemps ou de remplacer la batterie, mettez toujours le sélecteur de vitesse sur la position d'arrêt (avec le point rouge du sélecteur vers la lance de pulvérisation).

Gâchette marche/arrêt

1. Appuyez sur la gâchette marche/arrêt pour allumer le pulvérisateur.
2. Relâchez la gâchette pour arrêter le débit.

Manette de verrouillage

La manette de verrouillage est pratique pour la pulvérisation sur une longue durée ou pour couvrir de grandes surfaces.

1. Pour verrouiller la gâchette marche/arrêt, appuyez sur la manette de verrouillage après avoir actionné la gâchette.
2. Pour relâcher la gâchette marche/arrêt, tirez la manette de verrouillage.

REMARQUE : Assurez-vous que la gâchette n'est pas verrouillée en position marche avant d'insérer la batterie dans le pulvérisateur.

RÉGLAGE ET CHANGEMENT DES BUSES

⚠ AVERTISSEMENT : Afin d'éviter de graves blessures, retirez la batterie avant de régler ou de changer les buses.

Le pulvérisateur est livré avec quatre buses : Buse réglable, buse à jet plat, buse de douche et buse à mousse. Changez la buse avant de commencer à travailler en fonction de la tâche à accomplir.

Buse réglable (Fig. G1) : Pulvérisation localisée des parterres de fleurs, des allées, des entrées, des patios et autour des arbres et des arbustes. Bordures le long des clôtures, des allées et des trottoirs. Brosse.

Buse à jet plat (Fig. G3) : Jet plat pour une couverture très large et pour les liquides à viscosité plus élevée. Préparation de grandes surfaces pour la plantation.

G-1	Buse à jet plat	G-3	Buse à mousse
G-2	Buse de douche		

Buse de douche (Fig. G3) : Produit un débit d'eau plus élevé pour l'arrosage et le traitement des plantes.

Buse de moussage (Fig. G3) : Marque visiblement les mauvaises herbes traitées. Pulvérisation localisée des mauvaises herbes dans la pelouse, autour des parterres de fleurs, des arbres et des arbustes. Bordures le long des clôtures, des allées et des trottoirs.

La buse réglable peut être réglée entre le jet et la pulvérisation (Fig. G1).

1. Tournez la partie moletée (texturée) de la buse dans le sens inverse des aiguilles d'une montre pour obtenir un jet.
2. Tournez la partie moletée (texturée) de la buse dans le sens des aiguilles d'une montre pour pulvériser.

Dévissez l'ensemble de la buse dans le sens inverse des aiguilles d'une montre pour la démonter et la changer (Fig. G2).

Débit des différentes buses livrées avec le pulvérisateur :

	Débit nominal (L/min)	Pression de service maximale (L/min)	Pression de travail optimale (L/min)
Buse réglable	2,3	2,7	2,4
Buse à jet plat	2,3	2,7	2,4
Buse de douche	2,3	2,9	2,7
Buse à mousse	2,3	2,7	2,4

PULVÉRISATION DE PRODUITS CHIMIQUES POUR LA MAISON ET LE JARDIN (Fig. H)

⚠ AVERTISSEMENT : Ne dirigez jamais la buse de la lance vers vous-même ou vers d'autres personnes.

⚠ AVERTISSEMENT : Il ne faut en aucun cas fumer, manger et boire pendant l'utilisation du pulvérisateur.

⚠ AVERTISSEMENT : Ne jamais pulvériser en direction des personnes ou des animaux ; toujours pulvériser dans le sens du vent.

⚠ AVERTISSEMENT : Risque d'incendie ou d'explosion. La zone de pulvérisation doit être bien aérée et à distance des étincelles ou des flammes.

1. Installez la batterie.
2. Tournez la molette de réglage de vitesse pour régler le débit souhaité.
3. Dirigez la buse du pulvérisateur directement vers les plantes ou les objets que vous souhaitez pulvériser.

REMARQUE : Faites attention à vous tenir suffisamment loin de l'objet pulvérisé afin d'éviter que le jet ne vous éclabousse.

4. Actionnez la gâchette pour démarrer le pulvérisateur.
5. Relâchez la gâchette pour arrêter le pulvérisateur.
6. Videz et nettoyez toujours le réservoir après chaque utilisation, de la manière indiquée à la section « **ENTRETIEN** ».

CONSEILS SUR L'UTILISATION

- Ajustez les bretelles du harnais de manière à ce que le pulvérisateur soit placé au-dessus de la taille et le réservoir contre le dos.
- Évitez de pulvériser les jours venteux. Le spray pourrait être accidentellement soufflé sur des plantes ou des objets qui ne doivent pas être pulvérisés.
- Pulvérisez tôt le matin ou en fin d'après-midi, et surtout par temps chaud. Une chaleur excessive peut faire évaporer le spray avant qu'il ne se dépose.

ENTRETIEN

⚠ AVERTISSEMENT : L'outil ne doit être réparé qu'avec des pièces de rechange identiques. L'utilisation de toute autre pièce peut créer un danger ou détériorer l'outil. Pour garantir la sécurité et la fiabilité, toutes les réparations doivent être effectuées par un réparateur qualifié.

⚠ AVERTISSEMENT : Afin d'éviter les risques de graves blessures corporelles, retirez la batterie du pulvérisateur avant de procéder à l'entretien, au nettoyage, au changement des buses, à toute maintenance ou lorsque le pulvérisateur n'est pas utilisé. Un pulvérisateur alimenté par batterie avec la batterie insérée est toujours sous tension et peut démarrer accidentellement.

ENTRETIEN GÉNÉRAL

Toutes les manipulations liées au pulvérisateur, à l'exception des éléments mentionnés dans cette notice de maintenance, doivent être réalisées par un technicien de service qualifié.

NETTOYAGE

N'utilisez pas de solvant pour nettoyer les pièces en plastique. La plupart des plastiques peuvent être détériorés par de nombreux types de solvants vendus dans le commerce. Utilisez un chiffon propre pour enlever les saletés, les poussières, l'huile, la graisse, etc.

⚠ AVERTISSEMENT : Ne laissez jamais des liquides de frein, de l'essence, des produits à base de pétrole, des huiles pénétrantes, etc. entrer en contact avec les pièces en plastique. Les produits chimiques peuvent endommager, fragiliser ou détruire le plastique, ce qui peut provoquer des blessures corporelles graves.

⚠ AVERTISSEMENT : Lors du nettoyage du pulvérisateur, NE L'IMMERGEZ PAS dans de l'eau ni dans aucun autre liquide.

⚠ AVERTISSEMENT : Stockez et éliminez toujours les produits chimiques de manière correcte. L'élimination des eaux de rinçage contaminées doit s'effectuer conformément aux ordonnances et règlements locaux.

- S'il reste du liquide dans le réservoir après la pulvérisation, vidangez le réservoir avant de le nettoyer.
- Utilisez toujours un chiffon doux et sec pour nettoyer l'extérieur du réservoir ; n'utilisez jamais de détergent ou d'alcool.
- Remplissez le réservoir environ au tiers avec de l'eau propre. Pulvérisez jusqu'à ce que le réservoir soit vidé. Veillez à diriger le jet vers une zone qui ne sera pas endommagée par la solution pulvérisée.
- Remplissez et répétez la procédure avec de l'eau propre. Il peut être nécessaire de rincer le réservoir plus d'une fois, puis de le vider à nouveau comme indiqué ci-dessus.
- Laissez toutes les pièces sécher complètement avant de réassembler et de ranger l'appareil.

ENTRETIEN DES BUSES

⚠ AVERTISSEMENT : Veillez à ce que l'entretien des buses soit effectué correctement afin d'éviter les fuites d'eau. Ces fuites peuvent rendre la surface glissante et créer un risque de glissade et de chute ou causer des dommages matériels.

Des motifs de jets irréguliers ou de fuites peuvent être la conséquence d'une buse obstruée ou sale.

1. Éteignez le pulvérisateur et retirez la batterie.
2. **Pour nettoyer la buse réglable (Fig. I1) :**
 - a. Dévissez et retirez la partie moletée (texturée) de la buse réglable.
 - b. Poussez un fil métallique fin (non fourni) dans les trous transversaux pour enlever les saletés. Si nécessaire, rincez les trous transversaux et la buse à l'eau claire.
 - c. Essuyez la buse avec un chiffon propre et sec et remettez-la en place.
3. **Pour nettoyer le ventilateur et la buse à mousse (Fig. I2) :**
 - a. Dévissez et retirez la buse de la lance de pulvérisation.
 - b. Poussez un fil métallique fin (non fourni) dans le trou pour éliminer toutes les saletés. Si nécessaire, rincez la buse à l'eau claire.
 - c. Essuyez la buse avec un chiffon propre et sec et

remettez-la en place.

FR

TRANSPORT ET RANGEMENT (Fig. L)

- Retirez la batterie.
- Mettez la molette de réglage de vitesse sur la position d'arrêt (avec le point rouge de la molette vers la lance de pulvérisation).
- Nettoyez soigneusement le pulvérisateur.
- Videz le réservoir, le tuyau et la lance de pulvérisation.

REMARQUE : Avant le rangement, notamment avant la saison hivernale, veillez à vider le réservoir, le tuyau et la lance de pulvérisation afin d'éviter que la machine ne gèle et ne s'abîme, ce qui l'empêcherait de démarrer après l'hivernage.

- Fixez la lance de pulvérisation dans la base et le clip de rangement.

J-1	Clip de rangement	J-3	Poignée de transport
J-2	Socle		

- Soulevez le pulvérisateur par la poignée de transport ou transportez-le à l'aide du harnais de soutien pour le déplacer.

- Rangez le pulvérisateur à l'intérieur, dans un endroit bien aéré.
- Veillez à ce qu'il reste à l'écart de produits corrosifs, par exemple les produits chimiques de jardinage et les sels de déverglaçage.

Protection de l'environnement



Ne jetez pas les équipements électriques, les batteries et les chargeurs usagés avec les ordures ménagères !

Apportez ce produit chez un recycleur agréé et rendez-le disponible pour une collecte séparée. Les outils électriques doivent être amenés dans un centre de recyclage pour assurer le respect de l'environnement.

GUIDE DE DÉPANNAGE

FR

PROBLÈME	CAUSE	SOLUTION
Le pulvérisateur ne démarre pas.	<ul style="list-style-type: none"> ■ La batterie n'est pas entièrement insérée dans son compartiment. ■ Il n'y a pas de contact électrique entre le pulvérisateur et la batterie. ■ La batterie est déchargée. ■ La batterie ou le pulvérisateur est trop chaud. 	<ul style="list-style-type: none"> ■ Vérifiez si la batterie est entièrement insérée dans le compartiment à batterie. ■ Retirez la batterie, inspectez les contacts, puis réinsérez la batterie. ■ Rechargez la batterie. ■ Éteignez le pulvérisateur et laissez refroidir la batterie ou le pulvérisateur jusqu'à ce que la température descende dans la plage de température de fonctionnement recommandée.
Le moteur tourne mais rien ne sort de la buse.	<ul style="list-style-type: none"> ■ Faible niveau de liquide dans le réservoir. ■ La buse s'est bouchée au cours du travail. 	<ul style="list-style-type: none"> ■ Vérifiez et assurez-vous qu'il y a suffisamment de liquide dans le réservoir. ■ Nettoyez la ou les buses conformément au chapitre « ENTRETIEN DES BUSES » et remontez-les en suivant les consignes.
Du liquide fuit entre la lance et la poignée de commande.	<ul style="list-style-type: none"> ■ L'embout de la lance est desserré. 	<ul style="list-style-type: none"> ■ Serrez l'embout.
Du liquide fuit entre la buse et la lance de pulvérisation.	<ul style="list-style-type: none"> ■ La buse est desserrée ou mal installée. 	<ul style="list-style-type: none"> ■ Réinstallez correctement et fermement la buse, voir chapitre « RÉGLAGE ET CHANGEMENT DES BUSES ».

GARANTIE

POLITIQUE DE GARANTIE EGO

Rendez-vous sur le site web egopowerplus.eu pour consulter l'intégralité des conditions de la politique de garantie EGO.

¡LEA TODAS LAS INSTRUCCIONES!**LEA EL MANUAL DEL USUARIO****ES**

⚠ ADVERTENCIA: Para garantizar la seguridad y fiabilidad de la herramienta, las reparaciones debe realizarlas únicamente un técnico cualificado.

⚠ ADVERTENCIA: Asegúrese de leer y comprender todas las instrucciones de seguridad de este manual del operador, incluidos todos los símbolos de alerta de seguridad como "PELIGRO", "ADVERTENCIA" y "PRECAUCIÓN" antes de usar esta herramienta. Si no se observan todas las instrucciones que se indican a continuación existe riesgo de incendio, electrocución y lesiones graves.

CONSERVE TODAS LAS INSTRUCCIONES Y ADVERTENCIAS PARA PODER CONSULTARLAS EN EL FUTURO.

SÍMBOLOS DE SEGURIDAD

⚠ ADVERTENCIA: Cuando se utilizan herramientas eléctricas, es posible que salgan despedidos objetos que podrían causar lesiones oculares graves. Antes de empezar a usar herramientas eléctricas, póngase siempre gafas de seguridad, gafas con cristales anti-impacto que cuenten con pantallas de protección lateral, o bien una máscara facial que proteja completamente la cara. Recomendamos usar una máscara de seguridad de amplia visión que pueda utilizarse encima de gafas graduadas, o bien gafas normales de seguridad equipadas con pantallas laterales.



Aviso de seguridad



Para reducir el riesgo de lesiones, el usuario debe leer y comprender el manual del usuario antes de utilizar este producto.



Use ropa protectora.



Mantenga alejadas a las personas presentes durante la pulverización.



Use un protector facial.



Este producto está en conformidad con las directivas de la CE aplicables.



Nivel de potencia acústica garantizado. La emisión de ruido al medio ambiente cumple la directiva de la Comunidad Europea.



Este producto está en conformidad con la legislación aplicable del Reino Unido.



Los productos eléctricos no deben eliminarse con la basura doméstica. Llévelos a un centro de reciclaje autorizado.



Protección contra las salpicaduras de agua



Corriente continua

./min Por minuto



Tensión



Velocidad sin carga



Milímetro

ADVERTENCIAS GENERALES DE SEGURIDAD

⚠ ADVERTENCIA: Lea todas las advertencias de seguridad, instrucciones, ilustraciones y especificaciones incluidas con esta máquina. Si no se cumplen todas las instrucciones que se enumeran a continuación, pueden producirse descargas eléctricas, incendios o lesiones graves.

Conserve todas las instrucciones y advertencias para poder consultarlas en el futuro.

El término “máquina” que aparece en las advertencias se refiere a la máquina que funciona conectada a la red eléctrica (con cable) o a la máquina a batería (sin cable).

SEGURIDAD EN LA ZONA DE TRABAJO

- **Mantenga la zona de trabajo limpia y bien iluminada.** Las áreas de trabajo desordenadas y oscuras favorecen los accidentes.
- **No utilice máquinas en entornos explosivos, por ejemplo, en presencia de líquidos, gases o polvo inflamables.** Las máquinas crean chispas que pueden encender el polvo o los humos.
- **Mantenga a los niños y las demás personas alejados cuando esté utilizando una máquina.** Las distracciones podrían hacerle perder el control de la herramienta.

SEGURIDAD ELÉCTRICA

- **Los enchufes de las máquinas deben coincidir con la toma de corriente. No modifique nunca el enchufe de ningún modo. Nunca utilice enchufes adaptadores o ladrones de corriente con máquinas equipadas con conexión a tierra.** Si no se modifican los enchufes y estos corresponden con las tomas de corriente, se reducirán enormemente los riesgos de electrocución.
- **Evite cualquier contacto corporal con superficies conectadas a tierra, como tuberías, radiadores, hornillos eléctricos y frigoríficos.** Existe un mayor riesgo de descarga eléctrica si su cuerpo tiene conexión a tierra.
- **No exponga las máquinas a la lluvia o a condiciones de humedad.** La entrada de agua en una máquina aumentará el riesgo de descarga eléctrica.
- **No maltrate el cable. Nunca utilice el cable para transportar, arrastrar, o desenchufar la máquina. Mantenga el cable alejado del calor, el aceite, los bordes afilados o las piezas móviles.** Los cables dañados o enredados aumentan el riesgo de descarga eléctrica.

- **Cuando use una máquina al aire libre, utilice un cable alargador adecuado para uso en exteriores.** Si se usa un cable adecuado para exteriores, se reducirá el riesgo de descarga eléctrica.
- **Si es inevitable usar una máquina en un entorno húmedo, utilice una alimentación con interruptor diferencial (RCD).** La utilización de un interruptor de protección diferencial reducirá el riesgo de electrocución.

SEGURIDAD PERSONAL

- **Manténgase alerta, preste atención a lo que está haciendo y aplique el sentido común durante el uso de una máquina. No utilice una máquina si está cansado o se encuentra bajo los efectos de estupefacientes, alcohol o fármacos.** Cualquier momento de descuido durante la utilización de máquinas podría provocar lesiones físicas graves.
- **Utilice equipo de protección personal. Utilice siempre protección ocular.** El equipo de protección, como máscaras antipolvo, calzado de seguridad antideslizante, casco protector o protección auditiva, cuando se utiliza adecuadamente, reduce las lesiones personales.
- **Evite la puesta en marcha accidental de la herramienta. Asegúrese de que el interruptor de encendido se encuentra en la posición de apagado antes de enchufar la máquina a la red eléctrica y/o de acoplar la batería, así como al agarrar o transportar la máquina.** Transportar máquinas con el dedo en el interruptor o con el interruptor en la posición de encendido aumenta el riesgo de accidente.
- **Retire cualquier llave de ajuste o llave inglesa de la máquina antes de encenderla.** Una llave inglesa o una llave de ajuste enganchada a una parte giratoria de la máquina puede producir lesiones.
- **No se estire demasiado para alcanzar lugares de difícil acceso. Mantenga una posición firme y equilibrada en todo momento.** De este modo podrá controlar mejor la máquina en situaciones inesperadas.
- **Utilice ropa adecuada. No lleve ropa holgada ni joyas. Mantenga el pelo, la ropa y los guantes alejados de las piezas móviles.** La ropa holgada, así como las joyas o el pelo largo podrían engancharse en las partes móviles.
- **Si se incluyen dispositivos de conexión a extractores y colectores de polvo, asegúrese de conectarlos y utilizarlos adecuadamente.** El uso de un colector de polvo puede reducir los riesgos asociados con el polvo.
- **El hecho de haberse familiarizado con la máquina**

ES

por el uso frecuente no debe hacer que se descuide e ignore los principios de seguridad de la misma. Una distracción puede provocar lesiones graves en una fracción de segundo.

ES

USO Y CUIDADO DE LA MÁQUINA

- **No fuerce la máquina. Utilice la máquina correcta para su aplicación.** La máquina correcta funcionará mejor y con más seguridad a la velocidad para la que ha sido diseñada.
 - **No use la máquina si el interruptor no funciona para encenderla y apagarla.** Cualquier máquina que no pueda controlarse mediante su interruptor, supondrá un peligro y deberá repararse antes de poder utilizarse.
 - **Desconecte el enchufe de la toma de corriente y/o retire la batería de la máquina antes de realizar algún ajuste, cambiar de accesorios o guardarla.** Estas medidas preventivas de seguridad reducirán enormemente el riesgo de que la máquina pueda activarse de manera fortuita.
 - **Cuando no se utilice la máquina, guárdela fuera del alcance de los niños y no permita que la use ninguna persona que no esté familiarizada con la máquina o con estas instrucciones.** Las máquinas son peligrosas si las usan personas sin experiencia.
 - **Realice el mantenimiento de las máquinas y los accesorios. Compruebe si hay elementos móviles desalineados o trabados, piezas rotas u otra circunstancia que pueda afectar al funcionamiento de la máquina. Si la máquina está dañada, llévela a reparar antes de usarla.** Muchos accidentes se deben a un mantenimiento deficiente de las máquinas.
 - **Mantenga las herramientas de corte afiladas y limpias.** Las herramientas de corte bien afiladas tienen menos probabilidades de atascarse y son más fáciles de controlar.
 - **Use la máquina, los accesorios, las brocas, etc., siguiendo las instrucciones y teniendo en cuenta las condiciones de trabajo y la tarea a realizar.** El uso de la máquina para fines diferentes a los previstos podría provocar situaciones de peligro.
 - **Mantenga las asas y las superficies de agarre secas, limpias y libres de aceite y grasa.** Si las asas y las superficies de agarre están resbaladizas, no se puede manejar la máquina de forma segura ni mantener el control en las situaciones inesperadas.
- un tipo de batería podría ocasionar un incendio si se utiliza con una batería distinta.
- **Utilice las máquinas solo con las baterías diseñadas específicamente para ellas.** El uso de cualquier otro tipo de batería puede provocar riesgo de lesiones e incendio.
 - **Cuando no se esté utilizando la batería, manténgala apartada de objetos metálicos como clips para papeles, monedas, llaves, clavos, tornillos, o cualquier otro objeto metálico pequeño que pudiera provocar un cortocircuito en sus terminales de corriente.** Si se provoca el cortocircuito en los terminales de la batería, podrían producirse quemaduras o incendios.
 - **En condiciones de uso intensivo, es posible que se produzca una fuga de líquido de la batería; evite el contacto. Enjuague con agua si se produce un contacto accidental. Si el líquido entra en contacto con los ojos, solicite también atención médica.** El líquido que emana de la batería puede provocar irritaciones o quemaduras.
 - **No utilice una batería o una máquina que haya sido modificada o que esté dañada.** Las baterías dañadas o modificadas pueden tener un comportamiento impredecible y provocar un incendio, explosión o riesgo de lesiones.
 - **No exponga la batería ni la máquina al fuego ni a una temperatura excesiva.** La exposición al fuego o a una temperatura superior a 130°C podría provocar una explosión.
 - **Siga todas las instrucciones de carga y no cargue la batería ni la máquina fuera del rango de temperatura especificado en las instrucciones.** Una carga incorrecta o a temperaturas fuera del rango especificado puede dañar la batería y aumentar el riesgo de incendio.

SERVICIO TÉCNICO

- **Las reparaciones de la máquina debe realizarlas un técnico cualificado, utilizando solo piezas de recambio idénticas.** Solo de este modo podrá garantizarse la seguridad de la máquina.
- **No repare nunca baterías que estén dañadas.** Las baterías solo debe repararlas el fabricante o un centro de servicio técnico autorizado.

INSTRUCCIONES DE SEGURIDAD PARA EL PULVERIZADOR INALÁMBRICO

⚠ PELIGRO: Riesgo de incendio o explosión. No

rocíe líquidos inflamables como gasolina.

ADVERTENCIA:

- Para evitar lesiones, siempre use protección para los ojos, respiratoria y de la piel.
- Para reducir el riesgo de descarga eléctrica, no exponga el aparato a la lluvia.
- Solo para uso doméstico y al aire libre.
- No rocíe líquidos inflamables o combustibles en un área confinada. Cuando se pulveriza un líquido combustible, existe el peligro de incendio o explosión, especialmente en un área confinada.
- El área de pulverización debe estar bien ventilada.
- No fume mientras pulveriza ni pulverice donde haya chispas o llamas.
- Antes de llenar el tanque, retire siempre la batería. Limpie cualquier derrame antes de insertar el paquete de baterías. Seguir esta regla reducirá el riesgo de descarga eléctrica y de que entren líquidos corrosivos en el paquete de baterías, lo que puede provocar fallas en el paquete de baterías, incluido un cortocircuito, lo que provocará humo, incendio y/o lesiones personales graves.
- No permita que líquidos conductores o corrosivos entren en el paquete de baterías. Si se derraman fluidos conductores o corrosivos sobre el paquete de baterías, consulte las instrucciones en el manual del operador de su paquete de baterías.
- Antes de usar materiales en aerosol en este pulverizador, lea detenidamente la etiqueta en el envase original del material y siga sus instrucciones. Algunos materiales de pulverización son peligrosos y no deben usarse en este pulverizador, ya que pueden dañar el pulverizador y causar lesiones corporales graves o daños a la propiedad.
- Conozca el contenido del producto químico que se está pulverizando. Lea todas las Hojas de Datos de Seguridad (SDS) y las etiquetas de los recipientes proporcionadas con el producto químico. Siga las instrucciones de seguridad del fabricante de productos químicos.
- Peligro de descarga eléctrica. Nunca pulverice hacia los enchufes eléctricos.
- No vierta líquidos calientes o hirviendo en el tanque. Estos pueden debilitar o dañar los tubos o el tanque.
- Evite pulverizar en días ventosos. El aerosol puede ser soplado accidentalmente sobre plantas u objetos que no deben ser pulverizados.
- Guarde el pulverizador en un espacio interior seguro y bien ventilado con el tanque de líquido vacío.
- No rocíe lejía ni peróxido de hidrógeno.
- No rocíe productos químicos a base de alcohol.
- No rocíe polvos ni productos químicos abrasivos.
- No rocíe líquidos cáusticos (alcalinos) o autocalentables.
- No utilice productos químicos peligrosos para el medio ambiente que no estén permitidos según lo definido por las regulaciones locales.
- No apunte la boquilla del pulverizador en dirección a personas o mascotas.
- No permita nunca que utilicen la máquina niños o personas con discapacidades físicas, sensoriales o mentales, o que no cuenten con la experiencia o los conocimientos necesarios, ni quienes no estén familiarizados con estas instrucciones.
- El operario o usuario es responsable de cualquier accidente o peligro que se produzca para otras personas o bienes materiales.
- El pulverizador se utilizará únicamente con productos fitosanitarios aprobados por las autoridades reguladoras locales/nacionales para productos fitosanitarios para uso con pulverizadores de mochila.
- Riesgo de inyección. No descargar directamente sobre la piel. Mantener todas las partes del cuerpo fuera del patrón de pulverización.
- No deje residuos ni material de pulverización en el tanque después de usar el pulverizador. Limpiar después de cada uso.
- Para reducir el riesgo de incendio o explosión, utilice un líquido con un punto de inflamación superior a 60°C.
- Para reducir el riesgo de descarga eléctrica, no sumerja el pulverizador en agua u otro líquido. No coloque ni guarde el pulverizador donde pueda caerse o ser arrastrado a una bañera o fregadero.
- Realice el mantenimiento de este producto. Inspeccione minuciosamente tanto el interior como el exterior del pulverizador y examine los componentes antes de cada uso. Verifique si hay grietas y deterioro en el tanque, fugas, boquillas obstruidas y piezas faltantes o dañadas. Si está dañado, haga reparar el producto antes de usarlo. Muchos accidentes se deben a un mantenimiento deficiente de los productos.
- Apague el interruptor de encendido cuando el


ES

pulverizador no esté en uso y antes de realizar el mantenimiento o la limpieza.

- **Desconecte la batería de la unidad antes de vaciar, limpiar o almacenar el pulverizador.** Tales medidas de seguridad preventivas reducen el riesgo de arranque accidental.
- **Siempre use protección ocular con protectores laterales o gafas.** El no hacerlo podría resultar en que fluidos entren en sus ojos, resultando en una posible lesión grave.
- **Proteja sus pulmones. Use equipo de seguridad aprobado, como mascarillas especialmente diseñadas para filtrar aerosoles, guantes y otro equipo de protección adecuado.** El cumplimiento de esta norma contribuirá a reducir el riesgo de lesiones personales graves. Siga las instrucciones de seguridad y las pautas del fabricante del producto químico que figuran en la hoja SDS.
- **Los productos químicos y los vapores químicos pueden ser peligrosos y causar lesiones graves, daños permanentes o la muerte si se ingieren, inhalan o salpican en los ojos o en la piel.** Siga las instrucciones de seguridad y las pautas del fabricante del producto químico que figuran en la hoja SDS.
- **Para evitar el riesgo de lesiones, es necesario una supervisión estrecha cuando el pulverizador se utilice cerca de niños.**
- **No contacte con las partes móviles.**
- **Utilice solo accesorios que hayan sido recomendados o suministrados por el fabricante.**
- **Evite la puesta en marcha accidental de la herramienta. Asegúrese de que el interruptor se encuentra en la posición de apagado antes de conectar la batería, así como al recoger o transportar el aparato.** Si lleva un aparato con el dedo puesto sobre el interruptor, o si enchufa un aparato con el interruptor encendido, pueden producirse accidentes.

GUARDE ESTAS INSTRUCCIONES

ESPECIFICACIONES

Tensión nominal	56 V 
Máx. Capacidad del tanque	15L
Máx. Presión de trabajo	24 bar
Máx. Caudal de pulverización (con boquilla ajustable, modo de pulverización)	2,3 l/min
Diámetro del filtro de entrada	35 mm
Tamaño del filtro de malla de entrada	0,35 mm
Diámetro del filtro de salida	124 mm
Peso (peso en seco, sin batería)	7,6 kg
Temperatura de funcionamiento recomendada	de 5 °C a 40 °C
Temperatura de almacenamiento recomendada	de -20 °C a 70 °C
Temperatura de carga recomendada	de 5 °C a 40 °C

⚠ ADVERTENCIA: Antes de utilizar un pulverizador de mochila, asegúrese de confirmar que su peso total, incluida la máquina, el líquido del depósito, la boquilla y la batería utilizada, no supere los 25 kg para evitar lesiones y pérdida del equilibrio.

- El valor de vibración total ha sido medido de acuerdo con el método de prueba estándar y se puede utilizar para comparar herramientas;
- El valor total de vibración declarado se puede usar además en una evaluación preliminar del grado de exposición.

AVISO: Las vibraciones generadas durante el uso real de la herramienta eléctrica pueden diferir del valor declarado en función de la manera en que se utilice. Como protección, el usuario debería utilizar guantes y protectores auditivos en condiciones reales de uso.

LISTA DE CONTENIDO (FIG. A1)

DESCRIPCIÓN

CONOZCA SU PULVERIZADOR (FIG. A1)

1. Manguera
2. Compartimento de la batería
3. Tanque
4. Tapón del tanque
5. Asa de transporte
6. Arnés de soporte ajustable
7. Selector de velocidad
8. Palanca de bloqueo
9. Gatillo de encendido/apagado
10. Mango de control
11. Caperuza
12. Lanza de pulverización
13. Boquilla ajustable
14. Boquilla de abanico
15. Boquilla de espuma
16. Boquilla de ducha

MONTAJE

⚠ ADVERTENCIA: Si alguna pieza falta o está rota, no utilice el producto hasta haber sustituido las piezas. Podrían producirse lesiones graves en caso de utilizar el producto si alguna de sus piezas falta o está dañada.

⚠ ADVERTENCIA: No intente modificar este producto ni fabricar accesorios no recomendados para su uso en este producto. Cualquier alteración o modificación se considerará uso indebido y podría provocar una situación peligrosa con riesgo de sufrir lesiones graves.

⚠ ADVERTENCIA: Para evitar un arranque accidental que podría causar lesiones personales graves, retire siempre el paquete de baterías de la máquina cuando monte piezas, realice ajustes, limpie o cuando el producto no esté en uso.

- Este producto requiere montaje.
- Con cuidado, extraiga el producto y los accesorios del embalaje. Asegúrese de que todos los elementos que se muestran en la “**Lista de embalaje**” están incluidos.
- Examine minuciosamente el producto para asegurarse de que no haya sufrido roturas o daños durante su transporte.

- No deseche el material de embalaje hasta haber examinado detenidamente el producto y comprobado su funcionamiento correcto.
- Si alguna pieza faltase o estuviera dañada, devuelva el producto a la tienda donde lo haya adquirido.

ES

CONEXIÓN DE LA LANZA DE PULVERIZACIÓN AL MANGO DE CONTROL

1. Enrosque el tapón del extremo de la lanza de pulverización en el mango de control y apriete firmemente en el sentido de las agujas del reloj (Fig. B).
2. Tire de la lanza de pulverización para asegurarse de que esté bien sujeta.

FUNCIONAMIENTO

⚠ ADVERTENCIA: No permita que el hecho de estar familiarizado con el producto le haga descuidarse. Recuerde que cualquier distracción de una fracción de segundo es suficiente para provocar lesiones graves.

⚠ ADVERTENCIA: Utilice equipo de protección personal. Proteja sus ojos, piel y pulmones mientras mezcla, llena, pulveriza y limpia. De lo contrario, podrían producirse lesiones personales graves y daños a la propiedad.

⚠ ADVERTENCIA: Para evitar lesiones personales graves, retire la batería del aparato antes de realizar tareas de mantenimiento, limpieza, cambio de accesorios, llenar o vaciar el tanque.

⚠ ADVERTENCIA: No utilice piezas o accesorios no recomendados por el fabricante de este producto. La utilización de piezas o accesorios no recomendados puede provocar lesiones graves.

Antes de cada uso, examine todo el producto para ver si hay piezas dañadas, extraviadas o sueltas, como tornillos, tuercas, pernos, tapones, etc. Apriete bien todas las sujeciones y los tapones y no ponga en marcha el producto hasta haber reemplazado todas las piezas que falten o que estén dañadas.

USO PREVISTO

Este producto puede utilizarse para los fines indicados a continuación:

- Aplicar fertilizantes y regar las plantas.
- Pulverizar herbicidas, pesticidas y fungicidas.

AVISO: El producto está diseñado solo para uso hortícola y agrícola.

AVISO: El producto debe utilizarse únicamente para los fines previstos. Cualquier otro uso se considerará uso indebido.

ES

⚠️ ADVERTENCIA: La aplicación incorrecta de productos químicos o soluciones puede resultar en LESIONES GRAVES o MUERTE. Siga las instrucciones de seguridad y las pautas del fabricante del producto químico que figuran en la hoja SDS.

LLENADO DEL TANQUE (Fig. C)

⚠️ ADVERTENCIA: Siga siempre las instrucciones del fabricante de productos químicos impresas en el etiquetado de su producto para su uso, limpieza y almacenamiento. No mezcle productos químicos. Limpie el tanque a fondo después de cada uso, siguiendo las instrucciones en la sección "MANTENIMIENTO" de este manual. Los productos químicos deben almacenarse fuera del alcance de los niños. El incumplimiento de esta advertencia puede resultar en lesiones personales graves.

⚠️ ADVERTENCIA: Para evitar lesiones y pérdida del equilibrio, asegúrese de que la cantidad de líquido añadido al depósito no haga que el peso total del pulverizador, incluida la máquina, el líquido del depósito, la boquilla y la batería utilizada, supere los 25 kg.

Los productos químicos líquidos que se vayan a pulverizar deben ser tan finos como el agua. Los líquidos más espesos no se pulverizarán correctamente. No llene el tanque demasiado.

1. Quite la batería.
2. Desenrosque la tapa del tanque en sentido antihorario y retírela del tanque.
3. Coloque el pulverizador sobre una superficie nivelada.
4. Llena el tanque con la cantidad deseada de agua.
5. Mide la cantidad recomendada de producto químico líquido.
6. Vierta cuidadosamente el químico líquido en el tanque.
7. Vuelva a enroscar la tapa del tanque en el pulverizador, asegurándose de que esté bien apretada.

Las soluciones de pulverización pueden mezclarse previamente y verterse en el pulverizador.

AVISO: Si utiliza un recipiente medidor para contener el líquido, asegúrese de limpiar y enjuagar bien el recipiente después de su uso. Si se premezcla la solución de pulverización, enjuague el recipiente utilizado para

mezclarla.

AVISO: Es importante limpiar a fondo el pulverizador después de cada uso. Permitir que el líquido permanezca en un pulverizador inactivo durante un período prolongado puede hacer que sus piezas móviles y conectores se atasquen.

INSTALACIÓN/RETIRADA DE LA BATERÍA

Utilice únicamente los modelos de baterías y cargadores de EGO indicados en la fig. A2.

Consulte los manuales de las baterías y cargadores correspondientes para obtener más detalles.

Cargue totalmente la batería antes de usarla por primera vez.

1. Levante la tapa del compartimiento de las baterías elevando la parte delantera de la tapa (Fig. D1).
2. **Para instalarla,** alinee las nervaduras de la batería con las ranuras de montaje, e introduzca la batería presionándola hacia abajo hasta oír un "clic" (Fig. D1).
3. **Para sacarla,** pulse el botón de liberación de la batería y saque la batería tirando de ella (Fig. D2).
4. Cierre la tapa del compartimiento de las baterías.

⚠️ ADVERTENCIA: Preste atención siempre a la posición de sus pies, así como a la presencia de niños o mascotas cuando pulse el botón de desbloqueo de la batería. La caída de la batería podría provocar lesiones graves. No quite NUNCA la batería en un lugar elevado.

⚠️ ADVERTENCIA: Asegúrese de que el pestillo del pulverizador encaje en su lugar, que la batería esté asegurada al pulverizador y que la tapa del compartimiento de la batería esté completamente cerrada antes de comenzar la operación. Si no se coloca firmemente el acumulador, podría caerse y provocar graves lesiones personales.

⚠️ ADVERTENCIA: Para evitar lesiones personales graves, retire siempre la batería y mantenga las manos alejadas del mango de control al levantar o transportar el pulverizador.

COLOCACIÓN DEL PULVERIZADOR DE MOCHILA

⚠️ ADVERTENCIA: Vístase adecuadamente para reducir el riesgo de lesiones al operar este aparato. No lleve puesta ropa holgada ni joyas. Utilice protección ocular. Utilice pantalones largos, botas y guantes resistentes. No utilice pantalones cortos, sandalias, ni vaya descalzo.

Antes de usar el pulverizador de mochila, asegúrese de que el operador use protección para los ojos y ropa adecuada y que pueda mantener una posición segura y equilibrada.

Para ajustar el arnés de soporte

1. Introduzca los brazos por las correas de la mochila para sujetar el pulverizador en su espalda.
2. Ajuste temporalmente ambas correas de los hombros a posiciones cómodas (Fig. E1), asegurándose de que su codo esté cómodo.
3. Enganche la hebilla del pecho y ajuste la longitud de la correa del pecho en caso necesario (Fig. E2).
4. Enganche la hebilla de la cintura y ajuste la longitud de la correa de la cintura, de forma que la mochila quede apoyada de forma segura en sus caderas (Fig. E3 y E4).

NOTA: La mochila no debe llevarse demasiado alta en la espalda; debe estar colocada más cerca de las caderas que de los hombros.

⚠ ADVERTENCIA: Cuando ocurra una emergencia, suelte las hebillas del pecho y la cintura inmediatamente para quitarse la correa de la mochila a cada lado. Este es un método de liberación rápida.

5. Vuelva a ajustar las correas de los hombros de forma segura y cómoda. Compruebe que la mochila esté colocada de forma segura en su espalda, con el peso apoyado en la correa de la cintura, y sin que se mueva demasiado cuando se mueve usted (Fig. E5).
6. Pase la correa sobrante alrededor de la cintura e insértela en los elásticos que hay a ambos lados (Fig. E6).
7. Para quitarse la mochila de la espalda, presione las hebillas de la cintura y del pecho para abrirlas y después baje el pulverizador (Fig. E7).

INICIAR/DETENER EL PULVERIZADOR (FIG. F)

Selector de velocidad

1. Para aumentar el caudal, gire el selector de velocidad en el sentido de las agujas del reloj.

F-1	Selector de velocidad	F-3	Gatillo de encendido/apagado
F-2	Palanca de bloqueo		

2. Para disminuir el caudal, gire el selector de velocidad en sentido antihorario.

3. El pulverizador se detendrá si sigue girando el selector a la posición "OFF".

⚠ ADVERTENCIA: Para evitar un arranque involuntario, gire el selector de velocidad a la posición de apagado (el punto rojo en el selector apunta hacia la lanza de pulverización).

⚠ ADVERTENCIA: Antes de guardar la máquina, dejarla durante largo tiempo o reemplazar el paquete de baterías, siempre gire el selector de velocidad a la posición de apagado (el punto rojo en el selector apunta hacia la lanza de pulverización).

Gatillo de encendido/apagado

1. Presione el gatillo de encendido/apagado para encender el pulverizador.
2. Suelte el gatillo para detener el caudal.

Palanca de bloqueo

La palanca de bloqueo es útil cuando se pulveriza durante un período prolongado o cuando se cubre un área grande.

1. Para bloquear el gatillo de encendido/apagado, presione la palanca de bloqueo después de apretar el gatillo.
2. Para soltar el gatillo de encendido/apagado, tire de la palanca de bloqueo.

AVISO: Asegúrese de que el gatillo no esté bloqueado antes de insertar la batería en el pulverizador.

AJUSTE Y CAMBIO DE LAS BOQUILLAS

⚠ ADVERTENCIA: Para evitar lesiones personales graves, retire el paquete de baterías antes de ajustar o cambiar las boquillas.

El pulverizador viene con cuatro boquillas: Boquilla ajustable, boquilla de abanico, boquilla de ducha y boquilla de espuma. Cambie la boquilla antes de empezar a trabajar para adaptarla a la tarea en cuestión.

Boquilla ajustable (Fig. G1): Pulverización localizada en macizos de flores, pasillos, entradas de vehículos, patios y alrededor de árboles y arbustos. Bordeado de cercas, caminos de entrada y senderos. Eliminación de maleza.

Boquilla de abanico (Fig. G3): Pulverización plana para una cobertura muy amplia y líquidos de mayor viscosidad. Preparación de grandes áreas para plantar.

G-1	Boquilla de abanico	G-3	Boquilla de espuma
G-2	Boquilla de ducha		

Boquilla de ducha (Fig. G3): Saca un flujo más alto de agua para regar y tratar las plantas.

Boquilla de espuma (Fig. G3): Marca visiblemente las malas hierbas tratadas. Pulverización localizada de las malas hierbas en el césped, alrededor de macizos de flores, árboles y arbustos. Bordeado de cercas, caminos de entrada y senderos.

La boquilla ajustable se puede ajustar entre chorro y pulverización (Fig. G1).

1. Gire la parte estriada (texturizada) de la boquilla en sentido antihorario para el chorro.
2. Gire la parte estriada (texturizada) de la boquilla en el sentido de las agujas del reloj para pulverizar.

Desenrosque toda la boquilla en sentido antihorario para quitar y cambiar la boquilla (Fig. G2).

Caudal de diferentes boquillas que vienen con el pulverizador:

	Tasa de flujo nominal (L/min)	Presión de trabajo máxima (L/min)	Presión de trabajo óptima (L/min)
Boquilla ajustable	2,3	2,7	2,4
Boquilla de abanico	2,3	2,7	2,4
Boquilla de ducha	2,3	2,9	2,7
Boquilla de espuma	2,3	2,7	2,4

PULVERIZADO DE PRODUCTOS QUÍMICOS PARA EL HOGAR Y EL JARDÍN (Fig. H)

⚠️ ADVERTENCIA: Nunca apunte la boquilla de la lanza hacia usted mismo u otros.

⚠️ ADVERTENCIA: Nunca fume, coma o beba mientras opera el pulverizador.

⚠️ ADVERTENCIA: Nunca pulverice en la dirección de personas o animales; siempre pulverice a favor del viento.

⚠️ ADVERTENCIA: Riesgo de incendio o explosión. El área de pulverización debe estar bien ventilada y alejada de chispas o llamas.

1. Instale la batería.

2. Gire el selector de velocidad para establecer un caudal deseado.
3. Apunta la boquilla del pulverizador directamente a las plantas u objetos que desea pulverizar.

NOTA: Asegúrese de estar lo suficientemente lejos del objeto que se está pulverizando para evitar que el rociado le salpique.

4. Presione el gatillo para iniciar el pulverizador.
5. Suelte el gatillo para detener el pulverizador.
6. Vacíe y limpie siempre el tanque después de cada uso según las instrucciones de la sección "MANTENIMIENTO".

CONSEJOS DE USO

- Ajuste las correas de los hombros del arnés, de modo que el pulverizador quede por encima de su cintura y el tanque esté cerca de su espalda.
- Evite pulverizar en días ventosos. El aerosol puede ser soplado accidentalmente sobre plantas u objetos que no deben ser pulverizados.
- Rocíe temprano en la mañana o al final de la tarde, especialmente en climas más cálidos. El calor excesivo puede evaporar la pulverización antes de que se asiente.

MANTENIMIENTO

⚠️ ADVERTENCIA: Cuando repare la herramienta, utilice solo piezas idénticas a las originales. La utilización de otras piezas podría suponer un peligro o causar daños en el producto. Para garantizar la seguridad y fiabilidad de la herramienta, las reparaciones debe realizarlas únicamente un técnico cualificado.

⚠️ ADVERTENCIA: Para evitar lesiones personales graves, retire la batería del pulverizador antes de realizar tareas de mantenimiento, limpieza, cambio de boquillas, realizar cualquier mantenimiento o cuando el pulverizador no esté en uso. Un pulverizador que funciona con baterías con la batería insertada siempre está encendido y puede arrancar accidentalmente.

MANTENIMIENTO GENERAL

Todo el servicio del pulverizador, excepto los elementos enumerados en estas instrucciones de mantenimiento, debe ser realizado por un técnico de servicio cualificado.

LIMPIEZA

Evite utilizar disolventes para limpiar las piezas de plástico. La mayoría de los plásticos podrían dañarse

si se limpian con algunos de los tipos de disolventes disponibles en el mercado. Utilice un paño limpio para eliminar la suciedad, polvo, aceite, grasa, etc.

⚠ ADVERTENCIA: No deje nunca que las piezas de plástico entren en contacto con líquido de frenos, gasolina, productos derivados del petróleo, aceites penetrantes, etc. Los productos químicos podrían dañar, debilitar o destruir el plástico, con el consiguiente riesgo de provocar lesiones graves.

⚠ ADVERTENCIA: Al limpiar el pulverizador, NO lo sumerja en agua u otros líquidos.

⚠ ADVERTENCIA: Siempre almacene y deseche los productos químicos adecuadamente. La eliminación del agua de enjuague contaminada debe realizarse de acuerdo con las ordenanzas y leyes locales.

- Si queda algún líquido en el tanque después de pulverizar, vacíe el tanque antes de limpiarlo.
- Siempre use solo un paño suave y seco para limpiar el exterior del tanque; nunca use detergente o alcohol.
- Llene el tanque aproximadamente un tercio con agua limpia. Pulverice hasta que el tanque se haya vaciado. Asegúrese de dirigir la pulverización hacia un área que no se dañe con la solución de la pulverización.
- Rellene y repita el procedimiento con agua limpia. Puede ser necesario enjuagar el tanque más de una vez, luego vaciarlo nuevamente como se indicó anteriormente.

Deje que todas las piezas se sequen completamente antes de volver a ensamblar y almacenar la unidad.

MANTENIMIENTO DE LAS BOQUILLAS

⚠ ADVERTENCIA: Asegúrese de que todo el mantenimiento de las boquillas se realice correctamente para evitar fugas de agua. Las fugas pueden provocar una superficie resbaladiza, generando un riesgo de resbalones y caídas o causando daños materiales.

Los patrones irregulares de pulverización o fugas pueden ser el resultado de una boquilla obstruida o sucia.

1. Apague el pulverización y quite la batería.
2. **Para limpiar la boquilla ajustable (Fig. I1):**
 - a. Desensrosque y retire la parte estriada (texturizada) de la boquilla ajustable.
 - b. Empuje un alambre delgado (no incluido) a través de los agujeros cruzados para limpiar cualquier residuo. Si es necesario, enjuague los orificios transversales y la boquilla con agua limpia.

c. Limpie la boquilla con un paño limpio y seco y vuelva a instalar la boquilla.

3. Para limpiar la boquilla de abanico y la boquilla de espuma (Fig. I2):

- a. Desensrosque y quite la boquilla de la lanza de pulverización.
- b. Empuje un alambre delgado (no incluido) a través del agujero para limpiar cualquier residuo. Si es necesario, enjuague la boquilla con agua limpia.
- c. Limpie la boquilla con un paño limpio y seco y vuelva a instalar la boquilla.

ES

TRANSPORTE Y ALMACENAMIENTO (Fig. J)

- Quite la batería.
- Gire el selector de velocidad a la posición de apagado (el punto rojo en el selector apunta hacia la lanza de pulverización).
- Limpie el pulverizador a fondo.
- Vacíe el tanque, la manguera y la lanza de pulverización.

AVISO: Antes del almacenamiento, especialmente antes de la preparación para el invierno, asegúrese de vaciar el tanque, la manguera y la lanza de pulverización para evitar que la máquina se congele y se dañe, lo que provocará que no arranque después del invierno.

- Asegure la lanza de pulverización en la base y el clip de almacenamiento.

J-1	Clip de almacenamiento	J-3	Asa de transporte
J-2	Base		

- Levante el pulverizador por el asa de transporte o llévelo por el arnés de soporte cuando lo transporte.
- Guarde el pulverizador en un lugar interior bien ventilado.
- Manténgalo apartado de agentes corrosivos, como productos químicos de jardinería y sal para deshielo.

Protección del medio ambiente



¡No elimine aparatos eléctricos, baterías usadas ni cargadores de baterías junto con los desperdicios domésticos!

Lleve este producto a un punto de reciclaje autorizado y deposítelo por separado según corresponda. Las herramientas eléctricas se deben llevar a un punto de reciclaje con fin de proteger el medio ambiente.

SOLUCIÓN DE PROBLEMAS

ES

PROBLEMA	CAUSA	SOLUCIÓN
El pulverizador no arranca.	<ul style="list-style-type: none"> ■ El paquete de baterías no está completamente insertado en el compartimento de baterías. ■ No hay contacto eléctrico entre el pulverizador y la batería. ■ La carga de la batería está agotada. ■ El paquete de baterías o el pulverizador está demasiado caliente. 	<ul style="list-style-type: none"> ■ Compruebe si el paquete de baterías está completamente insertado en el compartimento de baterías. ■ Quite la batería, compruebe los contactos eléctricos y vuelva a instalarla. ■ Cargue la batería. ■ Apague el pulverizador y deje que la batería o el pulverizador se enfrien hasta que la temperatura baje al rango de temperatura de funcionamiento recomendado.
El motor funciona pero no sale pulverización de la boquilla.	<ul style="list-style-type: none"> ■ Bajo nivel de líquido en el tanque. ■ La boquilla se atascó durante la operación. 	<ul style="list-style-type: none"> ■ Compruebe y asegúrese de que haya suficiente líquido en el tanque. ■ Limpie la(s) boquilla(s) de acuerdo con el capítulo "MANTENIMIENTO DE LAS BOQUILLAS", y vuelva a montarlas según las instrucciones.
Se escapa líquido entre el mango de control y la lanza.	<ul style="list-style-type: none"> ■ El tapón del extremo de la lanza está suelto. 	<ul style="list-style-type: none"> ■ Apriete la tapa del extremo.
Se escapa líquido entre la lanza de pulverización y la boquilla.	<ul style="list-style-type: none"> ■ La boquilla está floja o mal instalada. 	<ul style="list-style-type: none"> ■ Vuelva a instalar la boquilla correctamente y de manera ajustada según el capítulo "AJUSTE Y CAMBIO DE LAS BOQUILLAS".

GARANTÍA

POLÍTICA DE GARANTÍA DE EGO

Visite la página web egopowerplus.eu para conocer los términos y condiciones completos de la política de garantía de EGO.

LEIA TODAS AS INSTRUÇÕES!



LEIA O MANUAL DO UTILIZADOR

⚠ AVISO: Para garantir a segurança e bom funcionamento, todas as reparações deverão ser efetuadas por um técnico de reparação qualificado.

⚠ AVISO: Certifique-se de que lê e compreende todos os avisos de segurança neste manual do utilizador, incluindo todos os símbolos de alerta de segurança, como “**PERIGO**”, “**AVISO**” e “**CUIDADO**” antes de usar esta ferramenta. Não seguir todas as instruções apresentadas abaixo pode resultar em choque elétrico, incêndio e/ou ferimentos graves.

GUARDE TODOS OS AVISOS E INSTRUÇÕES PARA FUTURAS REFERÊNCIAS.

PT

SÍMBOLOS DE SEGURANÇA

⚠ AVISO: O funcionamento de qualquer ferramenta elétrica pode dar origem ao resalto de quaisquer objetos estranhos que podem atingir os olhos, podendo dar origem a sérias lesões oculares. Antes de começar a utilizar a ferramenta elétrica, utilize sempre óculos de segurança com proteções laterais e uma proteção completa para a cara, quando necessário. Recomendamos máscaras de segurança com visão panorâmica por cima de óculos, ou óculos de segurança padrão com proteção lateral.



Alerta de segurança



Para reduzir o risco de ferimentos, o utilizador tem de ler e compreender o manual do utilizador antes de utilizar este produto.



Use roupa de proteção.



Mantenha as outras pessoas afastadas durante a pulverização.



Use proteção do rosto.



Este produto encontra-se em conformidade com as diretivas CE aplicáveis.



Nível de potência do som garantido. Emissão de ruído para o ambiente de acordo com a diretiva da Comunidade Europeia.



Este produto encontra-se em conformidade com a legislação no Reino Unido.



Os produtos elétricos residuais não deverão ser eliminados juntamente com o lixo doméstico comum. Entregue-os num centro de reciclagem autorizado.

IPX4

Proteção contra salpicos



Corrente direta

./min

Por minuto

V

Voltagem

n_0

Velocidade Sem Carga

mm

Milímetro

AVISOS GERAIS DE SEGURANÇA

⚠️ AVISO: Leia todos os avisos de segurança, instruções, ilustrações e especificações fornecidas com esta máquina. Não seguir todas as instruções apresentadas abaixo pode resultar em choque elétrico, incêndio e/ou ferimentos graves.

PT

Guarde todos os avisos e instruções para futuras referências.

O termo “máquina” nos avisos diz respeito à sua máquina alimentada pela rede (com fio) ou com bateria (sem fio).

SEGURANÇA NA ÁREA DE TRABALHO

- **Mantenha a área de trabalho limpa e bem iluminada.** Áreas desarrumadas ou escuras são propícias a acidentes.
- **Não utilize máquinas em atmosferas explosivas, tal como na presença de líquidos inflamáveis, gases ou pó.** As máquinas produzem faíscas que podem atear o pó ou fumos.
- **Mantenha as crianças e pessoas que passem afastadas enquanto utilizar uma máquina.** As distrações podem fazer com que perca o controlo.

SEGURANÇA ELÉTRICA

- **A ficha tem de corresponder à tomada. Nunca modifique uma ficha de forma alguma. Não utilize qualquer adaptador com máquinas com ligação à terra.** Fichas não modificadas e tomadas correspondentes reduzirão o risco de choque elétrico.
- **Evite o contacto do corpo com superfícies ligadas à terra, tais como tubos, radiadores, bases e frigoríficos.** Existe um risco acrescido de choque elétrico se o seu corpo estiver ligado à terra.
- **Não exponha a máquina à chuva ou humidade.** A entrada de água numa máquina aumentará o risco de choque elétrico.
- **Não force o fio da alimentação. Nunca utilize o fio para transportar, puxar ou desligar a máquina. Mantenha o fio afastado do calor, óleo, arestas afiadas ou peças móveis.** Fios danificados ou presos aumentam o risco de choque elétrico.
- **Quando estiver a trabalhar com uma máquina ao ar livre, utilize uma extensão adequada para a utilização no exterior.** A utilização de um fio adequado ao exterior reduz o risco de choque elétrico.
- **Se for inevitável trabalhar com uma máquina num local húmido, use um dispositivo de corrente residual.** A utilização de um DCR reduz o risco de choque elétrico.

SEGURANÇA PESSOAL

- **Mantenha-se alerta, observe o que está a fazer e use senso comum quando estiver a trabalhar com uma máquina. Não utilize a máquina enquanto estiver cansado ou sob o efeito de drogas, álcool ou medicação.** Um momento de falta de atenção enquanto utiliza a máquina pode dar origem a ferimentos sérios.
- **Use equipamento pessoal de proteção. Use sempre proteção ocular.** O equipamento de segurança, tal como máscara respiratória, calçado de segurança antiderrapante, capacete de segurança ou proteção auditiva, utilizado nas condições adequadas, reduzirá a hipótese de ferimentos.
- **Evite ligações sem intenção. Certifique-se de que o interruptor se encontra na posição de desligado antes de ligar à alimentação e/ou bateria e antes de pegar ou transportar a máquina.** Transportar a máquina com o seu dedo no interruptor ou fornecer energia à máquina que tenha o interruptor na posição de ligado convida a acidentes.
- **Retire qualquer chave de ajuste ou chave de fendas antes de ligar a máquina.** Uma chave de fendas ou uma chave deixada ligada a uma peça rotativa da máquina pode dar origem a ferimentos.
- **Não se estique. Mantenha sempre a base e o equilíbrio adequados.** Isso proporciona um melhor controlo da máquina em situações inesperadas.
- **Vista-se adequadamente. Não use roupa larga nem joias. Mantenha o seu cabelo e roupa afastados das peças móveis.** Roupas largas, joias ou cabelo comprido podem ser apanhados pelas peças em movimento.
- **Se forem fornecidos dispositivos para a ligação de extração de pó e facilidades de recolha, certifique-se de que estes estão ligados e de que são devidamente utilizados.** A utilização de dispositivos de extração do pó pode reduzir os perigos relacionados com o pó.
- **Não permita que a familiarização ganhe com a utilização de máquinas o torne mais complacente e ignore os princípios de segurança da máquina.** Uma ação descuidada pode causar graves ferimentos numa fração de segundo.

UTILIZAÇÃO E CUIDADOS COM A MÁQUINA

- **Não force a máquina. Utilize a máquina correta para a sua aplicação.** A máquina correta fará o trabalho melhor e de forma mais segura à taxa para a qual foi concebida.
- **Não utilize a máquina se o interruptor não der para**

ligar e desligar. Qualquer máquina que não possa ser controlada com o interruptor é perigosa e deve ser reparada.

- **Desligue a ficha da alimentação e/ou retire a bateria da máquina, se amovível, antes de fazer quaisquer ajustes, mudar de acessórios ou armazenar a máquina.** Tais medidas preventivas de segurança reduzem o risco de ligar a máquina acidentalmente.
- **Guarde a máquina desligada fora do alcance de crianças e não permita que pessoas estranhas à máquina ou a estas instruções trabalhem com a máquina.** As máquinas são perigosas nas mãos de utilizadores sem formação.
- **Proceda à manutenção das máquinas e respetivos acessórios. Verifique se existem desalinhamentos ou colagem das peças móveis, quebra de peças e qualquer outra condição que possa afetar o funcionamento da máquina. Se estiver danificada, leve a máquina para ser reparada antes da utilização.** Muitos acidentes são causados por máquinas mantidas de forma deficiente.
- **Mantenha as ferramentas de corte afiadas e limpas.** Ferramentas de corte devidamente mantidas e com arestas de corte afiadas têm uma menor probabilidade de prender e são mais fáceis de controlar.
- **Use a máquina, acessórios e brocas, etc., de acordo com estas instruções, tendo em conta as condições de trabalho e o trabalho a ser efetuado.** A utilização da máquina para operações diferentes das pretendidas pode resultar numa situação perigosa.
- **Mantenha as pegas e superfícies de prensão secas, limpas e sem óleo ou gordura.** Pegas e superfícies de prensão escorregadias não permitem o manuseamento seguro nem o controlo da máquina em situações inesperadas.

UTILIZAÇÃO E CUIDADOS DA MÁQUINA A BATERIA

- **Recarregue apenas com o carregador especificado pelo fabricante.** Um carregador que seja adequado a um tipo de bateria pode criar um risco de incêndio quando usado com outra bateria.
- **Utilize máquinas apenas com as baterias especificamente designadas.** A utilização de outras baterias pode criar um risco de ferimentos e incêndio.
- **Quando não usar a bateria, mantenha-a afastada de outros objetos de metal, como cliques de papel, moedas, chaves, pregos, parafusos ou outros pequenos objetos de metal que possam fazer a ligação entre os dois terminais.** Colocar os terminais da bateria em curto-circuito pode dar origem a queimaduras ou fogo.

- **Sob condições abusivas, pode ser ejetado líquido da bateria; evite o contacto. Se ocorrer um contacto accidental, lave com água abundante. Se o líquido entrar em contacto com os olhos, procure ajuda médica.** O líquido ejetado da bateria pode provocar irritação ou queimaduras.
- **Não use a bateria nem a máquina se estiverem danificadas ou modificadas.** Baterias danificadas ou modificadas podem apresentar comportamentos imprevisíveis, dando origem a fogo, explosão ou risco de ferimentos.
- **Não exponha a bateria ou a máquina ao fogo ou temperatura excessiva.** A exposição ao fogo ou a temperaturas acima dos 130 °C pode causar uma explosão.
- **Siga todas as instruções de carregamento e não carregue a bateria nem a máquina a uma temperatura fora dos parâmetros especificados nas instruções.** Carregar incorretamente ou a temperaturas fora dos parâmetros especificados pode danificar a bateria e aumentar o risco de fogo.

REPARAÇÃO

- **A reparação da sua máquina deverá ser sempre efetuada por pessoas qualificadas, utilizando apenas peças sobresselentes idênticas.** Tal irá assegurar que a segurança da máquina é mantida.
- **Nunca tente reparar uma bateria danificada.** A reparação das baterias só deverá ser efetuada pelo fabricante ou por um reparador autorizado.

INSTRUÇÕES DE SEGURANÇA DO PULVERIZADOR SEM FIOS

⚠ PERIGO: Risco de fogo ou explosão. Não pulverize líquidos inflamáveis, como gasolina.

⚠ AVISO:

- **Para evitar ferimentos, use sempre proteção ocular, respiratória e cutânea.**
- **Para reduzir o risco de choque elétrico, não exponha à chuva.**
- **Apenas para uso doméstico no exterior.**
- **Não pulverize líquidos inflamáveis ou combustíveis numa área confinada.** Quando um líquido combustível for pulverizado, existe um perigo de fogo ou explosão, especialmente numa área confinada.

- A área de pulverização tem de estar bem ventilada.
- Não fume enquanto pulveriza, nem pulverize em locais com faíscas ou chamas.
- Antes de encher o depósito, retire sempre a bateria. Limpe quaisquer salpicos antes de inserir a bateria. Seguir esta regra reduzirá o risco de choque elétrico e da possibilidade de entrarem líquidos corrosivos na bateria, o que pode causar falha na bateria, incluindo curto-circuito, dando origem a fumo, fogo e/ou ferimentos sérios.
- Não permita que líquidos condutores ou corrosivos entrem na bateria. Se líquidos condutores ou corrosivos forem derramados na bateria, consulte as instruções no manual do utilizador da bateria.
- Antes de usar materiais de pulverização com este pulverizador, leia com atenção a etiqueta no recipiente original do material e siga as suas orientações. Alguns materiais de pulverização são perigosos e não deverão ser usados com este pulverizador, pois podem danificar o pulverizador e causar ferimentos sérios ou danos patrimoniais.
- Conheça o conteúdo do químico a ser pulverizado. Leia todas as folhas de dados de segurança (FDS) e etiquetas no recipiente fornecidas com o químico. Siga as instruções de segurança do fabricante do químico.
- Perigo de choque elétrico. Nunca pulverize na direção de tomadas elétricas.
- Não deite líquidos quentes ou a ferver dentro do depósito. Estes podem enfraquecer ou danificar os tubos ou o depósito.
- Evite pulverizar em dias ventosos. O material pulverizado pode ir contra plantas ou objetos que não deverão ser pulverizados.
- Guarde o pulverizador num local no interior seguro e bem ventilado, com o depósito vazio.
- Não pulverize lixívia ou peróxido de hidrogénio.
- Não pulverize químicos à base de álcool.
- Não pulverize pós ou químicos abrasivos.
- Não pulverize líquidos cáusticos (alcalinos) ou de aquecimento automático.
- Não use químicos nocivos para o ambiente e que não sejam permitidos, conforme definido pelos regulamentos locais.
- Não aponte o bocal pulverizador contra pessoas ou animais.
- Nunca permita que crianças, pessoas com capacidades físicas, sensoriais ou mentais reduzidas ou falta de experiência ou de conhecimentos, ou pessoas que não estejam familiarizadas com estas instruções usem a máquina.
- O operador ou utilizador é o responsável por acidentes ou riscos provocados a outras pessoas ou à sua propriedade.
- O pulverizador só deverá ser usado com produtos de proteção de plantas aprovados pelas autoridades locais/nacionais para produtos de proteção de plantas criados para serem usados com pulverizadores de mochila.
- Risco de injeção. Não descarregue diretamente contra a pele. Mantenha todas as partes do seu corpo afastadas do padrão de pulverização.
- Não deixe resíduos ou material a ser pulverizado dentro do depósito após a utilização do pulverizador. Limpeza após cada utilização.
- Para reduzir o risco de fogo ou explosão, use um líquido com um ponto de inflamação superior a 60 °C.
- Para reduzir o risco de choque elétrico, não coloque o pulverizador dentro de água ou de outros líquidos. Não coloque nem armazene o pulverizador onde possa cair ou possa ser puxado para dentro de uma banheira ou lavatório.
- Proceda à manutenção deste produto. Inspeccione cuidadosamente o interior e exterior do pulverizador, e examine os componentes antes de cada utilização. Verifique se o depósito está rachado ou deteriorado, se tem fugas, bocais obstruídos ou peças em falta ou danificadas. Se estiver danificado, leve o produto para ser reparado antes da utilização. Muitos acidentes são provocados pela fraca manutenção dos produtos.
- Coloque o interruptor da alimentação na posição de desligado quando não usar o pulverizador e antes de proceder à afinação ou limpeza.
- Desligue a bateria da unidade antes de proceder à drenagem, limpeza ou armazenamento do pulverizador. Tais medidas preventivas de segurança reduzem o risco de uma ligação accidental.
- Use sempre proteções oculares com escudos laterais ou óculos de proteção. Se não o fizer, pode apanhar com líquidos nos olhos, dando origem a possíveis ferimentos sérios.
- Proteja os pulmões. Use equipamento de segurança aprovado, como máscara para o rosto criada especialmente para filtrar sprays, luvas e outro equipamento de proteção adequado. Ao seguir esta regra, irá reduzir o risco de ferimentos

graves. Siga as instruções de segurança do fabricante do químico e as orientações listadas na folha de dados de segurança.

- **Químicos e fumos químicos podem ser nocivos e causar lesões sérias, danos permanentes ou morte, se ingeridos, inalados ou salpicados para os olhos ou pele.** Siga as instruções de segurança do fabricante do químico e as orientações listadas na folha de dados de segurança.
- **Para reduzir o risco de ferimentos, é necessária uma forte supervisão quando o pulverizador for usado perto de uma criança.**
- **Não entre em contacto com as peças móveis.**
- **Utilize apenas acessórios recomendados ou vendidos pelo fabricante.**
- **Evite ligações sem intenção. Certifique-se de que o interruptor se encontra na posição de desligado antes de ligar à bateria, segurar ou transportar o aparelho.** Transportar o aparelho com o seu dedo no interruptor ou fornecer energia ao aparelho que tenha o interruptor na posição de ligado convida a acidentes.

GUARDE ESTAS INSTRUÇÕES

CARACTERÍSTICAS TÉCNICAS

Voltagem nominal	56 V
Máx. Capacidade do depósito	15 L
Máx. Pressão de funcionamento	24 bar
Máx. Taxa do fluxo de pulverização (com bocal ajustável, modo de pulverização)	2,3 L/min
Diâmetro do filtro de entrada	35 mm
Tamanho da rede do filtro de entrada	0,35 mm
Diâmetro do filtro de saída	124 mm
Peso (seco, sem a bateria)	7,6 kg
Temperatura de funcionamento recomendada	5 °C - 40 °C
Temperatura de armazenamento recomendada	-20 °C - 70 °C
Temperatura de carregamento recomendada	5 °C - 40 °C

PT

⚠ AVISO: Antes de usar o pulverizador de mochila, certifique-se de que o seu peso total, incluindo a máquina, líquido no depósito, bocal e bateria usada não excede os 25 kg, para evitar ferimentos e a perda de equilíbrio.

- O valor total declarado da vibração foi medido de acordo com um método de teste padrão e pode ser usado para comparar duas ferramentas.
- O valor total declarado da vibração também pode ser usado numa avaliação preliminar da exposição.

⚠ AVISO: A emissão de vibrações durante a utilização da ferramenta elétrica pode diferir do valor declarado em que a ferramenta é usada. De modo a proteger o utilizador, este deverá usar luvas e proteção auditiva nas condições atuais de utilização.

LISTA DE PEÇAS (IMAGEM A1)

DESCRIÇÃO

PT

CONHEÇA O SEU PULVERIZADOR (IMAGEM A1)

1. Mangueira
2. Compartimento da bateria
3. Depósito
4. Tampa do depósito
5. Pega de transporte
6. Arnês de suporte ajustável
7. Disco da velocidade
8. Alavanca de bloqueio
9. Gatilho de ligar/desligar
10. Pega de controlo
11. Tampão da extremidade
12. Haste de pulverização
13. Bocal ajustável
14. Bocal de ventoinha
15. Bocal de espuma
16. Bocal de chuveiro

MONTAGEM

⚠ AVISO: Se houver peças danificadas ou em falta, não utilize o produto até ter substituído essas peças. Utilizar este produto com peças danificadas ou em falta pode dar origem a ferimentos sérios.

⚠ AVISO: Não tente modificar este produto nem criar acessórios que não sejam recomendados para utilizar com o produto. Qualquer alteração ou modificação é considerada uma má utilização e pode dar origem a perigos, que podem levar a ferimentos sérios.

⚠ AVISO: Para evitar a ligação acidental que pode provocar ferimentos sérios, retire sempre a bateria da máquina quando montar as peças, fizer ajustes, proceder à limpeza ou quando não utilizar o produto.

- Este produto tem de ser montado.
- Retire cuidadosamente o produto e quaisquer acessórios da caixa. Certifique-se de que todos os artigos apresentados na “Lista do conteúdo” se encontram incluídos.
- Inspeccione cuidadosamente o produto para se certificar de que não ocorreram quebras ou danos

durante o transporte.

- Não elimine o material de empacotamento até ter inspecionado cuidadosamente e ter utilizado de modo satisfatório o produto.
- Se alguma peça estiver danificada ou em falta, devolva o aparelho no local onde o comprou.

LIGAR A HASTE DE PULVERIZAÇÃO À PEGA DE CONTROLO

1. Enrosque o tampão da extremidade da haste de pulverização na pega de controlo e aperte bem no sentido dos ponteiros do relógio (Imagem B).
2. Puxe a haste de pulverização para se certificar de que está bem fixada.

FUNCIONAMENTO

⚠ AVISO: Não permita que a familiarização com este produto o torne descuidado. Lembre-se de que uma fração de segundo de desatenção é o suficiente para sofrer um ferimento sério.

⚠ AVISO: Utilize equipamento de segurança. Proteja os olhos, pele e pulmões enquanto mistura, enche, pulveriza e limpa. Se não o fizer, pode dar origem a ferimentos sérios ou danos patrimoniais.

⚠ AVISO: Para evitar ferimentos sérios, retire a bateria do aparelho antes da reparação, limpeza, mudança de acessórios, enchimento ou esvaziamento do depósito.

⚠ AVISO: Não utilize quaisquer acessórios para além dos recomendados pelo fabricante deste produto. A utilização de acessórios que não sejam recomendados pode dar origem a ferimentos sérios.

Antes de cada utilização, inspeccione todo o produto quanto a peças danificadas, em falta ou soltas, como parafusos, porcas, tampas, etc. Aperte bem todos os fixadores e tampas e não utilize este produto até que todas as peças em falta ou danificadas sejam substituídas.

UTILIZAÇÃO PREVISTA

Pode utilizar este produto com os intuitos listados abaixo:

- Aplicar fertilizantes e regar as plantas.
- Pulverizar herbicidas, pesticidas e fungicidas.

⚠ AVISO: O produto foi criado apenas para uma utilização na horticultura e agricultura.

⚠ AVISO: O produto tem de ser usado apenas

conforme descrito. Qualquer outra utilização será considerada má utilização.

⚠ AVISO: Uma aplicação incorreta de químicos ou soluções pode dar origem a FERIMENTOS SEVEROS ou MORTE. Siga as instruções de segurança do fabricante do químico e as orientações listadas na folha de dados de segurança.

ENCHER O DEPÓSITO (Imagem C)

⚠ AVISO: Siga sempre as instruções do fabricante do químico impressas no rótulo do produto para proceder à utilização, limpeza e armazenamento. Não misture químicos. Lave bem o depósito após cada utilização, seguindo as instruções na secção “**MANUTENÇÃO**” neste manual. Os químicos deverão ser guardados fora do alcance das crianças. Não seguir estas instruções pode dar origem a ferimentos sérios.

⚠ AVISO: Para evitar ferimentos e perda de equilíbrio, certifique-se de que o peso do líquido adicionado no depósito, pulverizador, incluindo a máquina, líquido no depósito, bocal e bateria usada não ultrapassa os 25 kg.

Os químicos líquidos a serem pulverizados têm de estar tão diluídos como água. Líquidos mais espessos não serão pulverizados corretamente. Não encha o depósito em excesso.

1. Retire a bateria.
2. Desenrosque a tampa do depósito no sentido inverso ao dos ponteiros do relógio e retire-a do depósito.
3. Coloque o pulverizador numa superfície nivelada.
4. Encha o reservatório com a quantidade desejada de água.
5. Meça a quantidade recomendada de químico líquido.
6. Verta cuidadosamente o químico líquido para o depósito.
7. Volte a enroscar a tampa do depósito no pulverizador, certificando-se de que fica bem apertada.

As soluções de pulverização podem ser misturadas previamente e vertidas para o pulverizador.

AVISO: Se usar um recipiente de mistura para manter o líquido, certifique-se de que o limpa bem e o passa por água após a utilização. Se misturar previamente a solução de pulverização, passe bem por água o recipiente usado para a mistura.

AVISO: É importante limpar bem o pulverizador após cada utilização. Permitir que o líquido permaneça imóvel no pulverizador durante um longo período de tempo pode

bloquear as peças móveis e os conectores.

FIXAR/RETIRAR A BATERIA

Utilize apenas com as baterias e carregadores da EGO listados na Imagem A2.

Consulte os manuais da bateria e do carregador para obter mais detalhes.

Carregue por completo antes da primeira utilização.

1. Levante a frente da tampa do compartimento da bateria (Imagem D1).
2. **Para fixar**, alinhe as abas da bateria com as ranhuras de fixação e empurre a bateria para baixo até ouvir um “clique” (Imagem D1).
3. **Para libertar**, prima o botão de libertação da bateria e puxe a bateria para fora (Imagem D2).
4. Feche a tampa do compartimento da bateria.

⚠ AVISO: Certifique-se sempre da localização dos seus pés, de crianças ou animais quando pressionar o botão de libertação da bateria. Se a bateria cair, podem ocorrer ferimentos sérios. NUNCA retire a bateria num local elevado.

⚠ AVISO: Certifique-se de que o trinco no pulverizador encaixa no respetivo lugar, que a bateria está bem fixada no pulverizador e que a tampa do compartimento da bateria está completamente fechada antes de iniciar a operação. Não fixar corretamente a bateria pode fazer com que ela caia, podendo dar origem a ferimentos sérios.

⚠ AVISO: Para evitar ferimentos sérios, retire sempre a bateria e mantenha as mãos afastadas da pega de controlo quando levantar ou transportar o pulverizador.

POSICIONAR O PULVERIZADOR DE MOCHILA

⚠ AVISO: Vista-se adequadamente para reduzir o risco de ferimentos quando utilizar este aparelho. Não use roupa larga nem joalheria. Use proteção ocular. Utilize calças compridas e resistentes, botas e luvas. Não utilize roupa curta, sandálias nem ande descalço.

Antes de usar o pulverizador de mochila, certifique-se de que o operador está a usar proteção ocular e roupa adequada, e que mantém uma base e equilíbrio adequados.

Ajustar o arnês de suporte

1. Coloque os seus braços através das alças para suportar o pulverizador nas suas costas.
2. Ajuste temporariamente ambas as alças para os

ombros para posições confortáveis (Imagem E1), certificando-se de que se sente confortável nos ombros.

3. Fixe a fivela para o peito e ajuste o comprimento da alça para o peito, se necessário (Imagem E2).
4. Fixe a fivela para a cintura e ajuste o comprimento da alça para a cintura, de modo a que o soprador fique bem suportado pelas suas ancas (Imagem E3 e E4).

NOTA: A mochila não deve ficar muito elevada nas suas costas. Ela deve ser posicionada mais perto das suas ancas do que dos seus ombros.

⚠ AVISO: Quando ocorrer uma emergência, liberte imediatamente as fivelas para o peito e para a cintura para retirar a alça da mochila de cada lado. Este é um método de libertação rápida.

5. Reajuste as alças para os ombros, para segurança e conforto. Certifique-se de que a mochila assenta em segurança nas suas costas, com o peso suportado pela alça para a cintura, e sem movimentos em excesso quando se mover (Imagem E5).
6. Insira qualquer comprimento extra da alça à volta da cintura no elástico em ambos os lados (Imagem E6).
7. Para retirar a mochila das suas costas, basta premir as fivelas para o peito e cintura para as libertar e baixar o pulverizador (Imagem E7).

LIGAR/DESLIGAR O PULVERIZADOR (IMAGEM F)

Disco da velocidade

1. Para aumentar a taxa do fluxo, rode o disco da velocidade no sentido dos ponteiros do relógio.

F-1	Disco da velocidade	F-3	Gatilho de ligar/desligar
F-2	Alavanca de bloqueio		

2. Para diminuir a taxa do fluxo, rode o disco da velocidade no sentido inverso ao dos ponteiros do relógio.
3. O pulverizador pára se continuar a rodar o disco para a posição "OFF".

⚠ AVISO: Para evitar uma ligação sem intenção, rode o disco da velocidade para a posição de desligado (o ponto vermelho no disco aponta para a haste de pulverização).

⚠ AVISO: Antes de guardar a máquina, de a deixar durante um longo período de tempo sem ser utilizada

ou quando substituir a bateria, rode sempre o disco da velocidade para a posição de desligado (o ponto vermelho no disco aponta para a haste de pulverização).

Gatilho de ligar/desligar

1. Pressione o gatilho de ligar/desligar para ligar o pulverizador.
2. Liberte o gatilho para parar o fluxo.

Alavanca de bloqueio

A alavanca de bloqueio é útil quando pulverizar durante um longo período de tempo ou quando cobrir uma vasta área.

1. Para bloquear o gatilho de ligar/desligar, pressione a alavanca de bloqueio após pressionar o gatilho.
2. Para libertar o gatilho de ligar/desligar, puxe a alavanca de bloqueio.

AVISO: Certifique-se de que o gatilho não está bloqueado antes de inserir a bateria no pulverizador.

AJUSTAR E SUBSTITUIR OS BOCAIS

⚠ AVISO: Para evitar ferimentos sérios, retire a bateria antes de ajustar ou de substituir bocais.

O pulverizador é fornecido com quatro bocais: Bocal ajustável, bocal de ventoinha, bocal de chuva e bocal de espuma. Substitua o bocal antes de iniciar o trabalho, para se adequar à tarefa a ser efetuada.

Bocal ajustável (Imagem G1): Pulverização focada em camas de flores, passeios, serventias, pátios e em redor de árvores e arbustos. Pulverização ao longo de vedações, serventias e passeios. Eliminação de cotos.

Bocal de ventoinha (Imagem G3): Pulverização plana para uma área vasta e líquidos com maior viscosidade. Preparação de vastas áreas para plantar.

G-1	Bocal de ventoinha	G-3	Bocal de espuma
G-2	Bocal de chuva		

Bocal de chuva (Imagem G3): Liberta um maior fluxo de água para regar e tratar plantas.

Bocal da espuma (Imagem G3): Marca visivelmente as ervas tratadas. Pulverização focada de ervas em relvados, em redor de camas de flores, árvores e arbustos. Pulverização ao longo de vedações, serventias e passeios.

O bocal ajustável pode ser ajustado entre jato e pulverização (Imagem G1).

1. Rode a parte serrilhada (texturada) do bocal no sentido inverso ao dos ponteiros do relógio para o jato.

- Rode a parte serrilhada (texturada) do bocal no sentido dos ponteiros do relógio para pulverização.

Desenrosque todo o bocal no sentido inverso ao dos ponteiros do relógio para retirar e substituir o bocal (Imagem G2).

Taxa de fluxo dos diferentes bocais fornecidos com o pulverizador:

	Taxa de fluxo nominal (L/min)	Pressão máxima de funcionamento (L/min)	Pressão ótima de funcionamento (L/min)
Bocal ajustável	2,3	2,7	2,4
Bocal de ventoinha	2,3	2,7	2,4
Bocal de chuvaeiro	2,3	2,9	2,7
Bocal de espuma	2,3	2,7	2,4

PULVERIZAR QUÍMICOS PARA CASA E JARDIM (Imagem H)

AVISO: Nunca aponte o bocal da haste contra si ou outras pessoas.

AVISO: Nunca fume, coma nem beba enquanto usa o pulverizador.

AVISO: Nunca pulverize na direção de pessoas ou animais. Pulverize sempre para baixo.

AVISO: Risco de fogo ou explosão. A área de pulverização tem de estar bem ventilada e afastada de faíscas ou de chamas.

- Instale a bateria.
- Rode o disco da velocidade para escolher a taxa de fluxo desejada.
- Aponte o bocal pulverizador diretamente para as plantas ou objetos que deseja pulverizar.

NOTA: Certifique-se de que permanece suficientemente afastado dos objetos a serem pulverizados, para evitar que o spray o salpique a si.

- Pressione o gatilho para ligar o pulverizador.
- Liberte o gatilho para parar o pulverizador.

- Drene sempre e lave o depósito após cada utilização, conforme indicado na secção “**MANUTENÇÃO**”.

DICAS DE FUNCIONAMENTO

- Ajuste as alças para os ombros do arnês, de modo a que o pulverizador assente acima da sua cintura, e que o depósito fique encostado às suas costas.
- Evite pulverizar em dias ventosos. O material pulverizado pode ir contra plantas ou objetos que não deverão ser pulverizados.
- Pulverize bem cedo de manhã ou no final da tarde, especialmente com o tempo mais quente. O calor em excesso pode evaporar o spray antes que este assente.

PT

MANUTENÇÃO

AVISO: Quando fizer reparações, utilize apenas peças sobresselentes idênticas. A utilização de outras peças pode constituir um perigo ou provocar danos no produto. Para garantir a segurança e bom funcionamento, todas as reparações deverão ser efetuadas por um técnico de reparação qualificado.

AVISO: Para evitar ferimentos sérios, retire a bateria do pulverizador antes de proceder à afinação, limpeza, substituição de bocais, manutenção ou quando o pulverizador não for usado. Um pulverizador que funcione a bateria e que tenha a bateria inserida está sempre ligado e pode começar a funcionar acidentalmente.

MANUTENÇÃO GERAL

Todas as afinações no pulverizador, para além dos artigos listados nestas instruções de manutenção, deverão ser efetuadas por pessoal qualificado.

LIMPEZA

Evite utilizar solventes quando limpar peças de plástico. Grande parte dos plásticos é suscetível a danos devido a vários tipos de solventes comerciais. Utilize panos limpos para retirar a sujidade, pó, óleo, gordura, etc.

AVISO: Nunca permita que o líquido dos travões, gasolina, produtos à base de petróleo, óleos penetrantes, etc., entrem em contacto com as peças de plástico. Os químicos podem danificar, enfraquecer ou destruir o plástico, o que pode dar origem a ferimentos sérios.

AVISO: Quando limpar o pulverizador, NÃO o coloque dentro de água ou de outros líquidos.

AVISO: Guarde sempre e elimine os químicos corretamente. A eliminação de águas residuais contaminadas deverá ser efetuada de acordo com os

regulamentos e leis locais.

- Se houver líquidos no depósito após a pulverização, drene o depósito antes de proceder à limpeza.
- Use sempre e apenas um pano suave e seco para limpar o exterior do depósito. Nunca use detergente nem álcool.
- Encha o depósito com cerca de um terço de água limpa. Pulverize até que o depósito fique vazio. Certifique-se de que orienta o spray para a área que não ficará danificada com a solução de pulverização.
- Volte a encher e repita o procedimento com água limpa. Pode ser necessário lavar o depósito mais do que uma vez e drenar novamente, conforme indicado anteriormente.
- Permita que todas as peças sequem por completo antes de voltar a montar e a guardar a unidade.

MANUTENÇÃO DO BOCAL

⚠ AVISO: Certifique-se de que a manutenção de todos os bocais é feita corretamente, para evitar fugas de água. As fugas podem dar origem a uma superfície escorregadia, causando um perigo de queda ou possíveis danos patrimoniais.

Padrões irregulares do spray ou fugas podem ser o resultado de um bocal obstruído ou sujo.

1. Desligue o pulverizador e retire a bateria.
2. **Limpar o bocal ajustável (Imagem I1):**
 - a. Desenrosque e retire a parte serrilhada (texturada) do bocal ajustável.
 - b. Pressione um arame fino (não incluído) através dos orifícios cruzados, para eliminar quaisquer detritos. Se necessário, passe os orifícios cruzados e o bocal com água limpa.
 - c. Limpe o bocal com um pano limpo e seco e volte a instalar o bocal.
3. **Limpar o bocal de ventoinha e de espuma (Imagem I2):**
 - a. Desenrosque e retire o bocal da haste de pulverização.
 - b. Pressione um arame fino (não incluído) através do orifício, para eliminar quaisquer detritos. Se necessário, passe o com água limpa.
 - c. Limpe o bocal com um pano limpo e seco e volte a instalar o bocal.

TRANSPORTE E ARMAZENAMENTO (Imagem J)

- Retire a bateria.

- Rode o disco da velocidade para a posição de desligado (o ponto vermelho no disco aponta para a haste de pulverização).
- Limpe bem o pulverizador.
- Esvazie o depósito, mangueira e haste de pulverização.

⚠ AVISO: Antes de guardar, especialmente antes do inverno, certifique-se de que esvazia o depósito, mangueira e haste de pulverização, para evitar que a máquina congele e fique danificada, o que faria com que não ligasse após o inverno.

- Fixe a haste de pulverização na base e no clipe de arrumação.

J-1	Clipe de arrumação	J-3	Pega de transporte
J-2	Base		

- Levante o pulverizador pela pega de transporte ou transporte-o usando o arnês de suporte.
- Guarde o pulverizador no interior, num local bem ventilado.
- Mantenha afastado de agentes corrosivos, como químicos de jardinagem e sais de degelo.

Proteja o ambiente



Não elimine equipamento elétrico, bateria gasta nem carregador juntamente com o lixo doméstico comum!

Leve este produto a um centro de reciclagem autorizado para que possa haver uma separação das peças. As ferramentas elétricas têm de ser devolvidas em instalações de reciclagem ambientalmente compatíveis.

RESOLUÇÃO DE PROBLEMAS

PROBLEMA	CAUSA	SOLUÇÃO
O pulverizador não liga.	<ul style="list-style-type: none"> ■ A bateria não foi inserida por completo no compartimento da bateria. ■ Não existe contacto elétrico entre o pulverizador e a bateria. ■ A bateria está gasta. ■ A bateria ou o pulverizador estão muito quentes. 	<ul style="list-style-type: none"> ■ Verifique se a bateria está completamente inserida no compartimento da bateria. ■ Retire a bateria, verifique os contactos e volte a instalar a bateria. ■ Carregue a bateria. ■ Desligue o pulverizador e deixe a bateria ou o pulverizador arrefecer até que a temperatura desça para uma temperatura de funcionamento recomendada.
O motor funciona, mas não sai spray do bocal.	<ul style="list-style-type: none"> ■ Baixo nível do líquido no depósito. ■ O bocal ficou obstruído durante o funcionamento. 	<ul style="list-style-type: none"> ■ Verifique e certifique-se sempre de que há líquido suficiente no depósito. ■ Limpe os bocais de acordo com o capítulo “MANUTENÇÃO DO BOCAL” e volte a montar conforme indicado.
É derramado líquido entre a pega de controlo e a haste.	<ul style="list-style-type: none"> ■ A tampa da extremidade da haste está solta. 	<ul style="list-style-type: none"> ■ Aperte a tampa da extremidade.
É derramado líquido entre a haste de pulverização e o bocal.	<ul style="list-style-type: none"> ■ O bocal está solto ou foi instalado incorretamente. 	<ul style="list-style-type: none"> ■ Volte a instalar e a apertar corretamente o bocal, de acordo com o capítulo “AJUSTAR E SUBSTITUIR OS BOCAIS”.

PT

GARANTIA

POLÍTICA DE GARANTIA EGO

Visite o website egopowerplus.eu para os termos e condições completos da política de garantia da EGO.

LEGGERE TUTTE LE ISTRUZIONI!



LEGGERE IL MANUALE DI ISTRUZIONI

IT **AVVERTENZA!** Per garantire sicurezza e affidabilità, tutte le operazioni di riparazione e sostituzione devono essere effettuate da un tecnico qualificato.

AVVERTENZA! Accertarsi di aver letto e compreso tutte le istruzioni di sicurezza in questo manuale, inclusi tutti i simboli di avvertenza come "PERICOLO", "AVVERTENZA" e "ATTENZIONE", prima di usare l'apparecchio. Il mancato rispetto di tutte le istruzioni elencate di seguito comporta il rischio di scossa elettrica, incendio e/o lesioni gravi.

CONSERVARE TUTTE LE AVVERTENZE E LE ISTRUZIONI PER FUTURO RIFERIMENTO.

SIMBOLI DI SICUREZZA

AVVERTENZA! L'uso di utensili elettrici può causare il lancio di oggetti estranei verso l'operatore, con il rischio di lesioni gravi agli occhi. Durante l'uso dell'utensile elettrico, indossare sempre occhiali protettivi o occhiali di sicurezza con protezioni laterali e, se necessario, una maschera facciale. Si raccomanda di indossare una maschera di sicurezza con ampio campo visivo sopra gli occhiali o occhiali di sicurezza standard con protezioni laterali.



Avvertenza di sicurezza



Per ridurre il rischio di infortuni, l'operatore deve leggere e comprendere tutte le istruzioni prima di usare questo prodotto.



Indossare indumenti protettivi.



Tenere a distanza le altre persone durante l'uso.



Indossare uno schermo facciale.



Questo prodotto è conforme alle direttive europee applicabili.



Livello di potenza sonora garantito. Emissione acustica ambientale ai sensi della direttiva dell'Unione europea.



Questo prodotto è conforme alle direttive britanniche applicabili.



Gli apparecchi elettrici non devono essere smaltiti insieme ai rifiuti domestici. Portarli presso un centro di riciclaggio autorizzato.



Protezione dagli schizzi d'acqua



Corrente continua



Al minuto



Tensione



Velocità a vuoto

mm Millimetro

AVVERTENZE DI SICUREZZA GENERICHE

⚠ AVVERTENZA! Consultare tutte le avvertenze di sicurezza, le istruzioni, le illustrazioni e le specifiche fornite insieme a questo apparecchio. Il mancato rispetto delle istruzioni sotto riportate comporta il rischio di scossa elettrica, incendio e/o gravi infortuni.

Conservare tutte le avvertenze e le istruzioni per futuro riferimento.

Il termine "apparecchio" utilizzato nelle avvertenze indica un apparecchio alimentato tramite presa di corrente (con cavo) o batteria (senza cavo).

SICUREZZA DELL'AREA DI LAVORO

- **Mantenere l'area di lavoro pulita e ben illuminata.** Il disordine e la scarsa illuminazione favoriscono gli incidenti.
- **Non usare l'apparecchio in atmosfere esplosive, ad esempio in presenza di liquidi, gas o polveri infiammabili.** Gli apparecchi elettrici creano scintille che possono incendiare polveri o fumi.
- **Durante l'uso di un apparecchio elettrico, tenere a distanza i bambini e le persone presenti.** Le distrazioni possono causare la perdita di controllo.

SICUREZZA ELETTRICA

- **Le spine degli apparecchi elettrici devono essere adatte al tipo di presa. Non modificare la spina in alcun modo. Non usare adattatori con gli apparecchi elettrici dotati di messa a terra (collegati a massa).** L'uso di spine originali corrispondenti al tipo di presa riduce il rischio di scossa elettrica.
- **Evitare il contatto del corpo con superfici collegate a terra come tubi, radiatori, fornelli elettrici e frigoriferi.** Il rischio di scossa elettrica aumenta se il proprio corpo è collegato a terra.
- **Non esporre gli apparecchi elettrici a pioggia o umidità.** L'infiltrazione di acqua all'interno di un apparecchio elettrico aumenta il rischio di scossa elettrica.
- **Non utilizzare il cavo in modo improprio. Non utilizzare il cavo per trasportare, spostare o scollegare l'apparecchio elettrico. Tenere il cavo al riparo da calore, olio, bordi taglienti o parti in movimento.** La presenza di cavi danneggiati o aggrovigliati aumenta il rischio di scossa elettrica.
- **Durante l'uso di un apparecchio elettrico all'aperto, utilizzare una prolunga idonea per ambienti esterni.** L'uso di un cavo idoneo riduce il rischio di

scossa elettrica.

- **Se è necessario lavorare in un luogo umido, utilizzare un circuito elettrico dotato di interruttore differenziale (RCD).** L'uso di un interruttore differenziale riduce il rischio di scossa elettrica.

SICUREZZA PERSONALE

- **Durante l'uso di un apparecchio elettrico, prestare sempre la massima attenzione e utilizzare il buon senso. Non usare gli apparecchi elettrici se si è stanchi o sotto l'effetto di droghe, alcol o farmaci.** Anche un solo momento di disattenzione durante l'uso di un apparecchio elettrico comporta il rischio di lesioni gravi.
- **Indossare dispositivi di protezione individuale. Indossare protezioni per gli occhi.** I dispositivi di protezione individuale come maschere antipolvere, calzature antiscivolo, caschi e cuffie per le orecchie, se utilizzati quando le circostanze lo richiedono, riducono il rischio di infortuni.
- **Prevenire l'avvio accidentale. Assicurarsi che l'interruttore sia in posizione di spegnimento prima di sollevare, trasportare o collegare l'apparecchio elettrico alla presa di corrente e/o alla batteria.** Per ridurre il rischio di incidenti, non trasportare gli apparecchi elettrici tenendo le dita sull'interruttore e non collegarli alla fonte di alimentazione se l'interruttore è in posizione di avvio.
- **Rimuovere eventuali chiavi di regolazione o avvitaemento prima di avviare l'apparecchio elettrico.** Una chiave di serraggio rimasta inserita in un elemento mobile dell'apparecchio elettrico comporta il rischio di infortuni.
- **Non allungarsi eccessivamente. Mantenere sempre un buon equilibrio evitando posizioni instabili.** Ciò assicura un miglior controllo dell'apparecchio elettrico in situazioni impreviste.
- **Vestirsi in modo adeguato. Non indossare indumenti ampi o gioielli. Tenere capelli e indumenti lontani dalle parti in movimento.** Indumenti ampi, gioielli e capelli lunghi possono impigliarsi nelle parti in movimento.
- **Se sono disponibili dei dispositivi per l'estrazione e la raccolta della polvere, assicurarsi che siano collegati e utilizzati correttamente.** L'uso di tali dispositivi può ridurre i rischi derivanti dalla polvere.
- **Non lasciare che la familiarità con gli apparecchi elettrici (derivata da un uso frequente) abbassi il livello di attenzione.** Anche una minima distrazione può causare gravi infortuni.

IT

USO E MANUTENZIONE DEGLI APPARECCHI ELETTRICI

- **Non forzare l'apparecchio elettrico. Usare l'apparecchio elettrico più adatto al lavoro da svolgere.** Gli apparecchi elettrici sono più sicuri ed efficaci se utilizzati alla velocità per la quale sono stati progettati.
- **Non usare l'apparecchio elettrico se l'interruttore non funziona correttamente.** Un apparecchio elettrico che non può essere controllato dall'interruttore è pericoloso e deve essere riparato.
- **Rimuovere il gruppo batteria, se removibile, e/o scollegare l'apparecchio dalla fonte di alimentazione prima di regolarlo, riparlo o sostituire gli accessori.** Tali misure preventive riducono il rischio di avvio accidentale degli apparecchi elettrici.
- **Riporre gli apparecchi elettrici fuori dalla portata dei bambini e non permetterne l'uso a persone che non hanno familiarità con l'apparecchio o le istruzioni per l'uso.** Gli apparecchi elettrici sono pericolosi se utilizzati da persone non competenti.
- **Sottoporre gli apparecchi elettrici e gli accessori a una regolare manutenzione. Verificare che le parti mobili non siano disallineate o inceppate e che non siano presenti danni o altre condizioni suscettibili di pregiudicare il corretto funzionamento dell'apparecchio elettrico. Se l'apparecchio elettrico è danneggiato, farlo riparare prima di usarlo nuovamente.** Molti incidenti sono provocati da apparecchi elettrici in cattive condizioni.
- **Mantenere gli accessori di taglio puliti e affilati.** Un'adeguata manutenzione e affilatura degli accessori da taglio riduce il rischio di inceppamento e facilita il controllo dell'apparecchio.
- **Usare l'apparecchio elettrico, gli accessori, le punte ecc. conformemente a queste istruzioni, tenendo conto delle condizioni dell'area di lavoro e del tipo di lavoro da svolgere.** L'uso dell'apparecchio elettrico per operazioni diverse da quelle per cui è progettato può comportare situazioni di pericolo.
- **Mantenere le impugnature e le superfici di presa asciutte, pulite e prive di olio o grasso.** Impugnature e superfici di presa scivolose non garantiscono l'uso sicuro e il controllo dell'apparecchio elettrico in situazioni impreviste.

USO E MANUTENZIONE DELLA BATTERIA

- **Ricaricare la batteria esclusivamente con il caricabatteria specificato dal costruttore.** Un caricabatteria adatto a un certo tipo di gruppo batteria

comporta il rischio di incendio se utilizzato con gruppi batteria di tipo diverso.

- **Usare esclusivamente gruppi batteria progettati specificamente per questo apparecchio elettrico.** L'uso di altri gruppi batteria comporta il rischio di incendio e infortunio.
- **Quando il gruppo batteria non è in uso, tenerlo lontano da piccoli oggetti metallici, ad esempio graffette, monete, chiavi, chiodi, viti ecc. poiché potrebbero creare un collegamento tra i due terminali.** Il cortocircuito dei terminali della batteria comporta il rischio di incendio o ustioni.
- **L'uso improprio può causare fuoriuscite di liquido dalla batteria: evitare il contatto con tale liquido. In caso di contatto accidentale, lavare l'area interessata con acqua. Se il liquido entra a contatto con gli occhi, consultare un medico.** Il liquido fuoriuscito dalla batteria può causare irritazioni o ustioni.
- **Non usare gruppi batteria o apparecchi elettrici danneggiati o modificati.** Le batterie danneggiate o modificate possono manifestare comportamenti imprevisti, con il rischio di incendio, esplosione o infortunio.
- **Non esporre il gruppo batteria o l'apparecchio elettrico a fiamme o temperature eccessive.** L'esposizione a fiamme o temperature superiori a 130°C comporta il rischio di esplosione.
- **Rispettare tutte le istruzioni relative alla ricarica e non ricaricare il gruppo batteria o l'apparecchio elettrico a temperature diverse da quelle specificate nelle istruzioni.** Una ricarica eseguita in modo improprio o a temperature diverse da quelle specificate può danneggiare la batteria e aumentare il rischio di incendio.

RIPARAZIONI

- **Affidare la riparazione dell'apparecchio elettrico a personale qualificato e utilizzare esclusivamente parti di ricambio identiche.** Ciò garantisce la sicurezza dell'apparecchio elettrico.
- **Non riparare gruppi batteria danneggiati.** La riparazione dei gruppi batteria deve essere effettuata esclusivamente dal costruttore o da un centro di assistenza autorizzato.

AVVERTENZE DI SICUREZZA SPECIFICHE PER POMPE IRRORATRICI CORDLESS

- ▲ **PERICOLO! Rischio di incendio o esplosione.** Non

nebulizzare liquidi infiammabili, ad esempio la benzina.

AVVERTENZA!

- Per evitare il rischio di lesioni, indossare protezioni per gli occhi, le vie respiratorie e la pelle.
- Per ridurre il rischio di scossa elettrica, non esporre l'apparecchio alla pioggia.
- Per il solo uso domestico e all'aperto.
- Non nebulizzare liquidi infiammabili o combustibili in aree chiuse. La nebulizzazione di liquidi combustibili comporta il rischio di incendio o esplosione, in particolare in aree chiuse.
- L'area di irradiazione deve essere ben ventilata.
- Non fumare durante l'irradiazione e non nebulizzare liquidi in presenza di fiamme o scintille.
- Rimuovere il gruppo batteria prima di riempire il serbatoio. Rimuovere eventuali fuoriuscite di liquido prima di inserire il gruppo batteria. Il rispetto di questa istruzione riduce il rischio di scossa elettrica ed evita l'infiltrazione di liquidi corrosivi nel gruppo batteria, che può causare situazioni di pericolo, tra cui il corto circuito del gruppo batteria, con il rischio di fumo, incendio e/o lesioni gravi.
- Impedire l'infiltrazione di fluidi corrosivi o conduttivi all'interno del gruppo batteria. Se il gruppo batteria entra a contatto con fluidi corrosivi o conduttivi, consultare il manuale di istruzioni del gruppo batteria.
- Prima dell'uso, leggere attentamente l'etichetta sul contenitore originale della sostanza da nebulizzare e seguire le istruzioni. Alcune sostanze sono pericolose e non devono essere usate con questo apparecchio perché possono danneggiarlo, con il rischio di danni materiali e lesioni personali.
- Informarsi sul contenuto della sostanza chimica da nebulizzare. Leggere la scheda di sicurezza dei materiali (MSDS) e le etichette sul contenitore della sostanza. Rispettare le avvertenze di sicurezza fornite dal produttore della sostanza.
- Rischio di scossa elettrica! Non dirigere il liquido nebulizzato verso prese di corrente.
- Non versare nel serbatoio liquidi caldi o bollenti. Possono danneggiare i tubi o il serbatoio.
- Non usare l'apparecchio in presenza di vento. Il liquido nebulizzato potrebbe entrare a contatto con piante o oggetti da proteggere.
- Conservare l'apparecchio in un luogo chiuso, sicuro e ben ventilato e con il serbatoio vuoto.
- Non nebulizzare candeggina o perossido di

idrogeno.


- Non nebulizzare sostanze chimiche a base d'alcol.
- Non nebulizzare polveri o sostanze chimiche abrasive.
- Non nebulizzare liquidi caustici (alcali) o autoriscaldanti.
- Non usare sostanze chimiche dannose per l'ambiente vietate dalle normative locali.
- Non dirigere l'ugello di irradiazione verso persone o animali.
- Non permettere l'uso dell'apparecchio a bambini, persone con ridotte capacità fisiche, mentali o sensoriali o prive di esperienza e conoscenza o persone che non conoscono queste istruzioni.
- L'operatore o l'utente è responsabile per eventuali incidenti o rischi causati ad altre persone o proprietà.
- L'apparecchio deve essere usato esclusivamente con prodotti fitosanitari approvati dalle normative locali/nazionali sull'uso di prodotti fitosanitari con pompe irroratrici a zaino.
- Rischio di iniezione. Non dirigere il liquido nebulizzato verso la pelle. Tenere tutte le parti del corpo fuori dall'area di irradiazione.
- Non lasciare il liquido da nebulizzare o residui all'interno del serbatoio dopo l'uso. Pulirlo dopo ogni utilizzo.
- Per ridurre il rischio di incendio o esplosione, usare liquidi con punto di infiammabilità superiore a 60°C.
- Per ridurre il rischio di scossa elettrica, non immergere l'apparecchio in acqua o altri liquidi. Non posizionare o conservare l'apparecchio in punti da cui può cadere in una vasca o un lavello.
- Mantenere l'apparecchio in buono stato. Ispezionare accuratamente l'interno e l'esterno dell'apparecchio ed esaminare i componenti prima di ogni utilizzo. Verificare che nessuna parte sia mancante o danneggiata, che il serbatoio non sia deteriorato, che gli ugelli non siano ostruiti e che non siano presenti perdite. Se l'apparecchio è danneggiato, farlo riparare prima di utilizzarlo nuovamente. Molti incidenti sono provocati da apparecchi in cattive condizioni.
- Portare l'interruttore in posizione di arresto quando l'apparecchio non è in uso e prima di pulirlo o sottoporlo a manutenzione.
- Scollegare la batteria dall'apparecchio prima di drenarlo, pulirlo o riporlo. Tali misure preventive

riducono il rischio di avvio accidentale.

- **Indossare sempre occhiali di sicurezza con protezioni laterali.** Ciò evitare il rischio di oggetti proiettati verso gli occhi dell'operatore e altre lesioni gravi.
- **Proteggere le vie respiratorie. Indossare dispositivi di sicurezza omologati, tra cui come maschere respiratorie progettate appositamente per filtrare liquidi nebulizzati e guanti.** Il rispetto di questa istruzione riduce il rischio di lesioni gravi. Rispettare le avvertenze di sicurezza fornite dal produttore della sostanza e le linee guida riportate nella scheda di sicurezza dei materiali.
- **Le sostanze chimiche e i loro fumi possono essere pericolosi e causare lesioni, anche permanenti o letali, in caso di ingestione, inalazione o contatto con gli occhi o la pelle.** Rispettare le avvertenze di sicurezza fornite dal produttore della sostanza e le linee guida riportate nella scheda di sicurezza dei materiali.
- **Per ridurre il rischio di infortuni è necessaria un'attenta supervisione quando l'apparecchio è utilizzato in presenza di bambini.**
- **Non toccare le parti in movimento.**
- **Usare esclusivamente accessori raccomandati o commercializzati dal costruttore.**
- **Prevenire l'avvio accidentale. Assicurarsi che l'interruttore sia in posizione di arresto prima di sollevare o trasportare l'apparecchio e di inserire il gruppo batteria.** Per ridurre il rischio di incidenti, non trasportare l'apparecchio tenendo le dita sull'interruttore e non collegarlo alla fonte di alimentazione se l'interruttore è in posizione di avvio.

CONSERVARE QUESTE ISTRUZIONI

SPECIFICHE TECNICHE

Tensione nominale	56 V 
Capacità del serbatoio max.	15 L
Pressione di esercizio max.	24 bar
Portata di irrorazione max. (con ugello regolabile, modalità a spruzzo)	2,3 L/min
Diametro filtro interno	35 mm
Diametro griglia filtro interno	0,35 mm
Diametro filtro esterno	124 mm
Peso (con serbatoio vuoto e senza gruppo batteria)	7,6 kg
Temperatura di funzionamento raccomandata	Da 5°C a 40°C
Temperatura di conservazione raccomandata	Da -20°C a 70°C
Temperatura di ricarica raccomandata	Da 5°C a 40°C

AVVERTENZA! Prima di usare la pompa irroratrice, assicurarsi che il suo peso totale, incluso il liquido nel serbatoio, l'ugello di irrorazione e il gruppo batteria, non superi i 25 kg per evitare il rischio di lesioni e perdita di equilibrio.

- Il valore totale di emissione delle vibrazioni dichiarato è stato misurato con un metodo di valutazione standard e può essere utilizzato per confrontare l'apparecchio con altri prodotti analoghi.
- Il valore totale di emissione delle vibrazioni dichiarato può essere utilizzato anche per una valutazione preliminare dei livelli di esposizione.

NOTA: il valore di emissione delle vibrazioni durante l'uso effettivo dell'utensile elettrico può variare rispetto al valore totale dichiarato in base alla modalità di utilizzo dell'utensile. Per proteggersi, l'operatore deve indossare guanti e dispositivi di protezione per le orecchie in base alle condizioni di utilizzo effettive.

CONTENUTO DELL'IMBALLAGGIO (FIG. A1)

DESCRIZIONE

COMPONENTI DELLA POMPA IRRORATRICE (FIG. A1)

1. Tubo
2. Vano batteria
3. Serbatoio
4. Tappo del serbatoio
5. Impugnatura di trasporto
6. Imbracatura regolabile
7. Selettore della velocità
8. Levetta di bloccaggio
9. Interruttore a grilletto
10. Impugnatura di controllo
11. Cappuccio terminale
12. Lancia di irrorazione
13. Ugello regolabile
14. Ugello a ventaglio
15. Ugello schiumogeno
16. Ugello a doccia

ASSEMBLAGGIO

AVVERTENZA! In caso di componenti danneggiati o mancanti, non usare il prodotto finché i componenti non vengono sostituiti. L'uso dell'apparecchio con componenti danneggiati o mancanti comporta il rischio di lesioni gravi.

AVVERTENZA! Non tentare di modificare l'apparecchio o usare accessori non raccomandati per l'uso con questo apparecchio. Tali alterazioni o modifiche costituiscono un uso improprio e comportano condizioni pericolose e il rischio di lesioni gravi.

AVVERTENZA! Per evitare l'avvio accidentale e il conseguente rischio di lesioni gravi, rimuovere sempre il gruppo batteria dall'apparecchio prima di regolarlo, pulirlo, assemblare i componenti e quando non è in uso.

- Il prodotto deve essere assemblato.
- Estrarre il prodotto e gli accessori dall'imballaggio con attenzione. Assicurarsi che siano presenti tutti i componenti descritti alla sezione **Contenuto dell'imballaggio**.
- Ispezionare attentamente il prodotto per assicurarsi che non abbia subito danni durante il trasporto.

- Non gettare i materiali di imballaggio finché il prodotto non è stato ispezionato con attenzione e collaudato.
- In caso di componenti danneggiati o mancanti, riportare il prodotto presso il punto vendita.

COLLEGAMENTO DELLA LANCIA DI IRRORAZIONE ALL'IMPUGNATURA DI CONTROLLO

1. Avvitare il cappuccio terminale della lancia di irrorazione all'impugnatura di controllo e serrarlo saldamente in senso orario (Fig. B).
2. Tirare la lancia di irrorazione per assicurarsi che sia fissata saldamente.

UTILIZZO

AVVERTENZA! La familiarità con questo prodotto non deve rendere l'operatore disattento. Anche un solo momento di disattenzione comporta il rischio di lesioni gravi.

AVVERTENZA! Indossare dispositivi di protezione individuale. Proteggere gli occhi, la pelle e le vie respiratorie durante la miscelazione, il riempimento, l'irrorazione e la pulizia per evitare il rischio di lesioni gravi o danni materiali.

AVVERTENZA! Per evitare il rischio di lesioni gravi, rimuovere il gruppo batteria dall'apparecchio prima di pulirlo, sottoporlo a manutenzione, sostituire gli accessori, riempire o svuotare il serbatoio.

AVVERTENZA! Non usare accessori non raccomandati dal costruttore del prodotto. L'uso di accessori non raccomandati comporta il rischio di lesioni gravi.

Prima di ogni utilizzo, ispezionare l'intero prodotto per verificare che nessun elemento sia mancante e non siano presenti componenti danneggiati o allentati, ad esempio viti, bulloni, cappucci, ecc. Serrare saldamente tutti i dispositivi di fissaggio e non usare il prodotto finché tutti i componenti mancanti o danneggiati non vengono sostituiti.

DESTINAZIONE D'USO

Questo prodotto può essere usato per gli scopi elencati di seguito.

- Applicazione di fertilizzanti e annaffiatura delle piante.
- Nebulizzazione di erbicidi, pesticidi e fungicidi.

NOTA: il prodotto è destinato al solo uso agricolo e orticolo.

NOTA: il prodotto deve essere utilizzato esclusivamente per gli scopi previsti. Altri utilizzi sono da considerarsi impropri.

AVVERTENZA! L'applicazione impropria di soluzioni o sostanze chimiche comporta il rischio di LESIONI GRAVI o MORTALI. Rispettare le avvertenze di sicurezza fornite dal produttore della sostanza e le linee guida riportate nella scheda di sicurezza dei materiali.

IT

RIEMPIMENTO DEL SERBATOIO (Fig. C)

AVVERTENZA! Rispettare le istruzioni per l'uso, la pulizia e la conservazione della sostanza chimica fornite dal produttore e riportate sull'etichetta del contenitore. Non combinare sostanze chimiche differenti. Pulire accuratamente il serbatoio dopo ogni utilizzo come descritto alla sezione "MANUTENZIONE" di questo manuale. Conservare le sostanze chimiche fuori dalla portata dei bambini, per evitare il rischio di lesioni gravi.

AVVERTENZA! Per evitare il rischio di lesioni e perdita di equilibrio, assicurarsi che la quantità di liquido nel serbatoio non renda il peso totale della pompa irroratrice, ugello di irrorazione e gruppo batteria inclusi, superiore a 25 kg.

Le sostanze chimiche liquide non devono essere più dense dell'acqua; in caso contrario non verranno nebulizzate correttamente. Non riempire eccessivamente il serbatoio.

1. Rimuovere il gruppo batteria.
2. Svitare il tappo del serbatoio in senso antiorario e rimuoverlo.
3. Posizionare la pompa irroratrice su una superficie a livello.
4. Riempire il serbatoio con la quantità desiderata di acqua.
5. Misurare la quantità raccomandata della sostanza chimica.
6. Versare con attenzione la sostanza chimica nel serbatoio.
7. Riavviare il tappo del serbatoio e assicurarsi che sia serrato saldamente.

Le soluzioni da nebulizzare possono essere anche premiscelate.

NOTA: se si utilizza un recipiente dosatore per versare il liquido, assicurarsi di pulirlo e risciacquarlo accuratamente dopo l'uso. Se la soluzione è stata miscelata in un contenitore separato, risciacquare tale contenitore.

NOTA: è importante che la pompa irroratrice venga pulita accuratamente dopo ogni utilizzo. Se il liquido rimane nella pompa irroratrice per un lungo periodo dopo l'uso, i componenti mobili e i connettori possono bloccarsi.

INSTALLAZIONE/RIMOZIONE DEL GRUPPO BATTERIA

Usare l'apparecchio esclusivamente con i gruppi batteria e i caricabatteria EGO elencati in Fig. A2.

Consultare il manuale dei gruppi batteria e del caricabatteria per le istruzioni dettagliate.

Ricaricare completamente la batteria prima del primo utilizzo.

1. Aprire il coperchio del vano batteria sollevando la parte anteriore del coperchio (Fig. D1).
2. **Installazione:** allineare i rilievi sul gruppo batteria con le scanalature di assemblaggio e premere il gruppo batteria fino a udire un "clic" (Fig. D1).
3. **Rimozione:** premere il pulsante di rilascio della batteria ed estrarre il gruppo batteria (Fig. D2).
4. Chiudere il coperchio del vano batteria.

AVVERTENZA! Prestare sempre attenzione ai propri piedi e all'eventuale presenza di bambini o animali attorno a sé durante la rimozione del gruppo batteria. La caduta del gruppo batteria comporta il rischio di lesioni gravi. Non rimuovere MAI il gruppo batteria quando si è in posizione elevata.

AVVERTENZA! Prima dell'uso, assicurarsi che il fermaglio sulla pompa irroratrice sia scattato in posizione, che il gruppo batteria sia fissato saldamente e che il coperchio del vano batteria sia chiuso completamente. Se installato scorrettamente, il gruppo batteria potrebbe cadere, con il rischio di lesioni gravi.

AVVERTENZA! Per evitare lesioni gravi, rimuovere sempre il gruppo batteria e tenere le mani lontane dall'impugnatura di controllo durante il sollevamento o il trasporto dell'apparecchio.

POSIZIONAMENTO DELLA POMPA IRRORATRICE A ZAINO

AVVERTENZA! Vestirsi adeguatamente per ridurre il rischio di infortunio durante l'uso dell'apparecchio. Non indossare indumenti ampi o gioielli. Indossare protezioni per gli occhi. Indossare pantaloni lunghi e pesanti, stivali e guanti. Non indossare pantaloni corti o sandali e non usare il soffiatore a piedi nudi.

Prima di usare la pompa irroratrice a zaino, assicurarsi di

indossare protezioni per gli occhi e indumenti adeguati e di assumere una postura salda e in equilibrio.

Regolazione dell'imbracatura

1. Infilare le braccia attraverso gli spallacci per indossare la pompa irroratrice sulla schiena.
2. Regolare provvisoriamente le cinghie degli spallacci (Fig. E1) e assicurarsi che il gomito sia in una posizione confortevole.
3. Allacciare la fibbia della cinghia toracica e regolare la lunghezza della cinghia se necessario (Fig. E2).
4. Allacciare la fibbia della cintura e regolare la lunghezza della cinghia affinché lo zaino sia sostenuto saldamente dal bacino (Fig. E3, E4).

NOTA: lo zaino non deve essere indossato troppo in alto sulla schiena; deve essere più vicino al bacino che alle spalle.

AVVERTENZA! In caso di emergenza, slacciare immediatamente la fibbia della cintura e la fibbia della cinghia toracica e sfilare lo zaino. Questo è un metodo di rilascio rapido.

5. Regolare nuovamente gli spallacci finché non sono sicuri e confortevoli. Assicurarsi che lo zaino sia appoggiato saldamente sulla schiena, con il peso sostenuto dalla cintura, e verificare che non si sposti eccessivamente durante i propri movimenti (Fig. E5).
6. Inserire le estremità libere della cinghia della cintura negli elastici su entrambi i lati (Fig. E6).
7. Per rimuovere lo zaino dalla schiena, premere la fibbia della cintura e la fibbia della cinghia toracica e abbassare la pompa irroratrice (Fig. E7).

AVVIO/ARRESTO DELLA POMPA IRRORATRICE (FIG. F)

Selettore della velocità

1. Per aumentare la portata, ruotare il selettore della velocità in senso orario.

F-1	Selettore della velocità	F-3	Interruttore a grilletto
F-2	Levetta di bloccaggio		

2. Per ridurre la portata, ruotare il selettore della velocità in senso antiorario.
3. Ruotando il selettore completamente in senso antiorario, l'irrorazione si arresterà.

AVVERTENZA! Per evitare l'avvio accidentale,

ruotare il selettore della velocità completamente in senso antiorario, portando il puntino rosso sul selettore verso la lancia di irrorazione.

AVVERTENZA! Prima di riporre l'apparecchio o sostituire il gruppo batteria, o in previsione di un lungo periodo di inutilizzo, ruotare il selettore della velocità completamente in senso antiorario, portando il puntino rosso sul selettore verso la lancia di irrorazione.

Interruttore a grilletto

1. Premere l'interruttore a grilletto per avviare l'irrorazione.
2. Rilasciare l'interruttore a grilletto per arrestare l'irrorazione.

Levetta di bloccaggio

La levetta di bloccaggio è utile quando è necessario irrorare per un lungo periodo o coprire un'area ampia.

1. Per bloccare l'interruttore a grilletto in posizione di avvio, premere la levetta di bloccaggio dopo aver premuto l'interruttore a grilletto.
2. Per rilasciare l'interruttore a grilletto, tirare la levetta di bloccaggio.

NOTA: Assicurarsi che l'interruttore a grilletto non sia bloccato prima di inserire il gruppo batteria nella pompa irroratrice.

REGOLAZIONE E SOSTITUZIONE DEGLI UGELLI

AVVERTENZA! Per evitare il rischio di lesioni, rimuovere il gruppo batteria prima di regolare o sostituire gli ugelli.

Insieme alla pompa irroratrice sono forniti quattro ugelli: un ugello regolabile, un ugello a ventaglio, un ugello a doccia e un ugello schiumogeno. Selezionare l'ugello più adatto all'applicazione e sostituirlo prima di iniziare il lavoro.

Ugello regolabile (Fig. G1): per irrorare con precisione aiuole, vialetti, passerelle, patio e le aree intorno ad alberi e cespugli; per irrorare lungo recinzioni, vialetti e passerelle; per eliminare le erbacce.

Ugello a ventaglio (Fig. G3): emette un getto piatto per coprire aree molto ampie e nebulizzare liquidi ad alta viscosità; per preparare aree ampie per la semina.

G-1	Ugello a ventaglio	G-3	Ugello schiumogeno
G-2	Ugello a doccia		

Ugello a doccia (Fig. G3): emette un flusso elevato di

acqua per annaffiare e trattare le piante.

Ugello schiumogeno (Fig. G3): per contrassegnare visibilmente le erbacce trattate; per irrorare con precisione le erbacce nei prati e intorno ad aiuole, alberi e cespugli; per irrorare lungo recinzioni, vialetti e passerelle.

L'ugello regolabile può irrorare il liquido a getto o a spruzzo (Fig. G1).

IT

1. Ruotare la parte zigrinata dell'ugello in senso antiorario per la modalità a getto.
2. Ruotare la parte zigrinata dell'ugello in senso orario per la modalità a spruzzo.

Svitare l'intero ugello in senso antiorario per rimuoverlo e sostituirlo (Fig. G2).

Di seguito sono riportate le portate dei diversi ugelli inclusi insieme alla pompa irroratrice.

	Portata nominale (L/min)	Pressione di esercizio massima (L/min)	Pressione di esercizio ottimale (L/min)
Ugello regolabile	2,3	2,7	2,4
Ugello a ventaglio	2,3	2,7	2,4
Ugello a doccia	2,3	2,9	2,7
Ugello schiumogeno	2,3	2,7	2,4

NEBULIZZAZIONE DI SOSTANZE CHIMICHE (Fig. H)

AVVERTENZA! Non dirigere l'ugello della lancia di irrorazione verso di sé o altre persone.

AVVERTENZA! Non fumare, mangiare o bere durante l'uso della pompa irroratrice.

AVVERTENZA! Non nebulizzare verso persone o animali; nebulizzare sempre sottovento.

AVVERTENZA! Rischio di incendio o esplosione! L'area di irrorazione deve essere ben ventilata e priva di fiamme o scintille.

1. Installare il gruppo batteria.
2. Ruotare il selettore della velocità per regolare la portata.
3. Dirigere l'ugello direttamente verso le piante o gli

oggetti da irrorare.

NOTA: rimanere a una distanza sufficiente dall'oggetto da irrorare per evitare che il liquido nebulizzato schizzi contro di sé.

4. Premere l'interruttore a grilletto per avviare l'irrorazione.
5. Rilasciare l'interruttore a grilletto per arrestare l'irrorazione.
6. Drenare e pulire il serbatoio dopo ogni utilizzo come descritto alla sezione "MANUTENZIONE".

SUGGERIMENTI PER L'USO

- Regolare gli spillacci dell'imbracatura affinché la pompa irroratrice si trovi sopra il livello della vita e il serbatoio sia aderente alla schiena.
- Non usare l'apparecchio in presenza di vento. Il liquido nebulizzato potrebbe entrare a contatto con piante o oggetti da proteggere.
- Nebulizzare di mattina presto o nel tardo pomeriggio, in particolare durante la stagione calda. Il calore intenso può far evaporare il liquido nebulizzato prima che agisca.

MANUTENZIONE

AVVERTENZA! Per la riparazione, usare esclusivamente parti di ricambio identiche. L'uso di altri ricambi comporta situazioni pericolose o il rischio di danni al prodotto. Per garantire sicurezza e affidabilità, tutte le operazioni di riparazione e sostituzione devono essere effettuate da un tecnico qualificato.

AVVERTENZA! Per evitare il rischio di lesioni gravi, rimuovere il gruppo batteria dall'apparecchio prima di pulirlo, ripararlo, sottoporlo a manutenzione, riparlo o sostituire gli ugelli. Un apparecchio elettrico con il gruppo batteria inserito è sempre acceso e può avviarsi accidentalmente.

MANUTENZIONE GENERALE

Qualsiasi intervento sulla pompa irroratrice diverso da quelli elencati in queste istruzioni deve essere eseguito da un tecnico qualificato.

PULIZIA

Evitare l'uso di solventi durante la pulizia delle parti in plastica. I solventi disponibili in commercio possono danneggiare la maggior parte dei componenti in plastica. Usare un panno pulito per rimuovere sporcizia, polvere, olio, grasso, ecc.

AVVERTENZA! Impedire il contatto di liquido per freni, benzina, prodotti a base di petrolio, oli penetranti, ecc. con le parti in plastica. Le sostanze chimiche possono danneggiare, indebolire o distruggere la plastica, con il rischio di lesioni gravi.

AVVERTENZA! Durante la pulizia della pompa irroratrice, NON immergerla in acqua o altri liquidi.

AVVERTENZA! Riporre e smaltire le sostanze chimiche in modo corretto. Smaltire l'acqua contaminata ai sensi delle normative e delle leggi in vigore.

- Se nel serbatoio è presente del liquido dopo l'uso, drenare il serbatoio prima di pulirlo.
- Pulire l'esterno del serbatoio esclusivamente con un panno morbido e asciutto; non usare detersivi o alcol.
- Riempire il serbatoio per un terzo con acqua pulita. Nebulizzare l'acqua finché il serbatoio non si svuota. Assicurarsi di dirigere la nebulizzazione verso un'area che non può essere danneggiata dalla soluzione.
- Riempire nuovamente il serbatoio con acqua pulita e ripetere l'operazione. Potrebbe essere necessario risciacquare il serbatoio più volte; in tal caso, drenarlo come descritto in precedenza.
- Lasciare che tutte le parti si asciughino completamente prima di riassemblare e riporre l'apparecchio.

MANUTENZIONE DEGLI UGELLI

AVVERTENZA! Sottoporre gli ugelli di irrorazione a regolare manutenzione per evitare perdite d'acqua. Eventuali fuoriuscite di acqua possono rendere scivolosa la superficie circostante, con il rischio di caduta o danni.

Una nebulizzazione irregolare o perdite d'acqua possono essere causate da ugelli sporchi o ostruiti.

1. Spegner l'apparecchio e rimuovere il gruppo batteria.
2. **Pulizia dell'ugello regolabile (Fig. I1):**
 - a. Svitare e rimuovere la parte zigrinata dell'ugello regolabile.
 - b. Inserire del fil di ferro (non incluso) attraverso il foro trasversale per rimuovere eventuali detriti. Se necessario, risciacquare il foro trasversale e l'ugello con acqua pulita.
 - c. Asciugare l'ugello con un panno asciutto e pulito e reinstallarlo.
3. **Pulizia dell'ugello a ventaglio e dell'ugello schiumogeno (Fig. I2):**
 - a. Svitare e rimuovere l'ugello dalla lancia di

irrorazione.

b. Inserire del fil di ferro (non incluso) attraverso il foro per rimuovere eventuali detriti. Se necessario, risciacquare l'ugello con acqua pulita.

c. Asciugare l'ugello con un panno asciutto e pulito e reinstallarlo.

TRASPORTO E CONSERVAZIONE (Fig. J)

- Rimuovere il gruppo batteria.
- Ruotare il selettore della velocità completamente in senso antiorario, portando il puntino rosso sul selettore verso la lancia di irrorazione.
- Pulire accuratamente la pompa di irrorazione.
- Svuotare il serbatoio, il tubo e la lancia di irrorazione.

NOTA: prima di riporre la pompa di irrigazione, in particolare per la stagione invernale, svuotare il serbatoio, il tubo e la lancia di irrorazione per evitare che il liquido geli e danneggi l'apparecchio.

- Fissare la lancia di irrorazione alla base con la clip di aggancio.

J-1	Clip di aggancio	J-3	Impugnatura di trasporto
J-2	Base		

- Sollevare o trasportare la pompa di irrigazione usando l'impugnatura di trasporto o l'imbracatura.
- Conservare la pompa di irrorazione in un luogo chiuso, ben ventilato.
- e al riparo da agenti corrosivi, ad esempio sostanze chimiche per il giardinaggio e sale per disgelo.

Protezione dell'ambiente



Non smaltire gli apparecchi elettrici, i caricabatteria e le batterie insieme ai rifiuti domestici.

Portare il prodotto presso un centro di riciclaggio autorizzato affinché venga raccolto separatamente. Gli apparecchi elettrici devono essere portati presso un centro di riciclaggio ecocompatibile.

RISOLUZIONE DEI PROBLEMI

IT

PROBLEMA	CAUSA	SOLUZIONE
La pompa irroratrice non si avvia.	<ul style="list-style-type: none"> ■ Il gruppo batteria non è installato correttamente nel vano batteria. ■ Nessun contatto elettrico tra la pompa irroratrice e il gruppo batteria. ■ Il gruppo batteria è scarico. ■ Il gruppo batteria/la pompa irroratrice è troppo caldo. 	<ul style="list-style-type: none"> ■ Assicurarsi che il gruppo batteria sia installato correttamente nel vano batteria. ■ Rimuovere il gruppo batteria, ispezionare i contatti e reinstallare il gruppo batteria. ■ Ricaricare il gruppo batteria. ■ Arrestare la pompa irroratrice e attendere che la temperatura del gruppo batteria o della pompa irroratrice rientri nell'intervallo di funzionamento raccomandato.
Il motore funziona ma l'ugello non nebulizza il liquido.	<ul style="list-style-type: none"> ■ La quantità di liquido nel serbatoio è insufficiente. ■ L'ugello si è ostruito durante l'uso. 	<ul style="list-style-type: none"> ■ Controllare che nel serbatoio sia presente una quantità sufficiente di liquido. ■ Pulire gli ugelli come indicato alla sezione "MANUTENZIONE DEGLI UGELLI" e reinstallarli.
Perdite di liquido tra l'impugnatura di controllo e la lancia di irrorazione.	<ul style="list-style-type: none"> ■ Il cappuccio terminale della lancia di irrorazione è allentato. 	<ul style="list-style-type: none"> ■ Serrare il cappuccio terminale.
Perdite di liquido tra la lancia di irrorazione e l'ugello.	<ul style="list-style-type: none"> ■ L'ugello è allentato o installato in modo scorretto. 	<ul style="list-style-type: none"> ■ Reinstallare l'ugello e serrarlo come descritto alla sezione "REGOLAZIONE E SOSTITUZIONE DEGLI UGELLI".

GARANZIA

CONDIZIONI DELLA GARANZIA EGO

Visitare il sito web egopowerplus.eu per consultare le condizioni complete della garanzia EGO.

LEES ALLE INSTRUCTIES!



LEES DE GEBRUIKSAANWIJZING

⚠ WAARSCHUWING: Laat alle reparaties uitvoeren door een vakbekwame reparateur om een continue veiligheid en betrouwbaarheid te waarborgen.

⚠ WAARSCHUWING: Lees en begrijp alle veiligheidsinstructies die in deze gebruikershandleiding zijn vermeld, waaronder alle veiligheidssymbolen zoals “GEVAAR”, “WAARSCHUWING” en “OPGELET” voordat u dit apparaat in gebruik neemt. Het negeren van onderstaande instructies kan leiden tot een elektrische schok, brand en/of ernstig persoonlijk letsel.

NL

BEWAAR ALLE WAARSCHUWINGEN EN INSTRUCTIES VOOR TOEKOMSTIG GEBRUIK.

VEILIGHEIDSSYMBOLEN

⚠ WAARSCHUWING: Het gebruik van elektrische gereedschappen kan leiden tot het rondslingeren van (vreemde) objecten die in uw ogen kunnen terechtkomen. Dit kan leiden tot ernstig oogletsel. Wanneer u elektrische apparaten gebruikt, zorg er dan voor dat u altijd een veiligheidsbril (met zijschermen) of een gelaatsscherm draagt. We bevelen aan om een gelaatsscherm over uw bril of een standaard veiligheidsbril met zijschermen te gebruiken.



Veiligheidswaarschuwing



De gebruiker dient de gebruiksaanwijzing voor het gebruik van dit product te lezen en te begrijpen om risico op letsel te beperken.



Draag beschermende kleding.



Houd omstanders uit de buurt tijdens het sproeien.



Draag een gelaatsscherm.



Dit product is in overeenstemming met de EG-richtlijnen.



Gewaarborgd geluidsvermogensniveau. Geluidsemisatie voor de omgeving in overeenstemming met de richtlijnen van de Europese Unie.



Dit product is in overeenstemming met de toepasselijke richtlijnen van het VK.



Gooi elektrisch afval niet via het huishoudelijk afval weg. Breng het naar een geautoriseerd recyclingbedrijf.

IPX4

Bescherming tegen opspattend water



Gelijkstroom

./min

Per minuut

V

Spanning

n_0

Snelheid zonder belasting

mm

Millimeter

ALGEMENE VEILIGHEIDSWAARSCHUWINGEN

⚠ WAARSCHUWING: Lees alle veiligheidswaarschuwingen, instructies, illustraties en specificaties die met deze machine worden geleverd. Het niet opvolgen van alle onderstaande instructies kan leiden tot elektrische schokken en/of ernstig letsel.

Bewaar alle waarschuwingen en instructies voor toekomstig gebruik.

De term "gereedschap" in de waarschuwingen verwijst naar uw op het voedingsnet aangedreven (met snoer) gereedschap of accu-aangedreven (snoerloos) gereedschap.

VEILIGHEID OP DE WERKPLAATS

- **Houd uw werkplaats schoon en goed verlicht.** Rommelige of donkere ruimten kunnen ongevallen veroorzaken.
- **Gebruik de machine niet in een explosieve omgeving, zoals in de aanwezigheid van ontvlambare vloeistoffen, gassen of stof.** De machine veroorzaakt vonken en deze kan stof of dampen ontsteken.
- **Houd kinderen en omstanders uit de buurt wanneer u een machine bedient.** Afeiding kan tot controleverlies leiden.

ELEKTRISCHE VEILIGHEID

- **De stekker van de machine moet in het stopcontact passen. Pas de stekker op geen enkele manier aan. Gebruik geen adapterstekker met gaeerde machines.** Niet aangepaste stekkers en overeenkomstige stopcontacten beperken het risico op elektrische schokken.
- **Vermijd lichamelijk contact met gaeerde oppervlakken, zoals pijpleidingen, radiatoren, fornuizen of koelkasten.** Het risico op een elektrische schok is groter als uw lichaam gaeerd is.
- **Stel geen machines bloot aan regen of natte omstandigheden.** Water dat een machine binnendringt vergroot het risico op elektrische schokken.
- **Gebruik de kabel niet op een verkeerde manier. Gebruik de kabel nooit om de machine te dragen of mee te trekken of om de stekker uit het stopcontact te halen. Houd de kabel uit de buurt van hitte, olie, scherpe randen of bewegende onderdelen.** Beschadigde of verstrikte kabels vergroten het risico op een elektrische schok.

- **Wanneer u een machine buitenshuis bedient, gebruik dan een verlengkabel die geschikt is voor gebruik buitenshuis.** Het gebruik van een kabel die voor gebruik buitenshuis geschikt is, verkleint het risico op een elektrische schok.
- **Als het gebruik van een machine in een vochtige ruimte noodzakelijk is, gebruik een differentieelschakelaar.** Het gebruik van een differentieelschakelaar verkleint het risico op elektrische schokken.

PERSOONLIJKE VEILIGHEID

- **Wees waakzaam, let op wat u doet en gebruik uw gezond verstand wanneer u een machine gebruikt. Gebruik geen machine niet als u moe bent of onder de invloed bent van drugs, alcohol of medicijnen.** Een moment van onoplettendheid tijdens het gebruik van de machine kan leiden tot ernstig persoonlijk letsel.
- **Gebruik persoonlijke beschermingsmiddelen. Draag altijd oogbescherming.** Beschermingsmiddelen zoals een stofmasker, slipvaste veiligheidsschoenen, veiligheidshelm of gehoorbescherming afhankelijk van de aard en het gebruik van het gereedschap verkleint het risico op persoonlijk letsel.
- **Vermijd dat de machine per ongeluk wordt gestart. Zorg dat de schakelaar op de stand 'Uit' is ingesteld voordat u de machine op een stroombron en/of accupack aansluit, vastneemt of draagt.** Het dragen van een machine met uw vinger op de schakelaar of het activeren van een machine met de schakelaar op "aan", leidt tot ongelukken.
- **Verwijder instelsleutels of moersleutels voordat u de machine inschakelt.** Een instelsleutel of moersleutel in een draaiend deel van de machine achterlaten kan leiden tot persoonlijk letsel.
- **Reik niet te ver. Zorg er altijd voor dat u stevig en stabiel staat.** Dit zorgt ervoor dat u de machine in onverwachte situaties beter onder controle kunt houden.
- **Draag passende kleding. Draag geen los hangende kleding of sieraden. Houd uw haar en kleding uit de buurt van bewegende onderdelen.** Los hangende kleding, sieraden en lang haar kunnen in bewegende onderdelen verstrikt raken.
- **Wanneer de montage van stofafzuiging- of stofopvangvoorzieningen mogelijk is, dient u ervoor te zorgen dat deze juist aangesloten en gebruikt worden.** Het gebruik van een stofopvang kan helpen om het risico in verband met stof te verlagen.

NL

- **Word niet zelfingenomen door de ervaring die u hebt opgedaan door frequent gebruik, waardoor u dan de veiligheidswaarschuwingen negeert.** Een achteloze actie kan binnen een fractie van een seconde ernstig letsel veroorzaken.

GEbruik EN ONDERHOUD VAN DE MACHINE

- **Overbelast de machine niet. Gebruik de juiste machine voor uw toepassing.** Met de juiste machine werkt u beter en veiliger binnen het aangegeven vermogensbereik.
- **Gebruik de machine niet als de schakelaar niet kan worden in- en uitgeschakeld.** Een machine die niet met de schakelaar kan worden bediend is gevaarlijk en moet worden gerepareerd.
- **Trek de stekker uit de stroomvoorziening en/of verwijder het accupack, indien die kan worden verwijderd, uit het gereedschap voordat u deze instelt, accessoires vervangt of het gereedschap opbergt.** Deze preventieve voorzorgsmaatregelen beperken het risico op onbedoeld starten van de machine.
- **Bewaar de niet-gebruikte machine buiten het bereik van kinderen en laat de machine niet bedienen door personen die niet bekend zijn met de machine of deze instructies.** Machines zijn gevaarlijk wanneer ze door onervaren personen worden gebruikt.
- **Onderhoud van machines en toebehoren. Controleer of de bewegende onderdelen correct functioneren en niet vastklemmen en/of de onderdelen zodanig gebroken of beschadigd zijn dat de werking van de machine nadelig wordt beïnvloedt. Als de machine beschadigd is, laat deze voor gebruik repareren.** Vele ongevallen worden veroorzaakt door een slecht onderhouden machine.
- **Houd de snij-onderdelen scherp en schoon.** Zorgvuldig onderhouden snij-gereedschap met scherpe snijranden klemt minder snel vast en is gemakkelijker te beheersen.
- **Gebruik het gereedschap, de accessoires, het inzetgereedschap, etc. in overeenstemming met deze instructies en houd hierbij rekening met de werkomstandigheden en de uit te voeren werkzaamheden.** Het gebruik van de machine voor andere dan de beoogde toepassingen kan een gevaarlijke situatie tot gevolg hebben.
- **Houd de handgrepen en greepvlakken droog, schoon en vrij van olie en smeervet.** Glibberige handgrepen en greepvlakken maken een veilige omgang en de controle over de machine in

onverwachte situaties onmogelijk.

GEbruik EN ONDERHOUD VAN DE ACCU VAN DE MACHINE

- **Laad alleen op met de lader die door de fabrikant is aangegeven.** Een lader die geschikt is voor een bepaald type accupack kan tot brandgevaar leiden wanneer deze gebruikt wordt met een ander accupack.
- **Gebruik machines alleen met de specifiek vermelde accupacks.** Het gebruik van andere accupacks kan risico op letsel en brandgevaar veroorzaken.
- **Wanneer u het accupack niet gebruikt, houd het uit de buurt van andere metalen voorwerpen zoals paperclips, munten, sleutels, spijkers, schroeven of andere kleine metalen voorwerpen die de twee aansluitklemmen kunnen verbinden.** Het kortsluiten van de aansluitklemmen kan brandwonden of brand veroorzaken.
- **Bij verkeerd gebruik kan er vloeistof uit de accu worden gespoten; vermijd elk contact. Als aanraking met de vloeistof toevallig plaatsvindt, spoel het dan af met water. Als de vloeistof in de ogen komt, dient u onmiddellijk een arts te consulteren.** Vloeistof uit de accu kan irritatie of brandwonden veroorzaken.
- **Gebruik geen accupack of machine de is beschadigd of aangepast.** Beschadigde of aangepaste accu's kunnen resulteren in onvoorzien gedrag zoals brand, explosie of het risico op letsel.
- **Stel een accupack of machine niet bloot aan vuur of excessieve temperaturen.** Blootstelling aan vuur of temperaturen boven 130°C kunnen leiden tot een explosie.
- **Neem alle laad instructies in acht en laad het accupack of de machine niet buiten het gespecificeerde temperatuurbereik in de handleiding op.** Het onjuist laden of bij een temperatuur buiten het temperatuurbereik kan de accu beschadigen en er bestaat een gevaar op brand.

REPARATIE

- **Laat uw machine repareren door een gekwalificeerd persoon en alleen met identieke reserveonderdelen.** Dit waarborgt dat de veiligheid van het gereedschap behouden blijft.
- **Repareer beschadigde accupacks nooit.** Onderhoud van accupacks mag alleen worden uitgevoerd door de fabrikant of een geautoriseerde dienstverlener.

VEILIGHEIDSINSTRUCTIES VOOR ACCU-SPROEIERS

⚠ GEVAAR: Gevaar voor brand of explosie. Spuit geen brandbare vloeistoffen zoals benzine.

⚠ WAARSCHUWING:

- Draag altijd oog-, ademhalings- en huidbescherming om letsel te voorkomen.
- Niet blootstellen aan regen om het risico op een elektrische schok te beperken.
- Alleen voor huishoudelijk en buitengebruik.
- Spuit geen brandbare of brandbare vloeistoffen in een afgesloten ruimte. Bij het spuiten van een brandbare vloeistof bestaat er brand- of explosiegevaar, vooral in een afgesloten ruimte.
- Het sproeigebied moet goed geventileerd zijn.
- Niet roken tijdens het sproeien of spuiten waar er vonken of vlammen aanwezig is.
- Verwijder altijd het accupack voordat u de tank vult. Veeg eventuele gemors op voordat u het accupack plaatst. Het volgen van deze waarschuwing beperkt het risico op elektrische schokken en indringing van corrosieve vloeistoffen in het accupack, wat defecten in het accupack, inclusief kortsluiting, kan veroorzaken met rook, brand en/of ernstig persoonlijk letsel tot gevolg.
- Zorg dat er geen geleidende of corrosieve vloeistoffen in het accupack terecht kunnen komen. Als geleidende of corrosieve vloeistoffen op het accupack worden gemorst, raadpleeg de instructies in de gebruikershandleiding van het accupack.
- Lees voordat u sproeimaterialen in deze sproeier gebruikt het etiket op de originele verpakking van het materiaal grondig en volg de aanwijzingen op. Sommige sproeimaterialen zijn gevaarlijk en mogen niet in deze sproeier worden gebruikt, omdat ze de sproeier kunnen beschadigen en ernstig lichamenlijk letsel of materiële schade kunnen veroorzaken.
- Ken de inhoud van de chemische stof die wordt gespreoid. Lees alle veiligheidsinformatiebladen (SDS) en etiketten op de houder die bij het chemisch middel zijn geleverd. Volg de veiligheidsinstructies van de fabrikant van het chemisch middel.
- Gevaar voor elektrische schokken. Sproei nooit in de richting van stopcontacten.

- **Giet geen hete of kokende vloeistoffen in de tank.** Deze kunnen de buizen of de tank verzwakken of beschadigen.
- **Sproei niet op winderige dagen.** De spray kan per ongeluk worden geblazen op planten of objecten die niet mogen worden besproeid.
- **Berg de sproeier op in een veilige, goed geventileerde binnenruimte met de vloeistoftank leeg.**
- Sproei geen bleekmiddel of waterstofperoxide.
- Sproei geen chemicaliën op basis van alcohol.
- Sproei geen poeders of schurende chemicaliën.
- Sproei geen bijtende (alkalische) of zelfverwarmende vloeistoffen.
- Gebruik geen milieugevaarlijke chemicaliën die niet zijn toegestaan zoals gedefinieerd door de lokale regelgeving.
- Richt de sproeikop niet in de richting van personen of huisdieren.
- Sta kinderen, personen met een gereduceerde fysieke, sensorische of mentale capaciteiten of een gebrek aan ervaring en kennis of mensen die niet op de hoogte zijn van deze instructies, het gebruik van deze machine nooit toe.
- De bediener of gebruiker is verantwoordelijk voor ongevallen of gevaren die zich bij ander personen of hun eigendommen voordoen.
- De sproeier mag alleen worden gebruikt met gewasbeschermingsmiddelen die zijn goedgekeurd door de lokale/nationale regelgevende autoriteiten voor gewasbeschermingsmiddelen voor gebruik met rugsproeiers.
- **Risico op injectie.** Niet direct tegen de huid afvoeren. Houd alle lichaamsdelen uit de buurt van het sproeipatroon.
- **Laat geen residu of sproeimateriaal achter in de tank na gebruik van de sproeier.** Reinig na elk gebruik.
- **Gebruik een vloeistof met een vlammpunt hoger dan 60°C om het risico op brand of explosie te beperken.**
- Om het risico op een elektrische schok te beperken, dompel de sproeier niet onder in water of een andere vloeistof. Plaats of berg de sproeier niet op waar het in een badkuip of lavabo kan vallen.
- **Onderhoud dit product.** Inspecteer zowel de binnen- als buitenkant van de sproeier grondig

NL

en onderzoek de onderdelen voor elk gebruik. Controleer op een gebarsten en beschadigde tank, lekkages, verstopte sproeikoppen en ontbrekende of beschadigde onderdelen. Laat het product voor gebruik repareren als het beschadigd is. Veel ongevallen worden veroorzaakt door slecht onderhouden producten.

- **Zet de aan/uit-schakelaar in de stand Uit wanneer de sproeier niet in gebruik is en voor onderhoud of reiniging.**
- **Ontkoppel de accu van het apparaat voordat u de sproeier leegmaakt, reinigt of opbergt.** Dergelijke preventieve veiligheidsmaatregelen beperken het risico op onbedoeld starten.
- **Draag altijd oogbescherming met zijschermen of een veiligheidsbril.** Dit niet doen kan ertoe leiden dat vloeistof in uw ogen terecht komt, wat ernstig letsel kan veroorzaken.
- **Bescherm uw longen. Draag goedgekeurde beschermingsmiddelen, zoals een gezichtsmasker die speciaal is ontworpen om sprays uit te filteren, werkhandschoenen en andere geschikte beschermingsmiddelen.** Het opvolgen van deze waarschuwing beperkt het risico op ernstig persoonlijk letsel. Volg de veiligheidsinstructies en richtlijnen van de fabrikant van het chemisch middel die op het SDS-blad staan.
- **Chemische stoffen en dampen kunnen gevaarlijk zijn en ernstig letsel, blijvende schade of de dood veroorzaken bij inslikken, inademen of gespetter in de ogen of op de huid.** Volg de veiligheidsinstructies en richtlijnen van de fabrikant van het chemisch middel die op het SDS-blad staan.
- **Om het risico op letsel te beperken, houd toezicht als het product in de buurt van kinderen wordt gebruikt.**
- **Raak de bewegende delen niet aan.**
- **Gebruik alleen toebehoor dat door de fabrikant van het product is aanbevolen of wordt verkocht.**
- **Vermijd dat de machine per ongeluk wordt gestart. Zorg ervoor dat de schakelaar is ingesteld op de stand Uit voordat u het toestel op het accupack aansluit, vastneemt of draagt.** Het dragen van het toestel met uw vinger op de schakelaar of het toestel aangesloten op de stroomvoorziening kan ongevallen veroorzaken.

BEWAAR DEZE GEBRUIKSAANWIJZING

SPECIFICATIES

Nominale spanning	56 V
Max. Inhoud van tank	15 L
Max. Bedrijfsdruk	24 Bar
Max. Sproeidebiet (met verstelbare sproeikop, sproeimodus)	2,3 L/min
Inlaatfilter diameter	35 mm
Inlaatfilter maaswijdte	0,35 mm
Uitlaatfilter diameter	124 mm
Gewicht (drooggewicht, zonder accupack)	7,6 kg
Aanbevolen bedrijfstemperatuur	5°C - 40°C
Aanbevolen opbergtemperatuur	-20°C - 70°C
Aanbevolen oplaadtemperatuur	5°C - 40°C

NL

⚠ WAARSCHUWING: Voordat u een rugsproeier gebruikt, zorg ervoor dat het totale gewicht, inclusief de machine, vloeistof in de tank, en de gebruikte sproeikop en batterij, niet meer dan 25 kg bedraagt om letsel en verlies van balans te voorkomen.

- De opgegeven totale vibratiewaarde is gemeten volgens de standaard testmethode en kan worden gebruikt om het apparaat met een ander apparaat te vergelijken;
- De opgegeven totale vibratiewaarde kan tevens worden gebruikt in een voorafgaande beoordeling op blootstelling.

OPMERKING: De trillingsemissie tijdens het werkelijk gebruik van het elektrisch gereedschap kan verschillen van de opgegeven totale waarde; Om de gebruiker te beschermen dient de gebruiker tijdens het gebruik handschoenen en gehoorbescherming te dragen.

VERPAKKINGSLIJST (AFB. A1)

BESCHRIJVING

KEN UW SPROEIER (AFB. A1)

1. Slang
2. Accuvak
3. Tank
4. Tankdop
5. Draaggreep
6. Instelbaar ondersteunend harnas
7. Snelheidsregelaar
8. Vergrendelingshendel
9. AAN/UIT-trekker
10. Bedieningsgreep
11. Einddop
12. Sproeilans
13. Verstelbare sproeikop
14. Vlakstraalsproeikop
15. Schuimsproeikop
16. Douchesproeikop

MONTAGE

⚠ WAARSCHUWING: Als er onderdelen beschadigd zijn of ontbreken, gebruik dit product niet totdat alle onderdelen vervangen of aanwezig zijn. Dit product gebruiken met beschadigde of ontbrekende onderdelen kan ernstig persoonlijk letsel veroorzaken.

⚠ WAARSCHUWING: Probeer niet om dit product aan te passen of accessoires te maken die niet voor gebruik met dit product zijn aanbevolen. Een dergelijke aanpassing of wijziging is misbruik en kan leiden tot gevaar en een ernstig persoonlijk letsel.

⚠ WAARSCHUWING: Om het per ongeluk starten van het product, wat persoonlijk letsel kan veroorzaken, te voorkomen, dient u altijd het accupack uit het product te halen als u onderdelen monteert, instellingen uitvoert, het reinigt of als het niet in gebruik is.

- Dit product dient in elkaar te worden gezet.
- Haal het product en alle toebehoren voorzichtig uit de verpakking. Controleer of alle onderdelen die in de “verpakkingslijst” zijn vermeld effectief geleverd zijn.
- Controleer het product zorgvuldig op mogelijke beschadiging die zich tijdens het transport hebben voorgedaan.
- Gooi het verpakkingsmateriaal pas weg wanneer u het product grondig hebt gecontroleerd en naar genoegen hebt gebruikt.

- Als er onderdelen beschadigd zijn of ontbreken, breng het product terug naar de plaats van aankoop.

DE SPROEILANS AANSLUITEN OP DE BEDIENINGSGREEP

1. Schroef de einddop van de sproeilans op de bedieningsgreep en draai deze stevig met de klok mee vast (Afb. B).
2. Trek aan de sproeilans om te controleren of deze goed vastzit.

WERKING

⚠ WAARSCHUWING: Vertrouwdheid kan leiden tot onvoorzichtigheid. Opgelet, één seconde van onoplettendheid kan ernstig letsel teweegbrengen.

⚠ WAARSCHUWING: Gebruik beschermingsuitrusting. Bescherm uw ogen, huid en longen tijdens het mengen, vullen, sproeien en schoonmaken. Dit niet doen kan leiden tot ernstig persoonlijk letsel en schade aan eigendommen.

⚠ WAARSCHUWING: Om ernstig persoonlijk letsel te voorkomen, haal het accupack uit het apparaat voor onderhoud, reiniging, vervangen van accessoires, en het vullen of legen van de tank.

⚠ WAARSCHUWING: Gebruik geen opzetstukken of toebehoren die niet door de fabrikant van dit product zijn aanbevolen. Het gebruik van niet aanbevolen opzetstukken of accessoires kan leiden tot ernstig persoonlijk letsel.

Voor elk gebruik dient u het complete product op beschadigingen, ontbrekende of loszittende onderdelen zoals schroeven, moeren, bouten, doppen, etc. te controleren. Draai alle bevestigingen goed vast en gebruik dit product niet totdat alle missende of beschadigde onderdelen zijn vervangen.

BEOOGD GEBRUIK

U kunt dit product gebruiken voor onderstaand vermelde doeleinden:

- Toedienen van meststoffen en planten water geven.
- Sproeien van herbiciden, pesticiden en fungiciden.

OPMERKING: Het product is alleen ontworpen voor gebruik in de tuinbouw en landbouw.

OPMERKING: Het product mag alleen worden gebruikt voor de voorgeschreven doeleinden. Elk ander gebruik wordt beschouwd als misbruik.

⚠ WAARSCHUWING: Verkeerde aanbrenging van chemicaliën of oplossingen kan leiden tot ERNSTIG LETSEL of DE DOOD. Volg de veiligheidsinstructies en richtlijnen van de fabrikant van het chemisch middel die op het SDS-blad staan.

DE TANK VULLEN (Afb. C)

⚠ WAARSCHUWING: Volg altijd de instructies van de fabrikant van het chemisch middel die op hun productetiket staan voor gebruik, reiniging en opslag. Meng geen chemische middelen. Reinig de tank grondig na elk gebruik, volgens de instructies in de sectie “ONDERHOUD” van deze handleiding. Chemicaliën moeten buiten het bereik van kinderen worden bewaard. Dit niet doen kan leiden tot ernstig persoonlijk letsel.

⚠ WAARSCHUWING: Om letsel en evenwichtsverlies te voorkomen, zorg ervoor dat de hoeveelheid vloeistof die aan de tank wordt toegevoegd het totale gewicht van de spuit, inclusief de machine, vloeistof in de tank, en de gebruikte sproeier op en accu, niet meer dan 25 kg bedraagt.

Vloeibare chemicaliën die gespreid moeten worden moeten zo dun zijn als water. Dikkere vloeistoffen zullen niet goed worden gespreid. Vul de tank niet te veel.

1. Verwijder het accupack.
2. Draai de tankdop tegen de klok in los en verwijder deze van de tank.
3. Plaats de sproeier op een vlakke ondergrond.
4. Vul de tank met de gewenste hoeveelheid water.
5. Meet de aanbevolen hoeveelheid vloeibare chemische stof.
6. Giet de vloeibare chemische stof voorzichtig in de tank.
7. Schroef de tankdop terug op de sproeier en zorg ervoor dat deze stevig vastzit.

Sproei-oplossingen kunnen vooraf worden gemengd en in de sproeier worden gegoten.

OPMERKING: Als u een maatbeker gebruikt om de vloeistof vast te houden, reinig en spoel de beker grondig na gebruik. Als u de sproei-oplossing op voorhand mengt, spoel de container die voor het mengen is gebruikt.

OPMERKING: Het is belangrijk om de sproeier na elk gebruik grondig te reinigen. Als u de vloeistof gedurende langere tijd in een niet gebruikte sproeier achterlaat, kunnen de bewegende delen en verbindingstukken vastlopen.

HET ACCUPACK INSTALLEREN/VERWIJDEREN

Gebruik alleen met de in Afb. A2 vermelde accupacks en opladers van EGO.

Raadpleeg de handleidingen van de bijbehorende accupacks en opladers voor meer informatie.

Voor ingebruikname volledig opladen.

1. Til de afdekking van het batterijvak op door de voorkant van de afdekking op te tillen (Afb. D1).
2. **Breng voor de bevestiging** de ribbels van de accu in een lijn met de montagesleuven en druk het accupack naar beneden totdat u “klik” hoort. (Afb. D1)
3. **Om los te maken**, druk de accu-ontgrendelingsknop naar beneden en trek het accupack eruit (Afb. D2).
4. Sluit het deksel van het batterijvak.

⚠ WAARSCHUWING: Houd altijd uw voeten, kinderen of huisdieren die zich in de buurt bevinden in het oog wanneer u op de accuvrijgaveknop drukt. Ernstig letsel kan zich voordoen wanneer het accupack valt. Haal het accupack NOOIT uit het apparaat wanneer u zich in een hoge positie bevindt.

⚠ WAARSCHUWING: Zorg ervoor dat de vergrendeling van de sproeier op zijn plaats klikt, het accupack aan de sproeier is bevestigd en het accudeksel volledig dicht is voordat u het apparaat gebruikt. Als het accupack niet goed is bevestigd, kan het accupack eruit vallen, met ernstig persoonlijk letsel tot gevolg.

⚠ WAARSCHUWING: Om ernstig persoonlijk letsel te voorkomen, verwijder altijd het accupack en houd uw handen buiten het bereik van de bedieningshendel tijdens het dragen of transporteren van de sproeier.

DE RUGSPROEIER POSITIONEREN

⚠ WAARSCHUWING: Draag gepaste kleding om het risico op letsel tijdens gebruik van dit apparaat te beperken. Draag geen los hangende kleding of sieraden. Draag oogbescherming. Draag een stevige lange broek, laarzen en handschoenen. Draag geen korte broek, sandalen of ga niet blootsvoets.

Voordat u de rugsproeier gebruikt, zorg ervoor dat de bediener oogbescherming en geschikte kleding draagt en een veilige en stabiele houding kan behouden.

Het draagharnas instellen

1. Steek uw armen door de rugzakriemen om de sproeier op uw rug te positioneren.
2. Pas tijdelijk beide schouderriemen aan zodat ze comfortabel zitten (Afb. E1). Zorg ervoor dat uw

ellebogen prettig zitten.

- Klik de borstgesp vast en stel de lengte van de borstriem indien nodig in (Afb. E2).
- Klik de heupgesp vast en pas de lengte van de heupband zo aan dat de rugzak stevig door uw heupen wordt ondersteund (Afb. E3 & E4).

OPMERKING: De rugzak mag niet te hoog op uw rug zitten; hij dient dichterbij de heupen dan bij de schouders te zitten.

NL

⚠ WAARSCHUWING: Maak in geval van nood de borst- en heupgesp onmiddellijk los om de rugzakriem aan weerskanten af te doen. Dit is een snelle vrijgavemethode.

- Stel de schouderriemen opnieuw in voor uw veiligheid en comfort. Zorg ervoor, dat de rugzak veilig op uw rug zit, waarbij het gewicht wordt ondersteund door de heupriem en zonder te veel te bewegen als u beweegt (Afb. E5).
- Mocht er nog een stuk riem over zijn rond de heup, kunt u deze tussen het elastiek aan één van beide zijden steken (Afb. E6).
- Om de rugsproeier los te maken van uw rug, druk op de heup- en borstgespen om deze los te maken en laat de sproeier zakken (Afb. E7).

DE SPROEIER STARTEN/STOPPEN (AFB. F)

Snelheidsregelaar

- Om het debiet te verhogen, draai de snelheidsregelaar met de klok mee.

F-1	Snelheidsregelaar	F-3	AAN/UIT-trekker
F-2	Vergrendelingshendel		

- Om het debiet te verlagen, draai de snelheidsregelaar tegen de klok in.
- De sproeier stopt als u de knop naar de stand "OFF" (uit) blijft draaien.

⚠ WAARSCHUWING: Om onbedoeld starten te voorkomen, draai de snelheidsregelaar naar de stand 'off' (rode stip op de regelaar wijst naar de sproeilans).

⚠ WAARSCHUWING: Voordat u de machine opbergt, deze langere tijd niet zult gebruiken of tijdens het vervangen van het accupack, zet de snelheidsregelaar altijd op de stand Off (uit) (rode stip op de knop wijst naar de sproeilans).

AAN/UIT-trekker

- Druk de AAN/UIT-trekker in om de sproeier in te schakelen.
- Om de stroom te stoppen, laat de trekker los.

Vergrendelingshendel

De vergrendelingshendel is handig bij langdurig spuiten of voor het bestrijken van een groot gebied.

- Druk na het indrukken van de trekker op de vergrendelingshendel om de AAN/UIT-trekker te vergrendelen.
- Trek aan de vergrendelingshendel om de AAN/UIT-trekker te ontgrendelen.

OPMERKING: Zorg ervoor dat de trekker niet vergrendeld is voordat u het accupack in de sproeier plaatst.

DE SPROEIKOPPEN AANPASSEN EN VERVANGEN

⚠ WAARSCHUWING: Om ernstig persoonlijk letsel te voorkomen, verwijder de accu voordat u de sproeikoppen aanpast of vervangt.

De sproeier wordt geleverd met vier sproeikoppen: Verstelbare sproeikop, vlakstraalsproeikop, douchesproeikop en schuimsproeikop. Vervang de sproeikop voordat u begint te werken naargelang de uit te voeren werkzaamheid.

Verstelbare sproeikop (Afb. G1): Plaatselijk sproeien van bloembedden, looppaden, opritten, terrassen en rondom bomen en struiken. Randen langs hekken, opritten en looppaden. Verwijderen van struikgewas.

Vlakstraalsproeikop (Afb. G3): Vlak sproeien voor een zeer brede dekking en voor vloeistoffen met een hogere viscositeit. Grote oppervlakken voorbereiden voor beplanting.

G-1	Vlakstraalsproeikop	G-3	Schuimsproeikop
G-2	Douchesproeikop		

Douchesproeikop (Afb. G3): Geeft een hogere waterstroom voor het bewateren en behandelen van planten.

Schuimsproeikop (Afb. G3): Markeert zichtbaar behandeld onkruid. Plaatselijk sproeien van onkruid in gazon, rondom bloembedden, bomen en struiken. Randen langs hekken, opritten en looppaden.

De verstelbare sproeikop kan worden ingesteld tussen straal en sproeier (Afb. G1).

- Draai het gekartelde (getextureerde) deel van de sproeikop tegen de klok in voor straal.

2. Draai het gekartelde (getextureerde) deel van het sproeikop met de klok mee voor sproeier.

Draai de hele sproeikop tegen de klok in los om de sproeikop te verwijderen en te vervangen (Afb. G2).

Debiet van de verschillende sproeikoppen die met de sproeier zijn meegeleverd:

	Nominaal debiet (L/min)	Maximale bedrijfsdruk (L/min)	Optimale bedrijfsdruk (L/min)
Verstelbare sproeikop	2,3	2,7	2,4
Vlakstraalsproeikop	2,3	2,7	2,4
Douchesproeikop	2,3	2,9	2,7
Schuimsproeikop	2,3	2,7	2,4

SPROEIEN VAN HUISHOUDELIJKE EN TUINCHEMICALIËN (Afb. H)

⚠ WAARSCHUWING: Richt de sproeikop van de lans nooit op uzelf of andere personen.

⚠ WAARSCHUWING: Rook, eet of drink nooit terwijl u de sproeier gebruikt.

⚠ WAARSCHUWING: Sproei nooit in de richting van mensen of dieren; sproei altijd met de wind mee.

⚠ WAARSCHUWING: Gevaar voor brand of explosie. Het sproeigebied moet goed geventileerd zijn en zich uit de buurt van vonken of vlammen bevinden.

1. Installeer het accupack.
2. Draai aan de snelheidsregelaar om het gewenste debiet in te stellen.
3. Richt de sproeikop direct op de planten of objecten die u wilt besproeien.

OPMERKING: Zorg ervoor dat u ver genoeg van het te besproeien object staat om te voorkomen dat de spray op u terug spat.

4. Druk op de trekker om de sproeier te starten.
5. Om de sproeier te stoppen, laat de trekker los.
6. Leeg en reinig de tank altijd na elk gebruik zoals aangegeven in de sectie "ONDERHOUD".

GEBRUIKSTIPS

- Verstel de schouderbanden van het harnas, zodat de sproeier boven uw middel zit en de tank dicht tegen uw rug aanzit.
- Sproei niet op winderige dagen. De spray kan per ongeluk worden geblazen op planten of objecten die niet mogen worden besproeid.
- Sproei in de vroege ochtend of late namiddag, vooral bij warmer weer. Overmatige warmte kan de spray verdampen voordat deze bezinkt.

NL

ONDERHOUD

⚠ WAARSCHUWING: Gebruik voor reparaties uitsluitend identieke reserve-onderdelen. Het gebruik van andere onderdelen kan gevaar opleveren of schade aan het product veroorzaken. Laat alle reparaties uitvoeren door een vakbekwame reparateur om een continue veiligheid en betrouwbaarheid te waarborgen.

⚠ WAARSCHUWING: Om ernstig persoonlijk letsel te voorkomen, verwijder de accu uit de sproeier voordat u deze onderhoudt, schoonmaakt, de sproeikoppen vervangt, onderhoud uitvoert of wanneer de sproeier niet wordt gebruikt. Een door een accu aangedreven sproeier met de accu geplaatst is altijd ingeschakeld en kan per ongeluk starten.

ALGEMEEN ONDERHOUD

Al het onderhoud aan de sproeier, behalve het onderhoud dat in de gebruiksaanwijzing wordt genoemd, dient door een gekwalificeerde onderhoudstechnicus te worden uitgevoerd.

REINIGING

Maak de kunststof onderdelen niet schoon met oplosmiddelen. De meeste kunststoffen kunnen worden beschadigd wanneer ze in contact komen met commerciële oplosmiddelen. Gebruik een schone doek voor het verwijderen van vuil, stof, olie, vet, etc.

⚠ WAARSCHUWING: Zorg dat remvloeistoffen, benzine, producten op basis van aardolie, oliën, etc. op geen enkel moment in aanraking komen met de kunststof onderdelen. Chemicaliën kunnen de kunststof onderdelen beschadigen, verzwakken of vernietigen en ernstig persoonlijk letsel veroorzaken.

⚠ WAARSCHUWING: Als u de sproeier reinigt, dompel deze dan NIET in water of een andere vloeistof.

⚠ WAARSCHUWING: Berg chemicaliën altijd op

en voer ze op de juiste manier af. Het verwijderen van verontreinigd spelwater moet worden uitgevoerd volgens de plaatselijke verordeningen en regels.

- Als er na het sproeien nog vloeistof in de tank zit, laat de tank leeglopen voordat u start met schoonmaken.
- Gebruik altijd alleen een zachte, droge doek om de buitenkant van de tank schoon te maken; gebruik nooit een schoonmaakmiddel of alcohol.
- Vul de tank voor ongeveer een derde met schoon water. Sproei totdat de tank leeg is. Zorg ervoor dat u de spray richt op een gebied dat niet beschadigd raakt door de sproei-oplossing.
- Vul de tank opnieuw en herhaal de procedure met schoon water. Het kan nodig zijn de tank meerdere keren te spoelen, laat de tank vervolgens opnieuw leeglopen zoals hierboven beschreven.
- Laat alle onderdelen volledig drogen voordat u het apparaat weer in elkaar zet en opbergt.

DE SPROEIKOPPEN ONDERHOUDEN

⚠ WAARSCHUWING: Zorg ervoor dat al het onderhoud aan de sproeikop goed wordt uitgevoerd om waterlekage te voorkomen. Lekkage kan resulteren in een glad oppervlak, waardoor gevaar voor uitglijden en vallen ontstaat of materiële schade wordt veroorzaakt.

Onregelmatige sproeipatronen of lekkage kunnen het gevolg zijn van een verstopte of vuile sproeikop.

1. Zet de sproeier uit en verwijder het accupack.
2. **De verstelbare sproeikop reinigen (Afb. I1):**
 - a. Draai het gekartelde (geweven) deel van de verstelbare sproeikop los en verwijder het.
 - b. Duw een dunne draad (niet inbegrepen) door de kruisgaten om vuil te verwijderen. Spoel indien nodig de kruisgaten en sproeikop met schoon water.
 - c. Veeg de sproeikop schoon met een schone, droge doek en plaats de sproeikop terug.
3. **De vlakstraalsproeikop reinigen (Afb. I2):**
 - a. Draai de sproeikop los en verwijder deze van de sproeilans.
 - b. Duw een dunne draad (niet inbegrepen) door het gat om vuil te verwijderen. Spoel indien nodig de sproeikop met schoon water.
 - c. Veeg de sproeikop schoon met een schone, droge doek en plaats de sproeikop terug.

TRANSPORT EN OPSLAG (Afb. J)

- Verwijder het accupack.
- Draai de snelheidsregelaar naar de stand 'off' (rode stip op de regelaar wijst naar de sproeilans).
- Reinig de sproeier grondig.
- Maak de tank, slang en sproeilans leeg.

OPMERKING: Voordat u de sproeier opbergt, vooral voor winteropslag, moet u ervoor zorgen dat de tank, slang en sproeilans leeg zijn om bevrozing en schade aan de machine te voorkomen, wat ervoor zorgt dat de sproeier na de winter niet meer werkt..

- Bevestig de sproeilans in de basis en de opslagclip.

J-1	Opbergclip	J-3	Draaggreep
J-2	Basis		

- Til de sproeier op aan de draaggreep of draag deze met behulp van de draagriem tijdens het transport.
- Berg de sproeier binnenshuis op in een goed geventileerde ruimte.
- Houd uit de buurt van corrosieve middelen, zoals tuinchemicaliën en strooizout.

Het milieu beschermen



Gooi geen elektrische apparatuur, gebruikte accu's en laders weg via het huishoudelijk afval!

Geef dit product af bij een geautoriseerd recyclingbedrijf en zorg dat het apart kan worden ingezameld. Elektrisch gereedschap moet naar een gepast inzamelpunt worden gebracht voor een milieuvriendelijke recycling.

PROBLEEMOPLOSSING

PROBLEEM	OORZAAK	OPLOSSING
De sproeier start niet.	<ul style="list-style-type: none"> ■ Het accupack is niet volledig in het accuvak aangebracht. ■ Er is geen elektrisch contact tussen de sproeier en het accupack. ■ Het accupack is leeg. ■ Het accupack of de sproeier is te heet. 	<ul style="list-style-type: none"> ■ Controleer of het accupack volledig in het accuvak is aangebracht. ■ Verwijder het accupack, controleer de contacten en installeer het accupack weer. ■ Laad het accupack op. ■ Zet de sproeier uit en laat het accupack of de sproeier afkoelen totdat de temperatuur is afgenomen tot het aanbevolen bedrijfstemperatuurbereik.
De motor draait, maar er komt geen spray uit de sproeikop.	<ul style="list-style-type: none"> ■ Laag vloeistofniveau in de tank. ■ De sproeikop is tijdens het gebruik verstopt geraakt. 	<ul style="list-style-type: none"> ■ Controleer of er voldoende vloeistof in de tank zit. ■ Maak de sproeikop(pen) schoon volgens het hoofdstuk "DE SPROEIKOPPEN ONDERHOUDEN" en monteer opnieuw zoals aangegeven.
Vloeistof lekt tussen de bedieningsgreep en de lans.	<ul style="list-style-type: none"> ■ De einddop van de lans zit los. 	<ul style="list-style-type: none"> ■ Draai de einddop stevig vast.
Vloeistof lekt tussen de sproeilans en de sproeikop.	<ul style="list-style-type: none"> ■ De spuitmond is los of verkeerd geïnstalleerd. 	<ul style="list-style-type: none"> ■ Installeer de spuitmond correct en stevig volgens het hoofdstuk "DE SPROEIKOPPEN AANPASSEN EN VERVANGEN".

NL

GARANTIE

EGO-GARANTIEBELEID

Ga naar de website egopowerplus.eu voor de volledige algemene voorwaarden van het EGO-garantiebeleid.

LÆS ALLE ANVISNINGER!**LÆS BRUGERVEJLEDNINGEN**

⚠ ADVARSEL: For at sikre sikkerhed og pålidelighed, bør alle reparationer udføres af en kvalificeret servicetekniker.

⚠ ADVARSEL: Sørg for at læse og forstå alle sikkerhedsanvisninger i denne brugsanvisning, herunder alle sikkerhedssymboler, såsom "FARE", "ADVARSEL" og "FORSIGTIG", før du bruger dette værktøj. Hvis anvisningerne nedenfor ikke følges, kan det føre til elektrisk stød, brand og/eller alvorlig personskade.

DK**GEM ALLE ADVARSLER OG INSTRUKTIONER TIL FREMTIDIG REFERENCE.****SIKKERHEDSSYMBOLER**

⚠ ADVARSEL: Når elværktøjer bruges, er der altid en risiko for at genstande slynges ind i øjnene, som kan føre til alvorlige øjenskader. Inden du begynder elværktøj drift, altid bære beskyttelsesbriller eller sikkerhedsbriller med side skjolde og en fuld ansigtsskærm når det er nødvendigt. Vi anbefaler en Wide Vision Safety Maske til brug over briller eller standard sikkerhedsbriller med sideskærme.



Sikkerhedsadvarsel



For at reducere risikoen for skader, skal brugeren læse og forstå brugsanvisningen, før dette produkt tages i brug.



Brug beskyttelsesbeklædning.



Hold nærstående personer på afstand, når du sprøjter.



Brug en ansigtsskærm.



Dette produkt er i overensstemmelse med gældende EU-direktiver.



Garanteret lydniveau. Støjemission til miljøet opfylder EF-direktivet.



Dette produkt er i overensstemmelse med lovgivningen i Storbritannien.



Elektriske affaldsprodukter må ikke bortskaffes sammen med husholdningsaffald. Tag det til en godkendt genbrugsplads.

IPX4

Beskyttelse mod vandsprøjt



Jævnstrøm (DC)

./min

Per minut

V

Spænding

n₀

Hastighed uden belastning

mm

Millimeter

GENERELLE SIKKERHEDSADVARSLER

⚠ ADVARSEL: Læs alle sikkerhedsadvarsler, instruktioner, billeder og specifikationer, der følger med denne maskine. Hvis anvisningerne nedenfor ikke følges, kan det føre til elektrisk stød, brand og/eller alvorlig personskade.

Gem alle advarsler og instruktioner til fremtidig reference.

Udtrykket "maskine" i advarslerne henviser til din netdrevne (med ledning) maskine eller batteridrevne (ledningsfri) maskine.

SIKKERHED PÅ ARBEJDSPLADSEN

- **Sørg for, at arbejdsområdet er rent og godt belyst.** Et rodet eller mørkt område kan føre til ulykker.
- **Maskinen må ikke bruges i eksplosionsfarlig atmosfære, såsom i nærheden af brændbare væsker, gasser eller støv.** Maskinen danner gnister, der kan antænde støv eller dampe.
- **Hold børn og tilskuere på afstand, når en maskine er i brug.** Distractioner kan medføre, at du mister kontrollen.

SIKKERHED OMKRING ELEKTRICITET

- **Maskinens stik skal passe til stikkontakten. Stikket må på ingen måde ændres. Brug ikke adapterstik med jordforbundne maskiner.** Uændrede stik, der passer til stikkontakterne, nedsætter risikoen for elektrisk stød.
- **Undgå kropskontakt med jordforbundne overflader, såsom rør, radiatorer, komfurer og køleskabe.** Der er øget risiko for elektrisk stød, hvis din krop er jordforbundet.
- **Maskinen må ikke udsættes for regn eller våde forhold.** Hvis vand trænger ind i maskinen, forøges risikoen for elektrisk stød.
- **Ledningen må ikke mishandles. Brug aldrig ledningen til at bære eller trække maskinen, eller til at trække stikket ud. Hold ledningen væk fra varme, olie, skarpe kanter og bevægelige dele.** Beskadede eller sammenfildrede ledninger, øger risikoen for elektrisk stød.
- **Hvis maskinen bruges udendørs, skal der bruges en forlængerledning, der er egnet til udendørs brug.** Brug af en egnet ledning til udendørs brug, reducerer risikoen for elektrisk stød.
- **Hvis det ikke kan undgås at bruge maskinen i fugtige omgivelser, skal der bruges et stik med en fejlstrømsafbryder (RCD).** Anvendelse af et

fejlstrømsrelæ mindsker risikoen for elektrisk stød.

PERSONLIG SIKKERHED

- **Vær forsigtig, hold øje med hvad du laver, og brug din sunde fornuft, når du bruger maskinen. Maskinen må ikke bruges, hvis du er træt eller er påvirket af narkotika, alkohol eller medicin.** Et øjeblikks uopmærksomhed under brugen af maskinen kan føre til alvorlige personskader.
- **Brug personligt beskyttelsesudstyr. Brug altid beskyttelsesbriller.** Værnemidler, såsom støvmaske, skridsikre sikkerhedssko, hjelm eller høreværn, der anvendes under passende betingelser, nedsætter risikoen for personskade.
- **Forhindre utilsigtet start. Sørg for, at tænd/sluk-knappen er slukket, inden maskinen sluttes til strømkilden eller batteripakken, samt inden den løftes op eller bæres rundt.** Undgå, at bære maskiner med fingeren på tænd/sluk-knappen eller strømforbundne maskiner, hvor tænd/sluk-knappen er tændt, da dette kan føre til ulykker.
- **Fjern indstillingsværktøj eller skruenøgler, før maskinen startes.** Hvis en skruenøgle eller en nøgle sidder i en drejende del på maskinen, kan den føre til personskader.
- **Undgå at række for langt frem. Sørg altid for at stå ordentligt fast og i god balance.** På denne måde får du bedre kontrol over maskinen i uventede situationer.
- **Brug passende tøj. Brug ikke løstsiddende tøj eller smykker. Hold hår og tøj fra bevægelige dele.** Løstsiddende tøj, smykker eller langt hår kan komme i klemme i bevægelige dele.
- **Hvis der monteres tilbehør til opsamling af støv eller andet, skal det sikres, at disse monteres og bruges korrekt.** Brug af støvindsamlingenheder, kan reducere støv-relaterede risici.
- **Selvom du ofte bruger og har et godt kendskab til maskinen, må du ikke være overmodig eller glemme sikkerhedsprincipperne.** En uagtsom handling kan forårsage alvorlig skade i en brøkdæl af et sekund.

BRUG OG PLEJE AF MASKINEN

- **Tving ikke maskinen. Brug den rigtige maskine til opgaven.** Den rigtige maskine gør arbejdet bedre og mere sikkert, da det er beregnet til formålet.
- **Maskinen må ikke bruges, hvis tænd/sluk-knappen ikke kan tænde og slukke.** En maskine, hvor tænd/sluk-knappen ikke dur, er farlig og skal repareres.
- **Træk stikket til maskinens strømforsyning ud af stikkontakten og/eller fjern batteripakken**

DK

hvis dette er muligt, inden du foretager justeringer, skifter tilbehør eller lægger maskinen til opbevaring. Sådanne forebyggende sikkerhedsforanstaltninger mindsker risikoen for, at maskinen startes ved et uheld.

- **Maskiner, der ikke bruges, skal holdes ude af børns rækkevidde. Lad ikke personer, der ikke er bekendt med maskinen eller disse instruktioner, bruge maskinen.** Maskinen er farligt i hænderne på brugere, der ikke ved, hvordan det skal bruges.
- **Vedligehold maskinen og tilbehøret. Kontrollér, at de bevægelige dele ikke er fejljusterede eller binder eller er i en tilstand, der kan påvirke maskinens drift. Hvis maskinen beskadiges, skal den repareres før brug.** Der sker mange ulykker på grund af dårligt vedligeholdte maskiner.
- **Hold skæreværktøj skarpe og rene.** Skæreværktøjer med skarpe kanter, der vedligeholdes ordentligt, er mindre tilbøjelige til at binde og er lettere at styre.
- **Maskinen, tilbehør og bits osv. skal bruges i overensstemmelse med disse instruktioner, hvor arbejdsforholdene og arbejdet, der skal udføres, skal tages i betragtning.** Maskinen må ikke bruges til andet end dens tiltænkte formål, da dette kan føre til en farlig situation.
- **Hold håndtag og gribeblader tørre, rene og fri for olie og fedt.** Glatte håndtag og glatte overflader, der holdes i, gør maskinen farligt at bruge i uventede situationer.

BRUG OG PLEJE AF DENNE BATTERIDREVNE MASKINE

- **Genoplad kun med opladeren er angivet af fabrikanten.** Hvis en oplader, der er egnet til én slags batteri, bruges med en anden slags batteri, kan det føre til brand.
- **Brug kun maskiner med særligt udpegede batteripakker.** Brug af andre batterier kan skabe risiko for personskade og brand.
- **Når batteripakken ikke er i brug, skal den holdes væk fra andre metalgenstande som papirclips, mønter, nøgler, søm, skruer eller andre små metalgenstande, der kan skabe forbindelse fra en pol til en anden.** Shorting batteripolerne sammen kan forårsage forbrændinger eller brand.
- **Ved forkert anvendelse kan der slippe væske ud af batteriet: Undgå kontakt.** Hvis det alligevel skulle ske, skal området skylles med vand. Hvis væsken kommer i øjnene, skal man søge læge. Væske fra batteriet kan forårsage irritation eller forbrændinger.
- **Brug ikke et batteri eller en maskine, der er**

beskadiget eller modificeret. Beskadigede eller modificerede batterier kan opføre sig uforudsigeligt og forårsage brand, eksplosion eller risiko for personskade.

- **Udsæt ikke et batteri eller en maskine for ild eller for høj temperatur.** Udsættelse for ild eller temperaturer over 130 °C kan forårsage eksplosion.
- **Følg alle anvisninger vedrørende opladning, og oplad ikke batteriet eller maskinen uden for temperaturområdet, der står i anvisningerne.** Forkert opladning eller temperaturer uden for det angivne område kan beskadige batteriet og øge risikoen for brand.

SERVICE

- **Få maskinen service af en kvalificeret tekniker, og brug kun originale reservedele.** Dette vil sikre, at maskinen fortsat er sikker at bruge.
- **Udfør aldrig selv service på beskadigede batterier.** Service på batterier må kun udføres af producenten eller godkendte servicecentre.

SIKKERHEDSINSTRUKTIONER TIL DENNE BATTERIDREVNE SPRØJTE

⚠ FARE: Fare for brand eller eksplosion. Sprøjten må ikke bruges med brændbare væsker som benzin.

⚠ ADVARSEL:

- **Brug altid øje-, åndedræts- og hudbeskyttelse for at undgå skader.**
- **For at mindske risikoen for elektrisk stød, må produktet ikke udsættes for regn.**
- **Produktet er kun beregnet til husholdnings- og udendørs brug.**
- **Sprøjt ikke med brændbare eller brændbare væsker i et begrænset område.** Hvis du sprøjter med en brændbar væske, er der fare for brand eller eksplosion, især i et begrænset område.
- **Sprøjteområdet skal være godt ventileret.**
- **Du må ikke ryge, når du sprøjter, og du må ikke sprøjte på steder, hvor der findes gnister eller ild.**
- **Batteripakken skal altid tages ud, før beholderen fyldes op. Tør eventuelt spild af, før du sætter batteripakken i.** Når du følger denne regel, reduceres risikoen for elektrisk stød og for at korrosive væsker trænger ind i batteripakken, da dette kan kortslutte batteriet, hvilket kan føre til røg, brand og/eller alvorlige personskader.

- **Undgå, at ledende eller ætsende væsker kommer ind i batteripakken.** Hvis der spildes ledende eller ætsende væsker på batteripakken, skal du se instruktionerne i brugervejledningen til batteripakken.
- **Før du bruger nogen sprøjtemidler i denne sprøjte, skal du læse oplysninger på sprøjtemidlets beholder grundigt og følge alle vejledningerne.** Nogle sprøjtemidler er farlige og må ikke bruges i denne sprøjte, da de kan beskadige sprøjten og forårsage alvorlige personskader eller ejendomsskader.
- **Kend indholdet af det kemikalie, du sprøjter med. Læs alle sikkerhedsdatabladene (SDS) til kemikaliet og oplysningerne på kemikaliet beholder.** Følg kemikalieproducentens sikkerhedsinstruktioner.
- **Fare for elektrisk stød.** Du må aldrig sprøjte mod stikkontakter.
- **Der må ikke hældes varme eller kogende væsker i beholderen.** Disse kan slide eller beskadige rørene og beholderen.
- **Undgå, at bruge sprøjten på blæsende dage.** Væsken, du sprøjter med, kan ved et uheld blæses på planter eller genstande, der ikke må sprøjtes.
- **Sprøjten skal opbevares et sikkert og ordentligt ventileret sted indendørs og væskebeholderen skal være tom.**
- **Sprøjt ikke med blegemidler eller hydrogenperoxid.**
- **Sprøjt ikke med alkoholbaserede kemikalier.**
- **Sprøjt ikke med pulvere eller slibende kemikalier.**
- **Sprøjt ikke med kaustiske (alkali) eller selvopvarmende væsker.**
- **Brug ikke miljøfarlige kemikalier, der ikke er tilladt i henhold til de lokale regler.**
- **Sprøjten må ikke rettes mod personer eller kæledyr.**
- **Lad aldrig børn, personer med nedsatte fysiske, sensoriske eller mentale evner eller manglende erfaring og viden, eller folk der ikke kender disse instruktioner bruge apparatet.**
- **Brugeren er ansvarlig for eventuelle ulykker eller farer for andre personer eller deres ejendom.**
- **Sprøjten må kun bruges med plantebeskyttelsesmidler, der er godkendt af lokale/nationale tilsynsmyndigheder.**
- **Risiko for indtagelse.** Undgå, at sprøjte direkte mod huden. Hold alle kroppsdele uden for sprøjtemønsteret.
- **Efterlad ikke rester eller sprøjtemidler i beholder, når du er færdig med at bruge sprøjten.** Rengør produktet efter hver brug.
- **For at reducere risikoen for brand eller eksplosion, skal du bruge en væske med et flammepunkt over 60° C.**
- **For at mindske risikoen for elektrisk stød, må sprøjten ikke puttes i vand eller anden væske. Sprøjten må ikke stilles eller opbevares på steder, hvor det kan vælge eller trækkes ned i en balje eller vask.**
- **Vedligehold dette produkt. Se sprøjten grundigt efter, både indvendigt og udvendigt og alle dens dele, før den tages i brug. Se, om beholderen har revner og er slidt, se efter for lækager, tilstoppede dyser og manglende eller beskadigede dele. Hvis produktet beskadiges, skal det repareres inden brug.** Mange ulykker skyldes dårligt vedligeholdt produkter.
- **Sluk tænd/sluk-knappen, når sprøjten ikke er i brug, og før servicering og rengøring.**
- **Afbryd batteriet fra sprøjten, før den tømmes, rengøres og opbevares.** Sådanne forebyggende sikkerhedsforanstaltninger reducerer risikoen for, at produktet startes ved et uheld.
- **Brug altid øjenbeskyttelse med sideskærme eller beskyttelsesbriller.** Hvis du ikke gør dette, kan væsker komme ind i dine øjne, hvilket kan føre til alvorlige personskader.
- **Beskyt dine lunger. Brug godkendt sikkerhedsudstyr såsom ansigtsmasker, der er beregnet til at filtrere væsker, handsker og andet passende beskyttelsesudstyr.** Hvis denne regel følges, vil det mindske risikoen for alvorlig personskade. Følg kemikalieproducentens sikkerhedsinstruktioner og retningslinjerne, der står på SDS-arket.
- **Kemikalier og kemiske dampe kan være farlige og de kan være livsfarlige, eller føre til alvorlige personskader eller permanente skader, hvis de indtages, indåndes eller sprøjtes i øjnene eller på huden.** Følg kemikalieproducentens sikkerhedsinstruktioner og retningslinjerne, der står på SDS-arket.
- **For at reducere risikoen for skader, skal du være meget opmærksom, hvis sprøjten bruges i nærheden af børn.**
- **Undgå, at røre bevægende dele.**
- **Brug kun tilbehør anbefalet eller solgt af fabrikanten.**
- **Forhindre utilsigtet start. Sørg for, at tænd/sluk-knappen er slukket, inden batteriet sættes på, og**

inden apparatet løftes op eller bæres rundt. Hvis apparatet bæres med fingeren på kontakten, eller oplades med tænd/sluk-knappen tændt, øger det risikoen for ulykker.

GEM DISSE VEJLEDNINGER

SPECIFIKATIONER

Nominal spænding	56 V 
Maks. Beholderens kapacitet	15L
Maks. Arbejdstryk	24 Bar
Maks. Sprøjtehastighed (med justerbar dyse, sprøjtefunktion)	2,3 L/min
Diameter må indløbsfilter	35 mm
Størrelse på indløbsfilter	0,35 mm
Diameter på udløbsfilter	124 mm
Vægt (tørvægt, uden batteripakke)	7,6 kg
Anbefalet driftstemperatur	5°C-40°C
Anbefalet opbevaringstemperatur	-20°C-70°C
Anbefalet opladningstemperatur	5°C-40°C

⚠ ADVARSEL: Før du bruger en rygsæksprøjte, skal du sørge for at dens samlede vægt, herunder maskinen, væsken i beholderen, dysen og batteripakken, ikke vejer over 25 kg, så du undgår skader og ikke mister balancen.

- Den samlede erklærede vibrationsværdi er målt i overensstemmelse med en standard testmetode, og den kan bruges til at sammenligne et værktøj med et andet;
- Den samlede angivne vibrationsværdi kan også bruges ved en foreløbig vurdering af eksponeringen.

BEMÆRK: Vibrationsemissionen ved faktisk brug af elværktøjet kan afvige fra den angivne værdi, hvor værktøjet bruges. For at beskytte brugeren, skal brugeren bruge handsker og høreværn i de faktiske brugsforhold.

LISTE OVER DELE I PAKKEN (FIG. A1)

BESKRIVELSE

GØR DIG BEKENDT MED DIN SPRØJTE (FIG. A1)

1. Slange
2. Batterirum
3. Beholder
4. Beholderdæksel
5. Bærehåndtag
6. Justerbar bæresele
7. Hastighedsknap
8. Låsegreb
9. Tænd/sluk-aftrækker
10. Betjeningsgreb
11. Endedæksel
12. Sprøjtestang
13. Justerbar dyse
14. Ventilator-dyse
15. Skummende dyse
16. Bruserdyse

SAMLING

⚠ ADVARSEL: Hvis der er dele, der er beskadigede eller mangler, anvendes apparatet ikke, før delene er udskiftet. Brug af dette produkt med beskadigede eller manglende dele kan medføre alvorlig personskade.

⚠ ADVARSEL: Forsøg ikke at ændre dette produkt eller fremstille tilbehør, der ikke anbefales til brug med dette produkt. Enhver sådan ændring eller modifikation er misbrug og kan resultere i en farlig situation og føre til eventuel alvorlig personskade.

⚠ ADVARSEL: For at forebygge utilsigtet start, der kunne forårsage alvorlig personskade, skal man altid fjerne batteripakken fra produktet, når der monteres dele, foretages justeringer, rengøres, eller når det ikke bruges.

- Dette produkt skal samles.
- Tag forsigtigt produktet og alt tilbehør ud af kassen. Sørg for at alle genstande, der står på "Liste over dele i pakken" følger med.
- Undersøg produktet omhyggeligt for at sikre, at der ikke er blevet beskadiget under forsendelse.
- Smid ikke emballagen ud, før produktet er blevet set

nøje efter og du ved det virker ordentligt.

- Hvis dele er beskadigede eller mangler, skal produktet returneres til købsstedet.

SÅDAN SÆTTES SPRØJTESTANGEN PÅ BETJENINGSHÅNDTAGET

1. Vikl sprøjtestangens endedæksel om betjeningshåndtaget, og spændt den ordentligt med uret (fig. B).
2. Træk i sprøjtestangen, så du er sikker på at den sidder ordentligt fast.

BETJENING

⚠ ADVARSEL: Lad ikke fortrolighed med dette produkt gøre dig skodesløs. Husk på, at det kan føre til alvorlige skader, hvis du ikke er opmærksom i blot et sekund.

⚠ ADVARSEL: Brug værnemidler. Beskyt dine øjne, hud og lunger, når du blander væsker, fylder væsker i beholder, sprøjter med væsker og rengør produktet. Hvis du ikke gør dette, kan det føre til alvorlige personskader og ejendomsskader.

⚠ ADVARSEL: For at undgå alvorlige personskader, skal batteripakken tages ud af apparatet før servicering, rengøring, udskiftning af tilbehør, påfyldning og tømning af beholderen.

⚠ ADVARSEL: Anvend ikke tilbehør eller påmonteringer, der ikke anbefales af fabrikanten af dette produkt. Brug af tilbehør eller påmonteringer, der ikke anbefales, kan forårsage alvorlig personskade.

For hver brug skal du undersøge hele produktet for skader, manglende eller løse dele, såsom skruer, møtrikker, bolte, hætter osv. Spænd omhyggeligt alle befæstelsesdele og hætter, og betjen ikke dette produkt, for alle manglende eller beskadigede dele er udskiftet.

ANVENDELSESFORMÅL

Du kan bruge dette produkt til de formål, der er nævnt nedenfor:

- Sprøjtning med gødning og vanding af planter.
- Sprøjtning med herbicider, pesticider og fungicider.

BEMÆRK: Produktet er kun beregnet til gartneri- og landbrug.

BEMÆRK: Produktet må kun bruges til dets tilsigtede formål. Enhver anden anvendelse anses for at være et tilfælde af misbrug.

⚠ ADVARSEL: Forkert brug af kemikalier eller opløsninger kan være LIVSFARLIGT eller føre til ALVORLIGE SKADER. Følg kemikalieproducentens sikkerhedsinstruktioner og retningslinjerne, der står på SDS-arket.

SÅDAN FYLDES BEHOLDEREN (FIG. C)

⚠ ADVARSEL: Følg altid vejledningerne til brug, rengøring og opbevaring fra kemikalieproducenten, der står på produktmærkningen. Undgå, at blande forskellige kemikalier. Rengør beholderen grundigt efter hver brug, som beskrevet i afsnittet "VEDLIGEHOLDELSE" i denne vejledning. Kemikalier skal opbevares uden for børns rækkevidde. Hvis dette ikke gøres, kan det føre til alvorlige personskader.

⚠ ADVARSEL: For at undgå personskader og får at du ikke skal miste balancen, skal du sørge for, at mængden af væske, der hældes i beholderen, ikke får sprøjstens samlede vægt, herunder maskinen, væsken i beholderen, dysen og batteripakken, til at veje over 25 kg.

Hvis du sprøjter med flydende kemikalie, skal det være lige så tyndt som vand. Tykkere væsker sprøjter ikke ordentligt. Beholderen må ikke fyldes for meget op.

1. Fjern batteripakken.
2. Skru beholderdækslet af mod uret og tag det af beholderen.
3. Stil sprøjten på en plan overflade.
4. Fyld beholderen med den ønskede mængde vand.
5. Mål den anbefalede mængde flydende kemikalie.
6. Hæld forsigtigt det flydende kemikalie i beholderen.
7. Skru dækslet på sprøjstens beholder, og sørg for at stramme den ordentligt.

Sprøjtemedlerne kan forblendes og hældes i sprøjten.

BEMÆRK: Hvis du bruger en målebeholder til at holde væsken, skal du sørge for at rengøre og skylle beholderen grundigt efter brug. Hvis sprøjtemedlet skal forblendes, skal du skylle beholderen, der bruges til at blande det i.

BEMÆRK: Det er vigtigt at rengøre sprøjten grundigt efter hver brug. Hvis du efterlader væske i sprøjten i længere tid, kan dens bevægelige dele og stik sætte sig fast.

PÅSÆTNING / AFTAGNING BATTERIPAKKEN

Produktet må kun bruges med EGO's batteripakker og opladere, der er anført i fig A2.

DK

Du kan finde flere oplysninger i de tilhørende batteripakker og opladervejledninger.

Lad batteriet helt op inden første brug.

1. Løft batterirummets dæksel, ved at løfte forsiden af dækslet (fig. D1).
2. **For at sætte batteriet i**, skal du sætte batteriets riller mod monteringsrillerne. Tryk derefter batteriet ned, indtil du hører et "klik" (fig. D1).
3. **For at tage batteriet ud**, skal du trykke på knappen til batteriudløseren, og træk batteripakken ud (fig. D2).
4. Luk dækslet til batterirummet.

⚠ ADVARSEL: Vær altid opmærksom på dine fødders placering og på børn eller kæledyr omkring dig, når du trykker på udløserknappen til batteriet. Der kan opstå alvorlig skade, hvis der opstår en fejl på batteriet. Fjern ALDRIG batteriet på et højt sted.

⚠ ADVARSEL: Sørg for, at låsen på sprøjten klikker på plads, batteripakken sidder ordentligt i sprøjten og batteridækslet er lukket helt, før du bruger sprøjten. Hvis batteripakken sættes forkert i, kan det falde ud, hvilket kan føre til alvorlige personskader.

⚠ ADVARSEL: For at undgå alvorlig personskader, skal du altid tage batteripakken ud og holde hænderne væk fra betjeningshåndtaget, når du løfter eller flytter sprøjten.

PLACERING AF RYGSÆKSPRØJTEN

⚠ ADVARSEL: Brug rigtig påklædning for at mindske risikoen for skader, når du bruger dette produkt. Undgå, at bære løstsiddende tøj eller smykker. Brug beskyttelsesbriller. Bær kraftige, lange bukser, støvler og handsker. Gå ikke i korte bukser, sandaler eller på bare fødder.

Før du bruger rygsæksprøjten, skal du tage øjenbeskyttelse og ordentligt tøj på, og sørg for at opretholde et sikkert og afbalanceret fodfæste.

Justering af bæreselen

1. Stik armene gennem rygsækstropperne, så sprøjten sidder på ryggen.
2. Indstil begge skulderstropper midlertidigt, så de sidder behageligt (fig. E1), og sørg for, at din albue kan bevæge sig frit.
3. Spænd brystspændet, og justér længden, hvis nødvendigt (fig. E2).
4. Spænd taljespændet, og justér længden, så "rygsækken" sidder ordentligt på dine hofter (fig. E3 og E4).

BEMÆRK: "Rygsækken" bør ikke sidde for højt oppe på ryggen; den skal placeres tættere på dine hofter end på dine skuldre.

⚠ ADVARSEL: I tilfælde af en nødsituation, skal du straks løsne bryst- og taljespænderne på hver side, og tage produktet af. Dette er en hurtig måde at løsne produktet på.

5. Justér skulderstropperne for sikkerhed og komfort. Sørg for, at rygsækken sidder sikkert fast på ryggen, med vægten støttet af taljeremmen, og uden at sidde for løst, når du bevæger dig (fig. E5).
6. Stik resten af stroppen omkring taljen ind i elastikken på begge sider (fig. E6).
7. For at tage rygsækken, skal du blot trykke på talje- og brystspænderne, så de løsnes hvorefter sprøjten kan sættes ned (fig. E7).

SÅDAN STARTES/STOPPES SPRØJTEN (FIG. F)

Hastighedsknap

1. For at skruе op for strømningshastigheden, skal du dreje hastighedsknappen med uret.

F-1	Hastighedsknap	F-3	Tænd/sluk-aftrækker
F-2	Låsegreb		

2. For at skruе ned for strømningshastigheden, skal du dreje hastighedsknappen mod uret.
3. Sprøjten stopper, når drejeknappen slukkes.

⚠ ADVARSEL: For at undgå, at starte produktet ved et uheld, skal du slukke hastighedsknappen (den røde prik på drejeknappen skal være ud for sprøjtestangen).

⚠ ADVARSEL: Hvis produktet skal gemmes væk, ikke bruges i længere tid eller hvis batteripakken skal skifte, skal du altid først slukke hastighedsknappen (den røde prik på drejeknappen skal være ud for sprøjtestangen).

Tænd/sluk-aftrækker

1. Tryk på tænd/sluk-aftrækkeren for at tænde sprøjten.
2. Slip aftrækkeren for at stoppe strømmen.

Låsegreb

Låsegrebet er praktisk, hvis du sprøjter i længere tid, eller hvis du skal sprøjte et stort område.

1. Tryk på låsehåndtaget, når du har trykket på aftrækkeren for at låse tænd/sluk-aftrækkeren.
2. Træk i låsehåndtaget for at løsne tænd/sluk-aftrækkeren.

BEMÆRK: Sørg for, at aftrækkeren ikke er låst, før du sætter batteripakken i sprøjten.

SÅDAN JUSTERES OG ÆNDRES DYSERNE

⚠ ADVARSEL: For at undgå alvorlige personskader, skal du tage batteripakken ud, før du justerer eller skifter dyserne.

Sprøjten leveres med fire dyser: Justerbar dyse, ventilatordyse, bruserdyse og skumdyse. Skift dysen, før du starter på arbejdet, så den passer til den aktuelle opgave.

Justerbar dyse (fig. G1): Til pletsprøjtning af blomsterbede, gangbroer, indkørsler, terrasser og omkring træer og buske. Til sprøjtning langs kanter, hegn, indkørsler og gangbroer. Til dræbning af buske.

Ventilatordyse (fig. G3): Giver et fladt sprøjtemønster, hvis du skal sprøjte et bredt område, eller sprøjte med væsker med højere viskositet. Til sprøjtning af store arealer til plantning.

G-1	Ventilatordyse	G-3	Skummende dyse
G-2	Bruserdyse		

Bruserdyse (fig. G3): Denne dyse sprøjter med en større vandstrøm, og er beregnet til vanding og behandling af planter.

Skummende dyse (fig. G3): Til tydelig markering af behandlet ukrudt. Til pletsprøjtning af ukrudt i græsplæne, omkring blomsterbede, træer og buske. Til sprøjtning af kanter langs hegn, indkørsler og gangbroer.

Den justerbare dyse kan justeres til at sprøtte med en tynd eller tyk stråle (fig. G1).

1. Drej den rillede del på dysen mod uret for at sprøjte med en tynd stråle.
2. Drej den rillede del på dysen med uret for at sprøjte med en bred stråle.

Skru hele dysen ud mod uret for at tage den af og skifte dysen (fig. G2).

Strømningshastigheden på de forskellige dyser, der følger med sprøjten:

	Nominal strømningshastighed (L/min)	Maksimalt driftstryk (L/min)	Optimalt driftstryk (L/min)
Justerbar dyse	2,3	2,7	2,4
Ventilatordyse	2,3	2,7	2,4
Bruserdyse	2,3	2,9	2,7
Skummende dyse	2,3	2,7	2,4

DK

SPRØJTNING MED KEMIKALIER TIL HJEMMET OG HAVEN (fig. H)

⚠ ADVARSEL: Ret aldrig stangens dyse mod dig selv eller andre personer.

⚠ ADVARSEL: Du må aldrig ryge, spise eller drikke, når du bruger sprøjten.

⚠ ADVARSEL: Sprøjt aldrig mod andre personer eller dyr. Sprøjt altid med vinden.

⚠ ADVARSEL: Fare for brand eller eksplosion. Sprøjteområdet skal være godt ventileret og væk fra gnistere og flammer.

1. Sæt batteripakken i.
2. Drej hastighedsknappen for at sætte den på den ønskede strømningshastighed.
3. Ret sprøjtedysen direkte mod planterne eller genstandene, der skal sprøjtes.

BEMÆRK: Sørg for at stå langt nok fra genstanden, der sprøjtes, så væsken ikke blæses tilbage på dig selv.

4. Tryk aftrækkeren ned, for at starte sprøjten.
5. Slip aftrækkeren, for at stoppe sprøjten.
6. Tøm og rengør altid beholderen efter hver brug, som beskrevet i afsnittet „VEDLIGEHOLDELSE“.

TIP TIL BETJENING

- Juster selens skulderstropper, så sprøjten sidder over din talje, og beholderen sidder tæt på ryggen.
- Undgå, at bruge sprøjten på blæsende dage. Væsken, du sprøjter med, kan ved et uheld blæses på planter eller genstande, der ikke må sprøjtes.

- Sprøjt tidligt om morgenen eller sent på eftermiddagen, især i varmt vejr. Hvis vejret er meget varmt, kan væsken fordampe, før den sætter sig.

VEDLIGEHOLDELSE

⚠ ADVARSEL: Ved service må der kun bruges originale reservedele. Brug af andre reservedele kan medføre fare eller forårsage skader på produktet. For at sikre sikkerhed og pålidelighed, bør alle reparationer udføres af en kvalificeret servicetekniker.

DK

⚠ ADVARSEL: For at undgå alvorlig personskader, skal du tage batteripakken ud af sprøjten før den servicering, rengøring, udskiftning af dyserne, udførelse af vedligeholdelse og når sprøjten ikke er i brug. En batteridrevet sprøjte med batteripakken i, er altid tændt og kan starte ved et uheld.

GENEREL VEDLIGEHOLDELSE

Al servicering af sprøjten, undtagen delene i disse vedligeholdelsesvejledninger, skal gøres af en autoriseret servicetekniker.

RENGØRING

Undgå, at bruge opløsningsmidler til rengøring af plastdele. De fleste plastmaterialer risikerer at blive ødelagt, ved brug af forskellige slags alment tilgængelige opløsningsmidler. Brug en ren klud til, at fjerne snavs, støv, olie, fedt, osv.

⚠ ADVARSEL: Lad aldrig bræmsevæske, benzin, oliebaseerede produkter, indtrængende olier osv. komme i kontakt med plastdele. Kemikalier kan beskadige, svække og ødelægge plastik, hvilket kan føre til alvorlige personskader.

⚠ ADVARSEL: Når sprøjten rengøres, må den IKKE nedsænkes i vand eller andre væsker.

⚠ ADVARSEL: Alle kemikalier skal opbevares og bortskaffes rigtigt. Forurenede skyllevand skal bortskaffes i henhold til lokale forordninger og regler.

- Hvis der er væske tilbage i beholderen, når du er færdig med at bruge sprøjten, skal du tømme beholderen, før den rengøres.
- Brug altid kun en blød, tør klud til at rengøre beholderens yderside. Brug aldrig vaskemiddel eller alkohol.
- Fyld beholderen cirka en tredjedel op med rent vand. Sprøjt, indtil beholderen er tom. Sørg for at rette sprøjten mod et område, der ikke kan tage skade af

væsken, der sprøjtes med.

- Fyld beholderen op igen, og gør det samme med rent vand. Du skal muligvis skylle beholderen mere end én gang, og derefter dræne igen som beskrevet ovenfor.
- Lad alle delene tørre helt, før produktet samles og gemmes væk.

VEDLIGEHOLDELSE AF DYSERNE

⚠ ADVARSEL: Sørg for, at alle dyserne vedligeholdes rigtigt, så du undgår vandlækager. Lækagerne kan gøre gulvet glat, hvilket kan føre til fare for fald og materielle skader.

Hvis sprøjtningen er uregelmæssig eller hvis ventilatoren begynder at lække, er dysen muligvis tilstoppet eller beskidt.

1. Sluk sprøjten og tag batteripakken ud.
2. **Sådan renses den justerbare dyse (fig. I1):**
 - a. Skru den rillede del af dysen og tag den justerbare dyse af.
 - b. Tryk et tyndt stykke kabel (medfølger ikke) ind i hullerne for at fjerne eventuelt skidt. Skyl om nødvendigt hullerne og dysen med rent vand.
 - c. Tør dysen af med en ren tør klud, og sæt den på igen.
3. **Sådan renses ventilatordysen og den skummende dyse (fig. I2):**
 - a. Skru dysen af og tag den af sprøjtestangen.
 - b. Tryk et tyndt stykke kabel (medfølger ikke) ind i hullet for at fjerne eventuelt skidt. Skyl om nødvendigt dysen med rent vand.
 - c. Tør dysen af med en ren tør klud, og sæt den på igen.

TRANSPORT OG OPBEVARING (FIG. L)

- Fjern batteripakken.
- Drej og sluk hastighedsknappen (den røde prik på drejeknappen skal være ud for sprøjttestangen).
- Rengør sprøjten grundigt.
- Tøm beholderen, slangen og sprøjttestangen.

BEMÆRK: Før opbevaring, især ved opbevaring før vintersæsonen, skal du sørge for at tømme beholderen, slangen og sprøjttestangen, så maskinen ikke fryser og beskadiges, hvilket kan gøre at den ikke kan starte efter vintersæsonen.

- Spænd sprøjttestangen fast på bunden og i opbevaringsklemmen.

J-1	Opbevaringsklemme	J-3	Bærehåndtag
J-2	Nedre del		

- Løft sprøjten i bærehåndtaget, eller bær den i bæreselen, når du flytter den.
- Sprøjten skal opbevares indendørs på et ordentligt ventileret sted.
- Holdes væk fra ætsende stoffer, såsom havekemikalier og vejsalt.

Beskyttelse af miljøet



Elektrisk udstyr, batterioplader og batterier må ikke smides ud sammen med almindelig husholdningsaffald!

Tag dette produkt til en autoriseret genbrugsplads, og sørg for at det sendes til genbrug. Elektriske værktøjer skal returneres til et miljøkompatibelt genvindingsanlæg.

DK

FEJLFINDING

DK

PROBLEM	ÅRSAG	LØSNING
Sprøjten starter ikke.	<ul style="list-style-type: none"> ■ Batteripakken er ikke sat helt i batterirummet. ■ Løs forbindelse mellem sprøjten og batteripakken. ■ Batteripakken er afladet. ■ Batteripakken eller sprøjten bliver meget varm. 	<ul style="list-style-type: none"> ■ Se, om batteripakken er sat rigtigt i batterirummet. ■ Tag batteripakken ud, se kontakterne efter og sæt batteripakken i igen. ■ Oplad batteripakken. ■ Sluk sprøjten og lad batteripakken eller sprøjten køle ned, indtil temperaturen falder til den anbefalede driftstemperatur.
Motoren kører, men der kommer ikke noget ud af sprøjten.	<ul style="list-style-type: none"> ■ Lavt væskeniveau i beholderen. ■ Dysen er blevet tilstoppet under drift. 	<ul style="list-style-type: none"> ■ Sørg for, at der er nok væske i beholderen. ■ Rengør dysen/dyserne som beskrevet i kapitlet "VEDLIGEHOLDELSE AF DYSERNE". Sæt dem derefter på, som beskrevet.
Væske lækker mellem betjeningshåndtaget og stangen.	<ul style="list-style-type: none"> ■ Stangens endedæksel er løs. 	<ul style="list-style-type: none"> ■ Spænd endedækslet.
Væske lækker mellem sprøjtestangen og dysen.	<ul style="list-style-type: none"> ■ Dysen er løs eller den er sat forkert på. 	<ul style="list-style-type: none"> ■ Spænd dysen ordentligt på, som beskrevet i kapitlet "SÅDAN JUSTERES OG ÆNDRES DYSERNE".

GARANTI

EGO GARANTI POLITIK

Du kan finde alle vilkårene og betingelserne for EGO's garantipolitik på hjemmesiden egopowerplus.eu.

LÄS IGENOM ALLA INSTRUKTIONER!



LÄS IGENOM BRUKSANVISNINGEN

⚠ VARNING: För att garantera en säker och pålitlig användning måste alla reparationer utföras av en kvalificerad servicetekniker.

⚠ VARNING: Var noga med att läsa igenom och förstå alla säkerhetsinstruktioner i denna bruksanvisning, inklusive alla varningssymboler såsom "FARA", "VARNING" och "FÖRSIKTIGHET" innan du använder detta verktyg. Underlåtenhet att läsa alla instruktioner som listas nedan kan resultera i elektrisk stöt, brand och/eller allvarlig personskada.

SPARA ALLA VARNINGAR OCH INSTRUKTIONER FÖR FRAMTIDA REFERENS.

SE

SÄKERHETSSYMBOLER

⚠ VARNING: Användning av något elverktyg kan resultera i att främmande föremål kastas in i dina ögon vilket kan resultera i allvarliga ögonskador. Innan elverktyget börjar användas ska alltid skyddsglasögon eller skyddsglasögon med sidoskydd och full ansiktsskydd användas när så behövs. Vi rekommenderar att en ansiktsmask med brett synfält används ovanpå glasögonen eller standard skyddsglasögon med sidoskydd.



Säkerhetslarm



För att minska risker för skador måste användare läsa igenom och förstå bruksanvisningen innan denna produkt används.



Använd skyddskläder.



Håll åskådare på avstånd när du sprutar.



Använd ansiktsskydd.



Denna produkt är i enlighet med gällande EG-direktiv.



Garanterad ljudeffektnivå. Bulleremissioner för omgivningen enligt EU-direktivet.



Denna produkt uppfyller tillämpliga lagar i Storbritannien.



Förbrukade elektriska produkter får inte kastas i hushållssoporna. Lämna in dem till en auktoriserad återvinningsstation.

IPX4

Skydd mot stänkande vatten



Likström

./min Per minut

V

Spänning

n_0

Tomgångshastighet

mm

Millimeter

ALLMÄNNA SÄKERHETSVARNINGAR

⚠ VARNING: Läs igenom alla säkerhetsvarningar, instruktioner, illustrationer och specifikationer som medföljer denna maskin. Underlåtenhet att följa alla instruktioner som listas nedan kan resultera i elektriska stötar, brand och/eller allvarliga personskador.

Spara alla varningar och instruktioner för framtida referens.

Termen "maskin" i varningarna syftar på din nätdrivna (sladdanslutna) maskin eller batteridrivna (sladdlösa) maskin.

SE

ARBETSPLATSSÄKERHET

- **Håll arbetsområdet rent och ordentligt upplyst.** Belamrade eller mörka områden inbjuder till olyckor.
- **Använd inte maskiner i explosiva miljöer som t.ex. i närvaron av brandfarliga vätskor, gaser eller damm.** Maskiner skapar gnistor som kan antända damm eller ångor.
- **Håll barn och åskådare borta medan maskinen arbetar.** Störningarna kan göra att du tappar kontrollen.

ELEKTRISK SÄKERHET

- **Maskinens stickkontakt måste matcha uttaget.** Modifiera aldrig kontakten på något sätt. Använd inte någon adapterkontakt med motordrivna verktyg som är jordade. Stickkontakter som inte modifierats och passar i eluttaget minskar risken för elektriska stötar.
- **Undvik kroppskontakt med jordanslutna eller jordade ytor såsom rör, värmeelement, spisar och kylskåp.** Det finns en ökad risk för elektrisk stöt om din kropp är jordansluten eller jordad.
- **Utsätt inte maskiner för regn eller våta förhållanden.** Om vatten tränger in i en maskin ökar risken för elektriska stötar.
- **Vanvärda inte kabeln.** Använd aldrig kabeln för att bära, släpa eller för att koppla ur maskinen. Håll kabeln borta från värme, olja, skarpa kanter och rörliga delar. Skadade eller tilltrasslade sladdar ökar risken för elektrisk stöt.
- **Vid användning av en maskin utomhus, använd en förlängningskabel som är avsedd för utomhusbruk.** Användning av en sladd som passar för utomhusanvändning minskar risken för elektrisk stöt.
- **Om du måste använda ett motordrivet verktyg i en fuktig miljö, använd en jordfelsbrytare.** En jordfelsbrytare minskar risken för elektriska stötar.

PERSONLIG SÄKERHET

- **Var uppmärksam och observant samt använd sunt förnuft när du använder en maskin. Använd inte en maskin om du är trött eller under påverkan av droger, alkohol eller medicin.** Ett ögonblicks uppmärksamhet vid användning av maskiner kan leda till allvarliga personskador.
- **Använd personlig skyddsutrustning. Använd alltid skyddsglasögon.** Minska risken för personskador genom att använda skyddsutrustning som t.ex. ansiktsmask, halkfria skyddsskor, hjälm och hörselskydd.
- **Förebygg oavsiktlig start. Se till att strömbrytaren är i fränläge innan du ansluter till strömkällan och/eller batteripaketet, plockar upp eller bär verktyget.** Att bära maskiner med fingret på strömbrytaren eller strömsatta maskiner som har strömbrytaren påslagen inbjuder till olyckor.
- **Ta bort inställningsnycklar eller skiftnycklar innan maskinen slås på.** En skiftnyckel eller en nyckel som sitter kvar på en roterande del av maskinen kan resultera i personskada.
- **Sträck dig inte för långt. Ha ordentligt fotfäste och balans hela tiden.** Detta möjliggör bättre kontroll av maskinen i oväntade situationer.
- **Klä dig på lämpligt sätt. Använd inte löst sittande kläder eller smycken. Håll hår och klädsel på avstånd från de rörliga delarna.** Löst sittande kläder, smycken och långt hår kan fastna i de rörliga delarna.
- **Om enheter har anslutning för dammuppsamlare och anslutningsmöjligheter, se till att de är anslutna och används på korrekt sätt.** Användning av dammuppsamlare kan minska dammrelaterade faror.
- **Låt inte vana efter regelbunden användning av apparaten göra att du blir självsäker och ignorerar verktygets säkerhetsprinciper.** En vårdslös handling kan orsaka allvarliga personskador inom bråkdelen av en sekund.

MASKINANVÄNDNING OCH SKÖTSEL

- **Tvinga inte maskinen. Använd rätt maskin för ditt arbete.** En korrekt maskin utför jobbet bättre och säkrare med den hastighet som den designats för.
- **Använd inte maskinen om strömbrytaren inte kan slås på eller stängas av.** Alla maskiner som inte kan kontrolleras med strömbrytaren är farliga och måste repareras.
- **Koppla ur kontakten från strömkällan och/eller ta bort batteripaketet, om det är löstagbart, från**

maskinen innan du utför justeringar, byter tillbehör eller förvarar maskiner. Dessa förebyggande säkerhetsåtgärder minskar risken för att elverktyget startas oavsiktligt.

- **Förvara maskiner som går på tomgång utom räckhåll för barn och låt inte personer som är ovana med apparaten eller dessa instruktioner använda maskinen.** Maskiner är farliga i händerna på utbildade användare.
- **Underhålla maskiner och tillbehör. Kontrollera efter felinställning eller kärvande rörliga delar, brott på delar och alla andra tillstånd som kan påverka funktionen hos maskinen. Om maskinen är skadad ska den repareras före användning.** Många olyckor beror på dåligt underhållna maskiner.
- **Håll kapverktyg vassa och rena.** Ordentligt underhållna kapverktyg med vassa sågkanter är mindre sannolika att fastna och är lättare att kontrollera.
- **Använd maskinen, tillbehör, verktygsbits osv. i enlighet med dessa instruktioner och ta hänsyn till arbetsförhållanden och det arbete som ska utföras.** Om maskinen används för andra arbeten än det är avsett för kan det resultera i farliga situationer.
- **Håll handtagen och greppytorna torra, rena och fria från olja och fett.** Hala handtag och greppytor förhindrar säker hantering och kontroll av maskinen vid oväntade situationer.

ANVÄNDNING OCH SKÖTSEL AV BATTERIMASKINEN

- **Ladda endast med den laddare som rekommenderas av tillverkaren.** En laddare som är lämplig för en typ av batteripaket kan skapa en risk för brand när den används med ett annat batteripaket.
- **Använd endast maskiner med specifikt designade batteripaket.** Användning av andra batteripaket kan medföra risk för personskador och eld.
- **När batteripaketet inte används, håll det borta från metallobjekt som t.ex. pappersgem, mynt, nycklar, spikar, skruvar och andra små metallobjekt som kan bilda en anslutning från en batterikontakt till den andra.** Kortslutning av batteriets terminaler kan orsaka brännskador eller en brand.
- **Under olämpliga förhållanden kan vätska spruta ut från batteriet. Undvik kontakt. Vid oavsiktlig kontakt, spola med vatten. Om vätskan kommer i kontakt med ögonen, sök också läkarhjälp.** Vätska som sprutar ur batteriet kan orsaka sveda och brännskador.
- **Använd inte ett batteripaket eller maskin som skadats eller modifierats.** Skadade eller modifierade

batterier kan leda till oförutsägbart uppträdande som leder till brand, explosion eller risk för personskador.

- **Utsätt inte batteripaketet eller maskinen för eld eller extrema temperaturer.** Exponering av eld eller temperaturer över 130 °C kan orsaka explosion.
- **Följ alla laddningsinstruktioner och ladda inte batteripaketet eller maskinen utanför det temperaturområde som anges i instruktionerna.** Felaktig laddning eller vid temperaturer utanför angivet temperaturområde kan skada batteriet och ökar risken för brand.

SERVICE

- **Lämna in din maskin för service hos en kvalificerad servicetekniker som endast använder identiska utbytesdelar.** Det säkerställer att maskinens säkerhet bibehålls.
- **Utför aldrig service på skadade batteripaket.** Service av batteripaket bör endast utföras av tillverkaren eller auktoriserade serviceverkstäder.

SE

SÄKERHETSINSTRUKTIONER FÖR SLADDLÖS SPRUTMASKIN

⚠ FARA: Risk för brand eller explosion. Spruta inte brandfarliga vätskor som bensin.

⚠ VARNING:

- **Använd alltid ögon-, andnings- och hudskydd för att undvika skador.**
- **Utsätt inte för regn för att minska risken för elstötar.**
- **Endast för hushålls- och utomhusbruk.**
- **Spruta inte brandfarliga eller brännbara vätskor i ett instängt utrymme.** När en brännbar vätska sprutas finns det risk för brand eller explosion, särskilt i instängda utrymmen.
- **Arbetsutrymmet måste vara väl ventilerat.**
- **Rök inte när du sprutar. Spruta inte där det förekommer gnistor eller lågor.**
- **Ta alltid bort batteripaketet innan du fyller tanken. Torka upp eventuellt spill innan du sätter in batteripaketet.** Följ denna regel för att minska risken för elektriska stötar och att frätande vätskor kommer in i batteripaketet, vilket kan orsaka batterifel, som kortslutning, vilket kan leda till rök, brand och/eller allvarliga personskador.
- **Låt inte ledande eller frätande vätskor komma in i batteripaketet.** Läs instruktionerna i batteripaketets

bruksanvisning om ledande eller frätande vätskor spills på batteriet.

- **Innan du använder ett sprutmateriäl i denna sprutmäskin ska du läsa etiketten på materialets originalbehållare noggrant och följa anvisningarna.** Vissa sprutmateriäl är farliga och får inte användas i denna sprutmäskin eftersom de kan skada sprutmäskinen och orsaka allvarliga personskador eller egendomsskador.
- **Känn till innehållet i den kemikalie som sprutas. Läs alla säkerhetsdatablad och behållaretiketter som medföljer kemikalien.** Följ kemikalietillverkarens säkerhetsinstruktioner.
- **Fara för elektriska stötar.** Spruta aldrig mot eluttag.
- **Häll inte varma eller kokande vätskor i tanken.** Dessa kan försvaga eller skada slangarna eller tanken.
- **Undvik att spruta under bläsiga dagar.** Stänk kan oavsiktligt blåsas på växter eller föremål som inte får besprutas.
- **Förvara sprutmäskinen i ett säkert, välventilerat inomhusutrymme med vätsketanken tom.**
- **Spruta inte blekmedel eller väteperoxid.**
- **Spruta inte alkoholbaserade kemikalier.**
- **Spruta inte pulverkemikalier eller slipande kemikalier.**
- **Spruta inte frätande (alkaliska) eller självupphettande vätskor.**
- **Använd inte miljöfarliga kemikalier som inte är tillåtna enligt lokala bestämmelser.**
- **Rikta inte sprutmunstycket mot personer eller husdjur.**
- **Låt inte följande använda mäskinen: Barn eller personer med nedsatt fysisk, sensorisk eller mental förmåga eller personer som saknar erfarenhet eller kunskap eller är obekanta med dessa instruktioner.**
- **Operatören eller användaren är ansvarig för olyckor eller faror som uppstår för andra personer eller deras egendom.**
- **Sprutmäskinen får endast användas med växtskyddsmedel som godkänts av lokala/nationella tillsynsmyndigheter som överser växtskyddsmedel för användning med ryggsäckssprutmäskinen.**
- **Risk för injektion.** Spruta inte direkt mot huden. Håll alla kroppsdelar borta från sprutmönstret.
- **Låt inga rester eller sprutmateriäl vara kvar i tanken efter användning av sprutmäskinen. Rengör**

efter varje användning.

- **Minska risken för brand och explosion genom att använda en vätska med en flampunkt högre än 60 °C.**
- **Minska risken för elektriska stötar genom att inte sänka ner sprutmäskinen i vatten eller någon annan vätska. Placera eller förvara inte sprutmäskinen på en plats där den kan falla ner eller dras ner i ett badkar eller handfat.**
- **Underhåll produkten. Inspektera sprutmäskinen insida och utsida noggrant och undersök komponenterna före varje användning. Kontrollera om tanken har sprickor eller skador, om munstycket är blockerat eller om delar saknas eller har skadats. Om produkten är skadad ska den repareras före användning. Många olyckor orsakas av dåligt underhållna produkter.**
- **Vrid strömbrytaren till avstängt läge när sprutmäskinen inte används och före service eller rengöring.**
- **Koppla bort batteriet från enheten innan du tömmer, rengör eller förvarar sprutmäskinen.** Dessa förebyggande säkerhetsåtgärder minskar risken för oavsiktlig start.
- **Använd alltid ögonskydd med sidoskärmar eller skyddsglasögon.** Om du inte gör detta kan vätska komma in i ögonen, vilket kan leda till allvarliga skador.
- **Skydda dina lungor. Använd godkänd säkerhetsutrustning såsom ansiktsmasker som är speciellt utformade för att filtrera bort sprutstänk, samt handskar och annan lämplig skyddsutrustning.** Följ denna regel för att minska risken för allvarliga personskador. Följ kemikalietillverkarens säkerhetsinstruktioner och riktlinjer som anges på säkerhetsdatabladet.
- **Kemikalier och kemiska ångor kan vara farliga och orsaka allvarliga skador, bestående skador eller dödsfall om de förtärs, andas in eller stänks i ögonen eller på huden.** Följ kemikalietillverkarens säkerhetsinstruktioner och riktlinjer som anges på säkerhetsdatabladet.
- **För att minska risken för personskador krävs noggrann övervakning när sprutmäskinen används i närheten av barn.**
- **Vidrör inte rörliga delar.**
- **Använd endast tillbehör som rekommenderas eller säljs av tillverkaren.**
- **Förebygg oavsiktlig start. Se till att strömbrytaren är i avstängt läge innan ett batteripaket ansluts, plockas upp eller apparaten bärs. Att bära apparaten**

med fingret på strömbrytaren eller med apparaten ansluten till strömmen och strömbrytaren på leder till olyckor.

SPARA DESSA INSTRUKTIONER

SPECIFIKATIONER

Märkspänning	56 V
Max. tankkapacitet	15 l
Max. arbetstryck	24 Bar
Max. Sprutflödes hastighet (sprutläge för justerbart munstycke)	2,3 l/min
Inloppsfilter, diameter	35 mm
Inloppsfilter, nätstorlek	0,35 mm
Utloppsfilter, diameter	124 mm
Vikt (torrvikt, utan batteripaket)	7,6 kg
Rekommenderad drifttemperatur	5 °C - 40 °C
Rekommenderad förvaringstemperatur	-20 °C - 70 °C
Rekommenderad laddningstemperatur	5 °C - 40 °C

⚠ VARNING: Innan du använder en ryggsäckssprutmaskin, se till att bekräfta att den totala vikten, vilket omfattar maskinen, vätskan i tanken och munstycket och batteripaketet som används, inte överstiger 25 kg för att undvika skador och balansproblem.

- Det deklarerade totala vibrationsvärdet har uppmätts i enlighet med en standardtestmetod och kan användas för att jämföra ett verktyg med ett annat;
- Det deklarerade totala vibrationsvärdet kan också användas i en preliminär utvärdering av exponeringen.

UPPMÄRKSAMMA: Vibrationsutstrålningen under verklig användning av elverktyg kan skilja sig från det deklarerade värdet i vilken verktyget används. För att skydda användaren ska skyddshandskar och hörselskydd användas under faktiska användningsförhållandet.

PACKLISTA (BILD A1)

BESKRIVNING

KÄNN TILL DIN SPRUTMASKIN (bild A1)

1. Slang
2. Batterifack
3. Tank
4. Tanklock
5. Bärhandtag
6. Justerbar stödsle
7. Hastighetsvred
8. Låsspak
9. PÅ/AV-avtryckare
10. Styrhandtag
11. Ändlock
12. Sprutrör
13. Justerbart munstycke
14. Spridmunstycke
15. Skummunstycke
16. Duschmunstycke

SE

MONTERING

⚠ VARNING: Om någon del är skadad eller saknas ska inte denna produkt användas innan delarna ersatts. Användning av denna produkt om den är skadad eller saknar delar kan resultera i allvarliga personskador.

⚠ VARNING: Försök inte att modifiera denna produkt eller skapa tillbehör som inte rekommenderas för användning med denna produkt. Alla sådana ändringar eller modifieringar är missbruk och kan resultera i allvarliga situationer som kan leda till allvarliga personskador.

⚠ VARNING: För att förhindra oavsiktlig start som kan orsaka allvarliga personskador ska batteripaketet alltid tas bort från maskinen när delar monteras, inställningar görs, vid rengöring eller när den inte används.

- Denna produkt kräver montering.
- Ta försiktigt ur produkten och eventuella tillbehör från lådan. Se till att alla poster som står i "packlistan" finns med.
- Kontrollera produkten noggrant för att säkerställa att inget är trasigt och att inga skador uppstått under

leveransen.

- Spara förpackningsmaterialet tills du noggrant har inspekterat och tillfredsställande använt produkten.
- Om några delar är skadade eller saknas ska du returnera produkten till inköpsstället.

ANSLUTA SPRUTRÖRET TILL STYRHANDTAGET

1. Trä på sprutrörets ändlock på styrhandtaget och dra åt ordentligt medurs (bild B).
2. Dra i sprutröret för att se till att det sitter fast ordentligt.

SE DRIFT

⚠ VARNING: Bli inte vårdslös bara för att du är bekant med denna produkt. Kom ihåg att oaktsamhet under en bråkdel av en sekund är tillräcklig för att orsaka allvarliga skador.

⚠ VARNING: Använd skyddsutrustning. Skydda ögon, hud och lungor när du blandar, fyller, sprutar och rengör. Om du inte gör detta kan det leda till allvarliga personskador och egendomsskador.

⚠ VARNING: För att förhindra allvarliga personskador ska du ta ut batteripaketet före service, rengöring, byte av tillbehör, påfyllning eller tömning av tanken.

⚠ VARNING: Använd inga andra tillsatser eller tillbehör än de som rekommenderas av tillverkaren av denna produkt. Användning av tillbehör eller tillsatser som inte rekommenderas kan resultera i allvarlig personskada.

Inspektera hela produkten innan varje användning om där finns skador, saknade eller lösa delar såsom skruvar, muttrar, bultar, höljen etc. Dra åt alla fästelement och lock och använd inte denna produkt innan alla saknade eller skadade delar bytts ut.

AVSEDD ANVÄNDNING

Du kan använda denna produkt för de tillämpningar som listas nedan:

- Besprutning med gödselmedel och bevattning av växter.
- Besprutning med bekämpningsmedel mot ogräs, skadedjur och svamp.

UPPMÄRKSAMMA: Produkten är endast avsedd för trädgårds- och jordbruksbruk.

UPPMÄRKSAMMA: Produkten får enbart användas för det föreskrivna ändamålet. All annan användning

betraktas som missbruk.

⚠ VARNING: Felaktig besprutning av kemikalier eller lösningar kan resultera i ALLVARLIG SKADA eller DÖDSFALL. Följ kemikalietillverkarens säkerhetsinstruktioner och riktlinjer som anges på säkerhetsdatabladet.

FYLLA PÅ TANKEN (bild C)

⚠ VARNING: Följ alltid kemikalietillverkarens instruktioner för användning, rengöring och förvaring som finns tryckta på produktetiketten. Kombinera inte kemikalier. Rengör tanken noggrant efter varje användning, följ instruktionerna i avsnittet "UNDERHÅLL" i denna bruksanvisning. Kemikalier bör förvaras utom räckhåll för barn. Om så inte görs kan det leda till allvarliga personskador.

⚠ VARNING: För att undvika skador och balansproblem, se till att den mängd vätska som tillsätts i tanken inte gör att sprutmaskinens totala vikt, inklusive maskinen, vätskan i tanken och munstycket och batteripaketet som används, överstiger 25 kg.

Flytande kemikalier som ska sprutas måste vara lika tunna som vatten. Tjockare vätskor kan inte sprutas korrekt. Överfyll inte tanken.

1. Ta ut batteripaketet.
2. Skruva av tanklocket moturs och ta bort det från tanken.
3. Ställ sprutmaskinen på en jämn yta.
4. Fyll tanken med önskad mängd vatten.
5. Mät den rekommenderade mängden flytande kemikalie.
6. Håll försiktigt den flytande kemikalien i tanken.
7. Skruva tillbaka tanklocket på sprutan och se till att locket är ordentligt åtdraget.

Sprutlösningar kan förblandas och hällas i sprutan.

UPPMÄRKSAMMA: Om du använder en mätbehållare till vätskan ska du vara noga med att rengöra och skölja behållaren noggrant efter användning. Om sprutlösningen förblandas ska du skölja behållaren som används vid blandningen.

UPPMÄRKSAMMA: Det är viktigt att rengöra sprutmaskinen noggrant efter varje användning. Låter du vätska vara kvar i en sprutmaskin som inte används under en längre tid kan det leda till att maskinens rörliga delar och kopplingar fastnar.

FÄST/TA LOSS BATTERIPAKETET

Använd endast med EGO:s batteripaket och laddare som listas i bild A2.

Se motsvarande batteripaket och laddarmanualer för mer information.

Ladda fullt innan första användning.

1. Lyft upp batterifackets lock genom att lyfta framsidan av locket (bild D1).
2. **Fastsättning**, Rikta in listerna på batteriet med monteringsspåren och tryck sedan ner batteripaketet tills du hör ett "klick" (bild D1).
3. **Borttagning**, Tryck in batteriets låsknapp och dra sedan ut batteripaketet (bild D2).
4. Stäng luckan till batterifacket.

⚠ VARNING: Var alltid uppmärksam vart du har dina fötter, barn eller husdjur när du trycker in frigöringsknappen för batteriet. Allvarliga personskador kan inträffa om batteripaketet tappas. Ta ALDRIG ut batteripaketet när du är på en hög plats.

⚠ VARNING: Se till att spärren på sprutmaskinen snäpper på plats, att batteripaketet är fastsatt i sprutmaskinen och att locket till batterifacket är helt stängt innan du börjar arbeta. Om batteripaketet inte sitter ordentligt fast kan det leda till att batteripaketet ramlar ut, vilket kan leda till allvarlig personskada.

⚠ VARNING: Undvik allvarliga personskador genom att alltid ta ut batteripaketet och hålla händerna borta från startspärren och avtryckaren när sprutmaskinen bärs eller transporteras.

POSITIONERA RYGGSÄCKSSPRUTMASKINEN

⚠ VARNING: Använd korrekta kläder för att minska risken för personskador vid användning av denna maskin. Bär inte löst sittande kläder eller smycken. Använd ögonskydd. Använd rejäla långbyxor, kängor och handskar. Använd inte shorts, sandaler eller gå barfota.

Innan du använder ryggäckssprutmaskinen ska du se till att operatören bär ögonskydd och lämpliga kläder och att hen kan stå säkert och balanserat.

Justera stödselen

1. För armarna genom axelseleens remmar för att stödja sprutmaskinen på din rygg.
2. Justera båda axelremmarna till ett bekvämt läge (bild E1). Se även till att din armbåge är i ett bekvämt läge.

3. Knäpp fast bröstspännet och justera bröstbandets längd om nödvändigt (bild E2).
4. Knäpp midjespännet och justera midjebandets längd så att rygg säcken får ett säkert stöd runt höfterna (bild E3 och E4).

NOTERA: Selen bör inte sitta för högt upp på ryggen. Den ska placeras närmare höften än axlarna.

⚠ VARNING: I en nödsituation ska du omedelbart lossa bröst- och midjespännena för att ta av ryggäckssremmen på varje sida. Detta är en metod för snabbkoppling.

5. Justera axelremmarna för säker och bekväm användning. Se till att selen sitter korrekt över ryggen, med vikten som stöds av midjebältet, och utan att den flyttas för mycket när du rör dig (bild E5).
6. För in bandets extralängd runt midjan i resåren på båda sidorna (bild E6).
7. Ta av selen från ryggen genom att trycka på midje- och bröstspännena för att frigöra dem och sänka ner sprutmaskinen (bild E7).

SE

STARTA/STOPPA SPRUTMASKINEN (bild F)

Hastighetsvred

1. För att öka flödet vrids du hastighetsvredet medurs.

F-1	Hastighetsvred	F-3	PÅ/AV-avtryckare
F-2	Låsspak		

2. För att minska flödet vrids du hastighetsvredet moturs.
3. Fortsätt att vrida hastighetsvredet till avstängd position ("OFF") för att stoppa sprutmaskinen.

⚠ VARNING: Undvik oavsiktliga starter genom att vrida hastighetsvredet till avstängt läge (röda punkten på vredet pekar mot sprutröret).

⚠ VARNING: Innan du förvarar maskinen, lämnar den under en längre tid eller byter batteri, ska du alltid vrida hastighetsvredet till avstängt läge (röda punkten på vredet pekar mot sprutröret).

PÅ/AV-avtryckare

1. Tryck in PÅ/AV-avtryckaren för att slå på sprutmaskinen.
2. Släpp avtryckaren för att stoppa flödet.

Låsspak

Låsspaken är praktisk när du sprutar under en längre tid eller när du täcker ett stort område.

1. Lås PÅ/AV-avtryckaren i påslaget läge genom att trycka på låsspaken efter att ha tryckt in avtryckaren.
2. Dra i låsspaken för att släppa PÅ/AV-avtryckaren.

UPPMÄRKSAMMA: Se till att avtryckaren inte är låst i påslaget läge innan du sätter i batteripaketet i sprutmaskinen.

JUSTERA OCH BYTA MUNSTYCKEN

⚠ VARNING: Förhindra allvarliga personskador genom att ta ut batteriet innan du justerar eller byter munstycken.

Sprutmaskinen levereras med fyra munstycken: Justerbart munstycke, spridmunstycke, duschmunstycke och skummunstycke. Byt munstycke innan du börjar arbeta så att det passar den aktuella uppgiften.

Justerbart munstycke (bild G1): Bespruta en punkt när du besprutar rabatter, gångvägar, uppfarter, uteplatser och runt träd och buskar. Bespruta kanter längs staket, uppfarter och gångvägar. Avlägsna ogräs.

Spridmunstycke (bild G3): Platt fjäderformat sprutmönster för mycket bred täckning och för vätskor med högre viskositet. Förbereda stora områden för plantering.

G-1	Spridmunstycke	G-3	Skummunstycke
G-2	Duschmunstycke		

Duschmunstycke (bild G3): Ger högre vattenflöde för bevattning och behandling av växter.

Skummunstycke (bild G3): Tydlig markering av behandlat ogräs. Bespruta en punkt för besprutning av ogräs i gräsmattan, runt rabatter, träd och buskar. Bespruta kanter längs staket, uppfarter och gångvägar.

Det justerbara munstycket kan justeras mellan stråle och sprej (bild G1).

1. Vrid den räfflade (texturerade) delen av munstycket moturs för en stråle.
2. Vrid den räfflade (texturerade) delen av munstycket medurs för sprej.

Skruva av hela munstycket moturs för att ta av och byta munstycke (bild G2).

Flödet för de olika munstycken som följer med sprutan:

	Nominellt flöde (l/min)	Maximalt arbetstryck (l/min)	Optimalt arbetstryck (l/min)
Justerbart munstycke	2,3	2,7	2,4
Spridmunstycke	2,3	2,7	2,4
Duschmunstycke	2,3	2,9	2,7
Skummunstycke	2,3	2,7	2,4

SPRUTE KEMIKALIER FÖR HEM OCH TRÄDGÅRD (bild H)

⚠ VARNING: Rikta aldrig munstycket mot dig själv eller andra.

⚠ VARNING: Rök, ät eller drick aldrig när du använder sprutmaskinen.

⚠ VARNING: Spruta aldrig riktat mot människor eller djur. Spruta alltid medvind.

⚠ VARNING: Risk för brand eller explosion. Arbetsområdet måste vara väl ventilerat och på avstånd från gnistor eller flammor.

1. Montera batteripaketet.
2. Vrid hastighetsvredet för att ställa in önskad flödeshastighet.
3. Rikta sprutmunstycket direkt mot de växter eller föremål du vill bespruta.

NOTERA: Se till att stå tillräckligt långt från föremålet som besprutas för att förhindra att få stänk på dig.

4. Tryck på avtryckaren för att starta sprutmaskinen.
5. Släpp avtryckaren för att stoppa sprutmaskinen.
6. Töm och rengör alltid tanken efter varje användning enligt anvisningarna i avsnittet "UNDERHÅLL".

ANVÄNDNINGSTIPS

- Justera axelremmarna på selen så att sprutan sitter ovanför midjan och tanken är nära mot ryggen.
- Undvik att spruta under blåsiga dagar. Stänk kan oavsiktligt blåsas på växter eller föremål som inte får besprutas.
- Spruta tidigt på morgonen eller sent på eftermiddagen,

särskilt i varmare väder. Vid hög värme kan kemikalielösningen avdunsta innan den lägger sig.

UNDERHÅLL

⚠ VARNING: Vid service ska enbart identiska utbyteskomponenter användas. Användning av andra delar kan skapa risker eller orsaka produktskador. För att garantera en säker och pålitlig användning måste alla reparationer utföras av en kvalificerad servicetekniker.

⚠ VARNING: Undvika allvarliga personskador genom att ta bort batteripaketet från sprutmaskinen innan du utför service, rengör, byter munstycken, utför något underhåll eller när sprutmaskinen inte används. Ett batteridrivet verktyg med isatt batteripaketet är alltid påslaget och kan starta oavsiktligt.

ALLMÄNT UNDERHÅLL

All service av sprutmaskinen, utöver den service som anges i dessa underhållsinstruktioner, ska utföras av auktoriserad servicepersonal.

RENGÖRING

Använd inte lösningsmedel när du rengör plastdelarna. De flesta plaster är känsliga för skador från olika typer av kommersiella lösningsmedel och kan skadas av dess användning. Använd en ren trasa för att ta bort smuts, damm, olja, fett etc.

⚠ VARNING: Låt aldrig bromsvätska, bensin, petroleumbaserade produkter, smörjfett osv. komma i kontakt med plastdelarna. Kemikalier kan skada, försvaga eller förstöra plast vilket kan resultera i allvarliga personskador.

⚠ VARNING: Vid rengöring av sprutmaskinen får den INTE sänkas ned i vatten eller annan vätska.

⚠ VARNING: Förvara och kassera alltid kemikalier på rätt sätt. Förorenat sköljvatten ska bortskaffas enligt lokala förordningar och regler.

- Finns det vätska kvar i tanken efter besprutningen ska tanken tömmas före rengöring.
- Använd alltid endast en mjuk och torr trasa för att rengöra tankens utsida. Använd aldrig rengöringsmedel eller alkohol.
- Fyll tanken med rent vatten till ungefär en tredjedel. Spruta tills tanken har tömts. Se till att rikta sprayen mot ett område som inte kan skadas av sprutlösningen.
- Fyll på och upprepa proceduren med rent vatten.

Tanken kan behöva sköljas mer än en gång. Töm därefter enligt anvisningarna ovan.

- Låt alla delar torka helt innan du sätter ihop och förvarar apparaten igen.

UNDERHÅLLA MUNSTYCKEN

⚠ VARNING: Se till att allt underhåll av munstycket utförs korrekt för att förhindra vattenläckor. Läckorna kan resultera i en hal yta som skapar risk för halka och fall eller orsaka egendomsskador.

Oregelbundna sprutmönster eller läckage kan bero på ett igensatt eller smutsigt munstycke.

1. Stäng av sprutmaskinen och ta ut batteripaketet.
2. **Rensa det justerbara munstycket (bild I1):**
 - a. Skruva loss och ta bort den räfflade (texturerade) delen av det justerbara munstycket.
 - b. Tryck en tunn tråd (medföljer inte) genom korshålen för att rensa bort eventuellt skräp. Skölj vid behov korshålen och munstycket med rent vatten.
 - c. Torka av munstycket med en ren, torr trasa och sätt tillbaka munstycket.
3. **Rensa sprid- och skummunstycket (bild I2):**
 - a. Skruva loss och ta bort munstycket från sprutröret.
 - b. Tryck en tunn tråd (medföljer inte) genom hålet för att rensa bort eventuellt skräp. Skölj vid behov munstycket med rent vatten.
 - c. Torka av munstycket med en ren, torr trasa och sätt tillbaka munstycket.

SE

TRANSPORT OCH FÖRVARING (bild J)

- Ta ut batteripaketet.
- Vrid hastighetsvredet till avstängt läge (röda punkten på vredet pekar mot sprutröret).
- Rengör fläkten noggrant.
- Töm tanken, slangen och sprutröret.

UPPMÄRKSAMMA: Före lagring, särskilt före vintern, se till att tömma tanken, slangen och sprutröret för att förhindra att maskinen fryser och skadas. Detta skulle kunna leda till att den inte startar efter vintern.

- Fäst sprutröret i basen och förvaringsklämman.

J-1	Lagringsklämman	J-3	Bärhandtag
J-2	Bas		

- Lyft sprutmaskinen i bärhandtaget eller bär den med hjälp av stödselen när du transporterar den.



- Förvara sprutmaskinen inomhus på en väl ventilerad plats.
- Håll den undan från korrosiva medel såsom trädgårdskemikalier och avsningsalt.

Skydda miljön



Kasta inte elektrisk utrustning, använt batteri och laddare i hushållssoporna!

Ta denna produkt till en auktoriserad återvinnare och gör den tillgänglig för separat insamling. Elektriska verktyg måste returneras till en miljöanpassad återvinningsanläggning.

SE

FELSÖKNING

PROBLEM	ORSAK	LÖSNING
Sprutmaskinen startar inte.	<ul style="list-style-type: none"> ■ Batteripaketet är inte ordentligt isatt i batterifacket. ■ Det finns ingen elektrisk kontakt mellan sprutmaskinen och batteripaketet. ■ Batteripaketets laddning är slut. ■ Batteripaketet eller sprutmaskinen är för varm. 	<ul style="list-style-type: none"> ■ Kontrollera att batteripaketet är ordentligt isatt i batterifacket. ■ Ta ut batteripaketet, kontrollera kontakterna och sätt tillbaka batteripaketet. ■ Ladda batteripaketet. ■ Stäng av sprutmaskinen och låt batteripaketet eller sprutmaskinen svalna tills temperaturen sjunker till det rekommenderade driftstemperaturintervallet.
Motorn går men det kommer inget ur munstycket.	<ul style="list-style-type: none"> ■ Låg vätskenivå i tanken. ■ Munstycket har blivit igensatt under drift. 	<ul style="list-style-type: none"> ■ Kontrollera och se till att det finns tillräckligt med vätska i tanken. ■ Rengör munstyckena enligt kapitlet "Underhålla munstycken" och montera dem igen enligt instruktionerna.
Vätska läcker ut mellan styrhandtaget och sprutröret.	<ul style="list-style-type: none"> ■ Ändlocket på sprutröret sitter löst. 	<ul style="list-style-type: none"> ■ Dra åt ändlocket.
Vätska läcker ut mellan sprutröret och munstycket.	<ul style="list-style-type: none"> ■ Munstycket sitter löst eller är felaktigt monterat. 	<ul style="list-style-type: none"> ■ Montera munstycket korrekt och tätt enligt kapitlet "JUSTERA OCH BYTA MUNSTYCKEN".

SE

GARANTI

EGO GARANTIPOLICY

Besök webbsidan egopowerplus.eu för fullständiga villkor för EGO garantipolicy.

LUE KAIKKI OHJEET!**LUE KÄYTTÖOPAS**

VAROITUS: Pätevän huoltoteknikon tulee suorittaa kaikki korjaukset, jotta voidaan taata tuotteen turvallinen ja luotettava käyttö.

VAROITUS: Lue ja ymmärrä tämän käyttöoppaan kaikki turvallisuusohjeet, mukaan lukien turvallisuusvaroitussymbolit, kuten "VAARA", "VAROITUS" ja "HUOMIO" ennen laitteen käyttämistä. Alla olevien ohjeiden noudattamatta jättäminen saattaa aiheuttaa sähköiskun, tulipalon ja/tai vakavan henkilövahingon.

SÄILYTÄ KAIKKI VAROITUKSET JA OHJEET MYÖHEMPÄÄ KÄYTTÖÄ VARTEN.

FI**TURVALLISUUSSYMBOLIT**

VAROITUS: Minkä tahansa sähkötyökalun käyttö saattaa aiheuttaa vierasesineiden sinkoutumisen silmiin, mikä voi aiheuttaa vakavia silmävammoja. Käytä aina suojalaseja, joissa on sivusuojat, ja tarvittaessa koko kasvot peittävää suojaa, kun käytät sähkötyökaluja. Silmälasien päällä suosittelemme käytettäväksi suojamaskia, jossa on laaja näkökenttä, tai tavallisia suojalaseja, joissa on sivusuojat.



Turvallisuushälytys



Käyttäjän on luettava ja ymmärrettävä käyttöopas ennen tämän laitteen käyttöä loukkaantumisvaaran vähentämiseksi.



Käytä suojavaatetusta.



Pidä sivulliset etäällä ruiskutuksen aikana.



Käytä kasvosuojusta.



Tämä tuote vastaa sovellettavia EU-direktiivejä.



Taattu äänitehotaso. Melupäästöt ympäristöön Euroopan yhteisön direktiivin mukaiset.



Tämä tuote vastaa sovellettavaa UK-lainsäädäntöä.



Vanhoja sähkölaitteita ei saa hävittää kotitalousjätteen mukana. Vie laite valtuutettuun kierrätyslaitokseen.

IPX4

Suojaus vesiroiskeilta



Tasavirta

../min per minuutti

V

Jännite

 n_0

Tyhjäkäyntinopeus

mm

Millimetri

YLEISET TURVALLISUUSVAROITUKSET

VAROITUS: Lue kaikki tämän koneen mukana tulleet turvallisuusvaroitukset, ohjeet, piirustukset ja tekniset tiedot. Jos kaikkia alla olevia ohjeita ei noudateta, seurauksena saattaa olla sähköisku, tulipalo ja/tai vakava loukkaantuminen.

Säilytä kaikki varoitukset ja ohjeet myöhempiä käyttöä varten.

Varoituksissa termillä ”kone” tarkoitetaan verkkovirtakäyttöistä (johdollista) tai akkukäyttöistä (johdotonta) konetta.

TYÖALUEEN TURVALLISUUS

- **Pidä työskentelyalue siistinä ja hyvin valaistuna.** Sotkuiset tai hämärät alueet aiheuttavat onnettomuuksia.
- **Älä käytä koneita räjähdysherkässä ympäristössä, kuten esimerkiksi syttyvien nesteiden, kaasujen tai pölyjen lähellä.** Koneet saattavat aiheuttaa kipinöitä, jotka voivat sytyttää pölyn tai höyryt.
- **Älä päästä lapsia tai sivullisia lähelle, kun käytät konetta.** Häiriötekijät voivat aiheuttaa hallinnan menettämisen.

SÄHKÖTURVALLISUUS

- **Koneen pistokkeiden on vastattava pistorasiaa. Älä ikinä muokkaa pistotulppaa millään tavalla. Älä käytä minkäänlaisia sovitinpistokkeita maadoitettujen koneiden kanssa.** Muokkaamattomat pistokkeet ja niihin sopivat pistorasiat vähentävät sähköiskun vaaraa.
- **Vältä koskemasta varatalollasi maadoitettuihin pintoihin, kuten putkiin, lämmityspattereihin, liesiin ja jääkaappeihin.** Sähköiskun riski kasvaa, jos kehosi on maadoitettu.
- **Älä altista koneita sateelle tai märille olosuhteille.** Koneeseen pääsevä vesi lisää sähköiskun vaaraa.
- **Älä väärinkäytä johtoa. Älä ikinä käytä johtoa koneen kantamiseen, vetämiseen tai pistokkeen irrottamiseen. Pidä johto poissa tulen, öljyn, terävien reunojen tai liikkuvien osien läheltä.** Vahingoittuneet tai sotkeutuneet johdot lisäävät sähköiskun vaaraa.
- **Kun käytät konetta ulkona, käytä ulkokäyttöön tarkoitettua jatkojohtoa.** Ulkokäyttöön tarkoitettujen jatkojohdon käyttö vähentää sähköiskun riskiä.
- **Jos et voi välttää koneen käyttöä kosteissa olosuhteissa, käytä vikavirtasuojakytkimellä (vsvk) suojattua virtalähdettä.** Vikavirtasuojakytkimen

käyttö vähentää sähköiskun vaaraa.

HENKILÖKOHTAINEN TURVALLISUUS

- **Ole valpas, tarkkaavainen ja käytä maalaisjärkeä, kun käytät konetta. Älä käytä konetta, kun olet väsynyt tai kun olet huumeiden, alkoholin tai lääkityksen vaikutuksen alaisena.** Hetkellinenkin huomion herpaantuminen koneita käytettäessä saattaa aiheuttaa vakavan henkilövahingon.
- **Käytä henkilönsuojaimia. Käytä aina silmäsuojaimia.** Suojavarusteiden, kuten hengityssuojaimen, luistamattomien turvakengien, suojakypärän tai kuulosuojaimien, käyttö tarvittaessa vähentää loukkaantumisvaaraa.
- **Estä vahingossa käynnistyminen. Varmista, että kytkin on off-asennossa, ennen kuin liität virtalähteen ja/tai akun, nostat koneen tai kannat sitä.** Koneen kantaminen sormi virtakytkimellä tai virta kytkettyä olevan koneen liittäminen pistorasiaan muodostaa onnettomuusvaaran.
- **Poista kaikki säätöön käytetyt avaimet tai kiintoavaimet ennen kuin käynnistät koneen.** Koneen pyöriivään osaan jätetty avain tai kiintoavain saattaa aiheuttaa henkilövahingon.
- **Älä kurkottele. Säilytä aina tukeva asento ja hyvä tasapaino.** Näin hallitset koneen parhaalla mahdollisella tavalla odottamattomissa tilanteissa.
- **Pukeudu asianmukaisesti. Älä käytä väljiä vaatteita tai koruja. Pidä hiukset ja vaatteet etäällä liikkuvista osista.** Väljät vaatteet, korut tai pitkät hiukset voivat tarttua kiinni liikkuviin osiin.
- **Jos laitteissa on liitännät pölynpoistolaitteille ja keräilylaitteille, varmista, että ne on liitetty ja niitä käytetään oikein.** Pölynpoistolaitteiden käyttö vähentää pölyyn liittyviä vaaroja.
- **Älä anna koneiden tuttuuden toistuvan käytön takia tehdä sinua liian itsevarmaksi, äläkä jätä koneiden turvallisuusohjeita noudattamatta.** Huolimaton toiminta voi aiheuttaa vakavan henkilövahingon sekunnin murto-osassa.

KONEEN KÄYTTÖ JA HOITO

- **Älä pakota konetta. Käytä omaan käyttötarkoitukseesi soveltuvaa konetta.** Oikea kone suoriutuu parhaiten ja turvallisimmin tehtävästä sille tarkoitettulla nopeudella.
- **Älä käytä konetta, jos sitä ei saa käynnistettyä ja sammutettua kytkimellä.** Koneen, jota ei voida hallita kytkimellä, käyttö on vaarallista ja se on korjattava.
- **Irrota pistotulppa virtalähteestä ja/tai irrota akku koneesta, jos irrotettavissa, ennen kuin**

teet mitään säätöjä, vaihdet apuvälineitä tai laitat koneen varastoon. Nämä ennaltaehkäisevät turvallisuustoimenpiteet vähentävät koneen vahingossa käynnistymisen riskiä.

- **Säilytä käyttämättömänä oleva kone lasten ulottumattomissa, äläkä anna henkilöiden, jotka eivät tunne konetta tai näitä ohjeita, käyttää konetta.** Koneet ovat vaarallisia kokemattomien käyttäjien käsissä.
- **Pidä koneet ja lisävarusteet kunnossa. Tarkista, että liikkuvat osat ovat kunnolla paikallaan, että osat ovat ehjiä, ja että koneessa ei ole muita ongelmia, jotka saattaisivat vaikuttaa sen toimintaan. Jos kone on vaurioitunut, korjautta se ennen käyttöä.** Monet onnettomuudet johtuvat huonosti huolletuista koneista.
- **Pidä leikkuutyökalut terävinä ja puhtaina.** Oikein huolletut leikkuutyökalut, joissa on terävät leikkuureunat, eivät todennäköisesti jumiudu, ja niitä on helpompi hallita.
- **Käytä konetta, lisävarusteita ja koneen teriä ym. näiden ohjeiden mukaisesti ja siten, että otat huomioon käyttöolosuhteet ja tehtävän työn.** Koneen käyttö muuhun kuin sille suunniteltuun tarkoitukseen saattaa aiheuttaa vaaratilanteen.
- **Pidä kahvat ja tartuntapinnat kuivina, puhtaina, öljyttöminä ja rasvattomina.** Liukkaat kahvat ja tartuntapinnat eivät mahdollista koneen turvallista käsittelyä ja hallintaa odottamattomissa tilanteissa.

AKKUKÄYTTÖISEN KONEEN KÄYTTÖ JA HOITO

- **Lataa vain valmistajan määrittelemällä laturilla.** Laturi, joka sopii yhdyntyyppiselle akulle voi aiheuttaa tulipalovaaran, jos sitä käytetään toisenlaisen akun kanssa.
- **Käytä koneissa vain erityisesti niihin tarkoitettuja akkuja.** Muunlaisten akkujen käyttö saattaa aiheuttaa henkilövahingon tai tulipalon vaaran.
- **Kun akku ei ole käytössä, pidä se erillään metalliesineistä, kuten paperiliittimet, kolikot, avaimet, naulat, ruuvit ja muut pienet metalliesineet, jotka voivat yhdistää akun navat toisiinsa.** Akun napojen oikosulku voi aiheuttaa palovammoja tai tulipalon.
- **Akusta voi valua nestettä väärästä käytöstä johtuen. Vältä kosketusta nesteeseen. Jos kosket nesteeseen vahingossa, huuhtelee vedellä. Jos nestettä pääsee silmiin, hakeudu lääkärin hoitoon.** Akusta valuva neste voi aiheuttaa ärsytystä tai palovammoja.
- **Älä käytä akkua tai konetta, joka on vaurioitunut**

tai jota on muutettu. Vaurioituneet tai muutetut akut voivat käyttäytyä arvaamattomasti ja aiheuttaa tulipalon, räjähdysken tai henkilövahingon vaaran.

- **Älä altista akkua tai konetta tulelle tai äärimmäisille lämpötiloille.** Altistaminen tulelle tai yli 130 °C:n lämpötilalle voi aiheuttaa räjähdysken.
- **Noudata kaikkia latausohjeita, äläkä lataa akkua tai konetta lämpötilassa, joka ei ole ohjeissa ilmoitetun lämpötila-alueen sisällä.** Virheellinen lataaminen tai lataaminen ilmoitetun lämpötila-alueen ulkopuolella olevassa lämpötilassa voi vaurioittaa akkua ja lisätä palovaaraa.

HUOLTO

- **Huollata kone asiantuntevalla korjaajalla, joka käyttää vain identtisiä varosia.** Tällä varmistetaan, että koneen turvallisuus säilyy.
- **Älä koskaan huolla vaurioituneita akkuja.** Akkujen huollon saa tehdä vain valmistaja tai sen valtuuttamat huoltoilikkeet.

AKKUKÄYTTÖISEN RUISKUN TURVALLISUUSOHJEET

VAARA: Tulipalo- tai räjähdysvaara. Älä ruiskuta syttyviin nesteisiin, kuten bensiiniin.

VAROITUS:

- **Vammojen välttämiseksi käytä aina suojalaseja, hengityssuojaa ja ihosuojaa.**
- **Sähköiskuvaaran välttämiseksi älä altista laitetta sateelle.**
- **Vain kotitalouskäyttöön ulkona.**
- **Älä ruiskuta syttyviä tai palavia nesteitä suljetussa tilassa.** Kun palavaa nestettä ruiskutetaan, on olemassa tulipalon tai räjähdysken vaara, erityisesti suljetuissa tiloissa.
- **Ruiskutusalueella on oltava hyvä ilmanvaihto.**
- **Älä tupakoi ruiskutuksen aikana äläkä ruiskuta paikassa, jossa on kipinöitä tai liekkejä.**
- **Irrota akku aina ennen säiliön täyttämistä. Pyyhi mahdolliset roiskeet ennen akun asettamista paikalleen.** Tämän ohjeen noudattaminen pienentää sähköiskuvaaraa ja syövyttävien nesteiden akkuun pääsyvaaraa, mitkä voivat johtaa akun vikaantumiseen, mukaan lukien oikosulkuun, joka voi aiheuttaa savua, tulipalon ja/tai vakavia henkilövahinkoja.
- **Älä päästä johtavia tai syövyttäviä nesteitä akun sisään.** Jos akun päälle roiskuu johtavia tai syövyttäviä

nesteitä, katso ohjeet akun käyttöoppaasta.

- **Ennen kuin käytät ruiskutusaineita tässä ruiskussa, lue aineen alkuperäispakkauksen etiketti huolellisesti ja noudata sen ohjeita.** Jotkin ruiskutusaineet ovat vaarallisia, eikä niitä saa käyttää tässä ruiskussa, koska ne voivat vahingoittaa ruiskua ja aiheuttaa vakavia henkilövahinkoja tai omaisuusvahinkoja.
- **Tunne ruiskutettavan kemikaalin sisältö. Lue kaikki kemikaalin mukana toimitetut käyttöturvallisuustiedotteet ja pakkausten etiketit.** Noudata kemikaalin valmistajan turvallisuusohjeita.
- **Sähköiskuvaara.** Älä koskaan ruiskuta kohti pistorasioita.
- **Älä kaada säiliöön kuumia tai kiehuvia nesteitä.** Ne voivat heikentää tai vahingoittaa putkia tai säiliötä.
- **Vältä ruiskutusta tuulisinä päivinä.** Ruiskutusaine voi vahingossa lentää kasveihin tai esineisiin, joita ei pitäisi ruiskuttaa.
- **Säilytä ruisku turvallisessa, hyvin ilmastoidussa sisätilassa nestesäiliö tyhjennettynä.**
- **Älä ruiskuta valkaisuainetta tai vetyperoksidia.**
- **Älä ruiskuta alkoholipohjaisia kemikaaleja.**
- **Älä ruiskuta jauheita tai hankaavia kemikaaleja.**
- **Älä ruiskuta syövyttäviä (emäksisiä) tai itsekuumenevia nesteitä.**
- **Älä käytä ympäristölle vaarallisia kemikaaleja, jotka eivät ole sallittuja paikallisten määräysten mukaan.**
- **Älä suuntaa ruiskun suutinta ihmisten tai lemmikkieläinten suuntaan.**
- **Älä anna lasten tai henkilöiden, joilla on alentunut fyysinen, aistillinen tai henkinen toimintakyky tai joilta puuttuu kokemusta ja tietoa tai jotka eivät tunne näitä ohjeita, käyttää laitetta.**
- **Käyttäjät on vastuussa onnettomuuksista tai vaaratilanteista, jotka tapahtuvat muille ihmisille tai heidän omaisuudelleen.**
- **Ruiskua saa käyttää ainoastaan sellaisten kasvinuojeluvälineiden kanssa, jotka paikalliset/kansalliset sääntelyviranomaiset ovat hyväksyneet käytettäväksi reppuriskuissa.**
- **Injektion vaara.** Ei saa ruiskuttaa suoraan ihoa vasten. Pidä kaikki kehon osat ruiskutuskuivon ulkopuolella.
- **Älä jätä säiliöön jäämiä tai ruiskutusainetta ruiskun käytön jälkeen.** Puhdista jokaisen käyttökerran jälkeen.
- **Tulipalo- tai räjähdysvaaran pienentämiseksi käytä**


nestettä, jonka leimahduspiste on yli 60 °C.

- **Sähköiskuvaaran pienentämiseksi älä laita ruiskua veteen tai muuhun nesteeseen. Älä sijoita tai säilytä ruiskua siten, että se voi pudota tai sen voi vetää ammeeseen tai altaaseen.**
- **Pidä tuote kunnossa.** Tarkista ruiskun sisäpuoli ja ulkopuoli huolellisesti ja tutki osat ennen jokaista käyttökertaa. Tarkista, ettei säiliö ole haljennut tai heikentynyt, ettei siinä ole vuotoja, tukkeutuneita suuttimia tai puuttuvia tai vaurioituneita osia. Jos se on vaurioitunut, korjauta se ennen käyttöä. Monet onnettomuudet johtuvat huonosti huolluista tuotteista.
- **Käännä virtakytkin pois päältä, kun ruisku ei ole käytössä ja ennen huoltoa tai puhdistamista.**
- **Irrota akku laitteesta ennen ruiskun tyhjentämistä, puhdistamista tai varastointia.** Tällaiset ennaltaehkäisevät varotoimet vähentävät tahattoman käynnistymisen vaaraa.
- **Käytä aina sellaisia suojalaseja, joissa on sivusuojat.** Tämän ohjeen noudattamatta jättäminen voi aiheuttaa nesteiden pääsyn silmiin, mikä voi johtaa vakaviin vammoihin.
- **Suojaa keuhkojasi. Käytä hyväksytyjä suojarusteita, kuten kasvonaamareita, jotka on suunniteltu suodattamaan erityisesti suihkeita, käseineitä ja muita asianmukaisia suojarusteita.** Tämän ohjeen noudattaminen vähentää vakavien henkilövahinkojen vaaraa. Noudata kemikaalin valmistajan turvallisuusohjeita ja ohjeita, jotka on luettu käyttöturvallisuustiedotteessa.
- **Kemikaalit ja kemikaalihöyryt voivat olla vaarallisia ja aiheuttaa vakavia vammoja, pysyviä vaurioita tai kuoleman, jos niitä niellään, hengitetään tai niitä roiskuu silmiin tai iholle.** Noudata kemikaalin valmistajan turvallisuusohjeita ja ohjeita, jotka on luettu käyttöturvallisuustiedotteessa.
- **Valvo ruiskua tarkasti, jos sitä käytetään lasten lähellä, jotta vältetään loukkaantumisvaara.**
- **Älä koske liikkuviin osiin.**
- **Käytä vain valmistajan suosittelemia tai myymiä lisäosia.**
- **Estä vahingossa käynnistyminen. Varmista, että kytkin on pois päältä, ennen kuin liität akun, nostat laitteen tai kannat laitetta.** Laitteen kantaminen niin, että sormesi on kytkimellä, tai laitteeseen virran kytkeminen kytkin päällä aiheuttaa onnettomuuksia.

SÄILYTÄ NÄMÄ OHJEET

FI

TEKNISET TIEDOT

Nimellisjännite	56 V 
Maks. säiliön tilavuus	15 l
Maks. käyttöpaine	24 bar
Maks. ruiskun virtausnopeus (säädettyvällä suuttimella, ruiskutustilassa)	2,3 l/min
Sisäänmenon suodattimen halkaisija	35 mm
Sisäänmenon suodattimen silmäkoko	0,35 mm
Ulosmenon suodattimen halkaisija	124 mm
Paino (kuivapaino, ilman akkua)	7,6 kg
Suosittelut käyttölämpötila	5-40 °C
Suosittelut säilytyslämpötila	-20-70 °C
Suosittelut latauslämpötila	5-40 °C

VAROITUS: Varmista ennen selässä kannettavan ruiskun käyttöä, että sen kokonaispaino, mukaan lukien kone, säiliössä oleva neste sekä käytetty suutin ja akku, ei ole yli 25 kg, jotta vältät loukkaantumiset ja tasapainon menettämisen.

- Ilmoitettu tärinän kokonaispäästöarvo on mitattu standarditestausten mukaisesti, ja sen avulla voidaan vertailla työkaluja keskenään;
- Ilmoitettua tärinän kokonaispäästöarvoa voidaan käyttää myös altistumisen alustavaan arviointiin.

HUOMAUTUS: Työkalun käytön aikana mitattu todellinen tärinäpäästöarvo voi poiketa ilmoitetusta kokonaispäästöarvosta työkalun käyttötavasta johtuen; käyttäjän suojaamiseksi tulee käyttää käsineitä ja kuulosuojaimia varsinaisissa käyttöolosuhteissa.

PAKKAUSLUETTELO (KUVA A1)

KUVAUS

TUNNE RUIKSI (KUVA A1)

1. Letku
2. Akun lokero
3. Säiliö
4. Säiliön korkki
5. Kantokahva
6. Säädettyvät tukivaljaat
7. Nopeussäädin
8. Lukitusvipu
9. Virtaliipaisin
10. Ohjaukakahva
11. Päätytulppa
12. Ruiskuvarsi
13. Säädettyvä suutin
14. Puhallinsuutin
15. Vaahdotussuutin
16. Suihkusuutin

KOKOAMINEN

VAROITUS: Jos jokin osa on vahingoittunut tai puuttuu, älä käytä tuotetta ennen kuin osat on vaihdettu. Tuotteen käyttö vioittuneilla tai puuttuvilla osilla voi aiheuttaa vakavan henkilövahingon.

VAROITUS: Älä yritä muuttaa tätä tuotetta tai käyttää siinä lisävarusteita, joita ei ole suunniteltu käytettäväksi tämän tuotteen kanssa. Mikä tahansa tällainen muokkaus tai muutos on vääriinkäytös ja saattaa aiheuttaa vaarallisen tilan, joka saattaa johtaa vakavaan henkilövahintaan.

VAROITUS: Poista akku koneesta aina, kun kokoat osia, teet säätöjä tai puhdistat konetta tai kun et käytä sitä. Näin varmistat, ettei kone käynnisty vahingossa eikä aiheuta vakavia henkilövahinkoja.

- Tuote vaatii kokoamisen.
- Poista tuote ja kaikki lisävarusteet varovasti pakkauksesta. Varmista, että kaikki pakkausluettelon osat ovat mukana.
- Tarkasta tuote huolellisesti varmistaaksesi, ettei tuote ole rikkoutunut tai vaurioitunut kuljetuksen aikana.
- Älä hävitä pakkausmateriaalia ennen kuin olet tarkastanut tuotteen huolellisesti ja käyttänyt sitä

tydyttävästi.

- Jos osat ovat vaurioituneet tai niitä puuttuu, palauta tuote ostopaikkaan.

RUISKUVARREN LIITTÄMINEN OHJAUSKAHVAAN

1. Pujota ruiskuvarren päätytulppa ohjauskahvaan ja kiristä tiukasti myötöpäivään (kuva B).
2. Vedä ruiskuvarresta varmistaaksesi, että se on kunnolla kiinnitetty.

KÄYTTÖ

VAROITUS: Älä anna tämän laitteen tuttuuden tehdä sen käsittelystä huolimattomuutta. Muista, että sekunnin sadasosan kiinnitys riittää vakavan vamman aiheutumiseen.

VAROITUS: Käytä suojavarusteita. Suojaa silmät, iho ja keuhkot, kun sekoitat ainetta, täytät, ruiskutat ja puhdistat. Tämän ohjeen noudattamatta jättäminen voi johtaa vakaviin henkilövahinkoihin ja omaisuusvahinkoihin.

VAROITUS: Vakavien henkilövahinkojen välttämiseksi poista akku laitteesta ennen huoltoa, puhdistusta, lisäosien vaihtamista, säiliön täyttämistä tai tyhjentämistä.

VAROITUS: Älä käytä lisälaitteita tai lisävarusteita, jos tämän tuotteen valmistaja ei ole suositellut niitä. Tällaisten lisävarusteiden tai apuvälineiden käyttö saattaa aiheuttaa vakavia henkilövahinkoja.

Ennen jokaista käyttökertaa tarkista laite kokonaisuudessaan vahingoittuneiden, puuttuvien tai löysin osien varalta (esim. mutterit, pultit, korkit yms.). Kiinnitä kaikki kiinnittimet ja korkit tiukasti äläkä käytä laitetta ennen kuin kaikki puuttuvat tai vahingoittuneet osat on vaihdettu.

KÄYTTÖTARKOITUS

Tätä laitetta voi käyttää seuraavassa mainittuihin tarkoituksiin:

- Lannoitteiden levittäminen ja kasvien kastelu.
- Rikkakasvien torjunta-aineiden, kasvinsuojeluaineiden ja sienitautien torjunta-aineiden ruiskuttaminen.

HUOMAUTUS: Tuote on tarkoitettu ainoastaan puutarha- ja maatalouskäyttöön.

HUOMAUTUS: Tuotetta tulee käyttää vain sille tarkoitettuun tarkoitukseen. Kaikki muu käyttö katsotaan

väärinkäyttöksi.

VAROITUS: Kemikaalien tai liuosten virheellinen käyttö voi johtaa VAKAVIIN VAMMOIHIN tai KUOLEMAAN. Noudata kemikaalin valmistajan turvallisuusohjeita ja ohjeita, jotka on luetteltu käyttöturvallisuustiedotteessa.

SÄILIÖN TÄYTTÄMINEN (kuva C)

VAROITUS: Noudata aina kemikaalin valmistajan ohjeita, jotka on painettu tuotteen etikettiin koskien käyttöä, puhdistusta ja varastointia. Älä yhdistä kemikaaleja. Puhdista säiliö huolellisesti jokaisen käyttökerran jälkeen käyttöoppaan kohdassa "KUNNOSSAPITO" annettujen ohjeiden mukaisesti. Kemikaalit on säilytettävä lasten ulottumattomissa. Tämän ohjeen noudattamatta jättäminen saattaa aiheuttaa vakavan henkilövahingon.

VAROITUS: Loukkaantumisen ja tasapainon menettämisen välttämiseksi varmista, että säiliöön lisätyn nesteen määrä ei saa ruiskun kokonaispainoa 25 kg ylittymään, mukaan lukien kone, säiliössä oleva neste sekä käytetty suutin ja akku.

Ruiskutettavien nestemäisten kemikaalien on oltava yhtä ohuita kuin vesi. Paksummat nesteet eivät ruiskua kunnolla. Älä täytä säiliötä liikaa.

1. Poista akku.
2. Kierrä säiliön korkki irti vastapäivään ja irrota se säiliöstä.
3. Aseta ruisku tasaiselle alustalle.
4. Täytä säiliöön haluttu vesimäärä.
5. Mittaa suositeltu määrä nestemäistä kemikaalia.
6. Kaada nestemäinen kemikaali varovasti säiliöön.
7. Kierrä säiliön korkki takaisin ruiskuun ja varmista, että se on tiukasti kiinni.

Ruiskutettavat liuokset voidaan sekoittaa valmiiksi ja kaataa ruiskuun.

HUOMAUTUS: Jos käytät nesteen säilyttämiseen mitta-astiaa, puhdista ja huuhtelee astia huolellisesti käytön jälkeen. Jos ruiskutettava liuos sekoitetaan valmiiksi, huuhtelee sekoittamiseen käytetty astia.

HUOMAUTUS: On tärkeää puhdistaa ruisku huolellisesti jokaisen käyttökerran jälkeen. Jos nesteen annetaan olla käyttämättömässä ruiskussa pitkään, sen liikkuvat osat ja liittimet voivat tarttua kiinni.

AKUN LIITTÄMINEN/POISTAMINEN

Käytä vain EGO:n akkuja ja latureita, jotka on luettelut alla kuvassa A2.

Lisätietoja on vastaavien akkujen ja latureiden käyttöohjeissa.

Lataa täyteen ennen ensimmäistä käyttökertaa.

1. Nosta akkulokeron kansi ylös nostamalla kannen etuosaa (kuva D1).
2. **Kiinnitä** asettamalla akun ulokkeet kiinnitysaukkoihin ja paina akkua alaspäin, kunnes kuulet "napsahduksen" (Kuva D1).
3. **Poista** painamalla akun vapautuspainiketta ja vetämällä akku ulos (kuva D2).
4. Sulje akkulokeron kansi.

FI

VAROITUS: Huomioi aina missä omat jalkasi, lapset tai lemmikit ovat, kun painat akun vapautuspainiketta. Jos akku putoaa, se voi aiheuttaa vakavan vamman. Älä KOSKAAN poista akkua, jos se on korkealla.

VAROITUS: Varmista, että ruiskun salpa napsahtaa paikalleen, että akku on kiinnitetty ruiskuun ja akkulokeron kansi on täysin kiinni ennen käytön aloittamista. Jos akkua ei kiinnitetä kunnolla, akku voi pudota, mikä voi aiheuttaa vakavia henkilövahinkoja.

VAROITUS: Vakavien henkilövahinkojen välttämiseksi poista aina akku ja pidä kädet poissa ohjauskahvasta, kun nostat tai kuljetat ruiskua.

SELÄSSÄ KANNETTAVAN RUISKUN SIOITTAMINEN

VAROITUS: Pukeudu asianmukaisesti välttääksesi loukkaantumisvaaran laitetta käytettäessä. Älä käytä väliä vaatteita tai koruja. Käytä suojalaseja. Käytä paksuja, pitkälahkeisia housuja, kunnollisia jalkineita ja suojakäsineitä. Älä käytä lyhyitä housuja, sandaaleita tai ole paljain jaloin.

Varmista ennen selässä kannettavan ruiskun käyttöä, että käyttäjällä on suojalasit ja asianmukainen vaateus ja että hän pystyy säilyttämään tukevan ja tasapainoisen seisoma-asennon.

Tukivaljaiden säätäminen

1. Työnnä kätesi valjaiden hihnojen läpi, jotta saat ruiskun selkääsi.
2. Säädä kumpikin olkahihna itsellesi miellyttävään asentoon (kuva E1) varmistaen, että kyynärpäsi on mukavasti.
3. Napsauta rintasolkea ja säädä rintahihnan pituutta tarvittaessa (kuva E2).

4. Napsauta vyötärösolkea ja säädä vyötäröhihna sellaiseen pituuteen, että selkäreppu on kunnolla tuettu lanteeseen (kuvat E3 ja E4).

HUOMAA: Selkäreppu ei saa olla liian korkealla selässä; sen tulee olla lähempänä lannetta kuin olkapäitä.

VAROITUS: Hätätilanteessa vapauta rinta- ja vyötärösoljet välittömästi ja irrota selkäreppun hihna kummaltakin puolelta. Tämä on nopea vapautusmenetelmä.

5. Säädä olkahihnat uudelleen turvallisuuden ja mukavuuden takia. Varmista, että selkäreppu istuu tukevasti selässäsi, vyötäröhihna tukee sen painoa, eikä se siirry, kun liikut (kuva E5).
6. Työnnä kaikki ylimääräinen hihnanpituus vyötärön ympäriltä kummassakin sivussa olevaan joustavaan pidikkeeseen (kuva E6).
7. Voit irrottaa selkäreppun selästä avaamalla vyötärö- ja rintahihnan niiden solkia painamalla, laske sitten ruisku alas (kuva E7).

RUISKUN KÄYNNISTÄMINEN/PYSÄYTTÄMINEN (KUVA F)

Nopeussäädin

1. Voit lisätä virtausnopeutta kääntämällä nopeussäädintä myötäpäivään.

F-1	Nopeussäädin	F-3	Virtaliipaisin
F-2	Lukitusvipu		

2. Jos haluat pienentää virtausnopeutta, käännä nopeussäädintä vastapäivään.
3. Ruiskutus pysähtyy jos käännät säätimen "OFF"-asentoon saakka.

VAROITUS: Voit estää tahattoman käynnistyksen kääntämällä nopeussäätimen off-asentoon (punainen piste säätimessä osoittaa kohti ruiskuvartta).

VAROITUS: Käännä nopeussäädin aina off-asentoon (punainen piste säätimessä osoittaa kohti ruiskuvartta) ennen kuin varastoit koneen, jätät sen pitkäksi aikaa käyttämättömäksi tai vaihdat akun.

Virtaliipaisin

1. Kytke ruisku päälle painamalla virtaliipaisinta.
2. Pysäytä virtaus vapauttamalla liipaisin.

Lukitusvipu

Lukitusvipu on kätevä, kun ruiskutetaan pitkiä aikoja tai kun ruiskutetaan suurta aluetta.

1. Jos haluat lukita virtaliipaisimen päälle, paina lukitusvipua liipaisimen puristamisen jälkeen.
2. Voit vapauttaa virtaliipaisimen vetämällä lukitusvivusta.

HUOMAUTUS: Varmista, että liipaisin ei ole lukittu ennen kuin asetat akun ruiskuun.

SUUTTIMIEN SÄÄTÄMINEN JA VAIHTAMINEN

VAROITUS: Vakavien henkilövahinkojen välttämiseksi irrota akku ennen suuttimien säätämistä tai vaihtamista.

Ruiskussa on mukana neljä suutinta: Säädettävä suutin, puhallinsuutin, suihkusuutin ja vaahdotussuutin. Vaihda suutin tehtävään sopivaksi ennen työskentelyä aloittamista.

Säädettävä suutin (kuva G1): Kukkapenkkiä, kulkuväyliä, ajoteiden, terrassien sekä puiden ja pensaiden ympärillä olevien kohteiden ruiskuttaminen. Aitojen, ajoteiden ja kulkuväylien reunukset. Pensaiden tuholistorjunta.

Puhallinsuutin (kuva G3): Litteä suihku erittäin laajaan peittävyteen ja korkeaviskositeetin nesteisiin. Suurten alueiden valmistelu istuttamista varten.

G-1	Puhallinsuutin	G-3	Vaahdotussuutin
G-2	Suihkusuutin		

Suihkusuutin (kuva G3): Tuottaa suuremman vesimäärän kasvien kasteluun ja hoitoon.

Vaahdotussuutin (kuva G3): Merkitsee näkyvästi käsitellyt rikkaruohot. Rikkaruohojen ruiskutus nurmikolla, kukkapenkkiä, puiden ja pensaiden ympärillä. Aitojen, ajoteiden ja kulkuväylien reunukset.

Säädettävää suutinta voidaan säätää virtauksen ja suihkun välillä (kuva G1).

1. Käännä suuttimen uurrettua (kuvioitua) osaa vastapäivään virtausta varten.
2. Käännä suuttimen uurrettua (kuvioitua) osaa myötäpäivään suihkua varten.

Irrota ja vaihda suutin kääntämällä koko suutinta vastapäivään (kuva G2).

Ruiskun mukana tulevien eri suuttimien virtausnopeudet:

	Nimellinen virtausnopeus (l/min)	Suurin käyttöpaineline (l/min)	Optimaalinen käyttöpaineline (l/min)
Säädettävä suutin	2,3	2,7	2,4
Puhallinsuutin	2,3	2,7	2,4
Suihkusuutin	2,3	2,9	2,7
Vaahdotussuutin	2,3	2,7	2,4

KOTI- JA PUUTARHAKEMIKAALIEN RUIKUTUS (kuva H)

VAROITUS: Älä koskaan suuntaa varren suutinta itseäsi tai muita kohti.

VAROITUS: Älä koskaan tupakoi, syö tai juo ruiskun käytön aikana.

VAROITUS: Älä koskaan ruiskuta ihmisten tai eläinten suuntaan; ruiskuta aina myötätuuleen.

VAROITUS: Tulipalo- tai räjähdysvaara. Ruiskutusalueella on oltava hyvä ilmanvaihto ja sen on oltava kaukana kipinöistä tai liekeistä.

1. Aseta akku paikalleen.
2. Aseta haluttu virtausnopeus kääntämällä nopeussäädintä.
3. Kohdistu ruiskun suutin suoraan ruiskutettaviin kasveihin tai kohteisiin.

HUOMAA: Varmista, että seisot riittävän kaukana ruiskutettavasta kohteesta, jotta suihku ei roisku siit päällesi.

4. Käynnistä ruisku painamalla liipaisinta.
5. Pysäytä ruiskun vapauttamalla liipaisimen.
6. Tyhjennä ja puhdista säiliö aina jokaisen käyttökerran jälkeen kohdan "KUNNOSSAPITO" ohjeiden mukaisesti.

KÄYTTÖVINKKEJÄ

- Säädä valjaiden olkahihnat niin, että ruisku on vyötärösi yläpuolella ja säiliö on selkäsi vasten.
- Vältä ruiskutusta tuulisina päivinä. Ruiskutusaine voi vahingossa lentää kasveihin tai esineisiin, joita ei

pitäisi ruiskuttaa.

- Ruiskuta varhain aamulla tai myöhään iltapäivällä, erityisesti lämpimällä säällä. Liiallinen kuumuus voi haihduttaa suihkeen ennen kuin se laskeutuu.

KUNNOSSAPITO

VAROITUS: Käytä huollon yhteydessä vain identtisiä varaosia. Muiden osien käyttö saattaa aiheuttaa vaaran tai laitteen vaurioitumisen. Pätevän huoltoteknikon tulee suorittaa kaikki korjaukset, jotta voidaan taata tuotteen turvallinen ja luotettava käyttö.

VAROITUS: Vakavien henkilövahinkojen välttämiseksi irrota akku ruiskusta ennen huoltoa, puhdistamista, suuttimien vaihtoa, kunnossapitotoimenpiteitä tai kun ruisku ei ole käytössä. Akkukäyttöinen laite, jossa on akku paikallaan, on aina päällä ja voi käynnistyä vahingossa.

YLEINEN KUNNOSSAPITO

Kaikki ruiskun huoltotoimet, muut kuin näissä kunnossapito-ohjeissa luetellut, tulee antaa valtuutettujen huoltohenkilöiden suoritettaviksi.

PUHDISTAMINEN

Vältä liuotainaineiden käyttöä, kun puhdistat muoviosia. Useimmat muovit ovat herkkiä vaurioitumaan erilaisista kaupallisista liuottimista ja voivat vaurioitua niiden käytöstä. Poista lika, pöly, öljy, rasva ym. puhtaalla liinalla.

VAROITUS: Älä anna jarrunesteiden, bensiinin, ruosteen irrotusaineiden tai muiden öljypohjaisten tuotteiden joutua kosketuksiin muoviosien kanssa. Kemikaalit saattavat vahingoittaa, heikentää tai tuhota muovia, mikä saattaa aiheuttaa vakavan henkilövamman.

VAROITUS: Kun puhdistat ruiskua, ÄLÄ upota sitä veteen tai muihin nesteisiin.

VAROITUS: Säilytä ja hävitä kemikaalit aina asianmukaisesti. Saastunut huuhteluvesi on hävitettävä paikallisten asetusten ja lakien mukaisesti.

- Jos säiliöön jää nestettä ruiskutuksen jälkeen, tyhjennä säiliö ennen puhdistamista.
- Käytä vain pehmeää, kuivaa liinaa säiliön ulkopintojen puhdistamisessa. Älä käytä koskaan puhdistusaineita tai alkoholia.
- Täytä säiliöstä noin kolmannes puhtaalla vedellä. Ruiskuta, kunnes säiliö on tyhjä. Varmista, että suuntaat ruiskutuksen alueelle, joka ei vahingoitu ruiskutusluoksesta.

- Täytä ja toista menettely puhtaalla vedellä. Säiliö voidaan joutua huuhtelemaan useamminkin kerran ja tyhjentämään se sitten edellä esitetyllä tavalla.
- Anna kaikkien osien kuivua täysin ennen kuin kokoat laitteen uudelleen ja varastoit sen.

SUUTTIMEN KUNNOSSAPITO

VAROITUS: Varmista, että kaikki suuttimien kunnossapitotoimet suoritetaan asianmukaisesti vesivuotojen estämiseksi. Vuodot voivat aiheuttaa liukkaan pinnan, joka aiheuttaa liukastumis- ja kaatumisvaaran tai omaisuusvahinkoja.

Epäsäännölliset ruiskutuskuviot tai vuodot voivat johtua tukkeutuneesta tai liikaisesta suuttimesta.

1. Kytke ruisku pois päältä ja poista akku.
2. **Säädettävän suuttimen puhdistaminen (kuva I1):**
 - a. Kierrä irti ja poista säädettävän suuttimen uurrettu (kuviotu) osa.
 - b. Työnnä ohut lanka (ei mukana) poikkireikien läpi mahdollisten roskien poistamiseksi. Huuhtele tarvittaessa poikkireiät ja suutin puhtaalla vedellä.
 - c. Pyyhi suutin puhtaalla kuivalla liinalla ja asenna suutin takaisin.
3. **Puhallinsuuttimen ja vaahdotussuuttimen puhdistaminen (kuva I2):**
 - a. Kierrä suutin irti ja poista se ruiskuvarresta.
 - b. Työnnä ohut lanka (ei mukana) reian läpi mahdollisten roskien poistamiseksi. Huuhtele suutin tarvittaessa puhtaalla vedellä.
 - c. Pyyhi suutin puhtaalla kuivalla liinalla ja asenna suutin takaisin.

KULJETUS JA VARASTOINTI (kuva J)

- Poista akku.
- Käännä nopeussäädin off-asentoon (punainen piste säätimessä osoittaa kohti ruiskuvartta).
- Puhdista ruisku perusteellisesti.
- Tyhjennä säiliö, letku ja ruiskuvarsi.

HUOMAUTUS: Varmista, että säiliö, letku ja ruiskuvarsi on tyhjennetty ennen varastointia ja erityisesti ennen talvisäilytystä, jotta kone ei pääse jäätymään ja vahingoittumaan, jolloin se ei käynnisty talvisäilytyksen jälkeen.

- Kiinnitä ruiskuvarsi alustaan ja säilytyspidikkeeseen.

J-1	Säilytyspidike	J-3	Kantokahva
J-2	Alusta		

- Nosta ruisku kantokahvasta tai kannu sitä kuljetuksen aikana käyttäen tukivaljaita.
- Säilytä ruisku sisätiloissa, hyvin ilmastoidussa paikassa.
- Pidä poissa syövyttävien aineiden, kuten puutarhakemikaalien ja jäänestosuolojen, läheltä.

Ympäristönsuojelu



Älä hävitä sähkölaitteita, käytettyjä akkuja tai laturia kotitalousjätteen seassa!

Vie tämä tuote hyväksytyyn kierrätyspaikkaan tai anna se erilliseen keräilyyn. Sähkötyökalut tulee palauttaa asianmukaiseen ympäristöystävälliseen kierrätyslaitokseen.

FI

VIANMÄÄRITYS

ONGELMA	SYY	RATKAISU
Ruisku ei käynnisty.	<ul style="list-style-type: none"> ■ Akkua ei ole asetettu kunnolla akkulokeroon. ■ Ruiskun ja akun välillä ei ole sähköyhteyttä. ■ Akun varaus on tyhjentynyt. ■ Akku tai ruisku on ylikuumentunut. 	<ul style="list-style-type: none"> ■ Tarkista, onko akku asetettu kunnolla akkulokeroon. ■ Poista akku, tarkista koskettimet ja asenna akku uudelleen paikalleen. ■ Lataa akku. ■ Sammuta ruisku ja anna akun tai ruiskun jäähtyä, kunnes lämpötila laskee suositellulle käyttölämpötila-alueelle.
Moottori käy, mutta suuttimesta ei tule suihkua.	<ul style="list-style-type: none"> ■ Alhainen nestetaso säiliössä. ■ Suutin tukkeutui käytön aikana. 	<ul style="list-style-type: none"> ■ Tarkista ja varmista, että säiliössä on riittävästi nestettä. ■ Puhdista suutin (suuttimet) luvun ”SUUTTIMEN KUNNOSSAPITO” mukaisesti ja asenna ne uudelleen ohjeiden mukaisesti.
Nestettä vuotaa ohjauskahvan ja varren välistä.	<ul style="list-style-type: none"> ■ Varren päätytulppa on löysällä. 	<ul style="list-style-type: none"> ■ Kiristä päätytulppa.
Nestettä vuotaa ruiskubarren ja suuttimen välistä.	<ul style="list-style-type: none"> ■ Suutin on löysällä tai väärin asennettu. 	<ul style="list-style-type: none"> ■ Asenna suutin takaisin oikein ja tiiviisti luvun ”SUUTTIMIEN SÄÄTÄMINEN JA VAIHTAMINEN” mukaisesti.

FI

TAKUU

EGON TAKUUEHDOT

Verkkosivustolta egopowerplus.eu löydät EGO:n takuukäytännön täydelliset ehdot.

LES ALLE INSTRUKSJONER!



LES BRUKERHÅNDBOKEN

⚠ ADVARSEL: For å sikre sikkerhet og pålitelighet bør alle reparasjoner utføres av en kvalifisert servicetekniker.

⚠ ADVARSEL: Sørg for å lese og forstå alle sikkerhetsinstruksjoner i denne brukerhåndboken, inkludert alle sikkerhetsvarselsymboler som "FARE", "ADVARSEL" og "FORSIKTIG" før du bruker dette verktøyet. Unnlattelse av å følge alle instruksjonene nedenfor kan føre til elektrisk støt, brann og/eller alvorlig personskade.

LAGRE ALLE ADVARSLER OG INSTRUKSJONER FOR FREMTIDIG REFERANSE.

SIKKERHETSSYMBOLER

⚠ ADVARSEL: Bruk av hvilke som helst elektroverktøy kan føre til at fremmedlegemer blir kastet mot øynene, noe som kan gi alvorlige øyeskader. Før du begynner å bruke elektroverktøyet, skal du alltid ta på vernebriller eller vernebriller med sidebeskyttelse, og en full ansiktsskjerm der det trengs. Vi anbefaler en Wide Vision Safety Mask til bruk over briller, eller standard vernebriller med sidebeskyttelse.

NO



Sikkerhetsvarsel



For at risikoen for personskader skal unngås må brukeren lese og forstå bruksanvisningen før produktet tas i bruk.



Bruk verneklær.



Hold tilskuere unna når du sprøyter.



Bruk ansiktsskjerm.



Dette produktet er i samsvar med gjeldende EU-direktiver.



Garantert lydeffektnivå. Støy i omgivelsene er i henhold til EUs direktiv.



Dette produktet er i samsvar med gjeldende britisk lovgivning.



Elektrisk avfall skal ikke kastes sammen med husholdningsavfall. Send til en autorisert gjenvinner.

IPX4

Beskyttelse mot vannsprut



Likestrøm

./min

Per minutt

V

Spenning

n_0

Hastighet uten last

mm

Millimeter

GENERELLE SIKKERHETSADVARSLER

⚠ ADVARSEL: Les alle sikkerhetsadvarsler, instruksjoner, illustrasjoner og spesifikasjoner som følger med denne maskinen. Unnlatelse av å følge alle instruksjonene nedenfor kan føre til elektrisk støt, brann og/eller alvorlig skade.

Lagre alle advarsler og instruksjoner for fremtidig referanse.

Begrepet "maskin" i advarslene refererer til din nettdrevne (med ledning) maskin eller batteridrevne (trådløse) maskin.

SIKKERHET I ARBEIDSRÅDET

- **Hold arbeidsområdet rent og godt opplyst.** Rotete eller mørke områder inviterer til ulykker.
- **Ikke bruk maskiner i eksplosive atmosfærer, for eksempel i nærvær av brennbare væsker, gasser eller støv.** Maskiner lager gnister som kan antenne støv eller røyk.
- **Hold barn og tilskuere unna mens du bruker en maskin.** Distraksjoner kan føre til at du mister kontrollen.

ELEKTRISK SIKKERHET

- **Maskinpluggene må passe til stikkkontakten.** Modifiser aldri støpselet på noen måte. **Ikke bruk noen adapterplugger med jordede (jordede) maskiner.** Umodifiserte støpsler og matchende stikkontakter vil redusere risikoen for elektrisk støt.
- **Unngå kroppskontakt med jordete overflater som rør, radiatorer, komfyrer og kjøleskap.** Det er en økt risiko for elektrisk støt hvis kroppen din er jordet eller jordet.
- **Ikke utsett maskiner for regn eller våte forhold.** Vann som kommer inn i en maskin vil øke risikoen for elektrisk støt.
- **Ikke utsett ledningen for feil behandling. Bruk aldri ledningen til å bære, trekke eller koble fra maskinen. Hold ledningen unna varme, olje, skarpe kanter eller bevegelige deler.** Skadede eller sammenfiltrede ledninger øker risikoen for elektrisk støt.
- **Når du bruker en maskin utendørs, bruk en skjoteledning som er egnet for utendørs bruk.** Bruk av en ledning egnet for utendørs bruk reduserer risikoen for elektrisk støt.
- **Hvis det er uunngåelig å bruke en maskin på et fuktig sted, bruk en jordfeilbryter (RCD) beskyttet forsyning.** Bruk av en jordfeilbryter reduserer risikoen

for elektrisk støt.

PERSONLIG SIKKERHET

- **Vær på vakt, se hva du gjør og bruk sunn fornuft når du bruker en maskin. Ikke bruk en maskin mens du er trett eller påvirket av narkotika, alkohol eller medisiner.** Et øyeblikks uoppmerksomhet under bruk av maskiner kan føre til alvorlig personskade.
- **Bruk personlig verneutstyr. Bruk alltid vernebriller.** Verneutstyr som støvmaske, sklisikre vernesko, hjelm eller hørselsvern når omgivelsene krever det, reduserer risikoen for personskader.
- **Forhindre utilsiktet start. Sørg for at bryteren er i av-posisjon før du kobler til strømkilden og/eller batteripakken, plukker opp eller bærer maskinen.** Å bære maskiner med fingeren på bryteren eller energigivende maskiner som har bryteren på, inviterer til ulykker.
- **Fjern eventuell justeringsnøkkel eller skiftenøkkel før du slår på maskinen.** En skiftenøkkel eller en nøkkel som er festet til en roterende del av maskinen kan føre til personskade.
- **Ikke overdriv. Hold riktig fotfeste og balanse til enhver tid.** Dette gir bedre kontroll over maskinen i uventede situasjoner.
- **Kle deg skikkelig. Ikke bruk løse klær eller smykker. Hold hår og klær på avstand fra bevegelige deler.** Løse klær, smykker eller langt hår kan sette seg fast i bevegelige deler.
- **Hvis det leveres enheter for tilkobling av støvavsug og oppsamlingsanlegg, sørg for at disse er tilkoblet og riktig brukt.** Bruk av støvopsamling kan redusere støvrelaterede farer.
- **Ikke la kjennskap oppnådd ved hyppig bruk av maskiner tillate deg å bli selvtilfreds og ignorere maskinsikkerhetsprinsipper.** En uforsiktig handling kan forårsake alvorlig skade i løpet av en brøkdell av et sekund.

MASKINBRUK OG STELL

- **Ikke tving maskinen. Bruk riktig maskin for din applikasjon.** Riktig maskin vil gjøre jobben bedre og sikrere med den hastigheten den ble designet for.
- **Ikke bruk maskinen hvis bryteren ikke slår den av og på.** Enhver maskin som ikke kan kontrolleres med bryteren er farlig og må repareres.
- **Koble støpselet fra strømkilden og/eller fjern batteripakken, hvis den kan tas av, fra maskinen før du foretar justeringer, skifter tilbehør eller oppbevarer maskiner.** Slike forebyggende sikkerhetstiltak reduserer risikoen for å starte

maskinen ved et uhell.

- **Oppbevar inaktive maskiner utilgjengelig for barn og la ikke personer som ikke er kjent med maskinen eller disse instruksjonene bruke maskinen.** Maskiner er farlige i hendene på utrente brukere.
- **Vedlikehold maskiner og tilbehør. Sjekk for feiljustering eller binding av bevegelige deler, brudd på deler og andre forhold som kan påvirke maskinens drift. Hvis den er skadet, få maskinen reparert før bruk.** Mange ulykker er forårsaket av dårlig vedlikeholdte maskiner.
- **Hold skjæreverktøy skarpe og rene.** Riktig vedlikeholdt skjæreverktøy med skarpe skjærekanter har mindre sannsynlighet for å binde seg og er lettere å kontrollere.
- **Bruk maskinen, tilbehør og maskinbits etc. i samsvar med disse instruksjonene, og ta hensyn til arbeidsforholdene og arbeidet som skal utføres.** Bruk av maskinen til andre operasjoner enn de tiltenkte kan føre til en farlig situasjon.
- **Hold håndtak og gripeflater tørre, rene og fri for olje og fett.** Glatte håndtak og gripeflater tillater ikke sikker håndtering og kontroll av maskinen i uventede situasjoner.

BRUK OG STELL AV BATTERIMASKINEN

- **Lad kun med laderen spesifisert av produsenten.** En lader som er egnet for én type batteripakke kan skape brannfare når den brukes med en annen batteripakke.
- **Bruk kun maskiner med spesifikt utpekte batteripakker.** Bruk av andre batteripakker kan skape risiko for skader og brann.
- **Når batteriet ikke er i bruk skal det holdes unna andre metallgjenstander som binders, mynter, nøkler, spikere, skruer eller andre små metallgjenstander som kan lage forbindelse fra én terminal til en annen.** Kortslutning av batteripolene kan forårsake brannskader eller brann.
- **Under farlige forhold kan væske komme ut av batteriet. Unngå kontakt med denne. Hvis kontakt oppstår ved et uhell, skyll med vann. Får du væske i øynene, skal det i tillegg søkes medisinsk hjelp.** Væske som blir slynget ut av batteriet, kan forårsake irritasjon eller brannskader.
- **Ikke bruk en batteripakke eller maskin som er skadet eller modifisert.** Skadede eller modifiserte batterier kan vise uforutsigbar oppførsel som resulterer i brann, eksplosjon eller fare for skade.

- **Ikke utsett en batteripakke eller maskin for brann eller høy temperatur.** Eksponering for brann eller temperatur over 130°C kan forårsake eksplosjon.
- **Følg alle ladeinstruksjoner og ikke lad batteripakken eller maskinen utenfor temperaturområdet spesifisert i instruksjonene.** Feil lading eller ved temperaturer utenfor spesifisert område kan skade batteriet og øke risikoen for brann.

SERVICE

- **Få service på maskinen av en kvalifisert reparasjonsperson som kun bruker identiske reservedeler.** Dette vil sikre at sikkerheten til maskinen opprettholdes.
- **Batteripakker som er skadet, må aldri brukes.** Service på batteripakker må bare utføres av produsenten eller autoriserte tjenesteleverandører.

NO

SIKKERHETSINSTRUKSJONER FOR TRÅDLØS SPRYTE

FARE: Risiko for brann eller eksplosjon. Ikke spray brennbare væsker som bensin.

ADVARSEL:

- **For å unngå skade, bruk alltid øye-, puste- og hudbeskyttelse.**
- **For å redusere risikoen for elektrisk støt, ikke utsett for regn.**
- **Kun til husholdning og utendørs bruk.**
- **Ikke spray brennbare eller brennbare væsker i et avgrenset område.** Når en brennbar væske sprayes, er det fare for brann eller eksplosjon, spesielt i et avgrenset område.
- **Sprøyteområdet må være godt ventilert.**
- **Ikke røyk mens du sprayer eller spray der det er gnister eller berømmelse.**
- **Fjern alltid batteripakken før du fyller tanken. Tørk opp søl før du setter inn batteripakken.** Å følge denne regelen vil redusere risikoen for elektrisk støt og at etsende væsker kommer inn i batteripakken, noe som kan forårsake feil på batteripakken, inkludert kortslutning, som resulterer i røyk, brann og/eller alvorlig personskade.
- **Ikke la ledende eller etsende væsker komme inn i batteripakken.** Hvis ledende eller etsende væsker søles på batteripakken, se instruksjonene i batteripakkens brukerhåndbok.
- **Før du bruker spraymaterialer i denne sprøyten, les**

etiketten på materialets originale beholder grundig og følg instruksjonene. Noen spraymaterialer er farlige og bør ikke brukes i denne sprøyten, da de kan skade sprøyten og forårsake alvorlig personskade eller skade på eiendom.

- **Kjenn innholdet i kjemikallet som sprøytes. Les alle sikkerhetsdatablader (SDS) og beholderetiketter som følger med kjemikallet.** Følg kjemikalieproduzentens sikkerhetsinstruksjoner.
- **Fare for elektrisk støt.** Spray aldri mot stikkontakter.
- **Ikke hell varme eller kokende væsker i tanken.** Disse kan svekke eller skade rørene eller tanken.
- **Unngå sprøyting på vindfulle dager.** Spray kan ved et uhell blåses på planter eller gjenstander som ikke bør sprayes.
- **Oppbevar sprøyten på et sikkert, godt ventilert innendørsrom med tom væsketank.**
- **Ikke spray blekemiddel eller hydrogenperoksid.**
- **Ikke spray alkoholbaserte kjemikalier.**
- **Ikke spray pulver eller skurende kjemikalier.**
- **Ikke spray etsende (alkali) eller selvoppvarmende væsker.**
- **Ikke bruk miljøfarlige kjemikalier som ikke er tillatt som definert av lokale forskrifter.**
- **Ikke rett sprøytedysen i retning av mennesker eller kjæledyr.**
- **La aldri barn, personer med reduserte fysiske, sensoriske eller mentale evner eller mangel på erfaring og kunnskap, eller personer som ikke er kjent med disse instruksjonene, bruke elektroverktøyet.**
- **Operatøren er ansvarlig for skade som skjer på andre folk eller annens eiendom.**
- **Sprøyten skal kun brukes med plantevernmidler som er godkjent av lokale/nasjonale tilsynsmyndigheter for plantevernmidler for bruk med ryggsprøyter.**
- **Risiko for injeksjon.** Ikke tøm direkte mot huden. Hold alle kroppsdeler utenfor sprøytemønsteret.
- **Ikke la rester eller spraymateriale ligge i tanken etter bruk av sprøyten.** Rengjør etter hver bruk.
- **For å redusere risikoen for brann eller eksplosjon, bruk en væske med et flammepunkt høyere enn 60°C.**
- **For å redusere risikoen for elektrisk støt, ikke legg sprøyten i vann eller annen væske. Ikke plasser eller oppbevar sprøyten der den kan falle eller dras ned i en balje eller vask.**

NO

- **Vedlikehold dette produktet. Inspiser grundig både innsiden og utsiden av sprøyten og undersøk komponentene før hver bruk. Se etter sprukket og forringet tank, lekkasjer, tette dyser og manglende eller skadede deler. Hvis det er skadet, få produktet reparert før bruk.** Mange ulykker er forårsaket av dårlig vedlikeholdte produkter.
- **Vri strømbryteren til av-posisjon når sprøyten ikke er i bruk og før service eller rengjøring.**
- **Koble batteriet fra enheten før du tømmer, rengjør eller oppbevarer sprøyten.** Slike forebyggende sikkerhetstiltak reduserer risikoen for utilsiktet start.
- **Bruk alltid øyevern med sideskjold eller vernebriller.** Unnlattelse av å gjøre dette kan føre til at væsker kommer inn i øynene dine, noe som kan føre til alvorlige skader.
- **Beskytt lungene dine. Bruk godkjent sikkerhetsutstyr som ansiktsmasker som er spesialdesignet for å filtrere bort spray, hærsker og annet passende verneutstyr.** Å følge denne regelen vil redusere risikoen for alvorlig personskade. Følg kjemikalieproduzentens sikkerhetsinstruksjoner og retningslinjer oppført på SDS-arket.
- **Kjemikalier og kjemiske gasser kan være farlige og forårsake alvorlig skade, permanent skade eller død ved inntak, innånding eller sprut i øynene eller på huden.** Følg kjemikalieproduzentens sikkerhetsinstruksjoner og retningslinjer oppført på SDS-arket.
- **For å redusere risikoen for skade, er det nødvendig med nøye oppsyn når sprøyten brukes i nærheten av barn.**
- **Ikke kontakt bevegelige deler.**
- **Bruk kun tilbehør som er anbefalt eller solgt av produsenten.**
- **Forhindre utilsiktet start. Sørg for at bryteren er i av-posisjon før du kobler til batteripakken, tar opp eller bærer apparatet.** Å bære apparatet med fingeren på bryteren eller å sette strøm på apparater som har bryteren på, inviterer til ulykker.

LAGRE DISSE INSTRUKSJONENE

SPESIFIKASJONER

Nominell spenning	56 V
Maks. Tank kapasitet	15L
Maks. Arbeidstrykk	24 bar
Maks. Spraystrømningshastighet (med justerbar dyse, spraymodus)	2,3 l/min
Innløpsfilterets diameter	35 mm
Innløpsfilter maskestørrelse	0,35 mm
Utløpsfilterets diameter	124 mm
Vekt (tørrvekt, uten batteripakke)	7,6 kg
Anbefalt driftstemperatur	5°C-40°C
Anbefalt lagringstemperatur	-20 °C-70 °C
Anbefalt ladetemperatur	5°C-40°C

⚠ ADVARSEL: Før du bruker en ryggsekk sprøyte, sørg for å bekrefte at totalvekten, inkludert maskinen, væsken i tanken, og munnstykket og batteripakken som brukes, ikke overstiger 25 kg for å unngå skader og tap av balanse.

- Den deklarerte totale vibrasjonsverdien er målt i samsvar med en standard testmetode og kan brukes til å sammenligne ett verktøy med et annet;
- Den deklarerte totale vibrasjonsverdien kan også brukes i en foreløpig vurdering av eksponering.

MERKNAD: Vibrasjonsutslippet under faktisk bruk av elektroverktøyet kan avvike fra den deklarerte verdien som verktøyet brukes i; For å beskytte brukeren, bør brukeren bruke hansker og hørselsvern under de faktiske arbeidsforholdene.

PAKKELISTE (FIG. A1)

BESKRIVELSE

KJENN DIN SPRØYTE (FIG. A1)

- Slange
- Batteriom
- Tank
- Tanklokk
- Bærehåndtak
- Justerbar støttese
- Hurtigvalg
- Låsespak
- PÅ/AV-utløser
- Kontrollhåndtak
- Endelokk
- Spraystav
- Justerbar dyse
- Viftemunestykke
- Skummunestykke
- Dusjmunestykke

NO

SAMMENSETTING

⚠ ADVARSEL: Hvis noen av delene er skadet eller mangler, må du ikke bruke dette produktet før delene er byttet. Bruk av dette produktet dersom deler er skadet eller mangler, kan føre til alvorlige personskader.

⚠ ADVARSEL: Ikke forsøk å modifisere dette produktet eller lage tilbehør som ikke anbefales for bruk med dette produktet. Enhver slik endring eller modifikasjon er misbruk og kan føre til en farlig tilstand som kan føre til mulig alvorlig personskade.

⚠ ADVARSEL: For å forhindre utilsiktet start som kan forårsake alvorlig personskade, fjern alltid batteripakken fra maskinen når du monterer deler, foretar justeringer, rengjøring eller når produktet ikke er i bruk.

- Dette produktet krever montering.
- Ta produktet og eventuelt tilbehør forsiktig ut av esken. Forsikre deg om at alle delene på "Pakkelisten" følger med leveransen.
- Inspiser produktet nøye for å sikre at det ikke har oppstått brudd eller skade under frakt.
- Ikke kast emballasjen før du har nøye inspisert og betjent produktet på en tilfredsstillende måte.
- Hvis noen deler er skadet eller mangler, bes du returnere produktet til stedet der du kjøpte det.

KOBLING AV SPRAYSTØTTEN TIL

KONTROLLHÅNDTAKET

1. Tre endelokket på spraystaven på kontrollhåndtaket og stram godt med klokken (fig. B).
2. Trekk i spraystaven for å sikre at den er ordentlig festet.

OPERASJON

⚠ ADVARSEL: Ikke føl deg så trygg med dette verktøyet at du blir skjodesløs. Husk at et uforsiktig tiendedel av et sekund er nok til å forårsake alvorlige skader.

⚠ ADVARSEL: Bruk sikkerhetsutstyr. Beskytt øynene, huden og lungene mens du blander, fyller, sprayer og rengjør. Unnlatelse av å gjøre dette kan føre til alvorlig personskade og skade på eiendom.

⚠ ADVARSEL: For å forhindre alvorlig personskade, fjern batteripakken fra apparatet før du utfører service, rengjøring, skifter utstyr, fyller eller tømmer tanken.

⚠ ADVARSEL: Ikke bruk tilbehør eller deler som ikke er anbefalt av produsenten av produktet. Bruk av tilbehør eller deler som ikke anbefales, kan medføre alvorlige personskader.

Før hver bruk skal hele produktet for inspiseres for skader, mangler eller løse deler, for eksempel skruer, muttere, bolter, heter, osv. Trekk til alle festene og hettene godt, og ikke bruk dette produktet for alle manglende eller skadede deler har blitt byttet.

TILTENKT BRUK

Du kan bruke dette produktet til formålene som er oppført nedenfor:

- Påføring av gjødsel og vanning av planter.
- Sprøyting av ugressmidler, plantevernmidler og soppdrepende midler.

MERKNAD: Produktet er kun utviklet for hagebruk og landbruksbruk.

MERKNAD: Produktet skal bare brukes til dets foreskrevne formål. Enhver annen bruk anses å være et tilfelle av misbruk.

⚠ ADVARSEL: Feil bruk av kjemikalier eller løsninger kan føre til ALVORLIG SKADE eller DØD. Følg kjemikalieprodusentens sikkerhetsinstruksjoner og retningslinjer oppført på SDS-arket.

FYLING AV TANKEN (Fig. C)

122

56 VOLT LITHIUM-ION TRÅDLØS RYGGSEKKSPRØYTE — BSP3500E

⚠ ADVARSEL: Følg alltid kjemikalieprodusentens instruksjoner trykt på produktetiketten for bruk, rengjøring og lagring. Ikke kombiner kjemikalier. Rengjør tanken grundig etter hver bruk, følg instruksjonene i avsnittet "VEDLIKEHOLD" i denne håndboken. Kjemikalier bør oppbevares utilgjengelig for barn. Unnlatelse av å gjøre dette kan føre til alvorlig personskade.

⚠ ADVARSEL: For å unngå skader og tap av balanse, sørg for at mengden væske som tilsettes tanken ikke gjør at den totale vekten til sprøyten, inkludert maskinen, væsken i tanken og munnstykket og batteripakken som brukes, overstiger 25 kg.

Flytende kjemikalier som skal sprøytes må være tynne som vann. Tykkere væsker vil ikke spraye ordentlig. Ikke overfyll tanken.

1. Ta ut batteripakken.
2. Skru av tankklokken mot klokken og fjern det fra tanken.
3. Still sprøyten på et jevnt underlag.
4. Fyll tanken med ønsket mengde vann.
5. Mål den anbefalte mengden flytende kjemikalie.
6. Hell det flytende kjemikallet forsiktig inn i tanken.
7. Skru tankklokken tilbake på sprøyten, og pass på at det er godt strammet.

Sprayløsninger kan forhåndsblendes og helles i sprøyten.

MERKNAD: Hvis du bruker en målebeholder for å holde væsken, sørg for å rengjøre og skylle beholderen grundig etter bruk. Hvis du forblende sprayløsningen, skyl beholderen som ble brukt til å blande.

MERKNAD: Det er viktig å rengjøre sprøyten grundig etter hver bruk. Hvis væske blir liggende i en inaktiv sprøyte over lengre tid, kan det føre til at dens bevegelige deler og koblinger setter seg fast.

FESTE/FRA BATTERIPAKKEN

Bruk kun med EGOs batteripakker og ladere oppført i Fig.A2.

Se bruksanvisningene for tilsvarende batteripakker og ladere for mer informasjon.

Lad helt opp før første gangs bruk.

1. Løft batteriromdekselet ved å løfte fronten av dekslet (fig. D1).
2. **For å feste,** Juster batteriribbene med monteringssporene i ett og trykk batteripakken ned til du hører et "klikk" (fig. D1).

3. **For å ta av**, trykk på batteriutløserknappen og trekk ut batteripakken (fig. D2).
4. Lukk batteridekselet.

⚠ ADVARSEL: Vær alltid oppmerksom på plasseringen av føttene, barna eller kjæledyrene dine når du trykker på batteriutløserknappen. Alvorlig skade kan føre til hvis batteripakken faller. Fjern ALDRI batteripakken på et høyt sted.

⚠ ADVARSEL: Pass på at låsen på sprøyten klikker på plass, at batteripakken er festet til sprøyten og at batteridekselet er helt lukket før du starter operasjonen. Unnlattelse av å sette på plass batteripakken kan føre til at batteripakken faller ut, noe som resulterer i alvorlig personskade.

⚠ ADVARSEL: For å unngå alvorlig personskade, fjern alltid batteripakken og hold hendene unna kontrollhåndtaket når du løfter eller transporterer sprøyten.

PLASSERING AV RYGGSEKKSPRYTEREN

⚠ ADVARSEL: Kle deg ordentlig for å redusere risikoen for skade når du bruker dette apparatet. Ikke bruk løse klær eller smykker. Bruk øyevern. Bruk tunge, lange bukser, støvler og hansker. Ikke bruk korte bukser, sandaler eller gå barbeint.

Før du bruker ryggsekkssprøyten, sørg for at operatøren har på seg øyevern og riktige klær og kan opprettholde et sikkert og balansert fotfeste.

For å justere støtteselen

1. Legg armene gjennom ryggsekkstroppene for å støtte sprøyten på ryggen.
2. Juster begge skulderstroppene midlertidig til komfortable posisjoner (fig. E1), og pass på at albuen er komfortabel.
3. Klikk på brystspennen og juster lengden på brystremmen om nødvendig (fig. E2).
4. Klikk på midjespennen og juster lengden på midjestroppen slik at sekken støttes godt av hoftene (fig. E3 og E4).

NOTE: Sekken bør ikke sitte for høyt på ryggen; den bør plasseres nærmere hoftene enn til skuldrene.

⚠ ADVARSEL: Når en nødsituasjon oppstår, løsne bryst- og midjespennene umiddelbart for å ta av ryggsekkstroppen på hver side. Dette er en hurtigfrigjøringsmetode.

5. Juster skulderstroppene på nytt for sikkerhet og komfort. Pass på at ryggsekken sitter trygt på ryggen, med vekten støttet av midjestroppen, og uten overflødig bevegelse når du beveger deg (Fig. E5).
6. Sett eventuell ekstra lengde av stroppe rundt midjen inn i strikken på begge sider (fig. E6).
7. For å fjerne sekken fra ryggen, trykk bare på midje- og brystspennene for å frigjøre dem og senke sprøyten (fig. E7).

STARTE/STOPPE SPRØYTEN (FIG. F)

Hurtigvalg

1. For å øke strømningshastigheten, drei hurtighjulet med klokken.

F-1	Hurtigvalg	F-3	PÅ/AV-utløser
F-2	Låsespak		

NO

2. For å redusere strømningshastigheten, drei hurtighjulet mot klokken.
3. Sprøyten stopper hvis du fortsetter å dreie hjulet til "AV"-posisjon.

⚠ ADVARSEL: For å forhindre utilsiktet start, vri hurtigvelgeren til av-posisjon (rød prikk på skiven peker mot spraystaven).

⚠ ADVARSEL: Før du oppbevarer maskinen, forlater den i lengre tid eller bytter batteripakke, må du alltid dreie hurtigvelgeren til av-posisjon (rød prikk på skiven peker mot spraystaven).

PÅ/AV-utløser

1. Trykk på PÅ/AV-utløseren for å slå på sprøyten.
2. Slipp avtrekkeren for å stoppe flyten.

Låsespak

Låsespaken er praktisk når du sprøyter over lengre tid eller når du dekker et stort område.

1. For å låse PÅ/AV-utløseren på, trykk på låsespaken etter at du har klemmt på avtrekkeren.
2. For å frigjøre PÅ/AV-utløseren, trekk i låsespaken.

MERKNAD: Pass på at avtrekkeren ikke er låst før du setter batteripakken inn i sprøyten.

JUSTERING OG BYTTE AV DYSENE

⚠ ADVARSEL: For å forhindre alvorlig personskade, fjern batteripakken før du justerer eller bytter dyser.

Sprøyten leveres med fire dyser: Justerbart munnstykke, viftemunnstykke, dusjmunnstykke og skummunnstykke. Bytt munnstykke før du begynner å jobbe for å passe til oppgaven.

Justerbar dyse (fig. G1): Spot sprøyting blomsterbed, gangveier, oppkjørsler, terrasser og rundt trær og busker. Kanting langs gjerder, innkjørsler og gangveier. Drepende børste.

Viftemunnstykke (fig. G3): Flat spray for svært bred dekning og væsker med høyere viskositet. Klargjøring av store områder for planting.

G-1	Viftemunnstykke	G-3	Skummunnstykke
G-2	Dusjmunnstykke		

Dusjmunnstykke (fig. G3): Setter ut høyere vannføring for vanning og behandling av planter.

Skummunnstykke (fig. G3): Merker synlig behandlet ugress. Spot sprøyting av ugress i plenen, rundt blomsterbed, trær og busker. Kanter langs gjerder, innkjørsler og gangveier.

Den justerbare dysen kan justeres mellom strøm og spray (fig. G1).

1. Vri den riflede (teksturerte) delen av dysen mot klokken for strøm.
2. Vri den riflede (teksturerte) delen av dysen med klokken for spray.

Skru av hele dysen mot klokken for å fjerne og bytte dyse (fig. G2).

Strømningshastighet for forskjellige dyser som følger med sprøyten:

	Nominell strømningshastighet (L/min)	Maksimalt arbeidstrykk (L/min)	Optimalt arbeidstrykk (L/min)
Justerbar dyse	2,3	2,7	2,4
Viftemunnstykke	2,3	2,7	2,4
Dusjmunnstykke	2,3	2,9	2,7
Skummunnstykke	2,3	2,7	2,4

SPRØYTING AV KJEMIKALIER TIL HJEM OG HAGE (Fig. H)

⚠ ADVARSEL: Pek aldri munnstykket på staven mot deg selv eller andre.

⚠ ADVARSEL: Aldri røyk, spis eller drikk mens du bruker sprøyten.

⚠ ADVARSEL: Spray aldri i retning av mennesker eller dyr; spray alltid motvind.

⚠ ADVARSEL: Risiko for brann eller eksplosjon. Sprøyteområdet må være godt ventilert og vekk fra gnister eller flammer.

1. Installer batteripakken.
2. Dreii hurtighjulet for å stille inn ønsket strømningshastighet.
3. Rett sprøytedyse direkte mot plantene eller gjenstandene du ønsker å sprøyte.

NOTE: Pass på at du står langt nok fra gjenstanden som sprayes for å forhindre at sprayen spruter tilbake på deg.

4. Trykk på avtrekkeren for å starte sprøyten.
5. Slipp avtrekkeren for å stoppe sprøyten.
6. Tøm og rengjør alltid tanken etter hver bruk som anviset i avsnittet "VEDLIKEHOLD".

DRIFTSTIPS

- Juster skulderstroppene på selen, slik at sprøyten sitter over midjen og tanken tett mot ryggen.
- Unngå sprøyting på vindfulle dager. Spray kan ved et uhell blåses på planter eller gjenstander som ikke bør sprayes.
- Spray tidlig om morgenen eller sent på ettermiddagen, spesielt i varmere vær. Overdreven varme kan fordampe sprayen før den legger seg.

VEDLIKEHOLD

⚠ ADVARSEL: Når verktøyet trenger service, må bare identiske reservedeler benyttes. Bruk av andre deler kan skape fare eller forårsake produktskade. For å sikre trygg og pålitelig bruk må alle reparasjoner utføres av en kvalifisert fagperson.

⚠ ADVARSEL: For å unngå alvorlig personskade, fjern batteripakken fra sprøyten før du utfører service, rengjøring, bytter dyser, utfører vedlikehold eller når sprøyten ikke er i bruk. En batteridrevet sprøyte med batteripakken satt inn er alltid på og kan starte ved et

NO

uhell.

GENERELT VEDLIKEHOLD

All sprøyteservice, bortsett fra punktene som er oppført i disse vedlikeholdsinstruksjonene, bør utføres av en kvalifisert servicetekniker.

RENGJØRING

Unngå bruk av løsemidler når plastdeler skal rengjøres. De fleste plaster er utsatt for skade fra ulike typer kommersielle løsemidler og kan bli skadet ved bruk. Bruk en ren klut for å fjerne skitt, støv, olje, fett, osv.

⚠ ADVARSEL: Bremsevæske, bensin, petroleumbaserte produkter, rustopløsende olje osv. må ikke under noen omstendighet komme i kontakt med plastdeler. Kjemikalier kan skade, svekke eller ødelegge plastmaterialer, noe som kan føre til alvorlig personskada.

⚠ ADVARSEL: Når du rengjør sprøyten, IKKE senk den ned i vann eller andre væsker.

⚠ ADVARSEL: Oppbevar og kast alltid kjemikalier på riktig måte. Avhending av forurenset skyllevann skal utføres i henhold til lokale forskrifter og vedtekter.

- Hvis det er væske igjen i tanken etter sprøyting, tøm tanken før rengjøring.
- Bruk alltid bare en myk, tørr klut til å rengjøre utsiden av tanken; bruk aldri vaskemiddel eller alkohol.
- Fyll tanken omtrent en tredjedel full med rent vann. Spray til tanken er tømt. Sørg for å rette sprayen mot et område som ikke vil bli skadet av sprayløsningen.
- Fyll på og gjenta prosedyren med rent vann. Det kan være nødvendig å skylle tanken mer enn én gang, og tømme den igjen som anvist ovenfor.
- La alle delene tørke helt før du setter sammen og oppbevarer enheten.

VEDLIKEHOLD AV DYSE

⚠ ADVARSEL: Sørg for at alt vedlikehold av dyse utføres riktig for å forhindre vannlekkasjer. Lekkasje kan føre til at en glatt overflate skaper fare for skli og fall eller forårsake skade på eiendom.

Uregelmessige sprøytemønstre eller lekkasje kan være et resultat av en tilstoppet eller skitten dyse.

1. Slå av sprøyten og fjern batteripakken.
2. **For å tømme den justerbare dysen (fig. I1):**
 - a. Skru av og fjern den riflede (teksturerte) delen av den justerbare dysen.

- b. Skyv en tynn ledning (ikke inkludert) gjennom krysshullene for å fjerne rusk. Skyll om nødvendig tverrhullene og munnstykket med rent vann.

- c. Tørk av munnstykket med en ren, tørr klut og installer dysen på nytt.

3. For å tømme viften og skummunnstykket (fig. I2):

- a. Skru av og fjern munnstykket fra sprøytestaven.

- b. Skyv en tynn ledning (ikke inkludert) gjennom hullet for å fjerne rusk. Om nødvendig, skyll munnstykket med rent vann.

- c. Tørk av munnstykket med en ren, tørr klut og installer dysen på nytt.

TRANSPORT OG LAGRING (Fig. J)

- Ta ut batteripakken.
- Vri hurtighjulet til av-posisjon (rød prikk på hjulet peker mot spraystaven).
- Rengjør sprøyten grundig.
- Tøm tanken, slangen og sprøytestaven.

MERKNAD: Før lagring, spesielt før vinterklargjøring, sørg for å tømme tanken, slangen og sprøytestaven for å forhindre at maskinen fryser og skader, noe som vil føre til at den ikke starter etter overvintring.

- Fest spraystaven i basen og oppbevaringsklemmen.

J-1	Oppbevaringsklips	J-3	Bærehåndtak
J-2	Base		

- Løft sprøyten i bærehåndtaket eller bær den ved hjelp av støtteselen når du transporterer den.
- Oppbevar sprøyten innendørs, på et godt ventilert sted.
- Holdes unna etsende midler som hagekjemikalier og avisingsalter.

Beskytter miljøet



Ikke kast elektrisk utstyr, brukt batteri og lader i husholdningsavfallet!

Ta med dette produktet til autorisert gjenvinning, og gjør det tilgjengelig for separat innsamling. Elektriske verktøy må returneres til et miljøvennlig resirkuleringsanlegg.

NO

FEILSØKING

PROBLEM	ÅRSAK	LØSNING
Sprøyten starter ikke.	<ul style="list-style-type: none"> ■ Batteripakken er ikke satt helt inn i batterirommet. ■ Ingen elektrisk kontakt mellom sprøyten og batteripakken. ■ Batteripakkens ladning er oppbrukt. ■ Batteripakken eller sprøyten er for varm. 	<ul style="list-style-type: none"> ■ Sjekk om batteripakken er satt helt inn i batterirommet. ■ Ta ut batteripakken, sjekk kontaktene og sett inn batteripakken igjen. ■ Lad batteripakken. ■ Slå av sprøyten og la batteripakken eller sprøyten avkjøles til temperaturen synker til det anbefalte driftstemperaturområdet.
NO Motoren går, men det kommer ingen spray ut av dysen.	<ul style="list-style-type: none"> ■ Lavt væsknivå i tanken. ■ Munnstykket ble tilstoppet under drift. 	<ul style="list-style-type: none"> ■ Kontroller og sørg for at det er nok væske i tanken. ■ Rengjør dysen(e) i henhold til kapittelet "DYSEVEDLIKEHOLD" og sett sammen igjen som anvist.
Væske lekker fra mellom kontrollhåndtaket og staven.	<ul style="list-style-type: none"> ■ Endehetten på staven er løs. 	<ul style="list-style-type: none"> ■ Stram endelokket.
Væske lekker fra mellom sprøytestaven og dysen.	<ul style="list-style-type: none"> ■ Munnstykket er løst eller feil installert. 	<ul style="list-style-type: none"> ■ Installer dysen riktig og tett i henhold til kapittelet "JUSTERE OG BYTTE DYSENE".

GARANTI

EGO GARANTIPOLITIK

B Besøk nettstedet egopowerplus.eu for fullstendige vilkår og betingelser for EGOs garantipolicy.

ПРОЧИТАЙТЕ ВСЕ ИНСТРУКЦИИ!



ПРОЧИТАЙТЕ РУКОВОДСТВО ПОЛЬЗОВАТЕЛЯ

⚠ ПРЕДУПРЕЖДЕНИЕ. Для обеспечения безопасности и надежности устройства его ремонт должен выполнять квалифицированный специалист.

⚠ ПРЕДУПРЕЖДЕНИЕ. Перед использованием устройства внимательно прочитайте все инструкции в данном руководстве пользователя и ознакомьтесь с предупреждающими символами безопасности, такими как «ОПАСНОСТЬ», «ПРЕДУПРЕЖДЕНИЕ» и «ВНИМАНИЕ». Несоблюдение всех приведенных ниже инструкций может привести к поражению электрическим током, возникновению пожара и (или) получению серьезных травм.

СОХРАНИТЕ ВСЕ ПРЕДУПРЕЖДЕНИЯ И ИНСТРУКЦИИ ДЛЯ ИСПОЛЬЗОВАНИЯ В БУДУЩЕМ.

СИМВОЛЫ БЕЗОПАСНОСТИ

⚠ ПРЕДУПРЕЖДЕНИЕ. В результате работы электроинструмента в глаза могут попасть посторонние предметы, что приведет к серьезному повреждению глаз. Перед началом использования электроинструмента всегда надевайте защитную маску или защитные очки с боковыми щитками и полнопрофильную защитную маску (при необходимости). Поверх очков или стандартных защитных очков рекомендуется надевать безопасную маску с широким обзором.

RU



Предупреждение об опасности



Чтобы уменьшить риск получения травм, перед использованием устройства необходимо прочитать и понять руководство по эксплуатации.



Используйте защитную одежду.



При опрыскивании держите посторонних на расстоянии.



Используйте защитную маску.



Соответствует основным требованиям стандартов безопасности Европейских директив.



Гарантированный уровень звуковой мощности. Уровень шума в окружающей среде в соответствии с директивой ЕС.



Данное изделие соответствует действующему законодательству Великобритании.



Неисправные электрические устройства нельзя выбрасывать вместе с бытовым мусором. Сдавайте их в авторизованные пункты сбора и утилизации.



Защита от брызг воды



Постоянный ток

об/мин Оборотов в минуту



В Напряжение



Скорость работы без нагрузки



Миллиметр

ОБЩИЕ ПРЕДОСТЕРЕЖЕНИЯ ОБ ОПАСНОСТИ

⚠ ПРЕДУПРЕЖДЕНИЕ. Прочитайте все правила безопасности, инструкции, иллюстрации и спецификации, прилагаемые к этому устройству. Невыполнение изложенных ниже инструкций может привести к поражению электрическим током, возгоранию и (или) тяжелым травмам.

Сохраните все предупреждения и инструкции для использования в будущем.

Термин «устройство» в предупреждениях означает электроинструмент с питанием от сети (с кабелем) или с питанием от аккумулятора (без кабеля).

БЕЗОПАСНОСТЬ РАБОЧЕГО МЕСТА

- Обеспечьте чистоту и освещенность рабочего места. Загроможденные и плохо освещенные места служат причиной несчастных случаев.
- Не используйте устройство во взрывоопасных местах, например вблизи горючих жидкостей, газов или пыли. Устройство генерирует искры, которые могут воспламенить пыль или испарения.
- Не позволяйте детям и посторонним находиться вблизи работающего устройства. Отвлекающие факторы могут привести к потере контроля.

ЭЛЕКТРОТЕХНИЧЕСКАЯ БЕЗОПАСНОСТЬ

Вилка устройства должна соответствовать розетке. Никогда не переделывайте вилку. Не используйте никакие переходники для вилок заземленных устройств. Использование оригинальных вилок и соответствующих им розеток уменьшает риск поражения электрическим током.

- Избегайте прикосновений к заземленным объектам, таким как трубы, радиаторы, плиты и холодильники. Риск поражения электрическим током выше, когда тело заземлено.
- Не подвергайте устройство воздействию дождя или влажности. При попадании воды в устройство увеличивается риск поражения электрическим током.
- Обращайтесь с кабелем аккуратно. Никогда не переносите, не тяните и не выключайте устройство за кабель. Держите кабель подальше от источников тепла, масла, острых предметов и движущихся частей. Поврежденные и запутанные кабели повышают риск поражения электрическим током.

- Для работы с устройством вне помещения используйте предназначенный для этого удлинительный кабель. Использование кабеля, подходящего для использования вне помещения, снижает риск поражения электрическим током.
- Если использование инструмента в сыром месте неизбежно, подключайте его через устройство защитного отключения (УЗО). Использование УЗО снижает риск поражения электрическим током.

ЛИЧНАЯ БЕЗОПАСНОСТЬ

- При использовании устройства будьте бдительны, следите за своими действиями и следуйте здравому смыслу. Не пользуйтесь устройством, если вы устали или находитесь под воздействием наркотиков, алкоголя или медикаментов. Даже кратковременная невнимательность при работе с устройством может привести к тяжелым травмам.
- Используйте средства индивидуальной защиты. Всегда используйте защитные средства для глаз. Защитное оборудование, такое как противоопылевая маска, нескользкая предохранительная обувь, жесткая каска или устройства защиты органов слуха в соответствующих условиях уменьшает риск травмирования.
- Не допускайте непредвиденных запусков. Перед подключением устройства к сети питания (или аккумулятору) и перед его переноской убедитесь, что выключатель находится в выключенном положении. Не держите палец на выключателе при переноске устройства и не подключайте к источнику питания, если устройство включено. Это может привести к несчастному случаю.
- Перед включением устройства снимите с него регулировочные инструменты и гаечные ключи. Регулировочный инструмент или гаечный ключ, оставленный на вращающейся части устройства, может стать причиной травмы.
- Не тянитесь. Всегда сохраняйте устойчивое положение и равновесие. Это позволит лучше контролировать устройство в непредвиденных ситуациях.
- Одевайтесь надлежащим образом. Не надевайте свободную одежду и украшения. Держите волосы и одежду подальше от движущихся частей. Свободная одежда, украшения и длинные волосы могут попасть в движущиеся части.
- При наличии устройств для отвода и сбора пыли

RU

убедитесь, что они подключены и правильно работают. Использование пылеулавливающих устройств снижает вред, причиняемый пылью.

- **Не допускайте небрежности, которая может возникнуть из-за частого использования устройства и повлечь за собой самоуверенность и игнорирование правил безопасности.** Неосторожное действие может причинить серьезную травму за доли секунды.

ЭКСПЛУАТАЦИЯ И ОБСЛУЖИВАНИЕ УСТРОЙСТВА

- **Не прилагайте к устройству чрезмерных усилий. Используйте подходящее для ваших задач устройство.** Правильно выбранное устройство более эффективно и безопасно при номинальной нагрузке.
- **Не используйте устройство, если его выключатель неисправен.** Устройство с неисправным выключателем опасно и подлежит ремонту.
- **Перед регулировкой, сменой аксессуаров или хранением отключите устройство от сети питания и (или) извлеките аккумулятор, если это возможно.** Такие меры предосторожности уменьшают риск случайного запуска устройства.
- **Храните неиспользуемое устройство в недоступном для детей месте и не доверяйте устройство лицам, не знакомым с ним и с этими инструкциями.** Такие устройства опасны в руках неподготовленных пользователей.
- **Выполняйте техническое обслуживание устройства и принадлежностей.** Проверьте выравнивание и сцепление подвижных деталей, наличие поломок и прочие условия, которые могут повлиять на работу устройства. Если устройство повреждено, перед использованием его необходимо отремонтировать. Многие несчастные случаи вызваны неправильным техобслуживанием устройств.
- **Храните режущие инструменты в чистоте и заточенном состоянии.** Правильно обслуживаемые и хорошо заточенные режущие инструменты меньше заклинивают и лучше контролируются.
- **Используйте устройство, аксессуары, насадки и т. п. в соответствии с этими инструкциями, учитывая условия и специфику выполняемой работы.** Использование устройства для выполнения непредусмотренных операций может привести к опасным ситуациям.
- **Следите за тем, чтобы рукоятки и поверхности**

захвата были сухими и чистыми и на них не было масла или смазочного материала. Скользкие рукоятки и поверхности захвата не позволяют безопасно использовать устройство и контролировать его в непредвиденных ситуациях.

ЭКСПЛУАТАЦИЯ И ОБСЛУЖИВАНИЕ АККУМУЛЯТОРНОГО УСТРОЙСТВА

- **Заряжайте аккумуляторы только с помощью зарядного устройства, указанного изготовителем.** Зарядное устройство, предназначенное для одного типа аккумуляторных батарей, может стать причиной пожара при использовании с другим типом батарей.
- **Используйте устройство только со специально предназначенными для него аккумуляторами.** Использование любого другого вида аккумуляторных батарей может стать причиной несчастных случаев или пожара.
- **Когда аккумулятор не используется, храните его отдельно от металлических предметов — канцелярских скрепок, монет, ключей, гвоздей, винтов и др. — они могут соединить контакты.** Короткое замыкание контактов аккумуляторной батареи может стать причиной ожогов или пожара.
- **При неблагоприятных обстоятельствах из аккумулятора может потечь электролит; избегайте контакта с ним. При случайном контакте промойте водой. Если жидкость попала в глаза, обратитесь к врачу.** Жидкость из аккумуляторной батареи может вызвать раздражение и ожоги.
- **Не используйте аккумулятор и устройство, если они повреждены или подвергались модификациям.** Поведение поврежденных или модифицированных аккумуляторов может быть непредсказуемым, что приведет к возгоранию, взрыву и риску получения травм.
- **Не подвергайте аккумуляторную батарею и устройство воздействию огня и высокой температуры.** Воздействие огня или температуры выше 130 °C может привести к взрыву.
- **Следуйте всем инструкциям по зарядке и не заряжайте аккумулятор и устройство при температуре, выходящей за пределы указанного диапазона.** Если зарядка выполняется неправильно или в условиях неподходящей температуры, это может привести к повреждению аккумулятора и возгоранию.

RU

РЕМОНТ

- Ремонт устройства должен производиться квалифицированным специалистом с использованием только идентичных запасных частей. Это обеспечит безопасную работу устройства.
- Никогда не выполняйте обслуживание поврежденного аккумулятора. Обслуживание аккумуляторов должно выполняться только производителем или в авторизованном сервисном центре.

ПРАВИЛА ТЕХНИКИ БЕЗОПАСНОСТИ ПРИ РАБОТЕ С АККУМУЛЯТОРНЫМ ОПРЫСКИВАТЕЛЕМ

RU

⚠ ОПАСНО! Риск возгорания или взрыва. Не распыляйте легковоспламеняющиеся жидкости, такие как бензин.

⚠ ПРЕДУПРЕЖДЕНИЕ.

- Во избежание травм всегда используйте средства защиты глаз, органов дыхания и кожи.
- Чтобы снизить риск поражения электрическим током, не оставляйте устройство под дождем.
- Только для бытового использования вне помещений..
- Не распыляйте легковоспламеняющиеся или горючие жидкости в замкнутом пространстве. При распылении горючей жидкости существует опасность пожара или взрыва, особенно в замкнутом пространстве.
- Зона распыления должна хорошо проветриваться.
- Не курите во время опрыскивания и не распыляйте в местах, где могут образоваться искры или дым.
- Перед заправкой бака всегда извлекайте аккумулятор. Перед установкой аккумулятора вытрите все пролитые жидкости. Соблюдение этого правила снизит риск поражения электрическим током и попадания агрессивных жидкостей в аккумулятор, что может привести к его выходу из строя, в том числе к короткому замыканию, в результате чего возможно появление дыма, возгорание и (или) серьезные травмы.
- Не допускайте попадания внутрь аккумулятора токопроводящих и агрессивных жидкостей. Если на аккумулятор пролилась токопроводящая или агрессивная жидкость, следуйте инструкциям в руководстве по эксплуатации аккумулятора.
- Перед использованием распыляемых материалов в данном опрыскивателе внимательно прочитайте этикетку на оригинальной упаковке материала и следуйте указаниям на ней. Некоторые распылительные материалы опасны и не должны использоваться в этом опрыскивателе, так как они могут повредить опрыскиватель и нанести серьезные телесные повреждения или материальный ущерб.
- Выясните состав распыляемого химиката. Прочитайте все паспорта безопасности химикатов и этикетки на их контейнерах. Соблюдайте инструкции по технике безопасности производителя химикатов.
- Риск поражения электрическим током. Никогда не распыляйте в сторону электрических розеток.
- Не заливайте в бак горячие или кипящие жидкости. Это может ослабить или повредить трубки или бак.
- Избегайте опрыскивания в ветреные дни. Распыляемое вещество может случайно попасть на растения или предметы, которые не следует опрыскивать.
- Храните опрыскиватель в безопасном, хорошо проветриваемом помещении с пустым баком.
- Не распыляйте отбеливатель и перекись водорода.
- Не распыляйте химические вещества на спиртовой основе.
- Не распыляйте порошки и абразивные химикаты.
- Не распыляйте едкие (щелочные) и самонагревающиеся жидкости.
- Не используйте опасные для окружающей среды химические вещества, запрещенные местными нормативными актами.
- Не направляйте сопло опрыскивателя в сторону людей или домашних животных.
- Не позволяйте использовать данное устройство детям, лицам с пониженными физическими, сенсорными или умственными способностями или имеющими недостаточный опыт или знания либо людям, не знакомым с этими инструкциями.
- Оператор или владелец несут ответственность

за несчастные случаи и ущерб, нанесенный другим людям или их имуществу.

- **Опрыскиватель должен использоваться только со средствами защиты растений, одобренными местными или национальными регулирующими органами и предназначенными для использования с ранцевыми опрыскивателями.**
- **Риск попадания жидкости.** Не допускайте распыления непосредственно на кожу. Держите все части тела вне зоны опрыскивания.
- **Не оставляйте распыляемый материал в баке после использования опрыскивателя.** Очищайте после каждого использования.
- **Для снижения риска возгорания или взрыва используйте жидкость с температурой воспламенения выше 60 °C.**
- **Во избежание поражения электрическим током не погружайте опрыскиватель в воду и другие жидкости. Не размещайте и не храните опрыскиватель в местах, где он может упасть или попасть в ванну или раковину.**
- **Выполняйте обслуживание устройства.** Перед каждым использованием тщательно осматривайте опрыскиватель снаружи и внутри и проверяйте его компоненты. Проверьте устройство на наличие трещин и повреждений бака, утечек, засорения форсунок, отсутствующих или поврежденных деталей. Если устройство повреждено, перед использованием его необходимо отремонтировать. Многие несчастные случаи вызваны неправильным техобслуживанием устройств.
- **Если опрыскиватель не используется либо требуется его обслуживание или очистка, переведите выключатель питания в выключенное положение.**
- **Перед сливом жидкости, очисткой или хранением опрыскивателя извлеките аккумулятор.** Такие меры предосторожности уменьшают риск случайного запуска инструмента.
- **Всегда надевайте очки с боковыми щитками или защитные очки.** В противном случае жидкость может попасть в глаза, что приведет к получению серьезной травмы.
- **Защитите свои легкие.** Используйте одобренные средства защиты, такие как маски для лица, специально разработанные для защиты от аэрозолей, перчатки и другое защитное оборудование. Соблюдение данного правила

уменьшит риск получения серьезных травм. Соблюдайте инструкции по технике безопасности и рекомендации производителя химикатов, указанные в паспорте безопасности.

- **Химикаты и химические пары могут быть опасны и привести к серьезным травмам, необратимым повреждениям или смерти при попадании в глаза или на кожу при проглатывании, вдыхании или разбрызгивании.** Соблюдайте инструкции по технике безопасности и рекомендации производителя химикатов, указанные в паспорте безопасности.
- **Чтобы уменьшить риск получения травм, будьте предельно внимательны при использовании опрыскивателя рядом с детьми.**
- **Не прикасайтесь к движущимся частям.**
- **Используйте только принадлежности, рекомендованные или продающиеся производителем.**
- **Не допускайте непредвиденных запусков.** Перед подключением устройства к аккумулятору и перед его переноской убедитесь, что выключатель находится в выключенном положении. Не держите палец на выключателе при переноске устройства и не подключайте к источнику питания, если устройство включено. Это может привести к несчастному случаю.

СОХРАНИТЕ НАСТОЯЩУЮ ИНСТРУКЦИЮ

RU

ТЕХНИЧЕСКИЕ ХАРАКТЕРИСТИКИ

Номинальное напряжение	56 В
Макс. емкость бака	15 л
Макс. рабочее давление	24 бар
Макс. расход при распылении (с регулируемой насадкой, режим распыления)	2,3 л/мин
Диаметр входного фильтра	35 мм
Размер ячейки входного фильтра	0,35 мм
Диаметр выходного фильтра	124 мм
Масса (сухая масса, без аккумулятора)	7,6 кг
Рекомендуемая рабочая температура	5...40 °С
Рекомендуемая температура хранения	-20...70 °С
Рекомендуемая температура зарядки	5...40 °С

RU

⚠ ПРЕДУПРЕЖДЕНИЕ. Во избежание травм и потери равновесия перед использованием ранцевого опрыскивателя убедитесь, что его общая масса, включая само устройство, жидкость в баке, а также используемые насадки и аккумулятор, не превышает 25 кг.

- Указанное общее значение вибрации было определено с помощью стандартного теста и может быть использовано для сравнения разных инструментов.
- Указанное общее значение вибрации также может использоваться для предварительной оценки уровня воздействия.

ПРИМЕЧАНИЕ. Реальное вибрационное воздействие электроинструмента может отличаться от указанного в зависимости от способа использования. В целях безопасности оператор должен надевать перчатки и средства защиты органов слуха во время использования устройства.

КОМПЛЕКТ ПОСТАВКИ (РИС. А1)

ОПИСАНИЕ

ЧАСТИ ОПРЫСКИВАТЕЛЯ (РИС. А1)

1. Шланг
2. Аккумуляторный отсек
3. Бак
4. Крышка бака
5. Ручка для переноски
6. Регулируемая ременная обвязка
7. Регулятор скорости
8. Рычаг блокировки
9. Курковый выключатель
10. Рукоятка управления
11. Концевой колпачок
12. Распылительная трубка
13. Регулируемая насадка
14. Веерная насадка
15. Вспенивающая насадка
16. Дождевая насадка

СБОРКА

⚠ ПРЕДУПРЕЖДЕНИЕ. Если какие-либо части повреждены или отсутствуют, не используйте устройство, пока они не будут установлены. Использование устройства с поврежденными или отсутствующими частями может привести к серьезным травмам.

⚠ ПРЕДУПРЕЖДЕНИЕ. Не пытайтесь изменить конструкцию устройства или создать не рекомендованные для него дополнительные приспособления. Подобное изменение считается ненадлежащим использованием и способствует возникновению опасной ситуации, которая приведет к получению серьезной травмы.

⚠ ПРЕДУПРЕЖДЕНИЕ. Чтобы предотвратить случайное включение устройства и получение серьезной травмы, извлекайте аккумулятор перед выполнением сборки, регулировки и очистки, а также когда устройство не используется.

- Данное устройство требует сборки.

- Аккуратно извлеките устройство и дополнительные приспособления из коробки. Убедитесь в наличии всех частей, перечисленных в списке «комплекта поставки».
- Тщательно осмотрите устройство и убедитесь, что оно не было повреждено во время транспортировки.
- Не выбрасывайте упаковочные материалы до тех пор, пока не проверите устройство и не убедитесь в его исправной работе.
- Если какой-либо компонент отсутствует или поврежден, верните устройство по месту приобретения.

ПОДКЛЮЧЕНИЕ РАСПЫЛИТЕЛЬНОЙ ТРУБКИ К РУКОЯТКЕ УПРАВЛЕНИЯ

1. Накрутите концевой колпачок распылительной трубки на рукоятку управления и надежно затяните по часовой стрелке (Рис. В).
2. Потяните за распылительную трубку, чтобы убедиться, что она надежно закреплена.

ИСПОЛЬЗОВАНИЕ

⚠ ПРЕДУПРЕЖДЕНИЕ. Не допускайте небрежности и беспечности при работе с устройством. Помните, что потеря бдительности на долю секунды достаточно для получения серьезной травмы.

⚠ ПРЕДУПРЕЖДЕНИЕ. Используйте средства защиты. Защищайте глаза, кожу и легкие во время смешивания, наполнения, распыления и очистки. Несоблюдение этого требования может привести к серьезным травмам и повреждению имущества.

⚠ ПРЕДУПРЕЖДЕНИЕ. Чтобы предотвратить получение серьезных травм, извлекайте аккумулятор перед выполнением сервисного обслуживания, очистки, замены принадлежностей, а также наполнения и опустошения бака.

⚠ ПРЕДУПРЕЖДЕНИЕ. Не используйте насадки или дополнительные приспособления, не рекомендованные производителем устройства. Использование нерекондованных насадок и дополнительных приспособлений может привести к серьезным травмам.

Перед каждым использованием полностью проверяйте устройство на наличие поврежденных, отсутствующих или плохо закрепленных частей, таких как винты, гайки, болты, заглушки и т. д. Надежно закрепите все

фиксаторы и заглушки и не пользуйтесь устройством до тех пор, пока не будут заменены поврежденные или отсутствующие части.

НАЗНАЧЕНИЕ

Данное устройство можно использовать в следующих целях.

- Внесение удобрений и полив растений.
- Распыление гербицидов, пестицидов и фунгицидов.

ПРИМЕЧАНИЕ. Устройство предназначено только для применения в садоводстве и сельском хозяйстве.

ПРИМЕЧАНИЕ. Устройство должно использоваться только по назначению. Любое другое использование, кроме упомянутого, считается ненадлежащим.

⚠ ПРЕДУПРЕЖДЕНИЕ. Неправильное применение химикатов и растворов может привести к СЕРЬЕЗНЫМ ТРАВМАМ или СМЕРТИ. Соблюдайте инструкции по технике безопасности и рекомендации производителя химикатов, указанные в паспорте безопасности.

RU

ЗАПОЛНЕНИЕ БАКА (Рис. С)

⚠ ПРЕДУПРЕЖДЕНИЕ. При использовании, очистке и хранении всегда следуйте инструкциям производителя химикатов на этикетке. Не смешивайте химикаты. Тщательно очищайте бак после каждого использования в соответствии с инструкциями в разделе «ОБСЛУЖИВАНИЕ» настоящего руководства. Химические вещества следует хранить в недоступном для детей месте. Несоблюдение этого требования может привести к серьезным травмам.

⚠ ПРЕДУПРЕЖДЕНИЕ. Во избежание травм и потери равновесия следите за тем, чтобы при добавлении жидкости общая масса опрыскивателя, включая само устройство, жидкость в баке, а также используемые насадки и аккумулятор, не превышала 25 кг.

Распыляемые жидкие химикаты должны быть такими же жидкими, как вода. Более густые жидкости не будут распыляться должным образом. Не переполняйте бак.

1. Извлеките аккумулятор.
2. Открутите крышку бака против часовой стрелки и снимите ее с бака.
3. Установите опрыскиватель на ровную поверхность.

4. Налейте в бак необходимое количество воды.
5. Отмерьте рекомендуемое количество жидкого химиката.
6. Осторожно залейте жидкий химикат в бак.
7. Закрутите крышку бака и убедитесь, что она надежно затянута.

Растворы для распыления можно предварительно смешивать и заливать в опрыскиватель.

ПРИМЕЧАНИЕ. Если для хранения жидкости применяется мерный контейнер, обязательно тщательно очистите и промойте его после использования. При предварительном смешивании раствора промойте емкость, используемую для смешивания.

ПРИМЕЧАНИЕ. Важно тщательно очищать опрыскиватель после каждого использования. Если оставить жидкость в неработающем опрыскивателе на длительное время, это может привести к заеданию его подвижных частей и соединительных элементов.

УСТАНОВКА И ИЗВЛЕЧЕНИЕ АККУМУЛЯТОРА

Используйте только аккумуляторы и зарядные устройства EGO, указанные на Рис. A2.

Подробнее см. в соответствующих руководствах по эксплуатации аккумулятора и зарядного устройства.

Перед первым использованием полностью зарядите аккумулятор.

1. Поднимите крышку аккумуляторного отсека за переднюю часть (Рис. D1).
2. **Установка:** совместите ребра аккумулятора с крепежными отверстиями и вставьте аккумулятор до «щелчка» (Рис. D1).
3. **Снятие:** нажмите кнопку фиксации аккумулятора и извлеките аккумулятор (Рис. D2).
4. Закройте крышку аккумуляторного отсека.

⚠ ПРЕДУПРЕЖДЕНИЕ. Всегда следите за положением своих ног, а за также за местонахождением детей и животных, когда нажимаете на кнопку фиксации аккумулятора. Падение аккумулятора может привести к серьезным травмам. НИКОГДА не извлекайте аккумулятор, если находитесь на возвышенности.

⚠ ПРЕДУПРЕЖДЕНИЕ. Перед началом работы убедитесь, что фиксатор на опрыскивателе защелкнулся, аккумулятор закреплен на опрыскивателе, а крышка аккумуляторного отсека

полностью закрыта. Неправильная установка аккумулятора может стать причиной его выпадения, что приведет к серьезной травме.

⚠ ПРЕДУПРЕЖДЕНИЕ. Во избежание серьезных травм всегда снимайте аккумулятор и держите руки подальше от рукоятки управления при подъеме или транспортировке опрыскивателя.

РАЗМЕЩЕНИЕ РАНЦЕВОГО ОПРЫСКИВАТЕЛЯ

⚠ ПРЕДУПРЕЖДЕНИЕ. Одевайтесь надлежащим образом, чтобы снизить риск получения травм при использовании данного устройства. Не надевайте свободную одежду и украшения. Используйте средства защиты глаз. Надевайте плотные длинные брюки, прочную обувь и перчатки. Не надевайте шорты, сандалии и не работайте босиком.

Перед использованием ранцевого опрыскивателя необходимо убедиться, что оператор носит защитные очки и соответствующую одежду и может сохранять устойчивое и сбалансированное положение.

Регулировка ременной обвязки

1. Проденьте руки в лямки ранца, чтобы повесить опрыскиватель на спину.
2. Отрегулируйте обе лямки таким образом, чтобы их положение было удобным (Рис. E1). Убедитесь, что локти двигаются свободно.
3. Защелкните пряжку на груди и при необходимости отрегулируйте длину нагрудного ремня (Рис. E2).
4. Застегните поясную пряжку и отрегулируйте длину поясного ремня таким образом, чтобы ранец надежно опирался на бедра (Рис. E3 и E4).

ПРИМЕЧАНИЕ. Ранец не должен находиться слишком высоко на спине. Он должен располагаться ближе к бедрам, чем к плечам.

⚠ ПРЕДУПРЕЖДЕНИЕ. При возникновении чрезвычайной ситуации немедленно отстегните нагрудную и поясную пряжки, чтобы снять лямки ранца с каждой стороны. Этот способ позволяет быстро освободиться от устройства.

5. Отрегулируйте плечевые ремни таким образом, чтобы ранец сидел надежно и удобно. Убедитесь, что ранец надежно закреплен на спине, а основной вес перенесен на талию. Кроме того, ранец не должен сильно перемещаться во время движения (Рис. E5).

- Слишком длинные концы ремней вставьте в эластичные крепления с обеих сторон талии (Рис. Е6).
- Чтобы снять ранец со спины, просто откройте нагрудную и поясную пряжки и снимите опрыскиватель (Рис. Е7).

ВКЛЮЧЕНИЕ И ВЫКЛЮЧЕНИЕ ОПРЫСКИВАТЕЛЯ (РИС. F)

Регулятор скорости

- Чтобы увеличить скорость распыления, поверните регулятор скорости по часовой стрелке.

F-1	Регулятор скорости	F-3	Курковый выключатель
F-2	Рычаг блокировки		

- Чтобы уменьшить скорость распыления, поверните регулятор скорости против часовой стрелки.
- Опрыскиватель прекратит работу, если перевести регулятор скорости в положение «**ВЫКЛ**».

⚠ ПРЕДУПРЕЖДЕНИЕ. Чтобы предотвратить непреднамеренный запуск, поверните регулятор скорости в выключенное положение (красная точка на регуляторе, указывающая на распылительную трубку).

⚠ ПРЕДУПРЕЖДЕНИЕ. Прежде чем убрать устройство на хранение, оставить на длительное время или заменить аккумулятор, всегда поворачивайте регулятор скорости в выключенное положение (красная точка на регуляторе указывает на распылительную трубку).

Курковый выключатель

- Нажмите на курок, чтобы включить опрыскиватель.
- Отпустите курок, чтобы остановить распыление.

Рычаг блокировки

Рычаг блокировки удобен при длительном распылении или при покрытии большой площади.

- Чтобы заблокировать курковый выключатель, нажмите на рычаг блокировки после нажатия на курок.
- Чтобы освободить курковый выключатель, потяните за рычаг блокировки.

ПРИМЕЧАНИЕ. Перед установкой аккумулятора в опрыскиватель убедитесь, что курок не заблокирован.

РЕГУЛИРОВКА И ЗАМЕНА НАСАДОК

⚠ ПРЕДУПРЕЖДЕНИЕ. Во избежание серьезных травм извлеките аккумулятор перед регулировкой или заменой насадок.

К распылителю прилагаются четыре насадки: регулируемая, веерная, дождевая и вспенивающая. Перед началом работы установите насадку в соответствии с поставленной задачей.

Регулируемая насадка (Рис. G1). Точечное опрыскивание клумб, дорожек, подъездных путей, патио, а также вокруг деревьев и кустарников. Обработка краев заборов, подъездных путей и пешеходных дорожек. Удаление растительности.

Веерная насадка (Рис. G3). Плоское распыление для очень широкого покрытия и жидкостей повышенной вязкости. Подготовка больших площадей к посадке.

G-1	Веерная насадка	G-3	Вспенивающая насадка
G-2	Дождевая насадка		

RU

Дождевая насадка (Рис. G3). Обеспечивает более высокий расход воды для полива и обработки растений.

Вспенивающая насадка (Рис. G3). Визуальная маркировка обработанных сорняков. Точечное опрыскивание сорняков на газоне, вокруг клумб, деревьев и кустарников. Обработка краев заборов, подъездных путей и пешеходных дорожек.

Регулируемая насадка может работать в режиме струи или распыления (Рис. G1).

- Для получения струи поверните рифленую (текстурированную) часть насадки против часовой стрелки.
- Для распыления поверните рифленую (текстурированную) часть насадки по часовой стрелке.

Чтобы снять и заменить насадку, открутите всю насадку против часовой стрелки (Рис. G2).

Расход при использовании различных насадок, входящих в комплект опрыскивателя

	Номинальный расход (л/мин)	Максимальное рабочее давление (л/мин)	Оптимальное рабочее давление (л/мин)
Регулируемая насадка	2,3	2,7	2,4
Веерная насадка	2,3	2,7	2,4
Дождевая насадка	2,3	2,9	2,7
Вспенивающая насадка	2,3	2,7	2,4

RU

РАСПЫЛЕНИЕ ХИМИЧЕСКИХ ПРЕПАРАТОВ ДЛЯ ДОМА И САДА (Рис. Н)

⚠ ПРЕДУПРЕЖДЕНИЕ. Никогда не направляйте насадку на себя и других людей.

⚠ ПРЕДУПРЕЖДЕНИЕ. Не курите, не ешьте и не пейте во время работы с опрыскивателем.

⚠ ПРЕДУПРЕЖДЕНИЕ. Никогда не распыляйте жидкость в направлении людей и животных, всегда распыляйте с подветренной стороны.

⚠ ПРЕДУПРЕЖДЕНИЕ. Риск возгорания или взрыва. Зона распыления должна хорошо проветриваться и находиться вдали от искр и пламени.

1. Установите аккумулятор.
2. Поверните регулятор скорости, чтобы установить желаемую скорость распыления.
3. Направьте насадку непосредственно на растения или предметы, которые необходимо обработать.

ПРИМЕЧАНИЕ. Стойте на достаточном расстоянии от обрабатываемого объекта, чтобы брызги не попадали на вас.

4. Чтобы включить опрыскиватель, нажмите на курок.
5. Чтобы остановить опрыскиватель, отпустите курок.
6. Всегда опорожняйте и очищайте бак после каждого использования в соответствии с инструкциями в разделе «ОБСЛУЖИВАНИЕ».

СОВЕТЫ ПО ЭКСПЛУАТАЦИИ

- Отрегулируйте плечевые ремни таким образом, чтобы опрыскиватель располагался выше талии, а бак плотно прилегал к спине.
- Избегайте опрыскивания в ветреные дни. Распыляемое вещество может случайно попасть на растения или предметы, которые не следует опрыскивать.
- Опрыскивайте рано утром или поздно вечером, особенно в теплую погоду. Избыточное тепло может привести к испарению жидкости до того, как она осядет.

ОБСЛУЖИВАНИЕ

⚠ ПРЕДУПРЕЖДЕНИЕ. При ремонте используйте только идентичные запасные части. Использование других запасных частей может привести к возникновению опасной ситуации или повреждению устройства. Для обеспечения безопасности и надежности устройства его ремонт должен выполнять квалифицированный специалист.

⚠ ПРЕДУПРЕЖДЕНИЕ. Во избежание серьезных травм извлекайте аккумулятор из опрыскивателя перед обслуживанием, чисткой, заменой насадок, выполнением любого технического обслуживания, а также когда распылитель не используется. Опрыскиватель с установленным аккумулятором всегда может случайно включиться.

ОБЩЕЕ ОБСЛУЖИВАНИЕ

Все работы по обслуживанию опрыскивателя, кроме приведенных в настоящей инструкции, должны выполняться квалифицированными специалистами.

ОЧИСТКА

Не используйте растворители для очистки пластиковых частей. Большинство пластиковых частей чувствительны к различным бытовым растворителям и могут быть повреждены. Для очистки от грязи, пыли, масла, смазки и т. п. используйте чистую ткань.

⚠ ПРЕДУПРЕЖДЕНИЕ. Не допускайте попадания на пластиковые части тормозной жидкости, бензина, продуктов на нефтяной основе, пропитывающих масел и т. д. Химические вещества могут повредить, ослабить или разрушить пластик, что приведет к получению серьезных травм.

⚠ ПРЕДУПРЕЖДЕНИЕ. При очистке опрыскивателя

НЕ ПОГРУЖАЙТЕ его в воду и другие жидкости.

⚠ ПРЕДУПРЕЖДЕНИЕ. Всегда храните и утилизируйте химикаты правильно. Утилизация загрязненной промывочной воды должна производиться в соответствии с местным законодательством.

- Если после распыления в баке осталась жидкость, слейте ее перед очисткой.
- Для очистки внешней поверхности бака всегда используйте только мягкую сухую ткань. Никогда не используйте моющие средства или спирт.
- Наполните бак примерно на треть чистой водой. Распыляйте до тех пор, пока бак не опорожнится. Направляйте струю только на участок, который не будет поврежден распыляемым раствором.
- Наполните резервуар чистой водой и повторите процедуру. Возможно, придется промыть бак несколько раз, а затем снова слить воду, как указано выше.
- Дайте всем деталям полностью высохнуть, прежде чем собрать устройство и убрать его на хранение.

ОБСЛУЖИВАНИЕ НАСАДОК

⚠ ПРЕДУПРЕЖДЕНИЕ. Убедитесь, что обслуживание насадки выполнено надлежащим образом, чтобы предотвратить утечку воды. Утечки могут привести к образованию скользкой поверхности, создающей опасность соскальзывания, падения или причинения материального ущерба.

Неравномерный рисунок распыления или утечка могут быть результатом засорения или загрязнения насадки.

1. Выключите опрыскиватель и извлеките аккумулятор.
2. **Очистка регулируемой насадки (Рис. I1).**
 - a. Открутите и снимите рифленую (текстурированную) часть регулируемой насадки.
 - b. Используйте тонкую проволоку (не входит в комплект), чтобы удалить мусор из поперечных отверстий. При необходимости промойте поперечные отверстия и насадку чистой водой.
 - c. Протрите насадку чистой сухой тканью и установите ее на место.
3. **Очистка верхней и вспенивающей насадки (Рис. I2).**
 - a. Открутите и снимите насадку с распылительной трубки.

- b. Используйте тонкую проволоку (не входит в комплект), чтобы удалить мусор из отверстий. При необходимости промойте насадку чистой водой.
- c. Протрите насадку чистой сухой тканью и установите ее на место.

ТРАНСПОРТИРОВКА И ХРАНЕНИЕ (Рис. J)

- Извлеките аккумулятор.
- Поверните регулятор скорости в выключенное положение (красная точка на регуляторе, указывающая на распылительную трубку).
- Тщательно очистите опрыскиватель.
- Опорожните бак, шланг и распылительную трубку.

ПРИМЕЧАНИЕ. Перед хранением, особенно зимним, обязательно опорожните бак, шланг и распылительную трубку, чтобы предотвратить замерзание и повреждение устройства, в противном случае устройство не запустится после зимнего хранения.

- Закрепите распылительную трубку в основании и зажиме для хранения.

J-1	Зажим для хранения	J-3	Ручка для переноски
J-2	Основание		

- При транспортировке поднимайте опрыскиватель за ручку для переноски или переносите его с помощью ременной обвязки.
- Храните опрыскиватель в хорошо проветриваемом помещении.
- Храните вдали от источников коррозии, таких как садовые удобрения и техническая соль.

Защита окружающей среды



Не выбрасывайте электроприборы, зарядные устройства и аккумуляторные батареи вместе с бытовыми отходами!

Отправьте данное изделие на переработку в специализированное предприятие или сдайте его для раздельного сбора. Электроинструменты должны быть возвращены на перерабатывающее предприятие, не наносящее ущерба окружающей среде.

RU

УСТРАНЕНИЕ НЕПОЛАДOK

ПРОБЛЕМА	ПРИЧИНА	РЕШЕНИЕ
Распылитель не запускается.	<ul style="list-style-type: none"> ■ Аккумулятор не полностью вставлен в отсек. ■ Нет электрического контакта между опрыскивателем и аккумулятором. ■ Аккумулятор разряжен. ■ Аккумулятор или опрыскиватель перегрелись. 	<ul style="list-style-type: none"> ■ Убедитесь, что аккумулятор полностью вставлен в отсек. ■ Извлеките аккумулятор, проверьте контакты и установите его снова. ■ Зарядите аккумулятор. ■ Выключите опрыскиватель и дайте аккумулятору и опрыскивателю остыть, пока температура не упадет до рекомендуемого значения.
<div style="background-color: black; color: white; padding: 2px 5px; font-weight: bold;">RU</div> Двигатель работает, но струя не выходит из насадки.	<ul style="list-style-type: none"> ■ Низкий уровень жидкости в баке. ■ Во время работы засорилась насадка. 	<ul style="list-style-type: none"> ■ Убедитесь, что в баке достаточно жидкости. ■ Очистите насадки в соответствии с информацией в разделе «ОБСЛУЖИВАНИЕ НАСАДОК» и соберите в соответствии с инструкциями.
Утечка жидкости между рукояткой управления и трубкой.	<ul style="list-style-type: none"> ■ Концевой колпачок трубки открутился. 	<ul style="list-style-type: none"> ■ Затяните концевой колпачок.
Утечка жидкости между распылительной трубкой и насадкой.	<ul style="list-style-type: none"> ■ Насадка плохо закреплена или неправильно установлена. 	<ul style="list-style-type: none"> ■ Правильно и надежно установите насадку в соответствии с инструкциями в разделе «РЕГУЛИРОВКА И ЗАМЕНА НАСАДОК».

ГАРАНТИЯ

ГАРАНТИЙНАЯ ПОЛИТИКА EGO

Посетите веб-сайт egopowerplus.eu, чтобы ознакомиться со всеми условиями и сроками гарантийной политики EGO.

PRZECZYTAJ WSZYSTKIE INSTRUKCJE!



PRZECZYTAJ INSTRUKCJĘ OBSŁUGI

⚠ OSTRZEŻENIE: Aby zagwarantować bezpieczeństwo i niezawodność, wszystkie naprawy powinny być wykonywane przez wykwalifikowanych techników serwisu.

⚠ OSTRZEŻENIE: Przed rozpoczęciem używania narzędzia należy koniecznie przeczytać ze zrozumieniem wszystkie instrukcje dotyczące bezpieczeństwa podane w podręczniku użytkownika, łącznie z wszystkimi symbolami ostrzegawczymi takimi jak „**NIEBEZPIECZEŃSTWO**”, „**OSTRZEŻENIE**” i „**OSTROŻNIE**”. Niestosowanie się do wszystkich podanych niżej instrukcji może doprowadzić do porażenia prądem, pożaru i/lub poważnych urazów ciała.

WSZYSTKIE OSTRZEŻENIA I INSTRUKCJE NALEŻY ZACHOWAĆ NA PRZYSZŁOŚĆ.

SYMBOLE BEZPIECZEŃSTWA

⚠ OSTRZEŻENIE: Praca elektronarzędziami może spowodować wyrzucenie ciał obcych w oczy użytkownika, co może doprowadzić do poważnych urazów oczu. Przed rozpoczęciem pracy elektronarzędziem należy zawsze założyć gogle ochronne lub okulary z osłonami bocznymi, a w stosownych przypadkach także pełną osłonę na twarz. Zalecamy nakładanie na zwykłe okulary maski zabezpieczającej o szerokim polu widzenia lub stosowanie standardowych okularów zabezpieczających z osłonami bocznymi.

PL



Ostrzeżenie dotyczące bezpieczeństwa



Aby zmniejszyć ryzyko urazów, przed rozpoczęciem używania urządzenia, użytkownik musi przeczytać i zrozumieć instrukcję.



Nosić odzież ochronną.



Osoby postronne należy trzymać z daleka podczas opryskiwania.



Nosić osłonę twarzy.



Ten produkt jest zgodny z obowiązującymi dyrektywami WE.



Gwarantowany poziom mocy akustycznej. Emisja hałasu do środowiska zgodnie z dyrektywą Wspólnoty Europejskiej.



Produkt jest zgodny z dyrektywami obowiązującymi w Wielkiej Brytanii.



Zużytych wyrobów elektrycznych nie należy wyrzucać razem ze zwykłymi odpadami domowymi. Należy je oddać do autoryzowanego punktu recyklingu.

IPX4

Zabezpieczenie przed zachlapaniem wodą



Prąd stały

./min

Na minutę

V

Napięcie

n_0

Prędkość bez obciążenia

mm

Milimetr

OSTRZEŻENIA OGÓLNE

▲ OSTRZEŻENIE: Prosimy przeczytać wszystkie ostrzeżenia i instrukcje oraz przestudiować specyfikację i ilustracje dostarczone wraz z maszyną. Niestosowanie się do wszystkich podanych niżej instrukcji może doprowadzić do porażenia prądem, pożaru i/lub poważnych obrażeń.

Wszystkie ostrzeżenia i instrukcje należy zachować na przyszłość.

Termin „maszyna” występujący w ostrzeżeniach dotyczy maszyny elektrycznej o zasilaniu sieciowym (przewodowej) lub akumulatorowym (beprzewodowej).

BEZPIECZEŃSTWO W MIEJSCU PRACY

- **Należy dbać o czystość i dobre oświetlenie w miejscu pracy.** Bałagan i złe oświetlenie sprzyjają wypadkom.
- **Maszyn nie należy używać w miejscach zagrożonych wybuchem, np. w obecności łatwopalnych cieczy, gazów lub pyłu.** Maszyny wytwarzają iskry, które mogą zapalić pył lub opary.
- **W czasie pracy maszynę należy trzymać z dala od dzieci i osób postronnych.** Chwila nieuwagi może spowodować utratę kontroli nad urządzeniem.

BEZPIECZEŃSTWO ELEKTRYCZNE

- **Wtyczki maszyny muszą pasować do gniazdka. Nigdy w jakikolwiek sposób nie wolno przerabiać wtyczki. Do maszyn wymagających uziemienia nie należy używać przejściówek.** Oryginalne wtyczki i pasujące do nich gniazdka zmniejszają ryzyko porażenia prądem.
- **Należy unikać dotykania ciałem powierzchni uziemionych, takich jak np. rury, kaloryfery, kuchenki i lodówki.** Uziemienie ciała zwiększa ryzyko porażenia prądem.
- **Maszyny należy chronić przed deszczem i wilgocią.** Woda dostająca się do maszyny zwiększa ryzyko porażenia prądem.
- **Nie należy nadwyryzać przewodu. Nigdy nie należy używać przewodu do noszenia lub ciągnięcia maszyny; nie wolno chwytać za przewód, aby wyjąć wtyczkę z kontaktu. Przewód należy chronić przed gorącym, ropą, olejem, ostrymi krawędziami i poruszającymi się częściami.** Splątane lub uszkodzone przewody zwiększają ryzyko porażenia prądem.
- **Podczas używania maszyny na dworze należy stosować przedłużacz nadający się do używania**

na dworze. Używanie przewodu przeznaczonego do stosowania na dworze zmniejsza ryzyko porażenia prądem.

- **Jeżeli użycie maszyny w miejscu o dużej wilgotności jest nieuniknione, należy stosować zasilanie zabezpieczone wyłącznikiem różnicowoprądowym.** Używanie wyłącznika różnicowoprądowego zmniejsza ryzyko porażenia prądem.

BEZPIECZEŃSTWO OSOBISTE

- **Podczas używania maszyny należy zachowywać czujność, patrzeć, co się robi i kierować się zdrowym rozsądkiem. Nie należy używać maszyny, gdy użytkownik jest zmęczony, albo pod wpływem narkotyków, alkoholu lub leków.** Chwila nieuwagi w czasie posługiwania się maszyną może spowodować poważne urazy.
- **Należy używać środków ochrony osobistej. Należy zawsze nosić okulary ochronne.** Stosowanie w odpowiednich warunkach sprzętu ochronnego takiego jak np. maska przeciwpyłowa, obuwie ochronne z podeszwami antypoślizgowymi, kask lub ochronniki słuchu zmniejszą ewentualne obrażenia.
- **Nie należy dopuszczać do przypadkowego włączenia. Należy pilnować, aby przed podłączeniem maszyny do zasilania i/lub baterii akumulatorowej oraz przed podniesieniem i przenoszeniem przełącznik był ustawiony w pozycji „wyłączone”.** Trzymanie palca na przełączniku włączającym w czasie przenoszenia maszyn lub podłączanie ich do zasilania, gdy przełącznik ustawiony jest w pozycji „włączone”, może doprowadzić do wypadku.
- **Przed włączeniem maszyny należy usunąć wszystkie klucze regulacyjne i inne narzędzia.** Klucz zaczepiony o obracającą się część maszyny może spowodować obrażenia.
- **Nie należy sięgać za daleko. Należy zawsze dbać o utrzymanie równowagi i pewne podparcie nóg.** W nieprzewidzianych sytuacjach zapewnią to lepszą kontrolę nad maszyną.
- **Należy nosić odpowiednią odzież. Nie powinno się nosić luźnych ubrań ani biżuterii. Włosy i odzież należy trzymać w bezpiecznej odległości od poruszających się części.** Luźne ubrania, biżuteria lub długie włosy mogą zaczepić się o poruszające się części.
- **Jeżeli urządzenie jest przystosowane do podłączania do odsysacza pyłu i urządzenia zbierającego, należy dopilnować, aby systemy te**

były podłączone i właściwie stosowane. Używanie systemów służących do pochłaniania pyłu może zmniejszyć zagrożenia związane z pyłem.

- **Nie wolno dopuścić do tego, aby poczucie znajomości maszyn wynikające z ich częstego używania doprowadziło do lekceważenia i ignorowania zasad bezpieczeństwa.** Jedno lekkomyślne działanie może w ułamku sekundy doprowadzić do ciężkich urazów.

UŻYWANIE I UTRZYMANIE MASZyny

- **Maszyny nie należy forsować. Należy używać maszyny odpowiedniej do wykonywanej pracy.** Odpowiednia maszyna wykona pracę lepiej i bezpieczniej, gdy pozwoli się jej pracować z prędkością/obrotami do jakich została zaprojektowana.
- **Nie należy używać maszyn, jeżeli przełącznik zasilania nie włącza jej lub nie wyłącza.** Maszyna, której nie da się kontrolować przełącznikiem, jest potencjalnie niebezpieczna i wymaga naprawy.
- **Przed przystąpieniem do regulacji maszyny oraz przed wymianą akcesoriów lub odłożeniem maszyny na miejsce, należy odłączyć ją od zasilania i/lub wyjąć akumulator.** Tego typu zapobiegawcze środki ostrożności zmniejszają ryzyko przypadkowego włączenia się maszyny.
- **Nieużywane maszyny należy przechowywać w miejscu niedostępnym dla dzieci. Nie wolno dopuszczać do obsługi maszyn przez osoby, które nie znają maszyn lub nie zapoznają się z niniejszą instrukcją.** W rękach nieprzeszkolonych użytkowników maszyny mogą stanowić zagrożenie.
- **Maszyny i akcesoria należy utrzymywać w dobrym stanie. Należy kontrolować, czy części ruchome nie są odchyłone od osi, nie zacinają się i nie są pęknięte lub uszkodzone w inny sposób, który mógłby wpłynąć na działanie maszyny. Jeśli maszyna jest uszkodzona, przed użyciem należy ją naprawić.** Wiele wypadków wynika ze złej konserwacji maszyn.
- **Należy dbać o czystość i naostrzenie narzędzi tnących.** Odpowiednio utrzymane narzędzia tnące z ostrymi krawędziami tnącymi są mniej narażone na zakleszczanie się i łatwiej jest je kontrolować.
- **Maszyny, akcesoriów, wiertel, bitów, itp. należy używać zgodnie z niniejszą instrukcją, z uwzględnieniem warunków i rodzaju wykonywanej pracy.** Korzystanie z maszyny niezgodnie z przeznaczeniem może doprowadzić do niebezpiecznych sytuacji.
- **Należy dbać o to, aby uchwyty i powierzchnie**

do trzymania były suche, czyste i niezaplamiłe olejem lub smarem. Śliskie uchwyty nie pozwalają w bezpieczny sposób kontrolować maszyny w nieprzewidzianych sytuacjach.

UŻYWANIE I UTRZYMANIE MASZyny AKUMULATOROWEJ

- **Do ładowania należy używać wyłącznie ładowarki wskazanej przez producenta.** Użycie ładowarki pochodzącej od jednego akumulatora do ładowania innego akumulatora grozi pożarem.
- **Maszyn należy używać wyłącznie z dedykowanymi do nich akumulatorami.** Użycie jakichkolwiek innych akumulatorów grozi obrażeniami i pożarem.
- **Jeżeli akumulator nie jest używany, należy go przechowywać z dala od innych przedmiotów metalowych, np. spinaczy, monet, kluczy, gwóźdź, śrub, wkrętów i innych drobnych przedmiotów metalowych, które mogłyby spowodować zwarcie wyprowadzeń akumulatora.** Zwarcie wyprowadzeń akumulatora może doprowadzić do oparzeń lub pożaru.
- **W niesprzyjających warunkach może dojść do wycieku cieczy z akumulatora. Należy wtedy unikać wszelkiego kontaktu z tą cieczą. W razie przypadkowego kontaktu ze skórą, zabrudzone miejsce należy obficie przemyć wodą. Jeżeli płyn dostanie się do oczu, należy dodatkowo zasięgnąć porady lekarza.** Płyn wyciekający z akumulatora może powodować podrażnienie lub oparzenia.
- **Nie należy używać akumulatorów lub maszyn, które są uszkodzone lub zostały poddane przeróbkom.** Uszkodzone lub zmodyfikowane akumulatory mogą zachowywać się w sposób nieprzewidywalny, co może doprowadzić do pożaru lub wybuchu lub stwarzać ryzyko urazów.
- **Nie należy narażać akumulatora lub maszyny na kontakt z ogniem lub zbyt wysokimi temperaturami.** Ogień lub temperatury przekraczające 130°C mogą doprowadzić do wybuchu.
- **Należy przestrzegać wszystkich instrukcji ładowania. Nie należy ładować akumulatora lub maszyny poza przedziałem temperatur podanym w instrukcji.** Ładowanie w sposób nieprawidłowy lub w temperaturze wykraczającej poza określony zakres może doprowadzić do uszkodzenia akumulatora i zwiększa ryzyko pożaru.

SERWISOWANIE

- **Serwisowanie maszyny należy powierzać wykwalifikowanemu serwisantowi. Do naprawy należy używać wyłącznie części zamiennych**

identycznych z oryginalnymi. Zapewni to bezpieczeństwo eksploatacji maszyny.

- **Uszkodzonych akumulatorów nie należy nigdy naprawiać.** Jakikolwiek czynności serwisowe przy akumulatorach powinny być wykonywane wyłącznie przez producenta lub pracowników autoryzowanego serwisu.

INSTRUKCJE BEZPIECZEŃSTWA DOTYCZĄCE UŻYWANIA AKUMULATOROWEGO OPYSKIWACZA

⚠ NIEBEZPIECZEŃSTWO: Ryzyko pożaru lub wybuchu. Nie rozpylać łatwopalnych cieczy, takich jak benzyna.

⚠ OSTRZEŻENIE:

PL

- Aby uniknąć obrażeń, zawsze nosić okulary ochronne, ochronę dróg oddechowych i ochronę skóry.
- Aby ograniczyć ryzyko porażenia prądem, nie wystawiać na działanie deszczu.
- Tylko do użytku domowego i na zewnątrz.
- Nie rozpylać łatwopalnych lub wybuchowych cieczy w pomieszczeniach zamkniętych. W przypadku rozpylenia łatwopalnej cieczy istnieje ryzyko pożaru lub wybuchu, zwłaszcza w pomieszczeniach zamkniętych.
- Obszar opryskiwania musi być dobrze wentylowany.
- Nie palić tytoniu podczas rozpylania ani nie rozpylać w miejscu, w którym występują iskry lub płomienie.
- Przed napełnieniem zbiornika należy zawsze wyjąć akumulator. Przed włożeniem akumulatora należy wytrzeć wszelkie rozlane płyny. Przestrzeganie tej zasady zmniejszy ryzyko porażenia prądem elektrycznym i przedostania się żrących płynów do akumulatora, co może spowodować awarię akumulatora, w tym zwarcie, a w rezultacie dym, pożar i/lub poważne obrażenia ciała.
- Nie wolno dopuścić do przedostania się do wnętrza akumulatora płynów przewodzących prąd lub powodujących korozję. W przypadku wylania na akumulator przewodzącego lub żrącego płynu należy zapoznać się z zaleceniami podanymi w instrukcji obsługi akumulatora.
- Przed użyciem materiałów natryskowych w tym opryskiwaczu należy dokładnie przeczytać etykietę umieszczoną na oryginalnym opakowaniu materiału i postępować zgodnie z jego zaleceniami. Niektóre materiały opryskowe są niebezpieczne i nie należy ich używać w tym opryskiwaczu, gdyż mogą uszkodzić opryskiwacz i spowodować poważne obrażenia ciała lub uszkodzenie mienia.
- Sprawdzić zawartość rozpylanej substancji chemicznej. Należy przeczytać wszystkie karty charakterystyki substancji niebezpiecznej (SDS) oraz etykiety na opakowaniach dołączone do substancji chemicznej. Postępować zgodnie z instrukcjami bezpieczeństwa producenta środka chemicznego.
- Ryzyko porażenia prądem elektrycznym. Nigdy nie rozpylać w kierunku gniazdek elektrycznych.
- Nie wlewać do zbiornika gorących lub wrzących płynów. Może to osłabić lub uszkodzić rury lub zbiornik.
- Unikać opryskiwania w wietrzne dni. Istnieje ryzyko przypadkowego rozpylenia cieczy na rośliny lub przedmioty, których nie należy opryskiwać.
- Przechowywać opryskiwacz w bezpiecznym, dobrze wentylowanym pomieszczeniu, z opróżnionym zbiornikiem na płyn.
- Nie rozpylać wybielacza ani nadtlenu wodoru.
- Nie należy rozpylać środków chemicznych na bazie alkoholu.
- Nie rozpylać proszków ani środków chemicznych o działaniu ściernym.
- Nie rozpylać cieczy żrących (alkalicznych) lub samonagrzewających się.
- Nie należy używać substancji chemicznych zagrażających środowisku, które nie są dozwolone na mocy lokalnych przepisów.
- Nie należy kierować dyszy opryskiwacza w stronę ludzi lub zwierząt domowych.
- W następujących przypadkach nigdy nie należy pozwalać używać tego urządzenia: dzieci, osoby o ograniczeniach fizycznych, czuciowych lub psychicznych, osoby bez odpowiedniego doświadczenia lub wiedzy oraz osoby, które nie zapoznały się z niniejszą instrukcją.
- Za wypadki lub szkody wyrządzone osobom trzecim i ich własności odpowiada operator lub użytkownik.
- Opryskiwacz należy stosować wyłącznie ze środkami ochrony roślin zatwierdzonymi przez lokalne/krajowe organy regulacyjne ds. środków ochrony roślin do stosowania z opryskiwaczami plecakowymi.
- Ryzyko wstrzyknięcia. Nie wyladowywać bezpośrednio na skórę. Nie zbliżać żadnej części ciała

do strumienia rozpylacza.

- Po użyciu opryskiwacza nie należy pozostawiać resztek ani pozostałości substancji w zbiorniku. Wyczyścić po każdym użyciu.
- Aby ograniczyć ryzyko pożaru lub wybuchu należy stosować ciecz o temperaturze zapłonu wyższej niż 60°C.
- Aby zmniejszyć ryzyko porażenia prądem, urządzenia nie należy wkładać do wody lub innych płynów. Nie należy stawiać lub przechowywać opryskiwacza w miejscu, w którym może on spaść lub zostać strącony do wanny lub zlewu.
- Serwisować ten produkt. Przed każdym użyciem dokładnie sprawdzić opryskiwacz zarówno od wewnątrz, jak i od zewnątrz oraz sprawdzić jego podzespoły. Sprawdzić, czy zbiornik nie jest pęknięty lub zniszczony, czy nie ma przecieków, zatkanych dysz lub czy nie brakuje żadnych części lub czy nie są one uszkodzone. W przypadku uszkodzenia należy oddać produkt do naprawy przed ponownym użyciem. Wiele wypadków wynika ze złej konserwacji produktów.
- Jeśli opryskiwacz nie jest używany, a także przed przystąpieniem do serwisowania lub czyszczenia, należy ustawić wyłącznik zasilania w pozycji wyłączonej.
- Przed opróżnieniem, czyszczeniem lub przechowywaniem opryskiwacza należy odłączyć akumulator od urządzenia. Tego typu środki ostrożności zmniejszają ryzyko przypadkowego uruchomienia.
- Należy zawsze nosić okulary ochronne z osłonami bocznymi lub gogle. Nieprzestrzeganie tego zalecenia może doprowadzić do poważnych obrażeń oczu płynami.
- Należy chronić swoje płuca. Należy nosić zatwierdzony sprzęt ochronny, taki jak maski na twarz specjalnie zaprojektowane do filtrowania aerozoli, rękawice i inny odpowiedni sprzęt ochronny. Przestrzeganie tej zasady ograniczy ryzyko poważnych urazów. Należy postępować zgodnie z instrukcjami bezpieczeństwa producenta środka chemicznego oraz wytycznymi zawartymi w karcie charakterystyki substancji niebezpiecznej.
- Substancje chemiczne i opary chemiczne mogą być niebezpieczne i powodować poważne obrażenia, trwałe uszkodzenia ciała lub śmierć w przypadku połknięcia, wdychania lub przedostania się do oczu lub na skórę. Należy postępować zgodnie z instrukcjami bezpieczeństwa producenta środka chemicznego oraz wytycznymi zawartymi w karcie

charakterystyki substancji niebezpiecznej.

- Aby zmniejszyć ryzyko obrażeń, w przypadku używania opryskiwacza w pobliżu dzieci należy zachować zdwojoną ostrożność.
- Nie dotykać ruchomych części.
- Należy używać wyłącznie osprzętu zalecanego lub sprzedawanego przez producenta.
- Nie należy dopuszczać do przypadkowego włączenia. Należy pilnować, aby przed podłączeniem urządzenia do akumulatora oraz przed podniesieniem i przeniesieniem przełącznik był ustawiony w pozycji „wyłączone”. Trzymanie palca na przełączniku włączającym w czasie przenoszenia urządzenia lub podłączanie urządzenia do zasilania, gdy przełącznik ustawiony jest w pozycji „włączone”, może doprowadzić do wypadku.

NINIEJSZĄ INSTRUKCJĘ NALEŻY ZACHOWAĆ

SPECYFIKACJA

Napięcie znamionowe	56 V
Maks. Pojemność zbiornika	15L
Maks. Ciśnienie robocze	24 barów
Maks. Przepływ cieczy natryskowej (z regulowaną dyszą, tryb natrysku)	2,3 l/min
Średnica filtra wlotowego	35 mm
Rozmiar oczek filtra wlotowego	0,35 mm
Średnica filtra wylotowego	124 mm
Waga (masa sucha, bez akumulatora)	7,6 kg
Zalecana temperatura użytkowania	5°C-40°C
Zalecana temperatura przechowywania	-20°C-70°C
Zalecana temperatura ładowania	5°C-40°C

PL

⚠ OSTRZEŻENIE: Przed użyciem opryskiwacza plecakowego należy sprawdzić, czy jego całkowita masa, uwzględniająca urządzenie, płyn w zbiorniku oraz dyszę

i używany akumulator, nie przekracza 25 kg, aby uniknąć obrażeń lub utraty równowagi.

- Deklarowana całkowita wartość drgań została zmierzona zgodnie ze standardowymi metodami testowania i może służyć do porównywania różnych narzędzi.
- Deklarowana całkowita wartość drgań może również służyć do wstępnej oceny narażenia na drgań.

INFORMACJA: Emisja drgań podczas rzeczywistego stosowania elektronarzędzia może się różnić od deklarowanej wartości, w której narzędzie jest używane. Aby się zabezpieczyć, w rzeczywistych warunkach użytkowania użytkownik powinien nosić rękawice i nauszники ochronne.

LISTA ELEMENTÓW W OPAKOWANIU (RYS. A1)

PL

OPIS

POZNAJ SWÓJ OPRYSKIWACZ (RYS. A1)

1. Wąż
2. Komora akumulatora
3. Zbiornik
4. Korek zbiornika
5. Uchwyt do przenoszenia
6. Regulowana uprząż nośna
7. Pokrętko prędkości
8. Dźwignia blokady
9. Wyzwalacz WŁ./WYŁ.
10. Uchwyt sterujący
11. Zaślepka
12. Lanca natryskowa
13. Regulowana dysza
14. Dysza wentylatora
15. Dysza spieniająca
16. Dysza prysznicowa

MONTAŻ

⚠ OSTRZEŻENIE: W przypadku braku lub uszkodzenia którejs z części nie należy uruchamiać urządzenia aż do momentu wymiany lub naprawy części. Używanie urządzenia z uszkodzonymi częściami lub gdy którejs z

części brakuje może doprowadzić do poważnych urazów ciała.

⚠ OSTRZEŻENIE: Nie należy próbować przerabiać urządzenia lub tworzyć akcesoriów, które nie są zalecane do używania w produkcie. Wszelkie tego typu zmiany lub modyfikacje są niedozwolone i mogą prowadzić do niebezpiecznych sytuacji oraz poważnych urazów ciała.

⚠ OSTRZEŻENIE: Aby zapobiec przypadkowemu włączeniu, które mogłoby spowodować ciężkie urazy, na czas mocowania części, regulacji, czyszczenia lub gdy urządzenie nie jest używane, z urządzenia należy zawsze wyjmować akumulator.

- Produkt wymaga złożenia.
- Produkt i jego akcesoria należy ostrożnie wyjąć z opakowania. Należy upewnić się, że znajdują się w nim wszystkie elementy wymienione na „**liście pakowania**”.
- Aby mieć pewność, że w czasie transportu nie doszło do żadnych usterek i uszkodzeń, produkt należy dokładnie skontrolować.
- Zanim dokładnie nie sprawdzi się produktu i nie przekona się o jego poprawnym działaniu, nie należy wyrzucać opakowania.
- Jeśli jakkolwiek część jest uszkodzona lub jej brakuje, należy oddać produkt do miejsca zakupu.

PODŁĄCZANIE LANCY NATRYSKOWEJ DO UCHWYTU STERUJĄCEGO

1. Należy zaślepkę końcówki lancy na uchwyt sterujący i mocno dokręcić zgodnie z ruchem wskazówek zegara (Rys. B).
2. Pociągnij za lancę natryskową, aby upewnić się, że jest prawidłowo zamocowana.

UŻYTKOWANIE

⚠ OSTRZEŻENIE: Nie wolno dopuść do tego, aby znajomość narzędzia doprowadziła do nieuwagi. Należy pamiętać, że do spowodowania poważnych obrażeń wystarczy zaledwie chwila nieuwagi.

⚠ OSTRZEŻENIE: Należy używać sprzętu ochronnego. Chronić oczy, skórę i płuca podczas mieszania, napelniania, rozpylania i czyszczenia. Niedopełnienie tego obowiązku może skutkować poważnymi obrażeniami ciała i uszkodzeniem mienia.

⚠ OSTRZEŻENIE: Aby zapobiec poważnym

obrażeniom ciała, wyjąć akumulator z urządzenia przed serwisowaniem, czyszczeniem, wymianą elementów mocujących, napełnianiem lub opróżnianiem zbiornika.

⚠ OSTRZEŻENIE: Nie należy używać końcówek lub akcesoriów innych niż zalecane przez producenta produktu. Używanie końcówek lub akcesoriów innych niż zalecane może doprowadzić do poważnych obrażeń.

Przed każdym użyciem należy skontrolować cały produkt pod kątem uszkodzonych, brakujących lub obluzowanych części takich jak śruby, wkręty, nakrętki, nasadki itp. Wszystkie elementy połączeniowe i nasadki należy mocno dokręcić. Nie należy używać produktu zanim wszystkie brakujące lub uszkodzone części nie zostaną wymienione.

PRZEZNACZENIE

Urządzenia można używać wyłącznie do celów podanych poniżej:

- Nawożenie i podlewanie roślin.
- Opryskiwanie herbicydami, pestycydami i fungycydami.

INFORMACJA: Produkt przeznaczony jest wyłącznie do stosowania w ogrodnictwie i rolnictwie.

INFORMACJA: Produktu należy używać wyłącznie zgodnie z przeznaczeniem. Wszelkie inne zastosowania uznaje się za niezgodne z przeznaczeniem.

⚠ OSTRZEŻENIE: Niewłaściwe zastosowanie środków chemicznych lub roztworów może skutkować POWAŻNYMI OBRAŻENIAMI lub ŚMIERCIĄ. Należy postępować zgodnie z instrukcjami bezpieczeństwa producenta środka chemicznego oraz wytycznymi zawartymi w karcie charakterystyki substancji niebezpiecznej.

NAPEŁNIANIE ZBIORNIKA (Rys. C)

⚠ OSTRZEŻENIE: Zawsze przestrzegać instrukcji producenta środków chemicznych zamieszczonych na etykiecie produktu, dotyczących sposobu stosowania, czyszczenia i przechowywania. Nie łączyć substancji chemicznych. Dokładnie wyczyścić zbiornik po każdym użyciu, postępując zgodnie z instrukcjami podanymi w części „KONSERWACJA” niniejszej instrukcji. Substancje chemiczne należy przechowywać w miejscu niedostępnym dla dzieci. Niedopełnienie tego obowiązku może skutkować poważnymi obrażeniami ciała.

⚠ OSTRZEŻENIE: Aby uniknąć obrażeń i utraty równowagi, należy upewnić się, że ilość cieczy dodana do

zbiornika nie spowoduje, że całkowita waga opryskiwacza, uwzględniając maszynę, ciecz w zbiorniku oraz używaną dyszę i akumulator, przekroczy 25 kg.

Rozpylane substancje chemiczne muszą być tak rzadkie jak woda. Gęstsze płyny nie będą rozpylane prawidłowo. Nie przepelniać zbiornika.

1. Wyjąć akumulator.
2. Odkręcić korek zbiornika w kierunku przeciwnym do ruchu wskazówek zegara i wyjąć go ze zbiornika.
3. Ustawić opryskiwacz na równej powierzchni.
4. Napełnić zbiornik żądaną ilością wody.
5. Odmierzyć zalecaną ilość płynnej substancji chemicznej.
6. Ostrożnie wlać płynną substancję chemiczną do zbiornika.
7. Przykręcić korek zbiornika z powrotem do opryskiwacza i upewnić się, że jest dobrze dokręcony.

Roztwory do oprysku można wcześniej wymieszać i wlać do opryskiwacza.

INFORMACJA: Jeśli do przechowywania płynu używany jest pojemnik miarowy, należy pamiętać o dokładnym umyciu i wypłukaniu pojemnika po użyciu. Jeśli wstępnie mieszasz roztwór do oprysku, przepłucz pojemnik, w którym mieszałeś.

INFORMACJA: Ważne jest dokładne wyczyszczenie opryskiwacza po każdym użyciu. Pozostawienie cieczy w niepracującym opryskiwaczu przez dłuższy czas może spowodować zatarcie się jego ruchomych części i złączy.

ZAKŁADANIE/WYJMOWANIE AKUMULATORA

Do urządzenia należy używać wyłącznie ładowarek i akumulatorów marki EGO wymienionych na Rys. A2.

Więcej informacji znaleźć można w instrukcjach do odpowiednich akumulatorów i ładowarek.

Naładować przed pierwszym użyciem.

1. Unieść przód pokrywy, aby podnieść pokrywę komory akumulatorów (Rys. D1).
2. **Aby założyć akumulator,** należy dopasować żeberka akumulatora do szczelin mocujących i wsunąć akumulator do komory aż da się słyszeć „kliknięcie” (Rys. D1).
3. **Aby wyjąć akumulator,** wystarczy wcisnąć przycisk odblokowujący akumulator i wysunąć akumulator (Rys. D2).
4. Zamknąć pokrywę komory akumulatora.

PL

⚠ OSTRZEŻENIE: Gdy użytkownik naciska przycisk odblokowujący akumulator, należy mieć zawsze świadomość tego, gdzie znajdują się stopy użytkownika, dzieci i zwierzęta. Upuszczenie akumulatora może doprowadzić do poważnych urazów. NIGDY nie należy wyjmować akumulatora na znacznej wysokości.

⚠ OSTRZEŻENIE: Przed rozpoczęciem użytkowania należy sprawdzić, czy zatrzask na opryskiwaczu zatrzasknął się na swoim miejscu, akumulator jest odpowiednio zamocowany w opryskiwaczu, a pokrywa komory akumulatora jest całkowicie zamknięta. Niepewne zamocowanie akumulatora może spowodować jego wypadnięcie, co może skutkować poważnymi urazami.

⚠ OSTRZEŻENIE: Aby uniknąć poważnych obrażeń ciała, na czas przenoszenia i transportowania narzędzia należy zawsze wyjmować akumulator. Ręce należy trzymać z dala od uchwytu sterującego.

PL

USTAWIANIE OPRYSKIWACZA PLECAKOWEGO W ODPOWIEDNIEJ POZYCJI

⚠ OSTRZEŻENIE: Aby zmniejszyć ryzyko obrażeń podczas obsługi urządzenia, należy odpowiednio się ubrać. Nie powinno się nosić luźnych ubrań ani biżuterii. Należy zakładać okulary ochronne. Należy nosić ciężkie długie spodnie, solidne buty i rękawice. Nie należy nosić krótkich spodni i sandałów, nie należy też używać narzędzia na bosą.

Przed użyciem opryskiwacza plecakowego należy upewnić się, że operator ma na sobie okulary ochronne i odpowiednią odzież oraz jest w stanie utrzymać równowagę.

Regulacja uprząży nośnej

1. Przełożyć ręce przez pasek plecaka, aby włożyć sobie opryskiwacz na plecy.
2. Tymczasowo wyregulować obydwa paski naramienne w wygodnej pozycji (Rys. E1), upewnić się, aby w wygodnej pozycji znajdował się również łokieć.
3. Zatrzasknąć klamrę piersiową i w razie potrzeby wyregulować długość pasa piersiowego (Rys. E2).
4. Zatrzasknąć klamrę w pasie i wyregulować długość pasa w talii tak, aby plecak był bezpiecznie podparty na biodrach (Rys. E3 i E4).

UWAGA: Plecak nie może znajdować się na plecach zbyt wysoko; powinno się go umieścić raczej bliżej bioder niż blisko ramion.

⚠ OSTRZEŻENIE: W sytuacji awaryjnej należy natychmiast zwolnić klamrę na klatce piersiowej i w talii, aby zdjąć pasek plecaka z każdej strony. Jest to metoda szybkiego uwalniania.

5. Poprawić paski naramienne tak, aby były bezpieczne i wygodne. Upewnić się, że plecak bezpiecznie spoczywa na plecach użytkownika, ciężar plecaka powinien być podtrzymywany pasem biodrowym, plecak nie może się nadmiernie poruszać podczas poruszania się użytkownika (Rys. E5).
6. Nadmiarową długość pasa biodrowego zamocować z obu stron gumką (Rys. E6).
7. Aby zdjąć plecak z pleców, wystarczy nacisnąć i otworzyć klamrę w pasie i na piersi i opuścić opryskiwacz (Rys. E7).

URUCHAMIANIE/ZATRZYMYWANIE OPRYSKIWACZA (RYS. F)

Pokręto prędkości

1. Aby zwiększyć szybkość przepływu, należy przekręcić pokręto prędkości zgodnie z ruchem wskazówek zegara.

F-1	Pokręto prędkości	F-3	Wyzwalacz WŁ./WYŁ.
F-2	Dźwignia blokady		

2. Aby zmniejszyć szybkość przepływu, należy przekręcić pokręto prędkości przeciwnie do ruchu wskazówek zegara.
3. Aby wyłączyć opryskiwacz, należy kontynuować kręcenie pokrętłem do pozycji wyłączenia „OFF”.

⚠ OSTRZEŻENIE: Aby zapobiec przypadkowemu uruchomieniu, ustawić pokręto prędkości w pozycji wyłączonej (czerwona kropka na pokrętle wskazuje na lancę natryskową).

⚠ OSTRZEŻENIE: Przed schowaniem urządzenia, pozostawieniem go na dłuższy czas lub wymianą akumulatora należy zawsze ustawić pokręto prędkości w pozycji wyłączonej (czerwona kropka na pokrętle wskazuje na lancę natryskową).

Wyzwalacz WŁ./WYŁ.

1. Nacisnąć wyzwalacz WŁ./WYŁ., aby włączyć opryskiwacz.
2. Zwolnić wyzwalacz, aby zatrzymać przepływ.

Dźwignia blokady

Dźwignia blokady jest wygodna podczas dłuższego opryskiwania lub pokrywania dużego obszaru.

1. Aby zablokować wyzwalacz WŁ./WYŁ., nacisnąć dźwignię blokady po naciśnięciu wyzwalacza.
2. Aby zwolnić wyzwalacz WŁ./WYŁ., pociągnąć dźwignię blokady.

INFORMACJA: Przed włożeniem akumulatora do opryskiwacza należy upewnić się, że wyzwalacz nie jest zablokowany.

REGULACJA I WYMIANA DYSZ

⚠ OSTRZEŻENIE: Aby zapobiec poważnym obrażeniom ciała, przed regulacją lub wymianą dysz należy wyjąć akumulator.

Opryskiwacz wyposażony jest w cztery dysze: Dysza regulowana, dysza wentylatora, dysza prysznicowa i dysza spieniąjąca. Przed rozpoczęciem pracy należy zmienić dyszę tak, aby odpowiadała zadaniu.

Regulowana dysza (Rys. G1): Opryskiwanie punktowe kłombów, ścieżek, podjazdów, tarasów oraz wokół drzew i krzewów. Obrzeża ogrodzeń, podjazdów i ścieżek. Uswanie krzaków.

Dysza wentylatora (Rys. G3): Plaski strumień zapewniający bardzo szerokie pokrycie i do cieczy o wyższej lepkości. Przygotowanie dużych obszarów pod zalesianie.

G-1	Dysza wentylatora	G-3	Dysza spieniąjąca
G-2	Dysza prysznicowa		

Dysza prysznicowa (Rys. G3): Zapewnia większy przepływ wody do podlewania i oczyszczania roślin.

Dysza spieniąjąca (Rys. G3): Widocznie oznacza chwasty poddane zabiegowi. Opryskiwanie punktowe chwastów na trawniku, wokół kłombów, drzew i krzewów. Obrzeża ogrodzeń, podjazdów i chodników.

Regulowaną dyszę można ustawić pomiędzy strumieniem a mgiełką (Rys. G1).

1. Aby uzyskać strumień, przekręcić radełkowaną (teksturalną) część dyszy w kierunku przeciwnym do ruchu wskazówek zegara.
2. Aby uzyskać strumień natryskiwania, przekręcić radełkowaną (teksturalną) część dyszy zgodnie z ruchem wskazówek zegara.

Aby wyjąć i wymienić dyszę, odkręcić całą dyszę w kierunku przeciwnym do ruchu wskazówek zegara (Rys. G2).

Przepływ różnych dysz dołączonych do opryskiwacza:

	Nominalne natężenie przepływu (l/min)	Maksymalne ciśnienie robocze (l/min)	Optymalne ciśnienie robocze (l/min)
Regulowana dysza	2,3	2,4	2,4
Dysza wentylatora	2,3	2,4	2,4
Dysza prysznicowa	2,3	2,7	2,7
Dysza spieniąjąca	2,3	2,4	2,4

ROZPYLANIE ŚRODKÓW CHEMICZNYCH DO UŻYTKU DOMOWEGO I OGRODOWEGO (Rys. H)

⚠ OSTRZEŻENIE: Nigdy nie kierować końcówki urządzenia w stronę siebie ani innych osób.

⚠ OSTRZEŻENIE: Nigdy nie palić, nie jeść i nie pić podczas korzystania z opryskiwacza.

⚠ OSTRZEŻENIE: Nigdy nie rozpylać w kierunku ludzi lub zwierząt; zawsze rozpylać z wiatrem.

⚠ OSTRZEŻENIE: Ryzyko pożaru lub wybuchu. Miejsce natryskiwania musi być dobrze wentylowane i oddalone od iskier i płomieni.

1. Zainstalować akumulator.
2. Ustawić żądaną szybkość przepływu za pomocą pokrętła prędkości.
3. Skierować dyszę opryskiwacza bezpośrednio na rośliny lub przedmioty, które chcesz opryskać.

UWAGA: Upewnić się, że stoisz w odpowiedniej odległości od spryskiwanego przedmiotu, aby zapobiec rozchłapywaniu się cieczy na siebie.

4. Wcisnąć wyzwalacz, by uruchomić narzędzie.
5. Zwolnić wyzwalacz, aby zatrzymać opryskiwacz.
6. Zawsze opróżniać i czyścić zbiornik po każdym użyciu, zgodnie z instrukcjami podanymi w części „KONSERWACJA”.

PL

WSKAZÓWKI DOTYCZĄCE UŻYTKOWANIA

- Wyregulować paski naramienne uprząży tak, aby opryskiwacz znajdował się powyżej talii, a zbiornik blisko pleców.
- Unikać opryskiwania w wietrzne dni. Istnieje ryzyko przypadkowego rozpylenia cieczy na rośliny lub przedmioty, których nie należy opryskiwać.
- Opryskiwać należy wczesnym rankiem lub późnym popołudniem, szczególnie w cieplejsze dni. Nadmierne ciepło może spowodować odparowanie aerozolu zanim osiadzie.

KONSERWACJA

⚠ OSTRZEŻENIE: Do serwisowania należy używać wyłącznie części zamiennych identycznych z oryginalnymi. Używanie jakichkolwiek innych części stwarza ryzyko i może spowodować usterkę produktu. Aby zagwarantować bezpieczeństwo i niezawodność, wszystkie naprawy powinny być wykonywane przez wykwalifikowanych techników serwisu.

PL

⚠ OSTRZEŻENIE: Aby uniknąć poważnych obrażeń ciała, wyjąć akumulator z opryskiwacza przed serwisowaniem, czyszczeniem, wymianą dysz, wykonywaniem jakichkolwiek czynności konserwacyjnych lub gdy opryskiwacz nie jest używany. Narzędzie akumulatorowe z włożonym akumulatorem może się zawsze przypadkowo włączyć.

KONSERWACJA OGÓLNA

Wszystkie czynności serwisowe opryskiwacza, poza czynnościami wymienionymi w niniejszej instrukcji konserwacji, powinny być wykonywane przez wykwalifikowanego technika serwisowego.

CZYSZCZENIE

Podczas czyszczenia części plastikowych unikać używania rozpuszczalników. Pod wpływem kontaktu z różnego rodzaju rozpuszczalnikami dostępnymi w handlu większość tworzyw może ulec uszkodzeniu. Do usuwania zabrudzeń, kurzu, oleju, smaru itp. należy używać czystej ściereczki.

⚠ OSTRZEŻENIE: Nigdy nie należy dopuszczać do zetknięcia się części plastikowych z substancjami takimi jak płyn hamulcowy, benzyna, produkty ropopochodne, oleje penetrujące itp. Substancje chemiczne mogą uszkodzić, osłabić lub zniszczyć plastik i spowodować poważne obrażenia ciała.

⚠ OSTRZEŻENIE: Podczas czyszczenia opryskiwacza,

NIE WOLNO zanurzać go w wodzie ani innych płynach.

⚠ OSTRZEŻENIE: Zawsze przechowywać i utylizować substancje chemiczne w odpowiedni sposób. Utylizację zanieczyszczonej wody płuczącej należy przeprowadzać zgodnie z lokalnymi rozporządzeniami i przepisami.

- Jeżeli po spryskaniu w zbiorniku pozostała jakaś ciecz, należy opróżnić zbiornik przed czyszczeniem.
- Do czyszczenia zewnętrznej powierzchni zbiornika należy używać wyłącznie miękkiej, suchej ściereczki; nigdy nie należy używać detergentów ani alkoholu.
- Napęlić zbiornik czystą wodą do około jednej trzeciej jego wysokości. Spryskiwać aż do opróżnienia zbiornika. Należy upewnić się, że strumień cieczy jest skierowany na obszar, który nie zostanie uszkodzony przez roztwór.
- Napęlić ponownie czystą wodą i powtórzyć procedurę. Może być konieczne wielokrotne przepłukanie zbiornika, a następnie jego ponowne opróżnienie zgodnie z powyższymi instrukcjami.
- Przed ponownym złożeniem i przechowywaniem urządzenia należy odczekać, aż wszystkie części całkowicie wyschną.

KONSERWACJA DYSZY

⚠ OSTRZEŻENIE: Aby zapobiec wyciekom wody, należy pilnować, aby wszystkie czynności konserwacyjne przy dyszach były wykonywane prawidłowo. Nieszczelności mogą spowodować, że powierzchnia wokół urządzenia będzie śliska, co stwarza ryzyko poślizgnięcia się, upadku lub szkód materialnych.

Nieregularne generowanie spryskiwania lub wycieki mogą wynikać z zatkania lub zabrudzenia dyszy.

1. Wyłączyć opryskiwacz i wyjąć akumulator.
2. **Aby wyczyścić regulowaną dyszę (Rys. I1):**
 - a. Odkręcić i zdjąć radełkową (teksturalną) część regulowanej dyszy.
 - b. Przeciagnać cienki drut (nie ma go w zestawie) przez otwory poprzeczne, aby usunąć wszelkie zanieczyszczenia. W razie konieczności przepłukać otwory poprzeczne i dyszę czystą wodą.
 - c. Wytrzeć dyszę czystą, suchą szmatką i zamontować ją ponownie.
3. **Aby oczyścić wentylator i dyszę spieniającą (Rys. I2):**
 - a. Odkręcić i zdjąć dyszę z lancy natryskowej.
 - b. Przeciagnać cienki drut (nie ma go w zestawie) przez otwór, aby usunąć wszelkie zanieczyszczenia. W razie konieczności przepłukać

dyszę czystą wodą.

- c. Wytrzeć dyszę czystą, suchą szmatką i zamontować ją ponownie.

TRANSPORT I PRZECHOWYWANIE (Rys. J)

- Wyjąć akumulator.
- Ustawić pokrętko prędkości w pozycji wyłączonej (czerwona kropka na pokrętkle wskazuje na dyszę natryskową).
- Dokładnie wyczyścić opryskiwacz.
- Opróżnić zbiornik, wąż i lancę natryskową.

INFORMACJA: Przed przechowywaniem, zwłaszcza przed przygotowaniem do zimy, należy opróżnić zbiornik, wąż i lancę natryskową, aby zapobiec zamarznięciu i uszkodzeniu urządzenia, co może spowodować jego niemożność uruchomienia po zimie.

- Zabezpieczyć lancę natryskową w podstawie i klipsie do przechowywania.

J-1	Klips do przechowywania	J-3	Uchwyt do przenoszenia
J-2	Podstawa		

- Podczas transportu należy podnosić opryskiwacz za uchwyt do przenoszenia lub przenosić go za pomocą uprzęży.
- Opryskiwacz należy przechowywać w pomieszczeniu zamkniętym, w miejscu z dobrą wentylacją.
- Wyrób należy chronić przed żrącymi substancjami takimi jak chemia ogrodnicza i sól do usuwania lodu.

Ochrona środowiska



Urządzeń elektrycznych, zużytych akumulatorów i ładowarki nie należy wyrzucać do zwykłych zmieszanych śmieci domowych!

Produkt należy oddać do zbiórki selektywnej w autoryzowanym punkcie recyklingu. Elektronarzędzia należy oddawać do przyjaznego dla środowiska zakładu recyklingu.

ROZWIĄZYWANIE PROBLEMÓW

PROBLEM	PRZYCZYNA	ROZWIĄZANIE
Opryskiwacz nie uruchamia się.	<ul style="list-style-type: none"> ■ Akumulator w komorze akumulatorów nie jest prawidłowo założony. ■ Brak połączenia elektrycznego między opryskiwaczem a akumulatorem. ■ Akumulator jest rozładowany. ■ Akumulator lub opryskiwacz jest zbyt gorący. 	<ul style="list-style-type: none"> ■ Sprawdzić, czy akumulator w komorze akumulatorów jest całkowicie założony. ■ Wyjąć akumulator, sprawdzić styki i włożyć akumulator z powrotem. ■ Naładować akumulator. ■ Wyłączyć opryskiwacz i pozostawić akumulator lub opryskiwacz do ostygnięcia, aż temperatura spadnie do zalecanego przedziału temperatury działania.
Silnik pracuje, ale z dyszy nie wydobywa się żaden strumień wody.	<ul style="list-style-type: none"> ■ Niski poziom cieczy w zbiorniku. ■ Dysza została zatkana podczas pracy. 	<ul style="list-style-type: none"> ■ Sprawdzić i upewnić się, że w zbiorniku znajduje się wystarczająca ilość płynu. ■ Wyczyścić dyszę zgodnie z opisem podanym w rozdziale „KONSERWACJA DYSZ” i ponownie zamontować je zgodnie z instrukcją.
Wyciek płynu pomiędzy uchwytem sterującym a lancą.	<ul style="list-style-type: none"> ■ Zaślepka lancy jest luźna. 	<ul style="list-style-type: none"> ■ Dokręcić zaślepkę.
Wyciek cieczy pomiędzy lancą natryskową a dyszą.	<ul style="list-style-type: none"> ■ Dysza jest luźna lub nieprawidłowo zamontowana. 	<ul style="list-style-type: none"> ■ Ponownie zamontować dyszę prawidłowo i szczelnie, zgodnie z rozdziałem „REGULACJA I WYMIANA DYSZ”.

PL

GWARANCJA

POLITYKA GWARANCYJNA EGO

W celu zapoznania się z wszystkimi warunkami polityki gwarancyjnej EGO prosimy wejść na stronę egopowerplus.eu.

PŘEČTĚTE SI VŠECHNY POKYNY!



PŘEČTĚTE SI NÁVOD K OBSLUZE

VAROVÁNÍ: Z důvodu zajištění bezpečnosti a spolehlivosti musí všechny opravy provádět kvalifikovaný servisní technik.

VAROVÁNÍ: Před použitím tohoto nářadí si přečtěte a seznáme se všemi bezpečnostními pokyny uvedenými v tomto návodu k obsluze včetně veškerých výstražných symbolů jako např. „**NEBEZPEČÍ**“, „**VAROVÁNÍ**“ a „**UPOZORNĚNÍ**“. Nedodržení níže uvedených pokynů může mít za následek úraz elektrickým proudem, požár nebo vážná zranění osob.

VŠECHNA VAROVÁNÍ A POKYNY USCHOVEJTE PRO BUDOUCÍ POUŽITÍ.

BEZPEČNOSTNÍ SYMBOLY

VAROVÁNÍ: Při použití elektrického nářadí může dojít k vymrštění cizích těles do očí, což může způsobit jejich závažné poškození. Před použitím elektrického nářadí si vždy nasadte ochranné brýle, ochranné brýle s bočními kryty nebo v případě potřeby obličejový štít. Na brýle nebo standardní ochranné brýle s bočními kryty doporučujeme použít ochrannou masku.

CZ



Bezpečnostní upozornění



Z důvodu snížení nebezpečí úrazu si musí uživatel před použitím tohoto výrobku přečíst návod k obsluze a porozumět mu.



Používejte ochranný oděv.



Při postřikování se nepřibližujte k okolostojícím osobám.



Používejte obličejový štít.



Tento výrobek je v souladu s platnými směrnici ES.



Garantovaná hladina akustického výkonu. Emise hluku do prostředí dle směrnice Evropského společenství.



Tento výrobek je v souladu s platnými předpisy ve Spojeném království.



Odpadní elektrické výrobky se nesmí likvidovat s domovním odpadem. Odevzdejte je do autorizovaného recyklačního střediska.

IPX4

Ochrana před stříkající vodou



Stejnoseměrný proud

./min

Za minutu

V

Napětí

n_0

Rychlost při chodu naprázdno

mm

Milimetr

OBECNÁ BEZPEČNOSTNÍ UPOZORNĚNÍ

⚠ VAROVÁNÍ: Přečtěte si všechny bezpečnostní výstrahy, pokyny, ilustrace a technické údaje dodané s tímto strojem. Nedodržení všech níže uvedených pokynů může vést k úrazu elektrickým proudem, požáru anebo vážnému úrazu.

Všechna varování a pokyny uschovejte pro budoucí použití.

Výraz „stroj“ v upozorněních označuje stroj napájený ze sítě (kabelový) nebo akumulátorový (bezakumulátorový).

BEZPEČNOST NA PRACOVÍŠTI

- **Udržujte pracovní prostor v čistotě a dobře osvětlený.** Nepořádek nebo neosvětlené pracovní oblasti bývají příčinou úrazů.
- **Nepoužívejte stroje ve výbušném prostředí, například v přítomnosti hořlavých kapalin, plynů nebo prachu.** Stroje jsou zdrojem jiskření, které může zapálit prach nebo výpary.
- **Při práci se strojem udržujte děti a přihlízející osoby v bezpečné vzdálenosti.** Nesoustředěnost může způsobit ztrátu kontroly.

CZ

ELEKTRICKÁ BEZPEČNOST

- **Zástrčky stroje musí odpovídat zásuvce. V žádném případě nikdy neupravujte zástrčku. Nepoužívejte žádné adaptérové zástrčky s uzemněnými stroji.** Neupravené zástrčky a vhodné zásuvky snižují riziko úrazu elektrickým proudem.
- **Zabraňte kontaktu těla s uzemněnými povrchy, jako jsou potrubí, radiátory, sporáky a ledničky.** Existuje zvýšené riziko úrazu elektrickým proudem, pokud je vaše tělo uzemněno.
- **Nevystavujte stroje dešti nebo moku.** Voda vnikající do stroje zvyšuje riziko úrazu elektrickým proudem.
- **Nepoužívejte kabel nevhodným způsobem. Nikdy nepoužívejte kabel k přenášení, vytahování nebo odpojování stroje z elektrické sítě. Udržujte kabel daleko od tepla, oleje, ostrých hran nebo pohyblivých částí.** Poškozené nebo spletené kabely zvyšují riziko úrazu elektrickým proudem.
- **Při práci se strojem venku používejte prodlužovací kabel vhodný pro venkovní použití.** Použití kabelu vhodného pro venkovní použití snižuje riziko úrazu elektrickým proudem.
- **Pokud musíte se strojem pracovat ve vlhkém prostředí, použijte napájení s ochranou proti zbytkovému proudu (RCD).** Použití RCD snižuje riziko úrazu elektrickým proudem.

BEZPEČNOST OSOB

- **Při práci se strojem buďte stále pozorní, sledujte, co děláte a používejte zdravý rozum. Nepoužívejte stroj, jste-li unaveni nebo pod vlivem drog, alkoholu nebo léků.** Jediná chvilka nepozornosti při práci se strojem může mít za následek vážný úraz.
 - **Používejte osobní ochranné pracovní prostředky. Vždy používejte ochranu očí.** Ochranné pomůcky, jako např. respirátor, protiskluzová bezpečnostní obuv, pevná přilba nebo chrániče sluchu používané ve vhodném prostředí sníží riziko úrazu.
 - **Zabraňte náhodnému spuštění. Před připojením ke zdroji napětí a/nebo akumulátoru, zvedáním nebo přenášením stroje se ujistěte, že vypínač je ve vypnuté poloze.** Přenášení strojů s prstem na spínači nebo zapínání strojů se zapnutým spínačem vyvolá k nehodám.
 - **Před zapnutím stroje odstraňte seřizovací klíče nebo nářadí.** Nářadí nebo klíč, který zůstane upevněn k otáčející se části stroje, může způsobit zranění.
 - **Nenahýbejte se. Vždy udržujte pevný postoj a rovnováhu.** To umožní lepší ovládnutí stroje v nečekaných situacích.
 - **Používejte vhodný oděv. Nenoste volný oděv ani šperky. Udržujte své vlasy a oblečení mimo dosah pohybujících se částí.** Volný oděv, šperky nebo dlouhé vlasy se mohou zachytit do pohybujících se částí.
 - **Pokud je zařízení vybaveno adaptérem pro připojení odsávání prachu a sběrnými zařízeními, zajistěte jejich správné připojení a řádnou funkci.** Použití odsávání prachu může snížit nebezpečí týkající se prachu.
 - **Nedovoďte, abyste se po získání zkušeností častým používáním strojů stali neobezřetnými a ignorovali zásady bezpečnosti.** Nedbalá činnost může způsobit vážné zranění za zlomek sekundy.
- ### POUŽITÍ A PÉČE O STROJ
- **Nevyvíjejte na stroj násilí. Použijte správný stroj pro danou aplikaci.** Správný stroj bude pracovat lépe a bezpečněji rychleji, pro kterou byl navržen.
 - **Nepoužívejte stroj v případě, že vypínač nefunguje.** Stroj, který nelze ovládat spínačem, je nebezpečný a musí se opravit.
 - **Před seřizováním, výměnou příslušenství nebo uskladněním stroje odpojte zástrčku ze zdroje napájení anebo vyjměte akumulátor, pokud je odnímatelný, ze stroje.** Tato preventivní bezpečnostní opatření snižují riziko náhodného spuštění stroje.
 - **Nečinné stroje skladujte mimo dosah dětí**

a nedovolte osobám, které nejsou obeznámeny se zařízením nebo s těmito pokyny, aby jej obsluhovaly. Stroje jsou v rukou nequalifikované obsluhy nebezpečné.

- **Provádějte údržbu strojů a příslušenství. Kontrolujte případnou nesouosost nebo ohyb pohyblivých se částí, narušení dílů a ostatní podmínky, které mohou ovlivnit provoz stroje. V případě poškození nechte stroj před použitím opravit.** Mnoho nehod a úrazů je způsobeno nedostatečně udržovanými stroji.
- **Udržujte řezné nástroje ostré a čisté.** Řádně udržované řezné nářadí s ostrými řeznými hranami nemají tendenci se ohýbat a lépe se ovládají.
- **Používejte stroj, příslušenství a strojové hroty atd. v souladu s těmito pokyny s přihlédnutím k pracovním podmínkám a práci, která má být provedena.** Použití stroje na činnosti jiné, než je určující použití, může vést k nebezpečným situacím.
- **Udržujte rukojeti a uchopovací plochy suché, čisté, bez oleje a maziva.** Kluzké rukojeti a plochy pro uchopení neumožňují bezpečnou manipulaci se strojem a jeho ovládání v nečekaných situacích.

POUŽITÍ A PÉČE O AKUMULÁTOROVÝ STROJ

- **K nabíjení používejte pouze nabíječku doporučenou výrobcem.** Nabíječka vhodná pro jeden typ akumulátoru může způsobit riziko požáru při použití s jiným akumulátorem.
- **Stroje používejte pouze se specifikovanými akumulátory.** Použití jiných akumulátorů může způsobit riziko úrazu a požáru.
- **Pokud akumulátor nepoužíváte, držte jej z dosahu kovových předmětů, jako jsou kancelářské sponky na papír, mince, klíče, hřebíky, šroubky nebo další drobné kovové předměty, které mohou propojit kontakty akumulátoru.** Zkratování kontaktů akumulátoru může způsobit spálení nebo požár.
- **V nevhodných podmínkách může z akumulátoru unikat kapalina. Zabraňte kontaktu. Při náhodném kontaktu opláchněte zasažené místo vodou. Při zasažení očí kapalinou vyhledejte lékařskou pomoc.** Unikající kapalina z akumulátoru může způsobit podráždění pokožky nebo popálení.
- **Nepoužívejte akumulátor nebo stroj, který je poškozen nebo upraven.** Poškozené nebo upravené akumulátory mohou mít nepředvídatelné chování, které může vést k požáru, výbuchu nebo nebezpečí zranění.
- **Nevystavujte akumulátor ani stroj ohni nebo příliš vysoké teplotě.** Při vystavení ohni nebo teplotě nad 130 °C může dojít k výbuchu.

- **Dodržujte všechny pokyny pro nabíjení a nenabíjejte akumulátor nebo stroj mimo rozsah teplot uvedených v pokynech.** Nesprávné nabíjení nebo nabíjení při teplotách mimo stanovený rozsah může poškodit akumulátor a zvýšit riziko požáru.

SERVIS

- **Servis vašeho stroje svěřte kvalifikovanému opraváři, který používá pouze originální náhradní díly.** Tím zajistíte bezpečnost stroje.
- **Nikdy neopravujte poškozené akumulátory.** Servis akumulátorů může provádět pouze výrobce nebo autorizovaní poskytovatelé služeb.

BEZPEČNOSTNÍ POKYNY PRO AKUMULÁTOROVÝ POSTŘIKOVAČ

⚠ NEBEZPEČÍ: Nebezpečí požáru nebo výbuchu. Nepostříkujte hořlavé kapaliny, například benzin.

⚠ VAROVÁNÍ:

- **Abyste předešli zranění, vždy používejte ochranu očí, dýchacích cest a pokožky.**
- **Pro snížení rizika úrazu elektrickým proudem nevystavujte dešti.**
- **Pouze pro domácnost a venkovní použití.**
- **Nepostříkujte hořlavé nebo vznětlivé kapaliny v uzavřeném prostoru.** Při postříkování hořlavé kapaliny hrozí nebezpečí požáru nebo výbuchu, zejména v uzavřeném prostoru.
- **Postříkovaný prostor musí být dobře větráný.**
- **Při postříkování nekuřte a nepostříkujte tam, kde se objevují jiskry nebo plameny.**
- **Před plněním nádrže vždy vyjměte akumulátor. Před vložením akumulátoru utřete případné rozlité tekutiny.** Dodržováním tohoto pravidla snížíte riziko úrazu elektrickým proudem a vniknutí korozivních kapalin do akumulátoru, které mohou způsobit jeho selhání, včetně zkratu, s následkem kouře, požáru anebo vážného zranění osob.
- **Nedovolte, aby se do akumulátoru dostaly vodivé nebo korozivní kapaliny.** Pokud se na akumulátor vylíjí vodivé nebo korozivní kapaliny, postupujte podle pokynů v návodu k obsluze akumulátoru.
- **Před použitím postříkových materiálů v tomto postříkovači si důkladně přečtěte štítek na originálním obalu materiálu a postupujte podle jeho pokynů.** Některé postříkové materiály jsou nebezpečné

CZ

a neměly by se v tomto postřikovači používat, protože mohou poškodit postřikovač a způsobit vážné zranění osob nebo škody na majetku.

- **Znejte obsah postřikované chemické látky. Přečtěte si všechny karty bezpečnostních údajů (KBÚ) a štítky na obalech dodané s chemickou látkou.** Dodržujte bezpečnostní pokyny výrobce chemické látky.
- **Nebezpečí úrazu elektrickým proudem.** Nikdy nepostřikujte směrem k elektrickým zásuvkám.
- **Do nádrže nenalévejte horké nebo vařící kapaliny.** Ty mohou oslabit nebo poškodit trubky nebo nádrž.
- **Vyhnete se postřikování za větrných dnů.** Postřik může být náhodně rozfoukán na rostliny nebo předměty, které by neměly být postřikány.
- **Postřikovač skladujte v bezpečném, dobře větraném vnitřním prostoru s prázdnou nádrží na kapalinu.**
- **Nepostřikujte bělidlo ani peroxid vodíku.**
- **Nepostřikujte chemikálie na bázi alkoholu.**
- **Nepostřikujte prášky ani abrazivní chemikálie.**
- **Nepostřikujte žíravé (alkalické) nebo samozahřívací kapaliny.**
- **Nepoužívejte chemikálie nebezpečné pro životní prostředí, které nejsou povoleny podle místních předpisů.**
- **Nemiřte tryskou postřikovače směrem k lidem nebo domácím zvířatům.**
- **Přístroj nesmí používat děti, osoby se sníženými fyzickými, smyslovými nebo duševními schopnostmi nebo s nedostatečnými zkušenostmi a znalostmi nebo osoby, které se neseznámily s těmito pokyny.**
- **Obsluha nebo uživatel je zodpovědný za nehody nebo ohrožení jiných osob nebo jejich majetku.**
- **Postřikovač se smí používat pouze s přípravky na ochranu rostlin schválenými místními/národními regulačními orgány pro přípravky na ochranu rostlin pro použití s zádoverymi postřikovači.**
- **Riziko vpichu.** Nevypouštějte přímo na kůži. Udržujte všechny části těla mimo dosah proudu postřiku.
- **Po použití postřikovače nenechávejte v nádrži žádné zbytky ani postřikový materiál.** Po každém použití je vyčistěte.
- **Pro snížení rizika požáru nebo výbuchu použijte kapalinu s bodem vzplanutí vyšším než 60 °C.**
- **Chcete-li snížit riziko úrazu elektrickým proudem, neponořujte postřikovač do vody ani jiných tekutin. Neukládejte ani neskladujte postřikovač na místě, kde může spadnout, nebo být vtažen do vody nebo**

umyvadla.

- **Udržujte tento výrobek. Před každým použitím důkladně zkontrolujte vnitřek i vnější postřikovače a prohlédněte jeho součásti. Zkontrolujte, zda není nádrž prasklá a znehodnocená, zda nedochází k únikům vody, zda nejsou ucpané trysky a zda nechybí nebo nejsou poškozené. V případě poškození nechte výrobek před použitím opravit. Mnoho nehod a úrazů je způsobeno nedostatečně udržovanými výrobky.**
- **Pokud postřikovač nepoužíváte a před údržbou nebo čištěním přepnete vypínač do polohy vypnuto.**
- **Před vypouštěním, čištěním nebo skladováním postřikovače odpojte akumulátor od přístroje.** Tato preventivní bezpečnostní opatření snižují riziko náhodného spuštění.
- **Vždy používejte ochranu očí s bočními štíty nebo brýle.** V opačném případě by mohlo dojít k vniknutí tekutin do očí a následnému vážnému zranění.
- **Chraňte své plíce. Použijte schválené ochranné pomůcky, jako jsou obličejové masky speciálně navržené tak, aby filtrovaly postřiky, rukavice a další vhodné ochranné pomůcky.** Dodržování této zásady sníží riziko vážného úrazu. Dodržujte bezpečnostní pokyny a pokyny výrobce chemické látky uvedené v kartě bezpečnostních údajů.
- **Chemikálie a chemické výpary mohou být nebezpečné a způsobit vážné zranění, trvalé poškození nebo smrt při požití, vdechnutí nebo postřikání očí nebo kůže.** Dodržujte bezpečnostní pokyny a pokyny výrobce chemické látky uvedené v kartě bezpečnostních údajů.
- **Aby se snížilo riziko poranění, je při používání postřikovače v blízkosti dětí nutný přísný dohled.**
- **Nedotýkejte se pohyblivých částí.**
- **Používejte pouze příslušenství doporučené nebo prodávané výrobcem.**
- **Zabraňte náhodnému spuštění. Před připojením k akumulátoru, zvednutím nebo přenášením spotřebiče se ujistěte, že vypínač je ve vypnuté poloze. Přenášení spotřebiče s prstem na vypínači nebo zapojování spotřebičů, které mají zapnutý vypínač, může snadno způsobit nehodu či úraz.**

USCHOVEJTE SI TYTO POKYNY

TECHNICKÉ ÚDAJE

Jmenovité napětí	56 V
Max. kapacita nádrže	15 l
Max. pracovní tlak	24 bar
Max. průtok postřiku (s nastavitelnou tryskou, režim postřiku)	2,3 l/min
Průměr vstupního filtru	35 mm
Velikost ok vstupního filtru	0,35 mm
Průměr výstupního filtru	124 mm
Hmotnost (hmotnost v suchém stavu, bez akumulátoru)	7,6 kg
Doporučená provozní teplota	5 °C - 40 °C
Doporučená skladovací teplota	-20 °C - 70 °C
Doporučená teplota nabíjení	5 °C - 40 °C

VAROVÁNÍ: Před použitím zádového postřikovače se ujistěte, že jeho celková hmotnost, včetně stroje, kapaliny v nádrži a použité trysky a akumulátoru, nepřesahuje 25 kg, aby nedošlo ke zranění a ztrátě rovnováhy.

- Celková deklarovaná hodnota vibrací byla naměřena podle standardní zkušební metody a lze ji použít ke srovnání s jiným nářadím;
- Celkovou deklarovanou hodnotu vibrací lze použít také k předběžnému stanovení expozičních limitů.

POZNÁMKA: Emise vibrací při konkrétním použití elektrického nářadí se mohou lišit od deklarované hodnoty, při které se nářadí používá; z důvodu ochrany provozovatele by měl uživatel ve skutečných pracovních podmínkách nosit rukavice a chrániče sluchu.

OBSAH BALENÍ (OBR. A1)

POPIS

POZNEJTE SVŮJ POSTŘIKOVAČ (OBR. A1)

1. Hadice
2. Prostor pro akumulátor
3. Nádrž
4. Víčko nádrže
5. Přenášeč rukojeť
6. Nastavitelný nosný postroj
7. Volič rychlosti
8. Zajišťovací páčka
9. Hlavní vypínač
10. Ovládací rukojeť
11. Koncovka
12. Postřikovací tyč
13. Nastavitelná tryska
14. Ventilátorová tryska
15. Pěnová tryska
16. Sprchová tryska

CZ

MONTÁŽ

VAROVÁNÍ: Pokud jsou některé díly poškozené, nebo chybí, nepoužívejte výrobek, dokud se díly nevymění. Použití tohoto výrobku s poškozenými nebo chybějícími díly může vést k vážnému úrazu.

VAROVÁNÍ: Nepokoušejte se výrobek upravovat ani vytvářet příslušenství, které se k tomuto výrobku nedoporučuje. Každá taková změna nebo úprava je nesprávná a může vést k nebezpečné situaci, která může zapříčinit vážný úraz.

VAROVÁNÍ: Pokud provádíte montáž dílů, úpravy, čištění, nebo stroj nepoužíváte, vždy vyjměte akumulátor, aby nedošlo k neúmyslnému spuštění, které může způsobit vážný úraz.

- Tento výrobek vyžaduje montáž.
- Opatrně vyjměte výrobek a jakékoli příslušenství z krabice. Ujistěte se, že obsahuje všechny položky uvedené v „Obsahu balení“.
- Pečlivě zkontrolujte výrobek, zda nedošlo k jeho rozbití nebo poškození během přepravy.
- Nevyhazujte obalový materiál, dokud výrobek pečlivě nezkontrolujete a uspokojivě nezprovoznete.

- Pokud jsou některé díly poškozené nebo chybí, vraťte výrobek na místo nákupu.

PŘIPOJENÍ POSTŘIKOVACÍ TYČE K OVLÁDACÍ RUKOJETI

1. Navlékněte koncovku postřikovací tyče na ovládací rukojeť a pevně ji utáhněte ve směru hodinových ručiček (obr. B).
2. Abyste jste se ujistili, že je postřikovací tyč správně zajištěna, zatahněte za ni.

OBSLUHA

VAROVÁNÍ: Dbejte na to, abyste po seznámení s výrobkem nepřestali být opatrní. Nezapomínejte, že stačí chvíle nepozornosti a může se stát vážný úraz.

VAROVÁNÍ: Používejte bezpečnostní zařízení. Při míchání, plnění, postřikování a čištění si chraňte oči, pokožku a plíce. V opačném případě může dojít k vážnému zranění osob a poškození majetku.

CZ

VAROVÁNÍ: Abyste předešli vážnému zranění, vyjměte akumulátor ze spotřebiče před údržbou, čištěním, výměnou nástavců, plněním nebo vyprazdňováním nádrže.

VAROVÁNÍ: Nepoužívejte nástavce nebo příslušenství, které nedoporučuje výrobce tohoto výrobku. Použití nedoporučených nástavců a příslušenství může vést k vážnému úrazu.

Před každým použitím zkontrolujte celý výrobek, zda není poškozen, nechybí nebo nejsou uvolněné žádné díly, jako např. vruty, matice, šrouby, uzávěry atd. Pevně utáhněte všechny upevňovací prvky a uzávěry a výrobek nepoužívejte, dokud se nevymění všechny chybějící nebo poškozené díly.

ZAMÝŠLENÉ POUŽITÍ

Výrobek lze použít k následujícím účelům:

- Hnojení a zalévání rostlin.
- Postřikování herbicidy, pesticidy a fungicidy.

POZNÁMKA: Výrobek je určen pouze pro zahradnické a zemědělské použití.

POZNÁMKA: Přípravek se smí používat pouze k předepsaným účelům. Jakékoliv jiné použití se považuje za zneužití.

VAROVÁNÍ: Nesprávné použití chemikálií nebo roztoků může mít za následek TĚŽKÁ ZRANĚNÍ nebo SMRT. Dodržujte bezpečnostní pokyny a pokyny výrobce chemické látky uvedené v kartě bezpečnostních údajů.

PLNĚNÍ NÁDRŽE (obr. C)

VAROVÁNÍ: Při používání, čištění a skladování vždy dodržujte pokyny výrobce chemikálií uvedené na etiketě výrobku. Chemikálie nekombinujte. Po každém použití nádrž důkladně vyčistěte podle pokynů uvedených v části „ÚDRŽBA“ této příručky. Chemikálie by měly být skladovány mimo dosah dětí. V opačném případě může dojít k vážnému zranění osob.

VAROVÁNÍ: Abyste předešli zranění a ztrátě rovnováhy, dbejte na to, aby celková hmotnost postřikovače včetně stroje, kapaliny v nádrži a použité trysky a akumulátoru nepřesáhla 25 kg.

Kapalně chemikálie určené k postřiku musí být řidké jako voda. Hustší kapaliny nebudou stříkat správně. Nádrž nepřepěňujte.

1. Vyjměte akumulátor.
2. Odšroubujte víčko nádrže proti směru hodinových ručiček a sejměte jej z nádrže.
3. Postřikovač postavte na rovný povrch.
4. Naplňte nádrž požadovaným množstvím vody.
5. Odměřte doporučené množství kapalné chemikálie.
6. Opatrně nalijte kapalnou chemikálii do nádrže.
7. Našroubujte víčko nádrže zpět na postřikovač a ujistěte se, že je pevně utaženo.

Postřikové roztoky mohou být předem namíchány a nality do postřikovače.

POZNÁMKA: Používáte-li k uchování kapaliny odměrnou nádobu, nezapomeňte ji po použití důkladně vyčistit a vypláchnout. Pokud postřikový roztok mícháte předem, vypláchněte nádobu použitou k míchání.

POZNÁMKA: Po každém použití je důležité postřikovač důkladně vyčistit. Pokud necháte kapalinu delší dobu v nečinném postřikovači, může dojít k zadření jeho pohyblivých částí a konektorů.

INSTALACE/VYJMUTÍ AKUMULÁTORU

Používejte pouze s akumulátory a nabíječkami EGO uvedenými na obr. A2.

Další podrobnosti naleznete v příslušných příručkách

k akumulátorům a nabíječkám.

Před prvním použitím akumulátor plně nabijte.

1. Zvedněte kryt prostoru pro akumulátor zvednutím přední části krytu (obr. D1).
2. **Připojení:** Srovnejte žebrovaní akumulátoru s instalačními drážkami a zatlačte akumulátor, dokud neuslyšíte „kliknutí“ (obr. D1).
3. **Odpojení:** Stiskněte tlačítko pro uvolnění akumulátoru a vytáhněte jej (obr. D2).
4. Zavřete kryt prostoru pro akumulátor.

VAROVÁNÍ: Při stisku tlačítka pro uvolnění akumulátoru dávejte pozor na nohy, děti nebo domácí zvířata. Pokud akumulátor upadne, může dojít k vážnému úrazu. NIKDY nevyjímejte akumulátor na vyvýšeném místě.

VAROVÁNÍ: Před zahájením práce se ujistěte, že západka na postřikovači zapadla na místo, že akumulátor je připevněn k postřikovači a že kryt prostoru pro akumulátor je zcela uzavřen. Pokud se akumulátor nepodaří bezpečně umístit, může dojít k vypadnutí akumulátoru, což bude mít za následek vážné zranění osob.

VAROVÁNÍ: Abyste předešli vážnému zranění, při zvedání nebo přepravě postřikovače vždy vyjměte akumulátor a nedotýkejte se ovládací rukojeti.

UMÍSTĚNÍ ZÁDOVÉHO POSTŘIKOVAČE

VAROVÁNÍ: Správně se oblečte, abyste snížili riziko zranění při obsluze tohoto spotřebiče. Nenoste volný oděv ani šperky. Používejte ochranu očí. Noste silné, dlouhé kalhoty, pevné boty a rukavice. Nenoste krátké kalhoty, sandály ani nechoďte bosí.

Před použitím zádového postřikovače se ujistěte, že obsluha má nasazenou ochranu očí a vhodný oděv a může si udržet bezpečný a vyvážený postoj.

Nastavení nosného postroje

1. Vložte ruce do zádových popruhů pro nošení postřikovače na zádech.
2. Dočasně upravte oba ramenní popruhy do pohodlné polohy (obr. E1), ujistěte se, že váš loket je volný.
3. Zcvakněte hrudní přezku a v případě potřeby upravte délku hrudního popruhu (obr. E2).
4. Zaklapněte pasovou přezku a nastavte délku tak, aby byl batoh na zádech pevně podporován vašimi boky

(obr. E3 a E4).

POZNÁMKA: Batoh by neměl být příliš vysoko na zádech; měl by být umístěn blíže k bokům než k vašim ramenům.

VAROVÁNÍ: Když dojde k nouzové situaci, okamžitě uvolněte přezky na hrudi a pasu a soudejte popruh na batohu na každé straně. Toto je metoda rychlého uvolnění.

5. Upravte ramenní popruhy pro bezpečnost a pohodlí. Ujistěte se, že batoh vám pevně sedí na zádech, s váhou podporovanou pasovou přezkou a bez nadměrného pohybu při přesouvání (obr. E5).
6. Přebývajíc část popruhu kolem pasu zasuňte do gumičky po obou stranách (obr. E6).
7. Chcete-li batoh sundat ze zad, stačí stisknout pasovou a hrudní přezku, aby se uvolnily, a spustit postřikovač (obr. E7).

SPUŠTĚNÍ/ZASTAVENÍ POSTŘIKOVAČE (OBR. F)

Volič rychlosti

1. Chcete-li zvýšit průtok, otočte voličem rychlosti ve směru hodinových ručiček.

F-1	Volič rychlosti	F-3	Hlavní vypínač
F-2	Zajišťovací páčka		

2. Chcete-li snížit průtok, otočte voličem rychlosti proti směru hodinových ručiček.
3. Postřikovač se zastaví, pokud budete stále otáčet voličem do polohy „VYPNUTO“.

VAROVÁNÍ: Abyste zabránili nechtěnému spuštění, otočte volič rychlosti do polohy vypnuto (červená tečka na voliči směřuje k postřikovací tyči).

VAROVÁNÍ: Před uskladněním stroje, jeho dlouhodobým ponecháním nebo výměnou akumulátoru vždy otočte volič rychlosti do polohy vypnuto (červená tečka na voliči směřuje k postřikovací tyči).

Hlavní vypínač

1. Stisknutím hlavního vypínače zapnete postřikovač.
2. Uvolněním vypínače zastavíte průtok.

Zajišťovací páčka

Zajišťovací páčka je vhodná při postřiku po delší dobu nebo při pokrytí velké plochy.

1. Chcete-li hlavní vypínač zablokovat, po stisknutí spouště stiskněte zajišťovací páčku.

CZ

2. Chcete-li hlavní vypínač uvolnit, zatáhněte za zajišťovací páčku.

POZNÁMKA: Před vložením akumulátoru do postřikovače se ujistěte, že vypínač není zablokovaný.

SEŘÍZENÍ A VÝMĚNA TRYSEK

⚠ VAROVÁNÍ: Abyste předešli vážnému zranění, vyjměte akumulátor před seřizováním nebo výměnou trysek.

Postřikovač se dodává se čtyřmi tryskami: Nastavitelná tryška, ventilátorová tryška, sprchová tryška a pěnová tryška. Před zahájením práce vyměňte trysku tak, aby vyhovovala danému úkolu.

Nastavitelná tryška (obr. G1): Bodový postřik záhonů, chodníků, příjezdových cest, teras a okolí stromů a keřů. Lemování plotů, příjezdových cest a chodníků. Usmrcující kartáč.

Ventilátorová tryška (obr. G3): Plochý postřik pro velmi široké pokrytí a kapaliny s vyšší viskozitou. Příprava velkých ploch pro výsadbu.

CZ

G-1	Ventilátorová tryška	G-3	Pěnová tryška
G-2	Sprchová tryška		

Sprchová tryška (obr. G3): Vypouští vyšší průtok vody pro zalévání a ošetřování rostlin.

Pěnová tryška (obr. G3): Viditelně označuje ošetřené plevele. Bodový postřik plevele v trávniku, kolem záhonů, stromů a keřů. Lemování plotů, příjezdových cest a chodníků.

Nastavitelnou trysku lze nastavit mezi proudem a rozstříkem (obr. G1).

1. Otočte vroubkovanou (texturovanou) částí trysky proti směru hodinových ručiček, abyste vytvořili proud.
2. Otočte vroubkovanou (strukturovanou) částí trysky ve směru hodinových ručiček, abyste mohli postřikovat.

Pro vyjmutí a výměnu trysky vyšroubujte celou trysku proti směru hodinových ručiček (obr. G2).

Průtok různých trysek dodávaných s postřikovačem:

	Jmenovitý průtok (l/min)	Maximální pracovní tlak (l/min)	Optimální pracovní tlak (l/min)
Nastavitelná tryška	2,3	2,7	2,4
Ventilátorová tryška	2,3	2,7	2,4
Sprchová tryška	2,3	2,9	2,7
Pěnová tryška	2,3	2,7	2,4

POSTŘIKOVÁNÍ CHEMIKÁLÍ PRO DOMÁCNOST A ZAHRADU (obr. H)

⚠ VAROVÁNÍ: Nikdy nemiřte tryskou tyče na sebe ani na ostatní.

⚠ VAROVÁNÍ: Při práci s postřikovačem nikdy nekuřte, nejezte ani nepijte.

⚠ VAROVÁNÍ: Nikdy nepostřikujte směrem k lidem nebo zvířatům; vždy postřikujte po větru.

⚠ VAROVÁNÍ: Nebezpečí požáru nebo výbuchu. Prostor pro postřikování musí být dobře větraný a mimo dosah jisker nebo plamenů.

1. Namontujte akumulátor.
2. Otáčením voliče rychlosti nastavte požadovaný průtok.
3. Trysku postřikovače nasměrujte přímo na rostliny nebo objekty, které chcete postřikovat.

POZNÁMKA: Ujistěte se, že stojíte dostatečně daleko od postřikovaného předmětu, abyste zabránili postřikování zpět na sebe.

4. Stisknutím vypínače spustíte postřikovač.
5. Uvolněním vypínače postřikovač zastavíte.
6. Po každém použití nádrž vždy vypusťte a vyčistěte podle pokynů v části „ÚDRŽBA“.

PROVOZNÍ TIPY

- Nastavte ramenní popruhy postroje tak, aby postřikovač seděl nad vaším pasem a nádrž byla těsně u vašich zad.
- Vyhněte se postřikování za větrných dnů. Postřik může

být náhodně rozfoukán na rostliny nebo předměty, které by neměly být postříkány.

- Postřík provádějte brzy ráno nebo pozdě odpoledne, zejména za teplejšího počasí. Nadměrné teplo může postřík odpařit dříve, než se usadí.

ÚDRŽBA

VAROVÁNÍ: Při opravách používejte pouze originální náhradní díly. Použití jiných dílů může představovat riziko nebo může způsobit poškození výrobku. Z důvodu zajištění bezpečnosti a spolehlivosti musí všechny opravy provádět kvalifikovaný servisní technik.

VAROVÁNÍ: Abyste předešli vážnému zranění osob, vyjměte akumulátor z postřikovače před údržbou, čištěním, výměnou trysek, prováděním jakékoli údržby nebo pokud postřikovač nepoužíváte. Akumulátorový postřikovač s vloženým akumulátorem je vždy zapnutý a může se neúmyslně spustit.

CELKOVÁ ÚDRŽBA

Veškeré opravy postřikovače, kromě položek uvedených v tomto návodu na údržbu, smí provádět pouze kvalifikovaný servisní technik.

ČIŠTĚNÍ

K čištění plastových dílů nepoužívejte rozpouštědla. Většina plastů je náchylná k poškození různými typy komerčních rozpouštědel a jejich použití je může poškodit. K odstranění nečistot, prachu, oleje, maziva atd. použijte čistý hadr.

VAROVÁNÍ: Dbejte na to, aby nikdy nedošlo ke styku plastových částí s brzdovými kapalinami, benzinem, ropnými produkty, penetračními oleji atd. Chemické látky mohou poškodit, zeslabit nebo poškodit plast, což může vést k vážnému úrazu.

VAROVÁNÍ: Při čištění NEPONORUJTE postřikovač do vody ani jiných kapalin.

VAROVÁNÍ: Chemikálie vždy správně skladujte a likvidujte. Likvidace kontaminované oplachové vody by měla být prováděna v souladu s místními vyhláškami a předpisy.

- Pokud po postřiku zůstane v nádrži nějaká kapalina, před čištěním nádrž vypusťte.
- K čištění vnější části nádrže vždy používejte pouze měkký, suchý hadřík; nikdy nepoužívejte čisticí

prostředky nebo alkohol.

- Nádrž naplňte čistou vodou asi do jedné třetiny. Postříkujte, dokud se nádrž nevyprázdní. Dbejte na to, abyste postřík směřovali na místo, které nebude postřikovým roztokem poškozeno.
- Doplňte vodu a postup opakujte s čistou vodou. Je možné, že bude nutné nádrž vypláchnout vícekrát a poté ji znovu vypustit podle výše uvedených pokynů.
- Před opětovným sestavením a uložením jednotky nechte všechny díly zcela vyschnout.

ÚDRŽBA TRYSKY

VAROVÁNÍ: Ujistěte se, že veškerá údržba trysky je prováděna správně, aby se zabránilo úniku vody. Netěsnosti mohou mít za následek kluzký povrch, který vytváří nebezpečí uklouznutí a pádu nebo způsobuje škody na majetku.

Nepravidelné vzory postřiku nebo netěsnosti mohou být důsledkem ucpané nebo znečištěné trysky.

1. Vypněte postřikovač a vyjměte akumulátor.
2. **Čištění nastavitelné trysky (obr. I1):**
 - a. Odšroubujte a sejměte vroubkovanou (texturovanou) část nastavitelné trysky.
 - b. Křížovými otvory protáhněte tenký drát (není součástí dodávky), abyste odstranili případné nečistoty. V případě potřeby propláchněte křížové otvory a trysku čistou vodou.
 - c. Otřete trysku čistým suchým hadříkem a znovu ji namontujte.
3. **Čištění ventilátorové a pěnové trysky (obr. I2):**
 - a. Odšroubujte a vyjměte trysku z postřikovací tyče.
 - b. Otvorem prostrčte tenký drátek (není součástí dodávky), abyste odstranili případné nečistoty. V případě potřeby propláchněte trysku čistou vodou.
 - c. Otřete trysku čistým suchým hadříkem a znovu ji namontujte.

DOPRAVA A SKLADOVÁNÍ (obr. J)

- Vyjměte akumulátor.
- Otočte volič rychlosti do polohy vypnuto (červená tečka na voliči směřuje k postřikovací tyči).
- Postřikovač důkladně vyčistěte.
- Vyprázdněte nádrž, hadici a postřikovací tyč.

POZNÁMKA: Před uskladněním, zejména před zazimováním, nezapomeňte vyprázdnit nádrž, hadici

a postřikovací tyč, aby nedošlo k zamrznutí a poškození stroje, které by způsobilo, že by po zazimování nešel nastartovat.

- Zajistěte postřikovací tyč v základně a v odkládací sponě.

J-1	Odkládací spona	J-3	Rukojeť pro přenášení
J-2	Základna		

- Při přepravě zvedejte postřikovač za rukojeť pro přenášení nebo jej přenášejte pomocí nosného postroje.
- Postřikovač skladujte v interiéru na dobře větraném místě.
- Uchovávejte v bezpečné vzdálenosti od korozivních látek, jako jsou chemické látky a rozmrazovací soli.

Ochrana životního prostředí



Elektrické zařízení, použité akumulátory a nabíječku nevhazujte do domovního odpadu!

Předejte tento výrobek autorizované recyklační společnosti ke tříděnému sběru. Elektrické nářadí musí být vráceno do zařízení pro ekologickou recyklaci.

CZ

ODSTRAŇOVÁNÍ ZÁVAD

PROBLÉM	PŘÍČINA	ŘEŠENÍ
Postřikovač se nespouští.	<ul style="list-style-type: none"> ■ Akumulátor není zcela zasunut v prostoru pro akumulátor. ■ Mezi postřikovačem a akumulátorem není žádný elektrický kontakt. ■ Akumulátor je vybitý. ■ Akumulátor postřikovače je příliš horký. 	<ul style="list-style-type: none"> ■ Zkontrolujte, zda je akumulátor zcela zasunut v prostoru pro akumulátor. ■ Vyjměte akumulátor, zkontrolujte kontakty a akumulátor znovu namontujte. ■ Nabijte akumulátor. ■ Vypněte postřikovač a nechte akumulátor nebo postřikovač vychladnout, dokud teplota neklesne na doporučený rozsah provozní teploty.
Motor běží, ale z trysky nevychází žádný postřík.	<ul style="list-style-type: none"> ■ Nizká hladina kapaliny v nádrži. ■ Tryska se během provozu ucpala. 	<ul style="list-style-type: none"> ■ Zkontrolujte, zda je v nádrži dostatek kapaliny. ■ Vyčistěte trysky podle kapitoly „ÚDRŽBA TRYSKY“ a znovu je sestavte podle pokynů.
Kapalina uniká mezi ovládací rukojetí a tyčí.	<ul style="list-style-type: none"> ■ Koncovka tyče je uvolněná. 	<ul style="list-style-type: none"> ■ Utáhněte koncovku.
Kapalina uniká z prostoru mezi postřikovací tyčí a tryskou.	<ul style="list-style-type: none"> ■ Tryska je uvolněná nebo špatně namontovaná. 	<ul style="list-style-type: none"> ■ Trysku znovu správně a pevně namontujte podle kapitoly „NASTAVENÍ A VÝMĚNA TRYSKY“.

CZ

ZÁRUKA

ZÁRUČNÍ PODMÍNKY SPOLEČNOSTI EGO

Úplné znění záručních podmínek společnosti EGO naleznete na webových stránkách egopowerplus.eu.

PREČÍTAJTE SI VŠETKY POKYNY!



PREČÍTAJTE SI NÁVOD NA OBSLUHU

VAROVANIE: Pre zaistenie bezpečnosti a spoľahlivosti je nevyhnutné, aby všetky opravy vykonával len kvalifikovaný servisný technik.

VAROVANIE: Pred použitím tohto nástroja si prečítajte a pochopte všetky bezpečnostné pokyny v tomto návode na obsluhu, vrátane všetkých bezpečnostných výstražných symbolov, ako sú „**NEBEZPEČENSTVO**“, „**VAROVANIE**“ a „**UPOZORNENIE**“. Nedodržanie nižšie uvedených pokynov môže mať za následok úraz elektrickým prúdom, požiar a/alebo vážne zranenie.

ODLOŽTE SI VŠETKY VAROVANIA A POKYNY PRE BUDÚCE POUŽITIE.

BEZPEČNOSTNÉ SYMBOLY

VAROVANIE: Prevádzka akéhokoľvek elektrického náradia môže viesť k vymršteniu cudzích predmetov do vašich očí, čo môže spôsobiť vážne poškodenie zraku. Predtým, než začnete používať elektrické náradie, si vždy nasadte ochranné okuliare alebo ochranné okuliare s postrannými krytmi a prípadne celotvárový štít. Odporúčame použiť bezpečnostnú masku so širokým prierezom na okuliare alebo štandardné bezpečnostné okuliare s postrannými krytmi.

SK

Bezpečnostné upozornenie



Ak chcete znížiť riziko zranenia, používateľ musí pred použitím tohto výrobku prečítať a pochopiť návod na obsluhu.



Noste ochranný odev.



Pri postrekovanií udržiavajte okolostojace osoby v dostatočnej vzdialenosti.



Noste ochranný tvárový štít.



Tento výrobok je v súlade s platnými smernicami ES.



Garantovaná hladina akustického výkonu. Emisie hluku do prostredia sú podľa smernice Európskeho spoločenstva.



Tento výrobok je v súlade s platnou legislatívou Spojeného kráľovstva.



Odpadové elektrické výrobky sa nesmú likvidovať spolu s domovým odpadom. Odovzdajte do autorizovaného recyklačného strediska.

IPX4

Ochrana pred striekajúcou vodou



Jednosmerný prúd

../min Za minútu

V

Napätie

n_0

Rýchlosť bez zaťaženia

mm Milimeter

VŠEOBECNÉ BEZPEČNOSTNÉ UPOZORNENIA

VAROVANIE: Prečítajte si všetky bezpečnostné varovania, pokyny, ilustrácie a špecifikácie dodané s týmto strojom. Nedodržanie nižšie uvedených pokynov môže mať za následok úraz elektrickým prúdom, požiar a/alebo vážne zranenie.

Všetky varovania a pokyny si ponechajte pre prípadnú potrebu v budúcnosti.

Pojem „stroj“ v upozorneniach sa vzťahuje na stroj napájaný zo siete (so šnúrou) alebo na stroj napájaný z akumulátora (bezšnúrový).

BEZPEČNOSŤ PRACOVISKA

- Udržujte pracovisko čisté a dobre osvetlené. Neporiadok alebo tmavé miesta spôsobujú nehody.
- Nepoužívajte stroje vo výbušnom prostredí, napríklad v prítomnosti horľavých kvapalín, plynov alebo prachu. Stroje vytvárajú iskry, ktoré môžu zapáliť prach alebo výpary.
- Pri používaní stroja udržiavajte deti a okolostojace osoby mimo pracoviska. Rozptyľovanie pozornosti môže viesť ku strate kontroly.

ELEKTRICKÁ BEZPEČNOSŤ

- Zástrčka stroja musí zodpovedať elektrickej zásuvke. Nikdy a žiadnym spôsobom nemodifikujte zástrčku. Nepoužívajte žiadne rozbočovacie zástrčky s uzemneným strojom. Neupravené zástrčky a vhodné zásuvky obmedzia nebezpečenstvo úrazu elektrickým prúdom.
- Zabráňte kontaktu tela s uzemnenými povrchmi, ako sú rúry, radiátory, sporáky a chladničky. Dochádza k zvýšeniu rizika úrazu elektrickým prúdom, ak je vaše telo uzemnené.
- Nevystavujte stroje dažďu alebo mokru. Voda vniknutá do stroja zvyšuje riziko úrazu elektrickým prúdom.
- Nepoužívajte kábel nesprávnym spôsobom. Nikdy nepoužívajte kábel na nosenie, ťahanie alebo odpájanie stroja. Udržujte kábel v dostatočnej vzdialenosti od zdrojov tepla, oleja, ostrých hrán alebo pohyblivých častí. Poškodená alebo zamotaná šnúra zvyšuje riziko zasiahnutia elektrickým prúdom.
- Ak sa chystáte stroj použiť v exteriéroch, použite výhradne predĺžovaciu šnúru vhodnú na použitie v exteriéroch. Použitie šnúry vhodnej pre použitie v exteriéroch znižuje riziko úrazu elektrickým prúdom.

- Ak je používanie stroja vo vlhkom prostredí nevyhnutné, použite napájanie chránené prúdovým chráničom (RCD). Použitie prúdového chrániča znižuje riziko úrazu elektrickým prúdom.

BEZPEČNOSŤ OSÔB

- Buďte pozorní, sledujte to, čo robíte a používajte zdravý rozum pri práci so strojom. Nepoužívajte stroj, ak ste unavení alebo pod vplyvom drog, alkoholu alebo liekov. Chvilková nepozornosť pri práci so strojom môže mať za následok vážne zranenie.
- Používajte osobné ochranné pomôcky. Vždy používajte ochranu očí. Ochranné prostriedky ako respirátor, protišmyková bezpečnostná obuv, prilba alebo chrániče sluchu použité za vhodných podmienok znižujú nebezpečenstvo zranenia.
- Zabráňte neúmyselnému uvedeniu do prevádzky. Pred pripojením k zdroju napájania a/alebo akumulátoru, pri zdvíhaní alebo prenášaní stroja sa uistite, že prepínač je vo vypnutej polohe. Prenášanie strojov s prstom na spínači alebo zapínanie strojov, ktoré majú zapnutý spínač, nabáda k nehodám.
- Pred spustením stroja vždy odstráňte nastavovací kľúč alebo náradie. Kľúč alebo náradie, ktoré necháte pripavené k otáčajúcej sa časti stroja, môže spôsobiť zranenie osôb.
- Nenakláňajte sa. Pri práci vždy dodržujte správny postoj a rovnováhu. To umožňuje lepšiu ovládateľnosť stroja v nečakaných situáciách.
- Noste vhodné oblečenie. Nenoste šperky alebo voľný odev. Udržujte vlasy a oblečenie mimo dosah pohyblivých častí. Voľný odev, šperky alebo dlhé vlasy môžu byť zachytené pohyblivými sa dielmi.
- Pokiaľ je náradie vybavené zariadením na zachytávanie prachu a úlomkov materiálu, skontrolujte, či je k náradiu správne pripavené. Použitie odsávania prachu môže znížiť nebezpečenstvo, ktoré súvisí s prachom.
- Nedovoľte, aby ste sa po získaní skúseností častým používaním stroja stali neobozretnými a ignorovali zásady bezpečnosti. Nedbalá činnosť môže spôsobiť vážne zranenie za zlomok sekundy.

POUŽÍVANIE STROJA A STAROSTLIVOSŤ

- Netlačte na stroj silou. Použite správny stroj pre vašu prácu. Stroj bude pracovať lepšie a bezpečnejšie pri rýchlosti, na ktorú bol navrhnutý.
- Nepoužívajte stroj, ak sa nedá zapnúť a vypnúť použitím vypínača. Stroj, ktorý sa nedá ovládať vypínačom, je nebezpečný a musí sa opraviť.
- Pred akýmikoľvek úpravami, výmenou príslušenstva

SK

alebo uskladnením stroja odpojte zástrčku od zdroja napájania a/alebo vyberte zo stroja akumulátor, ak je odpojiteľný. Takéto preventívne bezpečnostné opatrenia znižujú riziko náhodného spustenia stroja.

- **Nečinný stroj skladujte mimo dosahu detí a nedovoľte osobám, ktoré nie sú oboznámené so strojom alebo s týmto návodom, aby stroj obsluhovali.** Stroje sú v rukách nevyškolených používateľov nebezpečné.
- **Vykonávajte údržbu strojov a príslušenstva. Kontrolujte nastavenie pohyblivých častí, poškodenie dielov a akékoľvek ďalšie okolnosti, ktoré môžu mať vplyv na funkciu stroja. Ak je poškodený, nechajte ho pred použitím opraviť.** Veľa úrazov je zapríčinených zle udržiavanými strojmi.
- **Rezacie náradie udržiavajte ostré a čisté.** Starostlivo ošetrované rezné náradia s ostrými čepeľami menej pravdepodobne uviaznu a jednoduchšie sa ovládajú.
- **Používajte stroj, príslušenstvo, nadstavce apod. podľa týchto pokynov a rešpektujte pritom pracovné podmienky a vykonávanú činnosť.** Použitie stroja na iné ako určené účely môže viesť k nebezpečným situáciám.
- **Udržujte rukoväte a uchopovacie plochy suché, čisté, bez oleja a maziva.** Klzké držadlá a uchopovacie plochy neumožňujú bezpečnú manipuláciu so strojom a jeho ovládanie v nečakaných situáciách.

SK

POUŽÍVANIE A STAROSTLIVOSŤ O AKUMULÁTOROVÝ STROJ

- **Nabíjajte len pomocou nabíjačky špecifikovanej výrobcom.** Nabíjačka, ktorá je vhodná pre jeden typ akumulátora, môže predstavovať pri nabíjaní iného typu akumulátora nebezpečenstvo.
- **Používajte stroje a s výslovnou určenými akumulátormi.** Použitie iných typov akumulátorov môže spôsobiť riziko úrazu a požiaru.
- **Ak sa akumulátor nepoužíva, držte ho mimo iných kovových predmetov, ako sú sponky, mince, kľúče, klince, skrutkovače alebo iné malé kovové predmety, ktoré by mohli navzájom prepojiť kontakty akumulátora.** Skratovanie kontaktov akumulátora môže spôsobiť popáleniny alebo požiar.
- **Za nevhodných podmienok môže z akumulátora unikať kvapalina. Zabráňte kontaktu. Pri náhodnom kontakte opláchnite vodou. Pri zasiahnutí očí vyhľadajte lekársku pomoc.** Unikajúca kvapalina z akumulátora môže spôsobiť podráždenie pokožky alebo popáleniny.
- **Nepoužívajte akumulátor alebo stroj, ktoré sú poškodené alebo upravené.** Poškodené alebo

upravené akumulátory môžu mať nepredvídateľné chovanie, ktoré môže viesť k požiaru, výbuchu alebo nebezpečenstvu poranenia.

- **Nevystavujte akumulátor ani stroj ohňu alebo nadmernej teplote.** Pri vystavení ohňu alebo teplote nad 130 °C môže dôjsť k výbuchu.
- **Dodržujte všetky pokyny pre nabíjanie a nenabíjajte akumulátor alebo stroj mimo teplotného rozsahu uvedeného v pokynoch.** Nesprávne nabíjanie alebo nabíjanie pri teplotách mimo stanovený rozsah môže poškodiť akumulátor a zvýšiť riziko požiaru.

OPRAVA

- **Nechajte váš stroj opraviť kvalifikovanou osobou s použitím iba identických náhradných dielov.** Tým sa zabezpečí, že bezpečnosť stroja zostane zachovaná.
- **Nikdy neopravujte poškodené akumulátory.** Servis akumulátorov smie robiť iba výrobca alebo autorizovaní servisní poskytovatelia.

BEZPEČNOSTNÉ POKYNY PRE AKUMULÁTOROVÝ POSTREKOVÁČ

⚠ NEBEZPEČENSTVO: Riziko požiaru alebo výbuchu. Nepostrekujte horľavé kvapaliny, napríklad benzín.

⚠ VAROVANIE:

- **Aby ste predišli poraneniu, vždy používajte ochranu očí, dýchacích ciest a pokožky.**
- **Aby ste znížili riziko úrazu elektrickým prúdom, chráňte pred dažďom.**
- **Len na použitie v domácnosti a v exteriéri.**
- **Nepostrekujte horľavé alebo výbušné kvapaliny v uzavretom priestore.** Pri postrekovaní výbušnej kvapaliny hrozí nebezpečenstvo požiaru alebo výbuchu, najmä v uzavretom priestore.
- **Postrekovaný priestor musí byť dobre vetraný.**
- **Počas postrekovania nefajčite ani nepostrekujte na miestach, kde sú prítomné iskry alebo plamene.**
- **Pred naplnením nádrže vždy vyberte akumulátor. Pred vložením akumulátora utrite všetky rozliate tekutiny.** Dodržiavaním tohto pravidla sa zníži riziko úrazu elektrickým prúdom a vniknutia korozívnych kvapalín do akumulátora, ktoré môžu spôsobiť poruchu akumulátora vrátane skratu, čo môže mať za následok dym, požiar a/alebo vážne zranenie osôb.
- **Nedovoľte, aby sa do akumulátora dostali vodivé**

alebo korozívne kvapaliny. Ak sa na akumulátor vylejú vodivé alebo korozívne kvapaliny, postupujte podľa pokynov v návode na obsluhu akumulátora.

- **Pred použitím postrekových materiálov v tomto postrekovači si dôkladne prečítajte etiketu na originálnom obale materiálu a postupujte podľa jej pokynov.** Niektoré postrekové materiály sú nebezpečné a nemali by sa používať v tomto postrekovači, pretože môžu poškodiť postrekovač a spôsobiť vážne zranenia alebo materiálne škody.
- **Poznajte zloženie postrekovanej chemikálie.** Prečítajte si všetky karty bezpečnostných údajov (KBÚ) a etikety na obaloch dodané s chemikáliou. Dodržiavajte bezpečnostné pokyny výrobcu chemikálie.
- **Nebezpečenstvo úrazu elektrickým prúdom.** Nikdy nepostrekujte smerom k elektrickým zásuvkám.
- **Do nádrže nenalievajte horúce alebo vriace kvapaliny.** Tie môžu oslabiť alebo poškodiť rúrky alebo nádrž.
- **Vyhňte sa postrekovaniu počas veterných dní.** Postrek môže byť náhodne odfúknutý na rastliny alebo predmety, ktoré by nemali byť postriekané.
- **Postrekovač skladujte v bezpečnom, dobre vetranom vnútornom priestore s prázdnu nádržou na kvapalinu.**
- **Nepostrekujte bielicidlo ani peroxid vodíka.**
- **Nepostrekujte chemikálie na báze alkoholu.**
- **Nepostrekujte prášky ani abrazívne chemikálie.**
- **Nepostrekujte žieravé (alkalické) alebo samozahrievacie kvapaliny.**
- **Nepoužívajte chemikálie nebezpečné pre životné prostredie, ktoré nie sú povolené podľa miestnych predpisov.**
- **Nemierte trysku postrekovača smerom na ľudí alebo domáce zvieratá.**
- **Nikdy nedovoľte používať stroj deťom, osobám so zníženými fyzickými, zmyslovými alebo duševnými schopnosťami, alebo nedostatkom skúseností a znalostí alebo ľuďom, ktorí nie sú obznamení s týmito pokynmi.**
- **Obsluha alebo používateľ je zodpovedný za nehody a nepredvídané udalosti voči iným osobám a ich majetku.**
- **Postrekovač sa musí používať len s prípravkami na ochranu rastlín schválenými miestnymi/národnými regulačnými orgánmi pre prípravky na ochranu rastlín na použitie s batohovými postrekovačmi.**
- **Riziko vpichu.** Nevypúšťajte priamo na pokožku.

Všetky časti tela udržiavajte mimo dosahu vzoru postreku.


- **Po použití postrekovača nenechávajte v nádrži žiadne zvyšky ani postrekový materiál.** Čistite po každom použití.
- **Na zníženie rizika požiaru alebo výbuchu použite kvapalinu s bodom vzplanutia vyšším ako 60 °C.**
- **Aby ste znížili riziko úrazu elektrickým prúdom, nekladajte postrekovač do vody alebo inej kvapaliny.** Postrekovač neumiestňujte ani neskladujte na miestach, kde by mohol spadnúť alebo byť vťiahnutý do vane alebo umyvadla.
- **Udržujte tento výrobok.** Pred každým použitím dôkladne skontrolujte vnútornú aj vonkajšiu časť postrekovača a preskúmajte jeho súčasti. Skontrolujte, či nie je nádrž prasknutá alebo poškodená, či nedochádza k netesnostiam, či nie sú upchaté trysky a či nechýbajú alebo nie sú poškodené diely. Ak je výrobok poškodený, nechajte ho pred použitím opraviť. Mnoho nehôd spôsobujú zle udržiavané výrobky.
- **Keď sa postrekovač nepoužíva a pred údržbou alebo čistením prepnete vypínač do polohy vypnuté.**
- **Pred vyprázdnením, čistením alebo uskladnením postrekovača odpojte akumulátor od jednotky.** Takéto preventívne bezpečnostné opatrenia znižujú riziko náhodného spustenia.
- **Vždy používajte ochranu očí s bočnými štítmí alebo ochranné okuliare.** V opačnom prípade by mohlo dôjsť k vniknutiu tekutín do očí a následnému vážnemu poraneniu.
- **Chráňte svoje pľúca.** Používajte schválené ochranné pomôcky, ako sú masky na tvár, ktoré sú špeciálne navrhnuté na filtrovanie postreku, rukavice a iné vhodné ochranné pomôcky. Dodržiavanie tohto pravidla zníži riziko vážneho úrazu. Dodržiavajte bezpečnostné pokyny výrobcu chemikálie a pokyny uvedené v karte bezpečnostných údajov.
- **Chemikálie a chemické výpary môžu byť nebezpečné a spôsobiť vážne poranenie, trvalé poškodenie alebo smrť pri požití, vdychnutí alebo postriekaní očí alebo pokožky.** Dodržiavajte bezpečnostné pokyny výrobcu chemikálie a pokyny uvedené v karte bezpečnostných údajov.
- **Za účelom zníženia rizika zranenia sa vyžaduje prísny dohľad, ak je postrekovač používaný v blízkosti detí.**
- **Nedotýkajte sa pohyblivých častí.**
- **Používajte len doplnky odporúčené alebo predávané výrobcom.**

SK

- **Zabráňte neúmyselnému uvedeniu do prevádzky.** Pred pripojením akumulátora, pri zdvíhaní alebo prenášaní spotrebiča sa uistite, že vypínač je vo vypnutej polohe. Prenášanie spotrebiča s prstom na vypínači alebo aktivácia spotrebičov, ktoré majú zapnutý vypínač, môže viesť k úrazu.

ODLOŽTE SI TIETO POKYNY

TECHNICKÉ ÚDAJE

Menovité napätie	56 V 
Max. kapacita nádrže	15 l
Max. pracovný tlak	24 bar
Max. prietok postreku (s nastaviteľnou tryskou, režim postreku)	2,3 l/min
Priemer vstupného filtra	35 mm
Veľkosť očí vstupného filtra	0,35 mm
Priemer výstupného filtra	124 mm
Hmotnosť (hmotnosť v suchom stave, bez akumulátora)	7,6 kg
Odporúčaná prevádzková teplota	5 °C - 40 °C
Odporúčaná skladovacia teplota	-20 °C - 70 °C
Odporúčaná teplota nabíjania	5 °C - 40 °C

VAROVANIE: Pred použitím batohového postrekovača sa uistite, že jeho celková hmotnosť vrátane stroja, kvapaliny v nádrži a použitej trysky a akumulátora nepresahuje 25 kg, aby ste predišli zraneniu a strate rovnováhy.

- Deklarovaná celková hodnota vibrácií bola meraná v súlade so štandardnou skúšobnou metódou a môže sa použiť na vzájomné porovnanie jednotlivých náradí;
- Uvádzaná celková hodnota vibrácie sa môže použiť aj na predbežný odhad expozície.

POZNÁMKA: Emisia vibrácií pri skutočnom používaní náradia sa môže odlišovať od deklarovanej hodnoty, pri akej sa nástroj používa; za účelom ochrany obsluhy má

používateľ v skutočných podmienkach použitia nosiť rukavice a ochranu sluchu.

OBSAH BALENIA (OBR. A1)

POPIS

POZNAJTE SVOJ POSTREKOVAC (OBR. A1)

1. Hadica
2. Priestor pre akumulátor
3. Nádrž
4. Uzáver nádrže
5. Rukoväť na prenášanie
6. Nastaviteľný nosný postroj
7. Volič rýchlosti
8. Poistná páčka
9. Hlavný vypínač
10. Ovládacia rukoväť
11. Koncovka
12. Postrekovacia tyč
13. Nastaviteľná tryska
14. Ventilátorová tryska
15. Penová tryska
16. Sprchová tryska

MONTÁŽ

VAROVANIE: Ak akýkoľvek diel chýba, alebo je poškodený, nepoužívajte tento výrobok, kým nie sú vymenené diely. Ak používate tento výrobok s poškodenými alebo chýbajúcimi časťami, môže dôjsť k vážnemu zraneniu.

VAROVANIE: Nepokúšajte sa upravovať tento výrobok alebo vytvoriť príslušenstvo, ktoré nie je odporúčané na použitie s týmto výrobkom. Každá takáto zmena alebo modifikácia sa považuje za zneužitie a môže spôsobiť nebezpečný stav, ktorý vedie k možnému vážnemu zraneniu.

VAROVANIE: Pri montáži dielov, zmene nastavenia, čistení a ak stroj nepoužívate, vždy vyberte akumulátor zo stroja, aby ste zabránili náhodnému spusteniu, ktoré by mohlo spôsobiť vážne zranenia.

- Tento výrobok vyžaduje montáž.

- Šetrne vyberte výrobok a príslušenstvo z obalu. Uistite sa, že obsahuje všetky položky uvedené v „**Obsahu balenia**“.
- Náradie starostlivo skontrolujte, aby ste sa presvedčili, že počas prepravy nedošlo k žiadnemu zlomeniu alebo poškodeniu.
- Nevyhadzujte obalový materiál, kým výrobok dôkladne neskontrolujete a uspokojivo neprevádzkujete.
- Ak sú niektoré časti poškodené alebo chýbajú, vráťte výrobok na miesto nákupu.

PRIPOJENIE POSTREKOVEJ TYČE K OVLÁDAČEJ RUKOVÄTI

1. Nasaďte koncovku postrekovacej tyče na ovládaciu rukoväť a pevne ju utiahnite v smere hodinových ručičiek (obr. B).
2. Aby ste sa uistili, že je postrekovacia tyč správne zaistená, potiahnite za ňu.

PREVÁDZKA

VAROVANIE: Nedovoľte, aby dlhodobá skúsenosť práce s týmto výrobkom spôsobila vašu neopatrnosť. Pamätajte na to, že aj chvíľková neopatrnosť stačí na to, aby spôsobila vážny úraz.

VAROVANIE: Používajte bezpečnostnú výbavu. Pri miešaní, plnení, postrekovaní a čistení si chráňte oči, pokožku a pľúca. V opačnom prípade môže dôjsť k vážnemu zraneniu osôb a poškodeniu majetku.

VAROVANIE: Aby ste predišli vážnemu zraneniu osôb, pred údržbou, čistením, výmenou doplnkov, plnením alebo vyprázdňovaním nádrže vyberte akumulátor zo spotrebiča.

VAROVANIE: Nepoužívajte žiadne doplnky alebo príslušenstvo, ak ho neodporúča výrobca uvedeného výrobku. Používanie doplnkov alebo príslušenstva, ktoré nie je odporúčané, môže viesť k vážnemu zraneniu osôb.

Pred každým použitím skontrolujte, či na zariadení nie sú poškodené, chýbajúce alebo uvoľnené časti, napríklad skrutky, matice, závitky, uzávery, atď. Bezpečne utiahnite všetky upevňovacie prvky a uzávery a nepoužívajte tento výrobok, kým nebudú vymenené všetky chýbajúce alebo poškodené diely.

ZAMÝŠLANÉ POUŽITIE

Tento výrobok môžete použiť na tieto uvedené účely:

- Aplikácia hnojív a zalievanie rastlín.
- Postrek herbicídmi, pesticídmi a fungicídmi.

POZNÁMKA: Výrobok je určený len na záhradnícke a poľnohospodárske použitie.

POZNÁMKA: Výrobok sa musí používať v súlade s účelom použitia. Každé iné použitie sa považuje za prípad nevhodného použitia.

VAROVANIE: Nesprávna aplikácia chemikálií alebo roztokov môže mať za následok **ŤAŽKÉ ZRANENIA** alebo SMRŤ. Dodržiavajte bezpečnostné pokyny výrobcu chemikálie a pokyny uvedené v karte bezpečnostných údajov.

PLNENIE NÁDRŽE (obr. C)

VAROVANIE: Pri používaní, čistení a skladovaní vždy dodržiavajte pokyny výrobcu chemikálie uvedené na etikete výrobku. Nekombinujte chemikálie. Po každom použití nádrž dôkladne vyčistite podľa pokynov uvedených v časti „**ÚDRŽBA**“ tejto príručky. Chemikálie by sa mali skladovať mimo dosahu detí. V opačnom prípade môže dôjsť k vážnemu zraneniu osôb.

VAROVANIE: Aby ste predišli zraneniu a strate rovnováhy, uistite sa, že množstvo kvapaliny pridanej do nádrže vrátane celkovej hmotnosti postrekovača a stroja, kvapaliny v nádrži a použitej trysky a akumulátora nepresahuje 25 kg.

Kvapalné chemikálie, ktoré budete postrekovať, musia byť riedke ako voda. Hustejšie kvapaliny nebudú postrekované správne. Nádrž nepreplňajte.

1. Vyberte akumulátor.
2. Odskrutkujte uzáver nádrže proti smeru hodinových ručičiek a vyberte ho z nádrže.
3. Postrekovač postavte na rovný povrch.
4. Naplňte nádrž požadovaným množstvom vody.
5. Odmerajte odporúčané množstvo tekutej chemikálie.
6. Opatrne nalejte kvapalnú chemikáliu do nádrže.
7. Naskrutkujte uzáver nádrže späť na postrekovač a uistite sa, že je pevne utiahnutý.

Postrekové roztoky sa môžu vopred namiešať a naliať do postrekovača.

POZNÁMKA: Ak na uchovávanie kvapaliny používate odmernú nádobu, nezabudnite ju po použití dôkladne vyčistiť a vypláchnuť. Ak postrekový roztok miešate vopred,

SK

nádobu použitú na miešanie vypláchnite.

POZNÁMKA: Po každom použití je dôležité postrekovač dôkladne vyčistiť. Ak necháte kvapalinu v nečinnom postrekovači dlhší čas, môže to spôsobiť, že sa jeho pohyblivé časti a konektory zadrú.

PRIPOJENIE/ODPOJENIE AKUMULÁTORA

Používajte iba EGO akumulátory a nabíjačky uvedené na obr. A2.

Ďalšie podrobnosti nájdete v príslušných návodoch pre akumulátory a nabíjačky.

Préd prvým použitím úplne nabite.

1. Zdvihnite kryt priestoru pre akumulátor zdvihnutím prednej časti krytu (obr. D1).
2. **Pripojenie:** Zarovnajtie rebrovanie akumulátora s montážnymi drážkami a zatlačte akumulátor nadol, kým nebudete počuť „cvaknutie“ (obr. D1).
3. **Odpojenie:** Stlačte tlačidlo uvoľnenia akumulátora a vytiahnite akumulátor (obr. D2).
4. Zatvorte kryt priestoru pre akumulátor.

SK

VAROVANIE: Vždy majte na pamäti umiestnenie vašich nôh, polohu detí, či zvierat pri stlačení tlačidla pre uvoľnenie akumulátora. Mohlo by dôjsť k vážnemu zraneniu v prípade vypadnutia akumulátora. NIKDY nevyberajte akumulátor na vyvýšenom mieste.

VAROVANIE: Pred začatím práce sa uistite, že západka na postrekovači zapadla na miesto, akumulátor je pripevnený k postrekovaču a kryt priestoru pre akumulátor je úplne zatvorený. Ak sa akumulátor nedá bezpečne usadiť, môže dôjsť k jeho vypadnutiu, čo môže mať za následok vážne zranenie osôb.

VAROVANIE: Aby ste predišli vážnemu zraneniu osôb, pri zdvíhaní alebo preprave postrekovača vždy vyberte akumulátor a ruky držte mimo ovládacej rukoväte.

UMIESTNENIE BATOHOVÉHO POSTREKOVAČA

VAROVANIE: Pri obsluhu tohto spotrebiča sa správne oblečte, aby ste znížili riziko poranenia. Nenoste šperky alebo voľný odev. Používajte ochranu zraku. Oblečte si odolné, dlhé nohavice, vysoké topánky a rukavice. Nenoste krátke nohavice, sandále alebo nebudte naboso.

Préd použitím batohového postrekovača sa uistite, že obsluha má na sebe ochranu očí a vhodný odev a že

dokáže udržať bezpečný a vyvážený postoj.

Nastavenie nosného postroja

1. Vložte ruky do nosných popruhov pre nosenie postrekovača na chrbte.
2. Dočasne upravte oba ramenné popruhy do pohodlnej polohy (obr. E1). Uistite sa, že je váš lakeť v pohodlnej polohe.
3. Zapnite hrudnú sponu a v prípade potreby upravte dĺžku hrudného popruhu (obr. E2).
4. Zapnite bedrovú sponu a nastavte dĺžku bedrového popruhu tak, aby batoh bol pevne podporovaný vašimi bokmi (obr. E3 a E4).

POZNÁMKA: Batoh by nemal sedieť príliš vysoko na chrbte; mal by byť umiestnený bližšie k bokom než k ramenám.

VAROVANIE: V prípade núdze okamžite uvoľnite hrudnú a bedrovú sponu, aby ste si mohli odopnúť popruh batohu na každej strane. Ide o metódu rýchleho uvoľnenia.

5. Upravte ramenné popruhy pre bezpečnosť a pohodlie. Tým zaistíte, že batoh pevne sedí na chrbte, jeho hmotnosť je podporovaná driekovým pásom bez nadmerného pohybu pri pohybe (obr. E5).
6. Prípadnú nadbytočnú dĺžku popruhu okolo pásu vložte do gumičky na oboch stranách (obr. E6).
7. Ak chcete batoh zložiť z chrbta, stačí stlačiť spony na páse a na hrudi, aby sa uvoľnili, a spustiť postrekovač (obr. E7).

SPUSTENIE/ZASTAVENIE POSTREKOVAČA (OBR. F)

Volič rýchlosti

1. Ak chcete zvýšiť prietok, otáčajte voličom rýchlosti v smere hodinových ručičiek.

F-1	Volič rýchlosti	F-3	Hlavný vypínač
F-2	Poistná páčka		

2. Ak chcete znížiť prietok, otáčajte voličom rýchlosti proti smeru hodinových ručičiek.
3. Postrekovač sa zastaví, ak budete stále otáčať ovládačom do polohy „VYPPNUTÉ“.

VAROVANIE: Aby ste zabránili neúmyselnému spusteniu, otočte volič rýchlosti do polohy vypnuté (červená bodka na voliči smeruje k postrekovacej tyči).

VAROVANIE: Pred uskladnením stroja, jeho dlhším ponechaním alebo výmenou akumulátora vždy otočte volič rýchlosti do polohy vypnuté (červená bodka na voliči smeruje k postrekovacej tyči).

Hlavný vypínač

1. Stlačením hlavného vypínača zapnete postrekovač.
2. Uvoľnením vypínača zastavíte prietok.

Poistná páčka

Poistná páčka je pohodlná pri postrekovaní počas dlhšej doby alebo pri pokrývaní veľkej plochy.

1. Ak chcete uzamknúť hlavný vypínač, po stlačení spúšte zatlačte poistnú páčku.
2. Ak chcete uvoľniť hlavný vypínač, vytiahnite za poistnú páčku.

POZNÁMKA: Pred vložení akumulátora do postrekovača sa uistite, že vypínač nie je zamknutý.

NASTAVENIE A VÝMENA TRYSIEK

VAROVANIE: Aby ste predišli vážnemu zraneniu osôb, pred nastavením alebo výmenou trysiek vyberte akumulátor.

Postrekovač sa dodáva so štyrmi tryskami: Nastaviteľná tryska, ventilátorová tryska, sprchová tryska a penová tryska. Pred začatím práce vymeňte trysku tak, aby vyhovovala danej úlohe.

Nastaviteľná tryska (obr. G1): Bodový postrek záhonov, chodníkov, príjazdových ciest, terás a okolia stromov a kríkov. Lemovanie plotov, príjazdových ciest a chodníkov. Usmrcujúca kefa.

Ventilátorová tryska (obr. G3): Plochý postrek na veľmi široké pokrytie a kvapaliny s vyššou viskozitou. Príprava veľkých plôch na výsadbu.

G-1	Ventilátorová tryska	G-3	Penová tryska
G-2	Sprchová tryska		

Sprchová tryska (obr. G3): Vypúšťa vyšší prietok vody na zavlažovanie a ošetrovanie rastlín.

Penová tryska (obr. G3): Viditeľne označuje ošetrovanú burinu. Bodový postrek burín v trávniku, okolo záhonov, stromov a kríkov. Lemovanie plotov, príjazdových ciest a chodníkov.

Nastaviteľnú trysku možno nastaviť medzi prúdom a postrekovaním (obr. G1).

1. Otočte vrúbkovanou (textúrovanou) časťou trysky proti

smeru hodinových ručičiek, aby sa vytvoril prúd.

2. Otočte vrúbkovanou (textúrovanou) časťou trysky v smere hodinových ručičiek, aby ste začali postrekovať.

Odskrutkujte celú trysku proti smeru hodinových ručičiek, aby ste ju mohli vybrať a vymeniť (obr. G2).

Prietok rôznych trysiek dodávaných s postrekovačom:

	Menovitý prietok (l/min)	Maximálny pracovný tlak (l/min)	Optimálny pracovný tlak (l/min)
Nastaviteľná tryska	2,3	2,7	2,4
Ventilátorová tryska	2,3	2,7	2,4
Sprchová tryska	2,3	2,9	2,7
Penová tryska	2,3	2,7	2,4

POSTREKOVANIE CHEMICKÝCH LÁTKO PRE DOMÁCNOSŤ A ZÁHRADU (obr. H)

VAROVANIE: Nikdy nemierte tryskou tyče na seba ani na iné osoby.

VAROVANIE: Počas práce s postrekovačom nikdy nefajčite, nejedzte ani nepite.

VAROVANIE: Nikdy nepostrekujte smerom k ľuďom alebo zvieratám; vždy postrekujte po vetre.

VAROVANIE: Riziko požiaru alebo výbuchu. Priestor na postrekovanie musí byť dobre vetraný a mimo dosahu iskiev alebo plameňov.

1. Nainštalujte akumulátor.
2. Otáčaním voliča rýchlosti nastavte požadovaný prietok.
3. Namierte trysku postrekovača priamo na rastliny alebo objekty, ktoré chcete postriekať.

POZNÁMKA: Uistite sa, že stojíte v dostatočnej vzdialenosti od postrekovaného predmetu, aby ste zabránili striekaniu postreku späť na vás.

4. Stlačením vypínača spustíte postrekovač.
5. Ak chcete zastaviť postrekovač, uvoľnite vypínač.

SK

6. Po každom použití nádrží vždy vypustite a vyčistite podľa pokynov v časti „ÚDRŽBA“.

PREVÁDZKOVÉ RADY

- Nastavte ramenné popruhy postroja tak, aby postrekovač sedel nad vašim pásom a nádrž bola tesne pri vašom chrbte.
- Vyhňte sa postrekovaniu počas veterných dní. Postrek môže byť náhodne odfúknutý na rastliny alebo predmety, ktoré by nemali byť postriekané.
- Postrekujte skoro ráno alebo neskoro popoludní, najmä v teplejšom počasí. Nadmerné teplo môže postrek odpariť skôr, ako sa usadí.

ÚDRŽBA

VAROVANIE: Pri servise používajte iba identické náhradné diely. Použitie iných častí môže vyvolať nebezpečenstvo, alebo spôsobiť poškodenie výrobku. Pre zaistenie bezpečnosti a spoľahlivosti je nevyhnutné, aby všetky opravy vykonával len kvalifikovaný servisný technik.

VAROVANIE: Aby ste predišli vážnemu zraneniu osôb, pred údržbou, čistením, výmenou trysiek, akoukoľvek údržbou alebo keď sa postrekovač nepoužíva, vyberte z postrekovača akumulátor. Akumulátorový postrekovač sa môže spustiť náhodne, ak je v ňom vložený akumulátor.

VŠEOBECNÁ ÚDRŽBA

Všetok servis postrekovača, okrem položiek uvedených v tomto návode na údržbu, by mal vykonávať kvalifikovaný servisný technik.

ČISTENIE

Na čistenie plastových dielov nepoužívajte rozpúšťadlá. Väčšina plastov je náchylná na poškodenie z rôznych typov komerčných rozpúšťadiel a môžu sa poškodiť, ak sa rozpúšťadlá použijú. Použite čistú handru na odstránenie nečistôt, prachu, oleja, mastnoty atď.

VAROVANIE: Nikdy nedovoľte, aby brzdové kvapaliny, benzín, ropné výrobky, penetračné oleje atď., prišli do styku s plastovými časťami. Chemické látky môžu poškodiť, oslabiť alebo zničiť plast, čo môže viesť k vážnemu zraneniu.

VAROVANIE: Pri čistení postrekovača ho NEPONÁRAJTE do vody ani do iných kvapalín.

VAROVANIE: Chemikálie vždy správne skladujte a likvidujte. Likvidácia kontaminovanej vody po opláchnutí

by sa mala vykonávať v súlade s miestnymi nariadeniami a predpismi.

- Ak po postreku zostane v nádrži nejaká kvapalina, pred čistením nádrží vypustite.
- Na čistenie vonkajšej časti nádrže vždy používajte len mäkkú, suchú handričku; nikdy nepoužívajte čistiaci prostriedok alebo alkohol.
- Nádržku naplňte čistou vodou približne do jednej tretiny. Postrekujte, kým sa nádrž nevyprázdni. Dbajte na to, aby ste postrek nasmerovali na miesto, ktoré sa nepoškodí postrekovým roztokom.
- Doplňte a zopakujte postup s čistou vodou. Môže byť potrebné nádrž vypláchnuť viackrát a potom ju opäť vyprázdniť podľa vyššie uvedených pokynov.
- Pred opätovným zostavením a uskladnením jednotky nechajte všetky časti úplne vyschnúť.

ÚDRŽBA TRYSKY

VAROVANIE: Dbajte na správne vykonávanie údržby všetkých trysiek, aby ste zabránili úniku vody. Úniky môžu mať za následok klzký povrch, ktorý predstavuje nebezpečenstvo pošmyknutia a pádu, alebo môžu spôsobiť škody na majetku.

Nepravidelné vzory postreku alebo netesnosti môžu byť dôsledkom upchatej alebo znečistenej trysky.

1. Vypnite postrekovač a vyberte akumulátor.
2. **Čistenie nastaviteľnej trysky (obr. I1):**
 - a. Odskrutkujte a odstráňte vrúbkovanú (textúrovanú) časť nastaviteľnej trysky.
 - b. Prestrčte tenký drôt (nie je súčasťou dodávky) cez krížové otvory, aby ste odstránili všetky nečistoty. V prípade potreby vypláchnite krížové otvory a trysku čistou vodou.
 - c. Utrite trysku čistou suchou handričkou a trysku opäť namontujte.
3. **Čistenie ventilátorovej a penovej trysky (obr. I2):**
 - a. Odskrutkujte a vyberte trysku zo postrekovacej tyče.
 - b. Otvorom pretiahnite tenký drôt (nie je súčasťou dodávky), aby ste odstránili všetky nečistoty. V prípade potreby prepláchnite trysku čistou vodou.
 - c. Utrite trysku čistou suchou handričkou a trysku opäť namontujte.

PREPRAVA A SKLADOVANIE (obr. J)

- Vyberte akumulátor.
- Otočte volič rýchlosti do polohy vypnuté (červená bodka

na voliči smeruje k postrekovacej tyči).

- Postrekovač dôkladne vyčistite.
- Vyprázdňte nádrž, hadicu a postrekovaciu tyč.

POZNÁMKA: Pred uskladnením, najmä pred zazimovaním, nezabudnite vyprázdniť nádrž, hadicu a postrekovaciu tyč, aby ste zabránili zamrznutiu a poškodeniu stroja, ktoré by spôsobilo, že by sa po zazimovaní nenaštartoval.

- Zabezpečte postrekovaciu tyč v základni a v odkladacej spone.

J-1	Odkladacia spona	J-3	Rukoväť na prenášanie
J-2	Základňa		

- Pri preprave zdvihnite postrekovač za rukoväť na prenášanie alebo ho prenášajte pomocou nosného postroja.

- Postrekovač skladujte v interiéri na dobre vetranom mieste.
- Chráňte pred agresívnymi látkami, ako sú záhradné chemikálie a rozmrazovacie soli.

Ochrana životného prostredia



Nevyhadzujte elektrické zariadenia, nabíjačku a použité akumulátory do domového odpadu!

Tento výrobok odneste na autorizované recyklačné miesto a poskytnite ho na separovaný zber. Elektrické náradie sa musí odovzdať do ekologického recyklačného zariadenia.

ODSTRAŇOVANIE PORÚCH

PROBLÉM	PRÍČINA	RIEŠENIE
Postrekovač sa nechce spustiť.	<ul style="list-style-type: none"> ■ Akumulátor nie je úplne zasunutý do priestoru pre akumulátor. ■ Žiadny elektrický kontakt medzi postrekovačom a akumulátorom. ■ Akumulátor je vybitý. ■ Akumulátor alebo postrekovač sú príliš horúce. 	<ul style="list-style-type: none"> ■ Skontrolujte, či je akumulátor úplne vložený do priestoru pre akumulátor. ■ Vyberte akumulátor, skontrolujte kontakty a nainštalujte akumulátor naspäť. ■ Nabite akumulátor. ■ Vypnite postrekovač a nechajte akumulátor alebo postrekovač vychladnúť, kým teplota neklesne na odporúčaný rozsah prevádzkových teplôt.
Motor beží, ale z trysky nevychádza žiadny postrek.	<ul style="list-style-type: none"> ■ Nízka hladina kvapaliny v nádrži. ■ Tryska sa počas prevádzky upchala. 	<ul style="list-style-type: none"> ■ Skontrolujte, či je v nádrži dostatok kvapaliny. ■ Vyčistite trysky podľa kapitoly „ÚDRŽBA TRYSKY“ a znovu ich zmontujte podľa pokynov.
Kvapalina uniká z priestoru medzi ovládacou rukoväťou a tyčou.	<ul style="list-style-type: none"> ■ Koncový uzáver tyče je uvoľnený. 	<ul style="list-style-type: none"> ■ Dotiahnite koncový uzáver.
Kvapalina uniká z priestoru medzi postrekovacou tyčou a tryskou.	<ul style="list-style-type: none"> ■ Tryska je uvoľnená alebo nesprávne nainštalovaná. 	<ul style="list-style-type: none"> ■ Správne a pevne nasadíte trysku podľa kapitoly „NASTAVENIE A VÝMENA TRYSKY“.

SK

ZÁRUKA

ZÁRUČNÁ POLITIKA EGO

Úplné znenie záručných podmienok EGO nájdete na webovej stránke egopowerplus.eu.

OLVASSA EL AZ ÖSSZES UTASÍTÁST!



OLVASSA EL A HASZNÁLATI ÚTMUTATÓT

▲ FIGYELMEZTETÉS: A biztonságosság és megbízhatóság biztosítása érdekében minden javítást szakképzett szerviztechnikusnak kell elvégeznie.

▲ FIGYELMEZTETÉS: A szerszám használata előtt feltétlenül olvassa el és értse meg a jelen kezelési útmutatóban található valamennyi biztonsági utasítást, valamint a „VESZÉLY”, „FIGYELMEZTETÉS” és „FIGYELEM” biztonsági figyelmeztető szimbólumokat is. Az alább felsorolt utasítások be nem tartása áramütést, tűzveszélyt és/vagy súlyos személyi sérülést idézhet elő.

ŐRIZZEN MEG MINDEN UTASÍTÁST ÉS FIGYELMEZTETÉST, HOGY KÉSŐBB IS ELŐ TUDJA MAJD VENNI.

BIZTONSÁGI SZIMBÓLUMOK

▲ FIGYELMEZTETÉS: Bármely elektromos kéziszerszám működtetése azzal járhat, hogy idegen tárgyak szembe kerülnek, ami súlyos megsérüléseket okozhat. Az elektromos kéziszerszám működtetése előtt mindig vegyen fel oldalsó védőlemezzel ellátott védőszemüveget és a teljes védőálarcot, ha szükséges. Javasoljuk, hogy viseljen Wide Vision Safety Mask-ot (védőálarc) a védőszemüveg fölött vagy standard védőszemüveget oldalsó védőlemezzel.



Biztonsági figyelmeztetés



A sérülések kockázatának csökkentése érdekében a használónak a termék használata előtt el kell olvasnia és meg kell értenie a használati útmutatót.

HU



Viseljen védőruházatot.



Permetezés közben tartsa távol a járókelőket.



Viseljen arcvédő pajzsot.



A termék megfelel az érvényes EK irányelveknek.



Garantált hangteljesítményszint. Környezetre ható zajkibocsátás a Európai Közösség irányelve szerint.



Ez a termék megfelel az Egyesült Királyság hatályos jogszabályainak.



Az elhasznált elektromos termékek nem helyezhetők a háztartási hulladékok közé. Vigye hivatalos újrahasznosító telephelyre.

IPX4 Fröccsenő víz elleni védelem



Egyenáram

./perc Percenként

V

Feszültség

n_0

Üresjárat fordulatszám

mm

Milliméter

ÁLTALÁNOS BIZTONSÁGI FIGYELMEZTETÉSEK

▲ FIGYELMEZTETÉS: Olvassa el a szerszámhoz mellékelt összes biztonsági figyelmeztetést, utasítást, illusztrációt és specifikációt. Az alább felsorolt utasítások be nem tartása áramütést, tűzveszélyt és/vagy súlyos sérülést idézhet elő.

Őrizzen meg minden figyelmeztetést és utasítást, hogy később is elő tudja majd venni.

A figyelmeztetésekből szereplő „szerszám” kifejezés az Ön hálózati (vezetékes) vagy akkumulátoros (vezeték nélküli) gépére vonatkozik.

MUNKATERÜLETI BIZTONSÁG

- A munkaterület legyen tiszta és jól megvilágított. A munkaterületen uralkodó rendtelenségnek vagy a rossz megvilágításnak baleset lehet a következménye.
- Ne használja a szerszámot robbanásveszélyes környezetben, például olyan helyen, ahol éghető folyadékok, gázok vagy porok találhatóak. A szerszám szikrákat képez, amelyek meggyújthatják a port vagy gázt.
- Tartsa távol a gyermekeket és a közelben tartózkodó személyeket, amikor a szerszámmal dolgozik. Ha megzavarják, elveszítheti uralmát a készülék felett.

HU

ELEKTROMOS BIZTONSÁG

- A szerszám csatlakozóinak illeszkedniük kell az aljzathoz. Soha és semmiképpen se módosítsa a csatlakozódugót. Ne használjon adapteres csatlakozódugókat a (földelt) szerszámokhoz. Az eredeti csatlakozódugó és megfelelő hálózati aljzat alkalmazásával megelőzi az áramütés veszélyét.
- Ne érjen földelt felületekhez, ilyenek pl. a csövek, fűtőtestek, tűzhelyek vagy hűtőszekrények. Az áramütés kockázata nagyobb, ha a teste le van földelve.
- Ne tegye ki a szerszámot esőnek vagy nedves körülményeknek. A gépbe jutó víz növeli az áramütés kockázatát.
- Ne használja a kábelt helytelen módon. Soha ne a vezetéknel fogva hordozza, húzza, vagy válassza le a szerszámot. Tartsa távol a vezetéket hőtől, olajtól, éles szegélyektől és mozgó alkatrészekről. A sérült vagy összegabalyodott hálózati kábelek megnövelik az áramütés veszélyét.
- A szerszám szabadtéri üzemeltetéséhez használjon szabadtéren használható hosszabbító kábelt. A szabadtéren használható kábel alkalmazása csökkenti

az áramütés kockázatát.

- Ha elkerülhetetlen a szerszám használata nedves helyen, használjon áram-védőkapcsolóval (RCD) ellátott tápellátást. A FI-relé használata csökkenti az áramütés veszélyét.

SZEMÉLYI BIZTONSÁG

- Legyen éber, ügyeljen rá, mit csinál, és járjon el a józanul a szerszám használata során. Ne használja a szerszámot, ha fáradtnak érzi magát, vagy ha kábítószert, alkoholt vagy gyógyszerek hatása alatt áll. A szerszámok üzemeltetése közben egy pillanatnyi figyelmetlenség is súlyos személyi sérülést okozhat.
- Használjon egyéni védőfelszerelést. Mindig viseljen védőszemüveget. A védőfelszerelések – mint például porvédő maszk, csúszásmentes lábbeli, sisak és hallásvédő – rendeltetészerű használata révén elkerüli a személyi sérüléseket.
- Akadályozza meg a véletlen indítást. Ügyeljen arra, hogy a kapcsoló kikapcsolt állásban legyen, mielőtt az áramforráshoz és/vagy az akkumulátoregységhez csatlakoztatja, felveszi vagy viszi a szerszámot. Balesethez vezethet, ha a hálózatra csatlakoztatott szerszámot úgy viszi, vagy a hálózati csatlakozódugót úgy csatlakoztatja az aljzathoz, hogy közben az ujjja a bekapcsoló gombon van.
- A szerszám bekapcsolása előtt távolítson el minden beállító kulcsot vagy csavarkulcsot. Személyi sérülést okozhat, ha a szerszámban felejtett csavarkulcs vagy beállító kulcs forgó alkatrészhez ér.
- Ne hajoljon a készülék fölé. Vegyen fel stabil testhelyzetet, és mindig tartsa meg az egyensúlyát. Ez lehetővé teszi a szerszám jobb irányítását váratlan helyzetekben.
- Viseljen megfelelő ruházatot. Ne hordjon laza, bő ruhát, és ne viseljen ékszert. A haj és a ruházat ne érjen a mozgó részekhez. A laza ruházatot, az ékszert vagy a hosszú hajat becsíphetik a mozgó alkatrészek.
- Ha az elektromos kéziszerszámot porfelszívó vagy porfelfogó eszközzel szerelik fel, akkor győződjön meg arról, hogy ezek előírászerűen vannak-e csatlakoztatva, és használja őket a rendeltetésüknek megfelelően. Porgyűjtő használata csökkentheti a porral járó veszélyeket.
- Ne hagyja, hogy a rendszeres használat során megszerzett tapasztalat miatt túl magabiztossá váljon, és emiatt figyelmen kívül hagyja a biztonsági irányelveket. Egy óvatlan cselekedet a másodperc töredéke alatt súlyos sérülést okozhat.

A GÉP HASZNÁLATA ÉS GONDOZÁSA

- **Ne erőltesse a gépet. Használja az alkalmazásának megfelelő szerszámot.** A megfelelő szerszámmal jobban és biztonságosabban dolgozhat a megadott teljesítményhatárokon belül.
 - **Ne használja a szerszámot, ha nem lehet a bekapcsoló gombbal be- vagy kikapcsolni.** Az olyan szerszám, amely nem irányítható a kapcsolóval, veszélyes és javításra szorul.
 - **Húzza ki a hálózati csatlakozó dugót az aljzatból és/ vagy, ha lehet, vegye ki az akkumulátoregységet az elektromos szerszámból, mielőtt beállításokat végezne, tartozékok cserélne vagy az elektromos szerszámot elrakná.** A megelőző biztonsági óvintézkedések csökkentik a szerszám véletlen beindításának kockázatát.
 - **A használaton kívüli szerszámot tartsa gyermekek elől elzár helyen, és ne engedje, hogy olyanok használják a szerszámot, akik nem ismerik a szerszámot vagy a jelen használati útmutatót.** A szerszám veszélyt jelent, ha gyakorlatlan felhasználó kezébe kerül.
 - **Gépek és tartozékok karbantartása. Ellenőrizze a mozgó alkatrészek beállítását és rögzítését, vizsgáljon meg minden alkatrészt, hogy nem sérült-e, és ellenőrizze, nem állnak-e fenn olyan körülmények, amelyek befolyásolhatják a szerszám működését.** Ha sérült, használat előtt javíttassa meg a szerszámot. A rosszul karbantartott szerszám sok balesetet okoz.
 - **A vágószerszámok legyenek mindig élesek és tiszták.** A megfelelően karbantartott és kiélezett vágóélekkel rendelkező vágószerszámok kevésbé hajlamosak az elgömbülésre, valamint könnyebben kezelhetők.
 - **A szerszámot, tartozékokat és szerszámfejeket, stb. mindig a biztonsági utasításoknak megfelelően használja, figyelembe véve a munkakörülményeket és az elvégezni kívánt munkafolyamatot.** A szerszám rendeltetési céljától eltérő használata veszélyes helyzetet eredményezhet.
 - **Tartsa szárazon, tisztán, olajtól és zsírtól mentesen a fogantyúkat és a tartófelületeket.** A csuszós fogantyúk és markolatok miatt a szerszám kezelése és vezérlése váratlan helyzetekben nem biztonságos.
- AZ AKKUMULÁTOROS SZERSZÁM HASZNÁLATA ÉS GONDOZÁSA**
- **Csak a gyártó által meghatározott töltőt használja.** Az olyan töltő, amely egy típusú akkumulátoregységhez alkalmas, tűzveszélyt okozhat, ha más típusú akkumulátoregységhez használja.
 - **A készülékeket csak a kifejezetten hozzá készült akkumulátoregységekkel használja.** Bármely más akkumulátoregység használata sérülés- vagy tűzveszélyt okozhat.
 - **Amikor nem használja az akkumulátoregységet, tartsa távol más fémtárgyaktól, például gemkapcsoktól, érméktől, kulcsoktól, szögektől, csavaroktól vagy más kis fémtárgyaktól, amelyek kapcsolatba léphetnek vele.** Az akkumulátorok kapcsainak rövidzárlata égési sérülést vagy tüzet okozhat.
 - **Nem megfelelő körülmények között folyadék szivároghat az akkumulátorból; ügyeljen rá, hogy ne kerüljön érintkezésbe vele. Amennyiben véletlenül hozzáérne, mossa le vízzel. Ha ez a folyadék szembe kerül, forduljon orvoshoz.** Az akkumulátorból kiszivárgó folyadék irritációt vagy égési sérülést okozhat.
 - **Ne használjon sérült, módosított akkumulátoregységet vagy szerszámot.** A sérült vagy módosított akkumulátorok előre nem látható viselkedést válthatnak ki, amelynek eredménye tűz, robbanás vagy sérülésveszély lehet.
 - **Ne tegye ki az akkumulátoregységet és a szerszámot tűznek vagy túl magas hőmérsékletnek.** Ha tűznek, vagy 130 °C feletti hőmérsékletnek teszi ki, akkor felrobbanhat.
 - **Tartsa be a töltésre vonatkozó utasításokat, és ne töltse az akkumulátoregységet vagy a szerszámot az utasításokban meghatározott hőmérséklet-tartományon kívül.** A nem megfelelő vagy a meghatározott hőmérséklet-tartományon kívüli töltés károsíthatja az akkumulátort, és növeli a tűzveszélyt.
- SZERVIZ**
- **A gépet szakképzett személlyel, eredeti cserealkatrész felhasználásával javíttassa meg.** Ezzel biztosítja a szerszám biztonságának fenntartását.
 - **Soha ne szervizeljen sérült akkumulátoregységeket.** Az akkumulátoregységek szervizelését csak a gyártó vagy a felhatalmazott szerviz szolgáltató végezheti.
- BIZTONSÁGI UTASÍTÁSOK VEZETÉK NÉLKÜLI PERMETEZŐGÉPHEZ**
- ⚠ VESZÉLY: Tűz- vagy robbanásveszély.** Ne permetezzen gyúlékony folyadékokat, például benzint.

▲ FIGYELMEZTETÉS:

- A sérülések elkerülése érdekében mindig viseljen szem-, légzés- és bőrvédelmet.
- Az áramütés veszélyének csökkentése érdekében ne tegye ki esőnek.
- Kizárólag háztartási és kültéri használatra.
- Ne permetezzen gyúlékony vagy éghető folyadékokat zárt térben. Ha éghető folyadékot permetez, fennáll a tűz vagy robbanás veszélye, különösen zárt térben.
- A permetezési területet jól kell szellőztetni.
- Ne dohányozzon permetezés közben, és ne permetezzen olyan helyen, ahol szikrák vagy lángok vannak jelen.
- A tartály feltöltése előtt mindig vegye ki az akkumulátoregységet. Töröljön fel minden kiömlött folyadékot, mielőtt behelyezné az akkumulátoregységet. Ennek a szabálynak a betartása csökkenti az áramütés és a maró folyadékok akkumulátoregységbe való bejutásának kockázatát, ami az akkumulátoregység meghibásodását okozhatja, beleértve a rövidzárlatot is, ami füstöt, tüzet és/vagy súlyos személyi sérülést eredményezhet.
- Ne engedje, hogy vezető vagy maró hatású folyadékok kerüljenek az akkumulátoregység belsejébe. Ha vezető vagy maró hatású folyadékok kerülnek az akkumulátoregységre, olvassa el az akkumulátoregység kezelési útmutatójában található utasításokat.
- Mielőtt permetezőanyagokat használna ebben a permetezőgépben, alaposan olvassa el az anyag eredeti tárolóedényén lévő címkét, és kövesse az utasításokat. Egyes permetezőanyagok veszélyesek, és nem használhatók ebben a permetezőgépben, mivel károsíthatják a permetezőgépet, és súlyos testi sérülést vagy anyagi kárt okozhatnak.
- Legyen tisztában a permetezendő vegyszer tartalmával. Olvassa el az összes biztonsági adatlapot (SDS) és a vegszerrel együtt kapott tárolóedény-címkéket. Kövesse a vegyszer gyártójának biztonsági utasításait.
- Áramütés veszélye. Soha ne permetezzen az elektromos konnektorok felé.
- Ne öntsön forró vagy forrásban levő folyadékot a tartályba. Ezek gyengíthetik vagy károsíthatják a csöveket vagy a tartályt.
- Kerülje a permetezést szeles napokon. A permetet véletlenül olyan növényekre vagy tárgyakra fújhatja, amelyeket nem szabad permetezni.
- Tárolja a permetezőt biztonságos, jól szellőző beltéri helyen üres folyadéktartállyal.
- Ne permetezzen fehérítőt vagy hidrogén-peroxidot.
- Ne permetezzen alkoholos vegyszereket.
- Ne permetezzen porokat vagy csiszoló vegyszereket.
- Ne permetezzen maró (lúgos) vagy önmelegedő folyadékokat.
- Ne használjon olyan, környezetre veszélyes vegyi anyagokat, amelyek a helyi előírások szerint nem engedélyezettek.
- Ne irányítsa a permetező szórófejét emberek vagy háziállatok felé.
- Soha ne engedélyezze a gép használatát olyan gyermekeknek, személyek akik csökkent fizikai, érzékszervi vagy szellemi képességekkel rendelkeznek, vagy nem rendelkeznek kellő belátással és tudással a készülékről.
- A szerszám működtetője a felelős azokért a balesetekért vagy veszélyekért, amelyek más embereket érintenek vagy mások vagyontárgyait érintik.
- A permetezőgépet csak olyan növényvédő szerekkel szabad használni, amelyeket a helyi/nemzeti szabályozó hatóságok a háti permetezőgépekkel használható növényvédő szerekre vonatkozóan engedélyeztek.
- Befecskendezés veszélye. Nem szabad közvetlenül a bőrre irányítani. Minden testrészt tartson távol a permetezőgéptől.
- A permetezőgép használata után ne hagyjon maradékot vagy permetezőanyagot a tartályban. Minden használat után tisztítsa meg.
- A tűz- vagy robbanásveszély csökkentése érdekében használjon 60 °C-nál magasabb lobbanáspontú folyadékot.
- Az áramütés veszélyének csökkentése érdekében ne tegye a permetezőgépet vízbe vagy más folyadékba. Ne helyezze vagy tárolja a permetezőgépet olyan helyen, ahol kádba vagy mosogatóba eshet.
- Végezze el mindig a termék karbantartását. Minden használat előtt alaposan ellenőrizze a permetezőgépet kívül és belül, és vizsgálja meg az alkatrészeket. Ellenőrizze, hogy a tartály nem repedt vagy rongálódott-e meg, nincsenek-e szivárgások, eltömődött szórófejek, valamint hiányzó vagy sérült alkatrészek. Ha megsérült, használat előtt javíttassa meg a terméket. A rosszul karbantartott termékek sok

balesetet okoznak.

- Ha a permetezőgépet nem használja, valamint a szervizelés vagy tisztítás előtt állítsa a főkapcsolót kikapcsolt állásba.
- A permetezőgép leürítése, tisztítása vagy tárolása előtt válassza le az akkumulátort a készülékről. Az ilyen megelőző biztonsági intézkedések csökkentik a véletlen indítás kockázatát.
- Mindig viseljen szemvédelmet oldalsó védőpajzsral vagy védőszemüveget. Amennyiben ezt elmulasztja, folyadékok kerülhetnek a szemébe, súlyos sérülést okozva.
- Védje a tüdejét. Viseljen engedélyezett védőfelszereléseket, például kifejezetten a permetek kiszűrésére tervezett arcmaszkot, kesztyűt és egyéb megfelelő védőfelszerelést. Ennek a szabálynak a betartása csökkenti a súlyos személyi sérülés kockázatát. Kövesse a vegyszer gyártójának biztonsági utasításait és a biztonsági adatlapon felsorolt irányelveket.
- A vegyi anyagok és a vegyi gázok veszélyesek lehetnek, és súlyos sérülést, maradandó egészségkárosodást vagy halált okozhatnak, ha lenyelik, belélegzik őket, vagy ha szembe vagy bőrre fröccsennek. Kövesse a vegyszer gyártójának biztonsági utasításait és a biztonsági adatlapon felsorolt irányelveket.
- A sérülésveszély csökkentése érdekében fokozott figyelem szükséges, ha a készüléket gyermekek közelében használják.
- Ne érintkezzen mozgó alkatrészekkel.
- Csak a gyártó által javasolt vagy értékesített tartozékokat használja.
- Akadályozza meg a véletlen indítást. Ügyeljen arra, hogy a kapcsoló kikapcsolt állásban legyen, mielőtt az akkumulátoregységhez csatlakoztatja, felveszi vagy viszi a készüléket. Balesetekhez vezethet, ha a hálózatra csatlakoztatott készüléket úgy viszi, hogy közben az ujjá a bekapcsoló gombon van, vagy ha a hálózati csatlakozódugót olyankor dugja be az aljzatba, amikor a készülék be van kapcsolva.

ŐRIZZE MEG EZEKET AZ UTASÍTÁSOKAT!

JELLEMZŐK

Névleges feszültség	56 V
Max. Tartálykapacitás	15 l
Max. üzemi nyomás	24 bar
Max. permetezési áramlási sebesség (állítható szórófejjel, permetezési üzemmódban)	2,3 l/perc
Bemeneti szűrő átmérője	35 mm
Bemeneti szűrő szemcsemérete	0,35 mm
Kimeneti szűrő átmérője	124 mm
Súly (száraz súly, akkumulátoregység nélkül)	7,6 kg
Javasolt üzemi hőmérséklet	5°C - 40°C
Javasolt tárolási hőmérséklet	-20 °C - 70 °C
Javasolt töltési hőmérséklet	5°C - 40 °C

HU

⚠ FIGYELMEZTETÉS: A sérülések és az egyensúlyvesztés elkerülése érdekében a háti permetezőgép használata előtt győződjön meg arról, hogy a gép teljes súlya, beleértve a gépet, a tartályban lévő folyadékokat, valamint a használt szórófejet és akkumulátoregységet, nem haladja meg a 25 kg-ot.

- A névleges rezgési összérték mérése standard bevizsgálási módszerrel történt, és használatával a szerszámok egymással összehasonlíthatók;
- A névleges rezgési összérték a kockázat előzetes felméréséhez is felhasználható.

MEGJEGYZÉS: A rezgés-kibocsátás az elektromos szerszám aktuális használata közben eltérhet attól a névleges értéktől, amellyel a szerszámot használják: a kezelő védelme érdekében a használatnak kesztyűt és hallásvédőt kell használnia működtetés közben.

A CSOMAG TARTALMA (A1 ÁBRA)

LEÍRÁS

ISMERJE MEG A PERMETEZŐGÉPÉT (A1 ÁBRA)

1. Tömlő
2. Akkumulátor tartó
3. Tartály
4. Tartálysapka
5. Hordozó fogantyú
6. Állítható tartó hám
7. Sebesség tárcsa
8. Reteszelő kar
9. Be-/kikapcsoló
10. Szabályozó fogantyú
11. Zárósapka
12. Permetezőrúd
13. Állítható szórófej
14. Ventilátoros szórófej
15. Habosító szórófej
16. Esőztető szórófej

ÖSSZESZERELÉS

HU

▲ FIGYELMEZTETÉS: Ha bármely alkatrész sérült vagy hiányzik, akkor addig ne használja a terméket, amíg az alkatrész(ek) cseréje meg nem történik. Sérült vagy hiányzó alkatrészekkel történő használat súlyos személyi sérülést okozhat.

▲ FIGYELMEZTETÉS: Ne próbálja megváltoztatni a terméket, és ne készítsen hozzá tartozékokat, amelyek nem javasoltak ehhez a termékhez. Bármilyen módosítás vagy változtatás helytelen használatnak minősül, és veszélyes feltételeket teremthet, amely súlyos személyi sérüléssel végződhet.

▲ FIGYELMEZTETÉS: A véletlenszerű indítás elkerülése érdekében, ami súlyos személyi sérülést okozhat, mindig vegye ki az akkumulátoregységet a gépből, amikor összeszereli az alkatrészeket, beállításokat, tisztítást végez, vagy amikor nem használja.

- A termék összeszerelését igényel.
- Óvatosan távolítsa el a terméket és a kiegészítőket a dobozból. Győződjön meg róla, hogy a „Csomaglistában” látható összes elem megtalálható.
- Gondosan vizsgálja meg a terméket, és ellenőrizze, hogy a szállítás során nem tört-e el vagy sérült-e meg.

- Ne dobja ki a csomagolóanyagot addig, amíg gondosan meg nem vizsgálta és kielégítően nem üzemeltette a terméket.
- Ha bármely alkatrész sérült vagy hiányzik, kérjük, küldje vissza a terméket a vásárlás helyére.

A PERMETEZŐRÚD CSATLAKOZTATÁSA A SZABÁLYOZÓ FOGANTYÚHOZ

1. Csavarja fel a permetezőrúd zárósapkáját a szabályozó fogantyúra, és húzza meg erősen az óramutató járásával megegyező irányban (B ábra).
2. A permetezőrúd meghúzásával bizonyosodjon meg a megfelelő rögzítésről.

HASZNÁLAT

▲ FIGYELMEZTETÉS: Ügyeljen rá ne hogy a termékkel szerzett jártassága miatt óvatlanná váljon. Emlékezzon arra, hogy a másodperc töredéke alatt történő óvatlanság súlyos sérülést okozhat.

▲ FIGYELMEZTETÉS: Használja a biztonsági felszerelést. Keverés, töltés, permetezés és tisztítás közben védje szemét, bőrét és tüdejét. Ennek elmulasztása súlyos személyi sérülést és anyagi károkat okozhat.

▲ FIGYELMEZTETÉS: A súlyos személyi sérülések elkerülése érdekében a készülék szervizelése, tisztítása, tartozékok cseréje, a tartály feltöltése vagy ürítése előtt vegye ki az akkumulátort a készülékből.

▲ FIGYELMEZTETÉS: Ne használjon a termék gyártója által nem javasolt tartozékokat. A nem javasolt tartozékok használata súlyos személyi sérüléseket okozhat.

Minden használat előtt ellenőrizze a teljes terméket sérülések, hiányzó vagy laza alkatrészek, pl. csavarok, anyák, alátétek, sapkák stb. szempontjából. Biztonságosan húzzon meg minden rögzítőt és sapkát, és ne használja a terméket addig, amíg a sérült vagy hiányzó alkatrészeket ki nem cserélték.

RENDELTESSZERŰ HASZNÁLAT

A terméket az alább felsorolt célokra használhatja:

- Műtrágyák kijuttatása és növények öntözése.
- Gyomirtó szerek, növényvédő szerek és gombaölő szerek permetezése.

MEGJEGYZÉS: A terméket kizárólag kertészeti és mezőgazdasági felhasználásra tervezték.

MEGJEGYZÉS: A terméket csak az előírt célokra használja. Bármilyen más használat helytelen használatnak minősül.

⚠ FIGYELMEZTETÉS: A vegyszerek vagy oldatok nem megfelelő alkalmazása SÚLYOS SÉRÜLÉST vagy HALÁLT okozhat. Kövesse a vegyszer gyártójának biztonsági utasításait és a biztonsági adatlapon felsorolt irányelveket.

A TARTÁLY FELTÖLTÉSE (C ábra)

⚠ FIGYELMEZTETÉS: Mindig kövesse a vegyszer gyártójának a termék címkéjén feltüntetett használati, tisztítási és tárolási utasításait. Ne kombináljon vegyszereket. Minden használat után alaposan tisztítsa meg a tartályt a jelen kézikönyv "KARBANTARTÁS" című részében található utasítások szerint. A vegyszereket gyermekek számára elérhetetlen helyen kell tárolni. Ellenkező esetben súlyos sérülést okozhat.

⚠ FIGYELMEZTETÉS: A sérülések és az egyensúlyvesztés elkerülése érdekében ügyeljen arra, hogy a tartályba töltött folyadék mennyisége miatt ne haladjon meg a permetezőgép teljes súlya a 25 kg-ot, beleértve a gépet, a tartályban lévő folyadékot, valamint a használt szórófejet és akkumulátoregységet.

A permetező folyékony vegyszereknek olyan hígoknak kell lenniük, mint a víz. A sűrűbb folyadékok nem permetezhetők megfelelően. Ne töltse túl a tartályt.

1. Vegye le az akkumulátoregységet.
2. Csavarja le a tartállyal kapcsolatos óramutató járásával ellentétes irányban, és vegye le a tartályról.
3. Állítsa a permetező vizszintes felületre.
4. Töltse fel a tartályt a kívánt mennyiségű vízzel.
5. Mérje ki a folyékony vegyszer ajánlott mennyiségét.
6. Óvatosan öntse a folyékony vegyszert a tartályba.
7. Csavarja vissza a tartállyal kapcsolatos óramutató járásával ellentétes irányban, hogy jól van meghúzva.

A permetoldatokat elő lehet keverni és a permetezőgépbe önteni.

MEGJEGYZÉS: Ha mérőedényt használ a folyadék tárolására, használat után alaposan tisztítsa és öblítse ki a tartályt. A permetoldat előkeverése esetén öblítse ki a keveréshez használt tartályt.

MEGJEGYZÉS: Fontos, hogy a permetezőgépet minden használat után alaposan tisztítsa meg. Ha hosszabb ideig hagyja, hogy a folyadék az üres permetezőgépben maradjon, az a mozgó alkatrészek és a csatlakozók eltömődését okozhatja.

AZ AKKUMULÁTOREGYSÉG BERAKÁSA/ KIVÉTELE

Csak az A2 ábrán felsorolt EGO akkumulátoregységeket és töltőket használja.

További részletekért tekintse meg a megfelelő akkumulátoregységek és töltők kézikönyvét.

Az első használat előtt teljesen tölts fel.

1. Emelje fel az akkumulátortartó fedelét a fedél elülső részének megemelésével (D1 ábra).
2. **A behelyezéshez** illessze az akkumulátor vázát az akkumulátorban lévő szerelőnyíláshoz, és nyomja le az akkumulátoregységet, amíg kattantást nem hall (D1. ábra).
3. **A kivételhez** nyomja meg az akkumulátor kioldógombot, és húzza ki az akkumulátoregységet (D2 ábra).
4. Csukja be az akkumulátortartó fedelét.

⚠ FIGYELMEZTETÉS: Mindig ügyeljen a lába alatti területre, gyermekekre vagy kis állatokra, amikor megnyomja az akkumulátor-kioldó gombot. Súlyos sérülést okozhat, ha az akkumulátoregység kiesik. SOHA ne vegye ki az akkumulátoregységet magasan lévő helyzetben.

⚠ FIGYELMEZTETÉS: A művelet megkezdése előtt győződjön meg arról, hogy a permetezőgép zárja a helyére pattant, az akkumulátoregység rögzítve van a permetezőgéphez, és az akkumulátortartó fedele teljesen zárva van. Az akkumulátoregység biztonságos rögzítésének elmulasztása miatt az akkumulátoregység kieshet, ami súlyos személyi sérülést okozhat.

⚠ FIGYELMEZTETÉS: A súlyos személyi sérülések elkerülése érdekében a permetezőgép felemelésekor vagy szállításakor mindig vegye ki az akkumulátoregységet, és tartsa távol a kezét a szabályozó fogantyútól.

A HÁTI PERMETEZŐGÉP POZICIONÁLÁSA

⚠ FIGYELMEZTETÉS: Megfelelően öltözzön fel a sérülések kockázatának csökkentése érdekében, amikor a gépet használja. Ne viseljen laza ruházatot vagy ékszereket. Viseljen szemvédőt. Viseljen erős, hosszú szárú nadrágot, cipőt és kesztyűt. Ne viseljen rövidnadrágot, szandált, és ne járjon mezítáll.

A háti permetezőgép használata előtt győződjön meg arról, hogy a kezelő szemvédőt és megfelelő ruházatot visel, és képes a biztonságos és kiegyensúlyozott lábtartásra.

A tartó hámbéállítás

1. Dugja át a karjait a szijakon keresztül, hogy a lombfűvót a hátára helyezze.
2. Átmenetileg állítsa be a vállszíjakat kényelmes helyzetbe (E1 ábra), közben a könyöke kényelmesen legyen.
3. Pattintsa be a mellkasi csatot, és szükség esetén állítsa be a mellkasi heveder hosszát (E2 ábra).
4. Pattintsa be a derékcstatot, és állítsa be a derékpánt hosszát úgy, hogy a lombfűvó biztonságosan támaszkodjon a csípőjén (E3 és E4 ábra).

MEGJEGYZÉS: A lombfűvó ne legyen túl magasan a hátán; legyen közelebb a csípőjéhez, mint a vállához.

FIGYELMEZTETÉS: Vész helyzet esetén azonnal engedje ki a mellkasi és a derékcstatokat, hogy mindkét oldalon levegye a lombfűvó hevederét. Ez egy gyors kioldási módszer.

5. Úgy állítsa be a vállszíjakat, hogy biztonságosak és kényelmesek legyenek. Gondoskodjon arról, hogy a háti permetezőgép biztonságosan legyen a hátán, a súlyt a szíjak megtartsák, és mozgás közben ne keljen miattuk felesleges mozgást végezni (E5 ábra).
6. A felesleges szíjat tekerje a derekán a két oldalán lévő gumiszalagba (E6 ábra).
7. A hátára helyezett permetezőgép levételéhez csak nyomja meg a derék- és mellkasi csatokat a kioldásukhoz, és tegye le a permetezőgépet (E7 ábra).

A PERMETEZŐGÉP ELINDÍTÁSA/LEÁLLÍTÁSA (F ÁBRA)

Sebesség tárcsa

1. Az áramlási sebesség növeléséhez forgassa a sebességtárcsát az óramutató járásával megegyező irányba.

F-1	Sebesség tárcsa	F-3	Be-/kikapcsoló
F-2	Reteszelő kar		

2. Az áramlási sebesség csökkentéséhez forgassa a sebességtárcsát az óramutató járásával ellentétes irányba.
3. A permetezőgép leáll, ha a tárcsát folyamatosan a

„OFF” állásba fordítja.

FIGYELMEZTETÉS: A véletlen indítás megakadályozása érdekében fordítsa a sebességtárcsát kikapcsolt állásba (a tárcsán lévő piros pont a permetezőrúd felé mutat).

FIGYELMEZTETÉS: Mielőtt a gépet tárolja, hosszabb időre elhagyja vagy kicseréli az akkumulátort, mindig fordítsa a sebességtárcsát kikapcsolt állásba (a tárcsán lévő piros pont a permetezőrúd felé mutat).

Be-/kikapcsoló

1. A permetezőgép bekapcsolásához nyomja meg a be-/kikapcsológombot.
2. Az áramlás leállításához engedje el a kapcsolót.

Reteszelő kar

A reteszelő kar kényelmes, ha hosszabb ideig permetez, vagy ha nagy területet kezel.

1. A be-/kikapcsoló reteszeléséhez nyomja meg a reteszelő kart, miután lenyomta a kapcsolót.
2. A be-/kikapcsoló kioldásához húzza meg a reteszelő kart.

MEGJEGYZÉS: Győződjön meg róla, hogy a kapcsoló nincs reteszelve, mielőtt az akkumulátoregységet behelyezné a permetezőgépbe.

A SZÓRÓFEJEK BEÁLLÍTÁSA ÉS CSERÉJE

FIGYELMEZTETÉS: A súlyos személyi sérülések elkerülése érdekében a szórófejek beállítása vagy cseréje előtt vegye ki az akkumulátoregységet.

A permetezőgép négy szórófejet tartalmaz: Állítható szórófej, ventilátoros szórófej, esőztető szórófej és habosító szórófej. A munka megkezdése előtt cserélje ki a szórófejet az adott feladatnak megfelelően.

Állítható szórófej (G1 ábra): Virágágások, járdák, felhajtók, teraszok, valamint fák és bokrok körüli területek permetezése. Kerítések, felhajtók és járdák melletti szegélyek kezelése. Bozótirtás.

Ventilátoros szórófej (G3 ábra): Lapos permetezés nagyon széles lefedettséghez és nagyobb viszkozitású folyadékoknál. Nagy területek előkészítése ültetésre.

G-1	Ventilátoros szórófej	G-3	Habosító szórófej
G-2	Esőztető szórófej		

Esőztető szórófej (G3 ábra): Nagyobb vízhozamot bocsát

ki a növények öntözéséhez és kezeléséhez.

Habosító szórófej (G3 ábra): Láthatóan megjelöli a kezelt gyomokat. Gyomnövények permetezése a gyepen, virágágyások, fák és bokrok körül. Kerítések, felhajtók és járdák melletti szegélyek kezelése.

Az állítható szórófej a sugár és a permetezés között állítható (G1 ábra).

1. Forgassa el a szórófej bordázott (texturált) részét az óramutató járásával ellentétes irányba az áramláshoz.
2. A szórófej bordázott (texturált) részét a permetezéshez forgassa el az óramutató járásával megegyező irányba.

A szórófej eltávolításához és cseréjéhez csavarja ki az egész szórófejet az óramutató járásával ellentétes irányban (G2 ábra).

A permetezőgéphez tartozó különböző szórófejek áramlási sebessége:

	Névleges áramlási sebesség (l/perc)	Maximális üzemi nyomás (l/perc)	Optimális üzemi nyomás (l/perc)
Állítható szórófej	2,3	2,7	2,4
Ventilátoros szórófej	2,3	2,7	2,4
Esőztető szórófej	2,3	2,9	2,7
Habosító szórófej	2,3	2,7	2,4

HÁZI ÉS KERTÉSZETI VEGYSZEREK PERMETEZÉSE (H ábra)

⚠ FIGYELMEZTETÉS: Soha ne irányítsa a rúd szórófejét magára vagy másokra.

⚠ FIGYELMEZTETÉS: Soha ne dohányozzon, ne egyen vagy igyon a permetezőgép használata közben.

⚠ FIGYELMEZTETÉS: Soha ne permetezzen emberek vagy állatok irányába; mindig széllal szemben permetezzen.

⚠ FIGYELMEZTETÉS: Tűz- vagy robbanásveszély. A permetezési területet jól kell szellőztetni, és távol kell tartani a szikrától vagy lángtól.

1. Helyezze be az akkumulátoregységet.
2. Forgassa el a sebességtárcsát a kívánt áramlási sebesség beállításához.
3. A permetezőgép szórófejét közvetlenül a permetezni kívánt növényekre vagy tárgyakra irányítsa.

MEGJEGYZÉS: Ügyeljen arra, hogy elég messze álljon a permetezett tárgytól, hogy a permet ne fröccsenjen vissza Önre.

4. A permetezőgép indításához nyomja meg a kapcsolót.
5. A permetezőgép leállításához engedje el a kapcsolót.
6. Minden használat után mindig ürítse ki és tisztítsa meg a tartályt a „Karbantartás” fejezetben leírtak szerint.

MŰKÖDTETÉSI TANÁCSOK

- Állítsa be a heveder vállpántjait úgy, hogy a permetezőgép a dereka fölött üljön, és a tartály szorosán a hátához simuljon.
- Kerülje a permetezést szeles napokon. A permetet véletlenül olyan növényekre vagy tárgyakra fújhatja, amelyeket nem szabad permetezni.
- Kora reggel vagy késő délután permetezzen, különösen melegebb időben. A túlzott hő elpárolgathatja a permetet, mielőtt az leülepedne.

HU

KARBANTARTÁS

⚠ FIGYELMEZTETÉS: Szervizeléskor csak azonos cserealkatrészeket használjon. Bármilyen más alkatrész használata veszélyt okozhat, vagy megrongálhatja a terméket. A biztonságosság és megbízhatóság biztosítása érdekében minden javítást szakképzett szerviztechnikusnak kell elvégeznie.

⚠ FIGYELMEZTETÉS: A súlyos személyi sérülések elkerülése érdekében a szervizelés, tisztítás, szórófejek cseréje, bármilyen karbantartás elvégzése előtt, illetve ha a permetezőt nem használja, vegye ki az akkumulátoregységet a permetezőből. Az akkumulátorral működtetett permetezőgép mindig be van kapcsolva, ha az akkumulátor be van helyezve, és bármikor elindulhat véletlenszerűen.

ÁLTALÁNOS KARBANTARTÁS

A permetezőgép minden szervizelését, a jelen karbantartási utasításban felsoroltakon kívül, szakképzett szerviztechnikusnak kell elvégeznie.

TISZTÍTÁS

A műanyag alkatrészek tisztításához ne használjon oldószereket. A legtöbb műanyag különböző vegyi oldószerek hatására károsodik, ezek megrongálhatják őket. Használjon tiszta ruhát a szennyeződés, por, olaj, zsír, stb. eltávolításához.

▲ FIGYELMEZTETÉS: Fékolaj, benzin, petróleum alapú termékek, behatoló olajok stb. soha ne érintkezzenek a műanyag alkatrészekkel. A vegyszerek megrongálhatják, gyengíthetik vagy megsemmisíthetik a műanyagot, ami súlyos személyi sérülést okozhat.

▲ FIGYELMEZTETÉS: A szórófej tisztításakor NE merítse azt vízbe vagy más folyadékba.

▲ FIGYELMEZTETÉS: A vegyszereket mindig megfelelően tárolja és ártalmatlanítsa. A szennyezett öblítővizet a helyi rendeleteknek és szabályzatoknak megfelelően kell ártalmatlanítani.

- Ha a permetezés után folyadék marad a tartályban, tisztítás előtt ürítse ki a tartályt.
- A tartály külső tisztításához mindig csak puha, száraz ruhát használjon; soha ne használjon mosószert vagy alkoholt.
- Töltse meg a tartályt körülbelül egyharmadig tiszta vízzel. Addig permetezzen, amíg a tartály ki nem ürül. Ügyeljen arra, hogy a permetet olyan területre irányítsa, amit nem károsít a permetoldat.
- Töltse fel újra, és ismételje meg az eljárást tiszta vízzel. Előfordulhat, hogy a tartály többször is ki kell öblíteni, majd a fenti utasítás szerint ismét le kell üríteni.
- Hagyja az összes darabot teljesen megszáradni, mielőtt újra összeszerelné és tárolná a készüléket.

SZÓRÓFEJ KARBANTARTÁSA

▲ FIGYELMEZTETÉS: A vízvívárgás megelőzése érdekében gondoskodjon róla, hogy valamennyi szórófej karbantartása megfelelően legyen elvégezve. A vízvívárgás csúszós felületet eredményezhet, ami csúszás- és esésveszélyt, vagy anyagi károkat okozhat.

A szabálytalan permetminták vagy a vízvívárgás az eltömődött vagy szennyezett fúvóka következménye lehet.

1. Kapcsolja ki a permetezőgépet, és vegye ki az akkumulátoregységet.
2. **Az állítható szórófej tisztítása (I1 ábra):**
 - a. Csavarja le és távolítsa el az állítható szórófej bordázott (texturált) részét.

- b. Toljon be egy vékony drótot (nem tartozék) a keresztfuratokon keresztül, hogy eltávolítsa a törmeléket. Szükség esetén öblítse ki a keresztfuratokat és a fúvókát tiszta vízzel.
- c. Törölje át a fúvókát tiszta, száraz ruhával, és szerelje vissza a fúvókát.

3. A ventilátoros és a habosító szórófej tisztítása (I2. ábra):

- a. Csavarja ki és vegye le a szórófejet a permetezőőrúdról.
- b. Toljon be egy vékony drótot (nem tartozék) a furaton keresztül, hogy eltávolítsa a törmeléket. Szükség esetén öblítse át a szórófejet tiszta vízzel.
- c. Törölje át a fúvókát tiszta, száraz ruhával, és szerelje vissza a fúvókát.

SZÁLLÍTÁS ÉS TÁROLÁS (J ábra)

- Vegye le az akkumulátoregységet.
- Fordítsa a sebességtárcsát kikapcsolt állásba (a tárcsán lévő piros pont a permetezőőrúd felé mutat).
- Alaposan tisztítsa meg a permetezőgépet.
- Ürítse ki a tartályt, a tömlőt és a permetezőrudat.

MEGJEGYZÉS: A tárolás előtt, különösen a téliesítés előtt mindenképpen ürítse ki a tartályt, a tömlőt és a permetezőrudat, hogy megakadályozza a gép befagyását és károsodását, ami a téliesítés után sikertelen beindítást eredményezhet.

- Rögzítse a permetezőrudat a talpba és a tárolókapocsba.

J-1	Tárolókapocs	J-3	Hordozó fogantyú
J-2	Talp		

- Szállításkor a permetezőgépet a hordozó fogantyúnál fogva emelje fel, vagy a tartóheveder segítségével vigye.
- A permetezőgépet zárt, jól szellőző helyen tárolja.
- Tartsa távol maró hatású szerektől, például kerti vegyszerektől, és jégmentesítő sótól.

Környezetvédelem



Ne dobja az elektromos felszerelést, az elhasznált akkumulátort és a töltőt a háztartási hulladékok közé!

Vigye hivatalos újrahasznosító telephelyre, és tegye hozzáférhetővé a szelektív gyűjtéshez. Az elektromos eszközöket megfelelő környezetbarát újrahasznosító üzembe kell vinni.

HIBAELHÁRÍTÁS

PROBLÉMA	OK	MEGOLDÁS
A permetezőgép nem indul.	<ul style="list-style-type: none"> ■ Az akkumulátoregység nincs teljesen behelyezve az akkumulátortartóba. ■ Nincs elektromos kapcsolat a permetezőgép és az akkumulátoregység között. ■ Az akkumulátoregység lemerült. ■ Az akkumulátoregység vagy a permetező túl forró. 	<ul style="list-style-type: none"> ■ Ellenőrizze, hogy az akkumulátoregység teljesen be van-e helyezve az akkumulátortartóba. ■ Vegye ki az akkumulátoregységet, ellenőrizze a csatlakozásokat, és helyezze vissza az akkumulátoregységet. ■ Töltse fel az akkumulátoregységet. ■ Kapcsolja ki a permetezőgépet, és hagyja lehűlni az akkumulátort vagy a párástó ventilátort, amíg a hőmérséklet az ajánlott üzemi hőmérséklet tartományra nem csökken.
A motor működik, de a szórófejből nem jön ki permet.	<ul style="list-style-type: none"> ■ Alacsony folyadékszint a tartályban. ■ A szórófej működés közben eltömődött. 	<ul style="list-style-type: none"> ■ Ellenőrizze, hogy elegendő folyadék van-e a tartályban. ■ Tisztítsa meg a szórófeje(ke)t a „SZÓRÓFEJ KARBANTARTÁSA” fejezet szerint, és szerelje vissza őket az utasításoknak megfelelően.
Folyadék szivárog a szabályozó fogantyú és a rúd között.	<ul style="list-style-type: none"> ■ A rúd zárósapkája meglazult. 	<ul style="list-style-type: none"> ■ Húzza meg a zárósapkát.
Folyadék szivárog a permetezőrúd és a szórófej között.	<ul style="list-style-type: none"> ■ A szórófej meglazult vagy rosszul van felszerelve. 	<ul style="list-style-type: none"> ■ Helyezze vissza a szórófejet helyesen és szorosan a „SZÓRÓFEJEK BEÁLLÍTÁSA ÉS CSERÉJE” című fejezet szerint.

HU

GARANCIA

EGO GARANCIÁLIS FELTÉTELEK

Kérjük, látogasson el az egopowerplus.eu oldalra, ahol megtalálja a részletes EGO garanciális feltételeket.

CITIȚI TOATE INSTRUCȚIUNILE!



CITIȚI MANUALUL DE INSTRUCȚIUNI

⚠️ AVERTISMENT: Pentru siguranța și fiabilitatea produsului, toate reparațiile trebuie efectuate de către un tehnician de service autorizat.

⚠️ AVERTISMENT: Asigurați-vă că ați citit și înțelegiți toate instrucțiunile privind siguranța din acest Manual de utilizare, inclusiv toate simbolurile de alertă privind siguranța precum "PERICOL", "AVERTISMENT" și "ATENȚIE" înainte de a utiliza această sculă. Nerespectarea tuturor instrucțiunilor enumerate mai jos poate duce la electrocutare, incendiu și/sau vătămări corporale grave.

PĂSTRAȚI TOATE AVERTISMENTE ȘI INSTRUCȚIUNILE PENTRU CONSULTARE ULTERIOARĂ.

SIMBOLURI PRIVIND SIGURANȚA

⚠️ AVERTISMENT: Exploatarea oricărui scule electrice se poate solda cu ricoșarea de obiecte străine în ochii dumneavoastră, ceea ce se poate solda cu vătămarea gravă a ochilor. Înainte de a începe să utilizați scula electrică, echipați-vă întotdeauna cu ochelari de protecție cu apărători laterale și vizieră pentru față, atunci când este nevoie. Vă recomandăm să purtați o vizieră lată de protecție peste ochelarii de vedere sau ochelari de protecție standard cu apărători laterale.



Alertă privind siguranța



Pentru a reduce riscul de vătămare, utilizatorul trebuie să citească și să înțeleagă manualul de instrucțiuni înainte de a utiliza acest produs.



Purtați îmbrăcăminte de protecție.



Țineți trecătorii la distanță în timpul pulverizării.



Purtați o mască facială de protecție.



Acest produs este în conformitate cu directivele europene aplicabile.



Nivel de putere acustică garantat. Emisii sonore în mediul înconjurător conform Directivei comunitare europene.



Acest produs este în conformitate cu legislația aplicabilă din Marea Britanie.



Deșeurile produselor electrice nu trebuie să fie eliminate împreună cu deșeurile menajere. Predați-le unui punct de reciclare autorizat.

IPX4

Protecție împotriva stropilor de apă



Curent continuu

./min

Pe minut

V

Tensiune

n_0

Turație de mers în gol

mm

Milimetru

AVERTISMENTE GENERALE DE SIGURANȚĂ

▲ AVERTISMENT: Citiți toate avertizările de siguranță, instrucțiunile, ilustrațiile și specificațiile livrate împreună cu această mașină. Nerespectarea tuturor instrucțiunilor enumerate mai jos se poate solda cu șoc electric, incendiu și/sau vătămare corporală gravă.

Păstrați toate avertizările și instrucțiunile pentru consultare ulterioară.

Termenul "mașină" din avertizări se referă la mașina dumneavoastră electrică (cu cablu) alimentată de la rețeaua electrică sau mașina (fără cablu de alimentare) care funcționează cu acumulator.

SIGURANȚA ZONEI DE LUCRU

- **Păstrați zona de lucru curată și bine iluminată.** Zonele dezordonate și întunecoase predispun la accidente.
- **Nu puneți în funcțiune mașini în atmosfere explozive, cum ar fi în prezența lichidelor, gazelor sau prafurilor inflamabile.** Mașinile creează scântei, care pot aprinde praful sau gazele.
- **Țineți copiii și persoanele prezente la distanță atunci când utilizați o mașină.** Distragerea atenției vă poate face să pierdeți controlul.

SIGURANȚA ELECTRICĂ

- **Ștecherile mașinilor trebuie să corespundă cu priza electrică. Nu modificați niciodată ștecherul în vreun fel. Nu utilizați ștechere adaptoare de priză cu mașinile echipate cu împământare.** Ștecherile nemodificate și prizele adecvate vor reduce riscul de electrocutare.
- **Evitați contactul corpului cu suprafețele legate la împământare, cum sunt țevile, caloriferele, mașinile de gătit și frigidererele.** Există un risc crescut de șoc electric dacă corpul dumneavoastră este legat la pământ sau împământat.
- **Nu expuneți mașinile la ploaie sau la condiții de umezeală.** Apa care pătrunde în interiorul mașinii vă crește riscul de electrocutare.
- **Nu folosiți în mod abuziv cablul de alimentare. Nu utilizați niciodată cablul de alimentare pentru transportul, tragerea sau scoaterea din priză a mașinii. Țineți cablul departe de căldură, ulei, margini ascuțite sau piese în mișcare.** Cablurile electrice deteriorate sau încălțite cresc riscul de electrocutare.

- **Când utilizați o mașină în aer liber utilizați un cablu prelungitor adecvat pentru utilizarea în aer liber.** Utilizarea unui cablu adecvat pentru utilizare în aer liber reduce riscul de electrocutare.
- **Dacă utilizarea unei mașini într-o zonă umedă este inevitabilă, utilizați o sursă de alimentare protejată cu un întrerupător de protecție la curent rezidual (DCR).** Utilizarea unui astfel de întrerupător reduce riscul de electrocutare.

SIGURANȚA PERSONALĂ

- **Păstrați-vă vigilența, urmăriți ceea ce faceți și apelați la bunul simț când utilizați o mașină. Nu utilizați o mașină când sunteți obosit(ă), sau sub influența medicamentelor, a alcoolului ori a medicației.** Un moment de neatenție în timp ce utilizați mașini se poate solda cu vătămări grave.
- **Utilizați echipamente individuale de protecție. Purtați întotdeauna echipament de protecție oculară.** Echipamentele de protecție, cum ar fi masca de praf, bocancii de protecție antiderapanți, casca sau antifoanele utilizate în condiții corespunzătoare, vor reduce vătămrile corporale.
- **Preveniți pornirea accidentală. Asigurați-vă că întrerupătorul este în poziția oprit înainte de a conecta mașina la o sursă de alimentare și/sau set de acumulatori, înainte de a ridica sau de a transporta mașina.** Transportul mașinilor cu degetul pe întrerupător sau acționarea mașinilor alimentate electric, predispoaze la accidente.
- **Îndepărtați orice cheie de reglare sau cheie fixă înainte de a porni mașina.** O cheie lăsată într-o piesă rotativă a mașinii poate duce la vătămări.
- **Nu încercați să ajungeți în locuri inaccesibile. Păstrați-vă stabilitatea și echilibrul în orice moment.** Astfel veți avea un control mai bun asupra mașinii în situații neașteptate.
- **Îmbrăcați-vă corespunzător. Nu purtați haine largi sau bijuterii. Păstrați-vă părul și îmbrăcămintea departe de componentele în mișcare.** Îmbrăcămintea largă, bijuteriile sau părul lung se pot prinde în piesele în mișcare.
- **Dacă sunt furnizate dispozitive pentru conectarea sistemelor de extragere și colectare a prafului, asigurați-vă că acestea sunt conectate și utilizate corespunzător.** Utilizarea dispozitivelor de colectare a prafului poate reduce pericolele legate de praf.
- **Nu permiteți ca familiaritatea dobândită în urma utilizării frecvente a mașinilor să vă facă să neglijați sau să nesocotiți principiile de siguranță ale mașinii.** O operație neglijentă poate cauza vătămări

RO

grave într-o fracțiune de secundă.

UTILIZAREA ȘI ÎNGRIJIREA MAȘINII

- **Nu forțați mașina. Utilizați mașina potrivită pentru aplicația dumneavoastră.** Mașina corectă va face o treabă mai bună și mai sigură când este utilizată conform specificațiilor pentru care a fost concepută.
- **Nu utilizați mașina dacă întrerupătorul nu comută pe pozițiile pornit și oprit.** Orice mașină care nu poate fi controlată cu întrerupătorul este periculoasă și trebuie reparată.
- **Deconectați ștecherul de la sursa de alimentare și/sau scoateți setul de acumulatori, dacă este detașabil, de la mașină înainte de a efectua ajustări, de a schimba accesoriile sau de a depozita mașinile.** Astfel de măsuri preventive reduc riscul de pornire accidentală a mașinii.
- **Păstrați mașinile inactice într-un loc inaccesibil copiilor și nu permiteți persoanelor care nu sunt familiarizate cu mașina sau cu aceste instrucțiuni să opereze mașina.** Mașinile sunt periculoase în mâinile utilizatorilor neinstruiți.
- **Întrețineți mașina și accesoriile. Verificați dacă există abateri de la coaxialitate sau gripări ale pieselor în mișcare, avarii ale pieselor și orice altă situație care poate afecta funcționarea mașinii. Dacă este deteriorată, reparați mașina înainte de utilizare.** Multe accidente sunt cauzate de mașini prost întreținute.
- **Mențineți sculele de tăiere ascuțite și curate.** Sculele așchietoare întreținute corespunzător și cu muchii de tăiere ascuțite riscă mai puțin să se indoie și sunt mai ușor de controlat.
- **Utilizați mașina, accesoriile și burghiile de mașină etc. în conformitate cu aceste instrucțiuni, ținând cont de condițiile de lucru și lucrarea de efectuat.** Utilizarea mașinii pentru operații diferite de cele intenționate s-ar putea solda cu o situație periculoasă.
- **Mențineți mânerul și suprafețele de apucare uscate, curate și fără ulei și vaselină.** Mânerul și suprafețele de apucare alunecoase nu permit manevrarea în siguranță și controlul asupra mașinii în situații neașteptate.

UTILIZAREA ȘI ÎNGRIJIREA MAȘINILOR CU BATERIE

- **Reîncărcați numai cu încărcătorul specificat de producător.** Un încărcător adecvat pentru un tip de set de acumulatori poate prezenta risc de incendiu dacă este utilizat cu alt set de acumulatori.
- **Utilizați mașinile numai cu seturile de acumulatori**

special menționate. Utilizarea oricărui alt set de acumulatori prezintă risc de accidente și incendiu.

- **Când nu se utilizează setul de acumulatori, țineți-l departe de alte obiecte metalice precum clamele de hârtie, monedele, cheile, cuiele, șuruburile sau alte obiecte metalice mici care pot realiza o conexiune între borne.** Scurtcircuitarea bornelor bateriei poate produce arsuri sau un incendiu.
- **În condiții abuzive se poate scurge lichid din baterie; evitați contactul. Dacă are loc contactul accidental, clătiți cu apă. Dacă lichidul intră în contact cu ochii, efectuați suplimentar un consult medical.** Lichidul scurs din baterie poate produce iritări sau arsuri.
- **Nu utilizați un set de acumulatori sau o mașină deteriorată ori modificată.** Acumulatorii deteriorați sau modificați pot prezenta comportament imprevizibil, care poate duce la incendiu, explozie sau risc de vătămare.
- **Nu expuneți setul de acumulatori la foc sau mașina la temperaturi excesive.** Expunerea la foc sau la temperaturi de peste 130°C poate provoca explozie.
- **Respectați instrucțiunile de încărcare și nu încărcați setul de acumulatori sau mașina în afara intervalului de temperatură specificat în instrucțiuni.** Încărcarea necorespunzătoare sau la temperaturi în afara domeniului specificat poate duce la deteriorarea bateriei și la creșterea riscului de incendiu.

SERVICE

- **Duceți mașina electrică la depanat pentru a fi reparată de o persoană calificată utilizând numai piese de schimb identice.** Acest lucru va asigura menținerea siguranței mașinii.
- **Nu efectuați niciodată operații de service asupra seturilor de acumulatori deteriorați.** Depanarea acumulatorilor trebuie să fie efectuată numai de producător sau de prestatorii autorizați de servicii.

INSTRUCȚIUNI DE SIGURANȚĂ PENTRU PULVERIZATORUL FĂRĂ FIR

⚠ PERICOL: Risc de incendiu sau explozie. Nu pulverizați lichide inflamabile, cum ar fi benzina.

⚠ AVERTISMENT:

- **Pentru a evita rănilor, purtați întotdeauna protecție pentru ochi, respirație și piele.**
- **Pentru a evita electrocutarea, nu expuneți acest produs la ploaie.**

- **Numai pentru uz casnic și exterior.**
- **Nu pulverizați lichide inflamabile sau combustibile într-o zonă închisă.** Atunci când se pulverizează un lichid combustibil, există pericol de incendiu sau explozie, în special într-o zonă închisă.
- **Zona de pulverizare trebuie să fie bine ventilată.**
- **Nu fumați în timpul pulverizării și nu pulverizați în locuri în care sunt prezente scânteii sau flăcări.**
- **Înainte de a umple rezervorul, scoateți întotdeauna acumulatorul. Ștergeți orice scurgere înainte de a introduce acumulatorul.** Respectarea acestei reguli va reduce riscul de șoc electric și de pătrundere a lichidelor corozive în acumulator, ceea ce poate cauza defectarea acumulatorului, inclusiv scurtcircuitul, rezultând fum, incendiu și/sau vătămări corporale grave.
- **Nu permiteți pătrunderea fluidelor conductoare sau corozive în interiorul acumulatorului.** Dacă pe acumulator sunt vărsate lichide conductoare sau corozive, consultați instrucțiunile din manualul de utilizare al acumulatorului.
- **Înainte de a utiliza materiale de pulverizare în acest pulverizator, citiți cu atenție eticheta de pe recipientul original al materialului și urmați instrucțiunile acestuia.** Unele materiale de pulverizare sunt periculoase și nu trebuie utilizate în acest pulverizator, deoarece pot deteriora pulverizatorul și cauza vătămări corporale grave sau pagube materiale.
- **Cunoașteți conținutul produsului chimic pulverizat. Citiți toate fișele cu date de securitate (SDS) și etichetele recipientelor furnizate împreună cu produsul chimic.** Respectați instrucțiunile de siguranță ale producătorului produsului chimic.
- **Pericol de electrocutare.** Nu pulverizați niciodată în direcția prizelor electrice.
- **Nu turnați lichide fierbinți sau clocotitoare în rezervor.** Acestea pot slăbi sau deteriora tuburile sau rezervorul.
- **Evitați pulverizarea în zilele cu vânt.** Produsul pulverizat poate fi suflat accidental pe plante sau obiecte care nu ar trebui pulverizate.
- **Depozitați pulverizatorul într-un spațiu interior sigur, bine ventilat, cu rezervorul de lichid gol.**
- **Nu pulverizați înălbitor sau peroxid de hidrogen.**
- **Nu pulverizați substanțe chimice pe bază de alcool.**
- **Nu pulverizați pulberi sau substanțe chimice abrazive.**
- **Nu pulverizați lichide caustice (alcaline) sau cu auto-încălzire.**
- **Nu utilizați substanțe chimice periculoase pentru mediu care nu sunt permise în conformitate cu reglementările locale.**
- **Nu îndreptați duza pulverizatorului în direcția oamenilor sau a animalelor de companie.**
- **Nu permiteți copiilor, persoanelor cu capacități fizice, senzoriale sau mentale reduse ori lipsite de experiență și cunoștințe sau persoanelor nefamiliarizate cu aceste instrucțiuni să utilizeze mașina.**
- **Operatorul sau utilizatorul este responsabil de accidentele sau pericolele care se întâmplă altor persoane sau bunurilor acestora.**
- **Pulverizatorul trebuie utilizat numai cu produse de protecție a plantelor aprobate de autoritățile de reglementare locale/naționale pentru produsele de protecție a plantelor destinate utilizării cu pulverizatoare cu rucsac.**
- **Risc de injectare.** Nu folosiți direct pe piele. Păstrați toate părțile corpului în exterior față de jetului de pulverizare.
- **Nu lăsați reziduuri sau material de pulverizare în rezervor după utilizarea pulverizatorului.** Curățați după fiecare utilizare.
- **Pentru a reduce riscul de incendiu sau explozie, utilizați un lichid cu un punct de aprindere mai mare de 60°C.**
- **Pentru a reduce riscul de electrocutare, nu introduceți pulverizatorul în apă sau alt lichid. Nu așezați sau depozitați pulverizatorul într-un loc în care poate cădea sau fi tras într-o cadă sau chiuvetă.**
- **Întrețineți acest produs. Inspectați temeinic atât interiorul, cât și exteriorul pulverizatorului și examinați componentele înainte de fiecare utilizare. Verificați dacă rezervorul este crăpat și deteriorat, dacă există scurgeri, dacă duzele sunt înfundate și dacă lipsesc sau sunt deteriorate piese. Dacă este deteriorat, reparați produsul înainte de utilizare. Multe accidente sunt cauzate de produse prost întreținute.**
- **Puneți întrerupătorul de alimentare în poziția oprit atunci când pulverizatorul nu este utilizat și înainte de întreținere sau curățare.**
- **Deconectați bateria de la unitate înainte de golirea, curățarea sau depozitarea pulverizatorului.** Astfel de măsuri preventive de siguranță reduc riscul de pornire accidentală.
- **Purtați întotdeauna ochelari de protecție cu apărători laterale. Dacă nu faceți acest lucru, lichidele pot intra în**


ochii dumneavoastră, ceea ce poate duce la vătămări grave.

- **Protejați-vă plămânilor. Purtați echipament de siguranță aprobat, cum ar fi măști pentru față special concepute pentru a filtra spray-urile, mănuși și alte echipamente de protecție adecvate.** Respectând această regulă, veți reduce riscul de vătămare corporală gravă. Respectați instrucțiunile de siguranță ale producătorului produsului chimic și liniile directe enumerate pe fișa SDS.
- **Substanțele chimice și vaporii chimici pot fi periculoși și pot provoca vătămări grave, daune permanente sau deces dacă sunt ingerate, inhalate sau stropite în ochi sau pe piele.** Respectați instrucțiunile de siguranță ale producătorului produsului chimic și liniile directe enumerate pe fișa SDS.
- **Pentru reducerea riscului de accidentare, este necesară o supraveghere atentă când produsul este utilizat în apropierea copiilor.**
- **Nu atingeți piesele în mișcare.**
- **Utilizați numai accesoriile recomandate sau comercializate de producător.**
- **Preveniți pornirea accidentală. Asigurați-vă că întrerupătorul este în poziția oprit înainte de conectarea la acumulator, ridicarea sau transportarea dispozitivului.** Purtarea aparatului cu degetul pe comutator sau alimentarea cu energie a aparatului care are comutatorul pornit provoacă accidente.

RO

PĂSTRAȚI ACESTE INSTRUCȚIUNI

SPECIFICAȚII

Tensiune nominală	56 V 
Max. Capacitatea rezervorului	15L
Max. Presiunea de lucru	24 Bar
Max. Debit de pulverizare (cu duză reglabilă, mod de pulverizare)	2,3 L/min
Diametrul filtrului de admisie	35 mm
Dimensiunea ochiurilor filtrului de admisie	0,35 mm
Diametrul filtrului de ieșire	124 mm
Greutate (greutate uscată, fără acumulator)	7,6 kg
Temperatură de funcționare recomandată	5°C-40°C
Temperatură de depozitare recomandată	-20°C-70°C
Temperatura de încărcare recomandată	5°C-40°C

⚠ AVERTISMENT: Înainte de a utiliza un pulverizator cu rucsac, asigurați-vă că greutatea totală a acestuia, inclusiv mașina, lichidul din rezervor, duza și bateria utilizate, nu depășește 25 kg pentru a evita rănirea și pierderea echilibrului.

- Valoarea totală declarată a vibrațiilor a fost măsurată în conformitate cu o metodă standard de testare și poate fi utilizată pentru compararea sculelor între ele;
- Valoarea totală declarată poate fi utilizată în evaluarea preliminară a expunerii.

OBSERVAȚIE: Vibrațiile emise în timpul utilizării efective a sculei electrice pot diferi față de valoarea celor declarate pentru scula utilizată; Pentru protejarea operatorului, utilizatorul trebuie să poarte mănuși și protecții auditive în timpul utilizării efective a produsului.

LISTA COMPONENTELOR (FIG. A1)

DESCRIEREA

CUNOAȘTEȚI-VĂ PULVERIZATORUL (FIG. A1)

1. Furtun
2. Compartiment de acumulatori
3. Rezervor
4. Capac rezervor
5. Mâner de transport
6. Ham ajustabil de suport
7. Discul selector de viteză
8. Maneta de blocare
9. Declanșator ON/OFF
10. Mâner de control
11. Dop
12. Tijă de pulverizare
13. Duză reglabilă
14. Duză ventilator
15. Duză de spumare
16. Duză de duș

ASAMBLARE

⚠ AVERTISMENT: Dacă unele piese sunt deteriorate sau lipsesc, nu utilizați acest produs până la înlocuirea pieselor. Utilizarea acestui produs cu piese deteriorate sau lipsă s-ar putea solda cu vătămări grave.

⚠ AVERTISMENT: Nu încercați să modificați acest produs sau să creați accesorii nerecomandate pentru acest produs. Orice astfel de modificare sau schimbare reprezintă o utilizare necorespunzătoare și se poate solda cu condiții periculoase care pot conduce la posibile vătămări grave.

⚠ AVERTISMENT: Pentru a preveni pornirea accidentală care ar putea cauza vătămări corporale grave, scoateți întotdeauna acumulatorul din aparat atunci când asamblați piese, efectuați ajustări, curățați sau când produsul nu este utilizat.

- Acest produs necesită asamblare.
- Scoateți cu grijă produsul și orice accesorii din cutie. Asigurați-vă că sunt incluse toate articolele prezentate în "Lista de componente".
- Inspectați cu atenție produsul pentru a vă asigura că aceasta nu a suferit defecțiuni sau avarii pe durata transportului.
- Nu aruncați materialul de ambalare până când nu ați inspectat cu atenție și operat în mod satisfăcător

produsul.

- Dacă există piese deteriorate sau lipsă, vă rugăm să returnați produsul la locul de achiziție.

CONECTAREA TIJEI DE PULVERIZARE LA MÂNERUL DE CONTROL

1. Înșurubați capacul de capăt al tijei de pulverizare pe mânerul de control și strângeți bine în sensul acelor de ceasornic (Fig. B).
2. Trageți de tija de pulverizare pentru a vă asigura că este bine fixată.

FUNCȚIONARE

⚠ AVERTISMENT: Nu permiteți ca familiarizarea cu acest produs să vă determine să fiți neatent. Amintiți-vă că o fracțiune de secundă de neatenție este suficientă pentru a provoca vătămări grave.

⚠ AVERTISMENT: Utilizați echipamente de siguranță. Protejați-vă ochii, pielea și plămânii în timpul amestecării, umplerii, pulverizării și curățării. Nerespectarea acestui lucru poate duce la vătămări corporale grave și la deteriorarea proprietății.

⚠ AVERTISMENT: Pentru a preveni vătămări corporale grave, scoateți acumulatorul din aparat înainte de întreținere, curățare, schimbarea accesoriilor, umplerea sau golirea rezervorului.

⚠ AVERTISMENT: Nu utilizați nicio componentă sau accesoriu care nu a fost recomandat de producătorul acestui produs. Utilizarea de accesorii nerecomandate se poate solda cu vătămări grave.

Înainte de fiecare utilizări, inspectați întregul produs pentru depistarea defectelor, componentelor lipsă sau slăbite precum șuruburi, piulițe, bolțuri, capace etc. Strângeți bine toate elementele de prindere și capacele și nu utilizați acest produs dacă piesele lipsă sau defecte nu sunt înlocuite.

UTILIZAREA ÎN SCOPUL DESTINAT

Puteți utiliza acest produs în scopurile menționate mai jos:

- Aplicarea de îngreșăminte și udarea plantelor.
- Pulverizarea erbicidelor, pesticidelor și fungicidelor.

OBSERVAȚIE: Produsul este destinat exclusiv utilizării în horticultură și agricultură.

OBSERVAȚIE: Produsul trebuie utilizat numai pentru scopurile prescrise. Orice altă utilizare este considerată a fi caz de utilizare necorespunzătoare.

⚠️ AVERTISMENT: Aplicarea necorespunzătoare a substanțelor chimice sau a soluțiilor poate duce la RĂNIRI GRAVE sau DECES. Respectați instrucțiunile de siguranță ale producătorului produsului chimic și liniile directoare enumerate pe fișa SDS.

UMPLEREA REZERVORULUI (Fig. C)

⚠️ AVERTISMENT: Respectați întotdeauna instrucțiunile de utilizare, curățare și depozitare ale producătorului produsului chimic tipărite pe eticheta acestuia. Nu combinați substanțele chimice. Curățați bine rezervorul după fiecare utilizare, urmând instrucțiunile din secțiunea "ÎNTREȚINERE" din acest manual. Substanțele chimice nu trebuie depozitate la îndemâna copiilor. Nerespectarea acestei reguli poate duce la vătămări corporale grave.

⚠️ AVERTISMENT: Pentru a evita rănirea și pierderea echilibrului, asigurați-vă că cantitatea de lichid adăugată în rezervor nu face ca greutatea totală a pulverizatorului, inclusiv mașina, lichidul din rezervor și duza și bateria utilizate, să depășească 25 kg.

Produsele chimice lichide care urmează să fie pulverizate trebuie să fie la fel de subțiri ca apa. Lichidele mai groase nu se vor pulveriza corect. Nu umpleți rezervorul în exces.

1. Îndepărtați setul de acumulatori.
2. Deșurubați capacul rezervorului în sensul invers acelor de ceasornic și scoateți-l de pe rezervor.
3. Așezați pulverizatorul pe o suprafață plană.
4. Umpleți rezervorul cu cantitatea dorită de apă.
5. Măsurați cantitatea recomandată de produs chimic lichid.
6. Turnați cu grijă produsul chimic lichid în rezervor.
7. Înșurubați la loc capacul rezervorului pe pulverizator, asigurându-vă că este bine strâns.

Soluțiile de pulverizare pot fi preamestecate și turnate în pulverizator.

OBSERVAȚIE: Dacă utilizați un recipient de măsurare pentru a ține lichidul, asigurați-vă că curățați și clătiți bine recipientul după utilizare. Dacă se preamestecă soluția de pulverizare, clătiți recipientul utilizat pentru amestecare.

OBSERVAȚIE: Este important să curățați bine pulverizatorul după fiecare utilizare. Dacă lăsați lichidul să

rămână într-o instalație de pulverizare nefuncțională pentru o perioadă îndelungată de timp, este posibil ca piesele mobile și conectorii să se blocheze.

ATAȘAREA/DETAȘAREA SETULUI DE ACUMULATORI

Utilizați numai seturile de acumulatori EGO și încărcătoarele prezentate în Fig. A2.

Pentru mai multe detalii, consultați manualele corespunzătoare ale bateriilor și încărcătoarelor.

Încărcați acumulatorul complet înainte de prima utilizare.

1. Ridicați capacul compartimentului pentru baterii ridicând partea din față a capacului (Fig. D1).
2. **Pentru a atașa.** Aliniați nervurile de pe acumulator cu fantele de montare și apăsați în jos setul de acumulatori până la auzul unui "clic" (Fig. D1).
3. **Pentru a detașa,** apăsați butonul de detașare al setului de acumulatori și scoateți setul de acumulatori (Fig. D2).
4. Închideți capacul compartimentului bateriei.

⚠️ AVERTISMENT: Întotdeauna acordați atenție amplasamentului picioarelor dumneavoastră, a copiilor sau animalelor de companie când apăsați butonul de detașare al acumulatorului. În cazul căderii setului de acumulatori, pot rezulta răniri grave. Nu detașați NICIODATĂ setul de acumulatori când vă aflați la înălțime.

⚠️ AVERTISMENT: Asigurați-vă că zăvorul de pe pulverizator se fixează în poziție, acumulatorul este fixat pe pulverizator, iar capacul compartimentului acumulatorului este complet închis înainte de a începe operațiunea. Imposibilitatea de a plasa în siguranță acumulatorul ar putea duce la căderea acumulatorului, ceea ce ar duce la vătămări corporale grave.

⚠️ AVERTISMENT: Pentru a evita vătămările corporale grave, scoateți întotdeauna acumulatorul și țineți mâinile departe de mânerul de control atunci când ridicați sau transportați pulverizatorul.

POZIȚIONAREA PULVERIZATORULUI CU RUCSAC

⚠️ AVERTISMENT: Îmbrăcați-vă corespunzător pentru a reduce riscul de rănire atunci când folosiți acest produs. Nu purtați haine largi sau bijuterii. Purtați echipament de protecție oculară. Purtați pantaloni lungi rezistenți, cizme și mănuși. Nu purtați pantaloni scurți, sandale sau să stați desculț.

Înainte de a utiliza pulverizatorul cu rucsac, asigurați-vă că operatorul poartă echipament de protecție a ochilor și îmbrăcăminte adecvată și poate menține un picior sigur și echilibrat.

Pentru ajustarea harnașamentului de suport

1. Introduceți-vă brațele prin curelele hamului pentru a vă instala pulverizatorul pe spate.
2. Reglați temporar ambele curele de umăr în poziții confortabile (Fig. E1), asigurându-vă că, cotul vă este confortabil.
3. Prindeți catarama toracică și reglați lungimea curelei toracice dacă este necesar (Fig. E2).
4. Fixați catarama taliei și reglați lungimea curelei de talie, astfel încât rucsacul să fie susținut în siguranță de șolduri (Fig. E3 și E4).

NOTĂ: Rucsacul nu trebuie să stea prea sus pe spate; trebuie să fie poziționat mai aproape de șolduri decât de umeri.

AVERTISMENT: Când apare o urgență, eliberați imediat cataramele pieptului și taliei pentru a scoate cureaua rucsacului de pe fiecare parte. Aceasta este o metodă de eliberare rapidă.

5. Reglați chingile de umăr pentru siguranță și confort. Asigurați-vă că rucsacul se așează bine pe spate, cu greutatea susținută de cureaua de talie și fără mișcări excesive atunci când vă deplasați (Fig. E5).
6. Introduceți orice lungime suplimentară a curelei în jurul taliei în elasticul de pe ambele părți (Fig. E6).
7. Pentru a desprinde rucsacul de pe spate, apăsați cataramele de la talie și piept pentru a le elibera și coborâți pulverizatorul (Fig. E7).

PORNIREA/OPRIREA PULVERIZATORULUI (FIG. F)

Discul selector de viteză

1. Pentru a crește debitul, rotiți selectorul de viteză în sensul acelor de ceasornic.

F-1	Discul selector de viteză	F-3	Declanșare ON/OFF (pornire/oprire)
F-2	Maneta de blocare		

2. Pentru a reduce debitul, rotiți selectorul de viteză în sens invers acelor de ceasornic.
3. Pulverizatorul se va opri dacă continuați să rotiți cadranul în poziția "OFF".

AVERTISMENT: Pentru a preveni pornirea neintenționată, rotiți selectorul de viteză în poziția oprit (punctul roșu de pe selector este îndreptat spre tija de pulverizare).

AVERTISMENT: Înainte de a depozita mașina, de a o lăsa pentru o perioadă lungă de timp sau de a înlocui acumulatorul, rotiți întotdeauna selectorul de viteză în poziția oprit (punctul roșu de pe selector este îndreptat spre tija de pulverizare).

Declanșare ON/OFF (pornire/oprire)

1. Apăsați declanșatorul ON/OFF pentru a porni pulverizatorul.
2. Eliberați declanșatorul pentru a opri fluxul.

Maneta de blocare

Maneta de blocare este convenabilă atunci când pulverizați pentru o perioadă prelungită de timp sau când acoperiți o suprafață mare.

1. Pentru a bloca declanșatorul ON/OFF, apăsați maneta de blocare după apăsarea declanșatorului.
2. Pentru a elibera declanșatorul ON/OFF, trageți maneta de blocare.

OBSERVAȚIE: Asigurați-vă că declanșatorul nu este blocat înainte de a introduce bateria în pulverizator.

REGLAREA ȘI SCHIMBAREA DUZELOR

AVERTISMENT: Pentru a preveni vătămările corporale grave, scoateți acumulatorul înainte de reglarea sau schimbarea duzelor.

Pulverizatorul vine cu patru duze: Duză reglabilă, duză ventilator, duză duș și duză spumă. Schimbați duza înainte de a începe să lucrați pentru a o adapta la sarcina în cauză.

Duză reglabilă (Fig. G1): Pulverizarea punctuală a straturilor de flori, aleilor, aleilor de acces, teraselor și în jurul copacilor și arbuștilor. Borduri de-a lungul gardurilor, aleilor și aleilor pietonale. Perie ucigătoare.

Duză ventilator (Fig. G3): Pulverizare plată pentru acoperire foarte largă și lichide cu vâscozitate mai mare. Pregătirea suprafețelor mari pentru plantare.

G-1	Duză ventilator	G-3	Duză de spumare
G-2	Duză de duș		

Duză de duș (Fig. G3): Emite un debit mai mare de apă pentru udarea și tratarea plantelor.

Duză de spumare (Fig. G3): Marchează vizibil buruienile tratate. Pulverizarea punctuală a buruienilor în gazon, în jurul straturilor de flori, copacilor și arbuștilor. Borduri de-a lungul gardurilor, aleilor și aleilor pietonale.

Duza reglabilă poate fi reglată între jet și pulverizare (Fig. G1).

1. Rotiți partea zimțată (texturată) a duzei în sensul invers acelor de ceasornic pentru jet.
2. Rotiți partea zimțată (texturată) a duzei în sensul acelor de ceasornic pentru pulverizare.

Deșurbați întreaga duză în sensul invers acelor de ceasornic pentru a scoate și schimba duza (Fig. G2).

Debitul diferitelor duze furnizate cu pulverizatorul:

	Debit nominal (L/min)	Presiunea maximă de lucru (L/min)	Presiunea optimă de lucru (L/min)
Duză reglabilă	2,3	2,7	2,4
Duză ventilator	2,3	2,7	2,4
Duză de duș	2,3	2,9	2,7
Duză de spumare	2,3	2,7	2,4

PULVERIZAREA PRODUSELOR CHIMICE DE GĂDINĂ ȘI DE CASĂ (Fig. H)

AVERTISMENT: Nu îndreptați niciodată duza țijeți către dumneavoastră sau către alte persoane.

AVERTISMENT: Nu fumați, nu mâncați și nu beți niciodată în timp ce utilizați pulverizatorul.

AVERTISMENT: Nu pulverizați niciodată în direcția oamenilor sau a animalelor; pulverizați întotdeauna sub vânt.

AVERTISMENT: Risc de incendiu sau explozie. Zona de pulverizare trebuie să fie bine ventilată și departe de scântei sau flăcări.

1. Instalați setul de acumulatori.
2. Rotiți selectorul de viteză pentru a seta debitul dorit.
3. Orientați duza pulverizatorului direct către plantele sau

obiectele pe care doriți să le pulverizați.

NOTĂ: Asigurați-vă că stați suficient de departe de obiectul care este pulverizat pentru a împiedica pulverizarea să vă stropească înapoi.

4. Apăsăți trăgaciul pentru a porni pulverizatorul.
5. Eliberați declanșatorul pentru a opri pulverizatorul.
6. Întotdeauna goliți și curățați rezervorul după fiecare utilizare, conform indicațiilor din secțiunea "ÎNȚREȚINERE".

SFATURI PRIVIND UTILIZAREA

- Reglați curelele de umăr ale hamului, astfel încât pulverizatorul să stea deasupra taliei, iar rezervorul să fie aproape de spate.
- Evitați pulverizarea în zilele cu vânt. Produsul pulverizat poate fi suflat accidental pe plante sau obiecte care nu ar trebui pulverizate.
- Pulverizați dimineața devreme sau după-amiaza târziu, în special pe vreme caldă. Căldura excesivă poate evapora spray-ul înainte ca acesta să se depună.

ÎNȚREȚINEREA

AVERTISMENT: La depanare, utilizați numai piese de schimb identice. Utilizarea oricăror altor piese poate crea un pericol sau poate produce o deteriorare. Pentru siguranța și fiabilitatea produsului, toate reparațiile trebuie efectuate de către un tehnician de service autorizat.

AVERTISMENT: Pentru a evita vătămări corporale grave, scoateți acumulatorul din pulverizator înainte de reparații, curățare, schimbarea duzelor, efectuarea oricărei lucrări de întreținere sau atunci când pulverizatorul nu este utilizat. O sculă alimentată cu set de acumulatori instalat este întotdeauna pornită și poate porni accidental.

ÎNȚREȚINERE GENERALĂ

Toate lucrările de întreținere a pulverizatorului, altele decât cele enumerate în aceste instrucțiuni de întreținere, trebuie efectuate de un tehnician de service calificat.

CURĂȚARE

Evitați utilizarea solvenților când curățați piese din plastic. Majoritatea pieselor din plastic sunt susceptibile să se deterioreze de la diverse tipuri de solvenți comerciali și se pot defecta prin utilizarea acestora. Utilizați o lavetă curată pentru a îndepărta murdăria, praful, uleiul, vaselina etc.

AVERTISMENT: Nu permiteți niciodată lichidelor de

frână, benzinei, produselor petroliere, uleiurilor penetrante etc. să intre în contact cu piese din plastic. Substanțele chimice pot deteriora, pot slăbi sau pot distruge plasticul, ceea ce se poate solda cu vătămări grave.

⚠️ AVERTISMENT: Atunci când curățați pulverizatorul, NU îl scufundați în apă sau alte lichide.

⚠️ AVERTISMENT: Întotdeauna depozitați și eliminați substanțele chimice în mod corespunzător. Eliminarea apei de clătire contaminate trebuie efectuată în conformitate cu ordonanțele și regulamentele locale.

- Dacă rămâne lichid în rezervor după pulverizare, goliți rezervorul înainte de curățare.
- Utilizați întotdeauna doar o cârpă moale și uscată pentru a curăța exteriorul rezervorului; nu utilizați niciodată detergent sau alcool.
- Umpleți rezervorul cu aproximativ o treime de apă curată. Pulverizați până când rezervorul a fost golit. Asigurați-vă că direcționați pulverizarea către o zonă care nu va fi deteriorată de soluția de pulverizare.
- Reumpleți și repetați procedura cu apă curată. Este posibil să fie necesar să clătiți rezervorul de mai multe ori, apoi să îl goliți din nou conform instrucțiunilor de mai sus.
- Lăsați toate piesele să se usuce complet înainte de a reasambla și depozita unitatea.

ÎNȚREȚINEREA DUZEI

⚠️ AVERTISMENT: Asigurați-vă că toate întreținerea duzelor este efectuată în mod corespunzător pentru a preveni scurgerile de apă. Scurgerile pot duce la o suprafață alunecoasă, creând un pericol de alunecare și cădere sau poate cauza daune materiale.

Tiparele neregulate de pulverizare sau scurgerile pot fi rezultatul unei duze înfundate sau murdare.

1. Opiți ventilatorul și scoateți setul de acumulatori.
2. **Pentru a curăța duza reglabilă (Fig. I1):**
 - a. Deșurubați și îndepărtați partea zimțată (texturată) a duzei reglabile.
 - b. Împingeți un fir subțire (nu este inclus) prin orificiile transversale pentru a îndepărta orice resturi. Dacă este necesar, clătiți orificiile transversale și duza cu apă curată.
 - c. Ștergeți duza cu o cârpă curată și uscată și reinstalați duza.
3. **Pentru a curăța ventilatorul și duza de spumare (Fig. I2):**

- a. Deșurubați și scoateți duza de pe tija de pulverizare.
- b. Împingeți un fir subțire (nu este inclus) prin gaură pentru a îndepărta orice resturi. Dacă este necesar, clătiți duza cu apă curată.
- c. Ștergeți duza cu o cârpă curată și uscată și reinstalați duza.

TRANSPORT ȘI DEPOZITARE (Fig. L)

- Îndepărtați setul de acumulatori.
- Rotiți selectorul de viteză în poziția oprit (punctul roșu de pe selector este îndreptat spre tija de pulverizare).
- Curățați bine pulverizatorul.
- Goliți rezervorul, furtunul și tija de pulverizare.

OBSERVAȚIE: Înainte de depozitare, în special înainte de iernare, asigurați-vă că goliți rezervorul, furtunul și tija de pulverizare pentru a preveni înghețarea și deteriorarea mașinii, ceea ce va face ca aceasta să nu pornească după iernare.

- Fixați tija de pulverizare în bază și în clema de depozitare.

J-1	Clemei de depozitare	J-3	Mâner de transport
J-2	Bază		

- Ridicați pulverizatorul de mânerul de transport sau transportați-l folosind hamul de susținere atunci când îl transportați.
- Depozitați pulverizatorul în interior, într-un loc bine ventilat.
- Țineți-l la distanță de agenți corozivi, precum substanțele chimice de grădiniță și sărurile de dezghețare.

Protejarea mediului înconjurător



Nu eliminați echipamentul electric, bateria epuizată și încărcătorul de bateri împreună cu deșeurile menajere!

Predați acest produs unui punct de reciclare autorizat sau puneți-l la dispoziția colectării separate. Sculele electrice trebuie returnate unui centru de reciclare ecologic.

RO

DEPANAREA

PROBLEMĂ	CAUZĂ	SOLUȚIE
Pulverizatorul nu pornește.	<ul style="list-style-type: none"> ■ Pachetul de baterii nu este introdus complet în compartimentul bateriei. ■ Nu există contact electric între suflantă și acumulator. ■ Încărcarea acumulatorului este epuizată. ■ Setul de acumulatori sau pulverizatorul sunt prea fierbinți. 	<ul style="list-style-type: none"> ■ Verificați dacă pachetul de baterii este introdus complet în compartimentul bateriei. ■ Îndepărtați acumulatorul, verificați contactele și reinstalați acumulatorul. ■ Încărcați setul de acumulatori. ■ Oprii ventilatorul și lăsați acumulatorul sau pulverizatorul să se răcească până când temperatura scade la intervalul de temperatură de funcționare recomandat.
Motorul funcționează, dar nu iese niciun jet din duză.	<ul style="list-style-type: none"> ■ Nivel scăzut de lichid în rezervor. ■ Duza s-a înfundat în timpul funcționării. 	<ul style="list-style-type: none"> ■ Verificați și asigurați-vă că există suficient lichid în rezervor. ■ Curățați duza (duzele) conform capitolului "ÎNTREȚINEREA DUZEI" și reasamblați-le conform instrucțiunilor.
Se scurge lichid între mânerul de control și tija.	<ul style="list-style-type: none"> ■ Capacul de capăt al tije este slăbit. 	<ul style="list-style-type: none"> ■ Strângeți capacul de capăt.
Se scurge lichid între tija de pulverizare și duză.	<ul style="list-style-type: none"> ■ Duza este slăbită sau instalată incorect. 	<ul style="list-style-type: none"> ■ Reinstalați duza corect și strâns în conformitate cu capitolul "REGLAREA ȘI SCHIMBAREA DUZELOR".

RO

GARANȚIE

POLITICA PRIVIND GARANȚIA EGO

Vă rugăm să vizitați site-ul egopowerplus.eu pentru termenii și condițiile complete ale politicii de garanție EGO.

PREBERITE VSA NAVODILA!



PREBERITE UPORABNIŠKI PRIROČNIK

⚠ OPOZORILO: Za zagotovitev varnosti in zanesljivosti mora vsa popravila izvesti usposobljen servisni tehnik.

⚠ OPOZORILO: Poskrbite, da boste pred uporabo tega orodja prebrali in razumeli vsa varnostna navodila in v tem uporabniškem priročniku, vključno z vsemi varnostnimi opozorilnimi simboli, kot so »NEVARNOST«, »OPOZORILO« in »PREVIDNO«. Zaradi neupoštevanja spodaj navedenih navodil lahko pride do električnega udara, požara in/ali resnih telesnih poškodb.

VSA OPOZORILO IN NAVODILA SHRANITE ZA POZNEJŠO UPORABO.

VARNOSTNI SIMBOLI

⚠ OPOZORILO: Delovanje katerega koli električnega orodja lahko povzroči metanje tujkov v vaše oči, kar lahko povzroči resne poškodbe očesa. Pred začetkom dela z električnim orodjem vedno nosite zaščitna očala ali varnostna očala s stranskimi zaščitami in po potrebi tudi ščit za celoten obraz. Priporočamo vam uporabo varnostne maske Wide Vision Safety Mask za uporabo preko očal ali standardnih varnostnih očal s stransko zaščito.



Varnostno opozorilo



Za zmanjšanje nevarnosti telesnih poškodb je pomembno, da uporabnik pred uporabo tega izdelka prebere priročnik za uporabo in se z njim seznani.



Nosite zaščitna oblačila.



Med škropljenjem hranite navzoče stran.



Nosite ščitnik za obraz.



Ta izdelek je skladen z veljavnimi direktivami ES.



Zagotovljena raven zvočne moči. Emisije hrupa v okolico so v skladu z direktivo Evropske skupnosti.



Ta izdelek je skladen z veljavno zakonodajo VB.



Odpadnih električnih izdelkov ne odlagajte med gospodinjne odpadke. Odnosite jih v pooblaščen obrat za recikliranje.



Zaščita pred pljuski vode



Enosmerni tok



Na minuto



Napetost



Hitrost brez obremenitve



Milimeter

SL

SPLOŠNA VARNOSTNA OPOZORILA

▲ OPOZORILO: Preberite vsa varnostna opozorila, navodila, slike in tehnične podatke, ki so priloženi tej napravi. Zaradi neupoštevanja spodaj navedenih navodil lahko pride do električnega udara, požara in/ali hudih telesnih poškodb.

Vsa opozorila in navodila shranite za kasnejšo uporabo.

Izraz »stroj« v opozorilih se nanaša na stroj, ki ga poganja električni tok (žični), ali na baterijski (brežžični) stroj.

VARNOST DELOVNEGA OBMOČJA

- Delovno območje naj bo čisto in dobro osvetljeno. Na neurejenih ali temnih območjih se hitro zgodijo nesreče.
- Naprav ne upravljajte v eksplozivnih atmosferah, na primer ob prisotnosti vnetljivih tekočin, plinov ali prahu. Naprave ustvarjajo iskre, ki lahko povzročijo vžig prahu ali hlapov.
- Med uporabo naprave poskrbite, da otroci in mimoidoči ne bodo v bližini. Zaradi motenj lahko izgubite nadzor.

ELEKTRIČNA VARNOST

- Vtiči naprave se morajo prilegati vtičnicam. Vtiča nikoli ne smete spreminjati na kakršen koli način. Z ozemljenimi napravami ne uporabljajte nikakršnih adapterskih vtičev. Nespremenjeni vtiči in pripadajoče vtičnice bodo zmanjšali tveganje električnega udara.
- Izogibajte se telesnemu stiku z ozemljenimi površinami, kot so cevi, radiatorji, štedilniki in hladilniki. Če je vaše telo ozemljeno, obstaja povečano tveganje električnega udara.
- Naprav ne izpostavljajte dežju ali mokrim razmeram. Voda v napravi poveča tveganje električnega udara.
- Ne poškodujte električnega kabla. Kabla ne uporabljajte za nošenje, vlečenje ali odklop naprave. Kabel hranite stran od vročine, olja, ostrih robov ali premikajočih se delov. Poškodovani ali zapleteni kabli zvišujejo tveganje električnega udara.
- Med uporabo naprave na prostem uporabite podaljšek, ki je primeren za uporabo na prostem. Uporaba kabla, primernega za zunanjo uporabo, znižuje tveganje električnega udara.
- Če je uporaba naprave na vlažnem mestu neizogibna, uporabite napajanje, zaščiteno z napravo na diferenčni tok. Uporaba zaščitne naprave na diferenčni tok (RCD) bo zmanjšala nevarnost električnega udara.

OSEBNA VARNOST

- Med uporabo naprave bodite pozorni, spremljajte potek dela in uporabljajte zdrav razum. Naprave ne uporabljajte, kadar ste utrujeni oziroma pod vplivom drog, alkohola ali zdravil. Trenutek nepazljivosti med uporabo naprave lahko povzroči hude telesne poškodbe.
- Uporabljajte osebno varovalno opremo. Vedno nosite zaščito za oči. Če v določenih okoliščinah nosite ustrezno zaščitno opremo, kot so maska proti prahu, zaščitna obutev z nedrsečim podplatom, trdno pokrivalo glave in zaščita za sluh, zmanjšate možnost telesnih poškodb.
- Preprečite neželen zagon. Pred priklopom na vir napajanja in/ali priklopom baterijskega sklopa ter pred dvigovanjem ali nošenjem naprave se prepričajte, da je stikalo v položaju za izklop. Prenajanje naprav s prstom na stikalo ali vklop naprav, pri katerih je stikalo v položaju za vklop, povzroči tveganje za nesreče.
- Pred vklopom naprave odstranite morebitne nastavitvene ali viličaste ključe. Viličasti ali drug ključ, ki je pritrjen na vrtljivi del naprave, lahko povzroči telesne poškodbe.
- Ne stegujte se preveč. Pazite, da ves čas stojite stabilno in ohranjate ravnotežje. To omogoča boljši nadzor nad napravo v nepričakovanih situacijah.
- Bodite primerno oblečeni. Ne nosite ohlapnih oblačil ali nakita. Pazite, da lasje in oblačila ne pridejo v bližino gibljivih delov. Ohlapna oblačila, nakit ali dolgi lasje se lahko zapletejo v gibljive dele.
- Če imate na voljo naprave za sesanje in zbiranje prahu, preverite, ali so priključene in ali se ustrezno uporabljajo. Uporaba naprav za zbiranje prahu lahko zmanjša nevarnosti, povezane s prahom.
- Čeprav dobro poznate napravo zaradi pogoste uporabe, ne postanite brezbrizni in ne prezrite varnostnih načel naprave. Nepazljivost pri uporabi lahko povzroči hude telesne poškodbe v delcu sekunde.

UPORABA IN NEGA STROJA

- Naprave orodja ne preobremenjujte. Uporabite napravo, ki je primerno za vaše delo. Ustrezna naprava bo nalogo opravila bolje in varneje pri zmogljivosti, za katero je bila zasnovana.
- Naprave ne uporabljajte, če je ni mogoče vklopiti in izklopiti s stikalom. Naprava, ki je ni mogoče upravljati s stikalom, je nevarna in jo je treba popraviti.
- Pred kakršnimi koli nastavitvami, menjavo dodatne opreme ali shranjevanjem stroja izključite vtič iz

vira napajanja in/ali iz naprave odstranite baterijski sklop, če ga je mogoče odstraniti. Taki preventivni varnostni ukrepi zmanjšujejo tveganje nenamerne zagona naprave.

- Neaktivne naprave shranjujte zunaj dosega otrok in osebam, ki niso seznanjene z napravo ali s temi navodili, preprečite upravljanje naprave. Naprave so v rokah neusposobljenih uporabnikov nevarni.
- Poskrbite za vzdrževanje naprave in dodatne opreme. Preverite, ali so gibljivi deli nepravilno poravnani ali povezani, ali so deli polomljeni oziroma obstaja kakršno koli drugo stanje, ki bi lahko vplivalo na delovanje naprave. Če je naprava poškodovana, jo pred uporabo popravite. Veliko nesreč je posledica slabo vzdrževanih naprav.
- Rezalna orodja naj bodo vedno nabrušena in čista. Pravilno vzdrževana rezalna orodja z ostrimi rezili se težje zaskočijo in jih je lažje nadzirati.
- Napravo, dodatno opremo, dele naprave itd. uporabljajte v skladu s temi navodili, pri tem pa upoštevajte delovne pogoje in delo, ki ga boste opravljali. Če boste napravo uporabljali za postopke, ki niso predvideni, lahko pride do nevarnih situacij.
- Ročaji in prijemalne površine naj bodo suhe, čiste in brez madežev olja ali masti. Drseči ročaji in prijemalne površine ne omogočajo varne uporabe in upravljanja naprave v nepričakovanih situacijah.

UPORABA IN NEGA BATERIJSKIH NAPRAV

- Baterijo polnite le s polnilnikom, ki ga določa proizvajalec. Polnilnik, ki je primeren za eno vrsto baterijskih sklopov, morda lahko povzroči nevarnost požara, če z njim polnite drugo vrsto baterijskih sklopov.
- Naprave uporabljajte samo s predpisano vrsto baterijskih sklopov. Uporaba katerih koli drugih baterijskih sklopov lahko povzroči tveganje za telesne poškodbe in požar.
- Ko akumulatorski sklop ni v uporabi, ga hranite ločeno od drugih kovinskih predmetov, kot so sponke za papir, kovanci, ključiči, žebliji, vijaki ali drugi majhni kovinski predmeti, ki lahko povzročijo stik med enim in drugim kontaktom. Kratek stik zaradi povezanih kontaktov baterije lahko povzroči opekline ali požar.
- Ob zlorabi baterije lahko iz nje brizgne tekočina, stik s katero preprečite. Če se nehote dotaknete tekočine, mesto stika sperite z vodo. Če pride tekočina v stik z očmi, poleg tega poiščite zdravstveno pomoč. Tekočina, ki brizgne iz baterije, lahko povzroči draženje ali opekline.
- Ne uporabljajte poškodovanega ali spremenjenega

baterijskega sklopa ali naprave. Poškodovane ali spremenjene baterije se lahko nepredvidljivo vedejo, kar lahko povzroči požar, eksplozijo ali tveganje telesnih poškodb.

- Baterijskega sklopa ali naprave ne izpostavljajte ognju ali previsokim temperaturam. Izpostavljenost ognju ali temperaturam nad 130 °C lahko povzroči eksplozijo.
- Upoštevajte vsa navodila za polnjenje in baterijskega sklopa ali naprave ne polnite zunaj temperaturnega razpona, navedenega v navodilih. Zaradi nepravilnega polnjenja ali temperature zunaj navedenega razpona lahko pride do poškodb baterije in povečanega tveganja za požar.

SERVIS

- Napravo naj servisira usposobljen serviser, ki uporablja samo enake nadomestne dele. To bo zagotovilo ohranjanje varnosti naprave.
- Nikoli ne popravljajte poškodovanih baterijskih sklopov. Baterijske sklope lahko popravi le proizvajalec ali pooblaščen izvajalec servisiranja.

VARNOSTNA NAVODILA ZA BREŽIČNO ŠKROPILNICO

⚠ NEVARNOST: Nevarnost požara ali eksplozije. Ne pršite vnetljivih tekočin, kot je bencin.

⚠ OPOZORILO:

- Da bi se izognili poškodbam, vedno nosite zaščito za oči, dihanje in kožo.
- Da bi zmanjšali tveganje električnega udara, izdelka ne izpostavljajte dežju.
- Samo za gospodinjstvo in zunanjo uporabo.
- Ne pršite vnetljivih ali gorljivih tekočin v zaprtem prostoru. Pri razprševanju gorljive tekočine obstaja nevarnost požara ali eksplozije, zlasti v zaprtem prostoru.
- Območja pršenja morajo biti dobro prezračevana.
- Med škropljenjem ne kadite ali pršite tam, kjer so prisotne iskre ali plamen.
- Pred polnjenjem rezervoarja vedno odstranite baterijo. Pred vstavljanjem baterije obrišite morebitno razlitje. Upoštevanje tega pravila bo zmanjšalo tveganje električnega udara in vdora korozivnih tekočin v baterijo, kar lahko povzroči okvaro baterije, vključno s kratkim stikom, kar povzroči dim,

SL

požar in/ali resne telesne poškodbe.

- **Ne dovolite, da prevodne ali jedke tekočine pridejo v baterijo.** Če se na baterijo razlijejo prevodne ali jedke tekočine, glejte navodila v priročniku za uporabo baterije.
- **Pred uporabo razpršilnih materialov v tej škropilnici temeljito preberite nalepko na originalni posodi materiala in sledite njenim navodilom.** Nekateri razpršilni materiali so nevarni in jih ne smete uporabljati v tej škropilnici, saj lahko poškodujejo škropilnico in povzročijo resne telesne poškodbe ali materialno škodo.
- **Seznajte se z vsebino kemikalije, ki jo pršite.** Preberite vsa varnostna opozorila in nalepke na posodah, ki so priložene kemikaliji. Upoštevajte varnostna navodila proizvajalca kemikalij.
- **Nevarnost električnega udara.** Nikoli ne pršite proti električnim vtičnicam.
- **V rezervoar ne nalijte vročih ali vrelih tekočin.** Te lahko oslabijo ali poškodujejo cevi ali rezervoar.
- **Izogibajte se škropljenju v vetrovnih dneh.** Pršenje lahko po nesreči odpihne na rastline ali predmete, ki jih ne smete škropiti.
- **Škropilnico shranjujte v varnem, dobro prezračevanem notranjem prostoru s praznim rezervoarjem za tekočino.**
- **Ne pršite belila ali vodikovega peroksida.**
- **Ne pršite kemikalij na osnovi alkohola.**
- **Ne pršite praškov ali abrazivnih kemikalij.**
- **Ne pršite kavstičnih (alkalijskih) ali samosegreválnih tekočin.**
- **Ne uporabljajte okolju nevarnih kemikalij, ki niso dovoljene, kot je določeno v lokalnih predpisih.**
- **Šobe škropilnice ne usmerjajte v smeri ljudi ali hišnih ljubljencev.**
- **Naprave naj nikoli ne upravljajo otroci, osebe z zmanjšanimi fizičnimi, senzornimi ali mentalnimi sposobnostmi ali osebe s premalo izkušnjami in znanja oziroma osebe, ki niso seznanjene s temi navodili.**
- **Upravljevec oziroma uporabnik je odgovoren za nesreče in tveganja za druge ljudi in lastnino.**
- **Škropilnica se uporablja samo s fitofarmaceutskimi sredstvi, ki so jih odobrili lokalni/nacionalni regulativni organi za fitofarmaceutska sredstva za uporabo s škropilnicami za nahrbtnike.**
- **Tveganje za injiciranje.** Ne izpraznite neposredno na kožo. Vsi deli telesa naj bodo izven vzorca škropljenja.
- **Po uporabi škropilnice ne puščajte ostankov ali**

razpršilnega materiala v rezervoarju. Očistite po vsaki uporabi.

- **Da bi zmanjšali tveganje požara ali eksplozije, uporabite tekočino s plameniščem nad 60 °C.**
- **Da bi zmanjšali tveganje električnega udara, škropilnice ne dajajte v vodo ali drugo tekočino.** Škropilnice ne postavljajte ali shranjujte tam, kjer lahko pade ali jo potegneta v kad ali umivalnik.
- **Vzdržujte ta izdelek.** Pred vsako uporabo temeljito pregledajte notranjost in zunanost škropilnice ter pregledajte komponente. Preverite, ali je rezervoar razpokan, poškodovan, če pušča, če so zamašene šobe in če kateri deli manjkajo ali so poškodovani. Če je izdelek poškodovan, ga pred uporabo popravite. Veliko nesreč povzročijo slabo vzdrževani izdelki.
- **Stikalo za vklop obrnite v izklopljen položaj, ko škropilnice ne uporabljate in pred servisiranjem ali čiščenjem.**
- **Pred praznjenjem, čiščenjem ali shranjevanjem škropilnice odklopite baterijo iz naprave.** Takšni preventivni varnostni ukrepi zmanjšujejo tveganje nenamernega zagona.
- **Vedno nosite zaščito za oči s stranskimi ščitniki ali očali.** Če tega ne storite, lahko tekočina vstopi v oči, kar lahko povzroči resne poškodbe.
- **Zaščitite pljuča.** Nosite odobreno varnostno opremo, kot so obrazne maske, ki so posebej zasnovane za filtriranje razpršil, rokavice in druga ustrezna zaščitna oprema. Z upoštevanjem tega nasveta zmanjšate nevarnost telesnih poškodb. Upoštevajte varnostna navodila in smernice proizvajalca kemikalij, ki so navedene na varnostnem seznamu.
- **Kemikalije in kemični hlapi so lahko nevarni in povzročijo resne poškodbe, trajne poškodbe ali smrt pri zaužitju, vdihavanju ali brizganju v oči ali na kožo.** Upoštevajte varnostna navodila in smernice proizvajalca kemikalij, ki so navedene na varnostnem seznamu.
- **Da bi zmanjšali tveganje poškodb, je potreben natančen nadzor, kadar se škropilnica uporablja v bližini otrok.**
- **Ne dotikajte se gibljivih delov.**
- **Uporabljajte le priključke, ki jih priporoča oz. prodaja proizvajalec.**
- **Preprečite neželen zagon.** Prepričajte se, da je stikalo v izklopljenem položaju, preden priključite baterijo, dvignite ali prenesete napravo. Prenašanje naprave s prstom na stikalo ali napajanje naprav, ki imajo vklopljeno stikalo, lahko povzroči nesreče.

TA NAVODILA SHRANITE

TEHNIČNI PODATKI

Nazivna napetost	56 V
Maks. Prostornina rezervoarja	15L
Maks. Delovni tlak	24 barov
Maks. Hitrost pretoka škropljenja (z nastavljivo šobo, način pršenja)	2,3 l/min
Premer vstopnega filtra	35 mm
Velikost mrežice vstopnega filtra	0,35 mm
Premer izhodnega filtra	124 mm
Teža (suha teža, brez baterije)	7,6 kg
Priporočena obratovalna temperatura	Od 5 °C do 40 °C
Priporočena temperatura za shranjevanje	Od -20 °C do 70 °C
Priporočena temperatura polnjenja	Od 5 °C do 40 °C

⚠ OPOZORILO: Pred uporabo nahrbtnne škroplilnice se prepričajte, da njegova skupna teža, vključno z napravo, tekočino v rezervoarju ter uporabljeno šobo in baterijo, ne presega 25 kg, da se izognete poškodbam in izgubi ravnotežja.

- Nazivna skupna vrednost treslajev je bila izmerjena v skladu s standardno preskusno metodo in jo je mogoče uporabiti za primerjavo enega orodja z drugim;
- Nazivno skupno vrednost treslajev je mogoče uporabiti tudi za predhodno oceno izpostavljenosti.

POZOR: Oddajanje treslajev med dejansko uporabo električnega orodja se lahko razlikuje od nazivne vrednosti, v kateri se uporablja orodje. Upravljalavec se lahko zaščiti tako, da uporablja rokavice in naušnike, primerne dejanskim pogojem uporabe.

VSEBINA PAKETA (SL. A1)

OPIS

SPOZNAJTE SVOJO ŠKROPILNICO (SL. A1)

1. Cev
2. Prostor za baterijo
3. Rezervoar
4. Pokrovček rezervoarja
5. Nosilni ročaj
6. Nastavljiv podporni pas
7. Regulator hitrosti
8. Ročica za zaklepanje
9. Sprožilca za VKLOP/IZKLOP
10. Krmilna ročica
11. Pokrovček
12. Razpršilna palica
13. Nastavljiva šoba
14. Šoba s ploskim curkom
15. Šoba za penjenje
16. Šoba za prho

SESTAVLJANJE

⚠ OPOZORILO: Če so deli poškodovani ali manjkajo, orodja ne uporabljajte, dokler ne zamenjate delov. Če ta izdelek uporabljate s poškodovanimi ali manjkajočimi deli, lahko pride do hudih telesnih poškodb.

⚠ OPOZORILO: Tega izdelka ne spreminjajte in ne izdelujte dodatkov, ki niso priporočeni za uporabo s tem izdelkom. Vsako tako spreminjanje ali predelava se šteje za napačno uporabo in povzroči tveganja, ki lahko povzročijo hude telesne poškodbe.

⚠ OPOZORILO: Za preprečitev nenamernega zagona, ki bi lahko povzročil hudo telesno poškodbo, pri sestavljanju delov, prilagajanju, čiščenju in kadar izdelek ni v uporabi, vedno odstranite akumulator.

- Ta izdelek je treba sestaviti.
- Izdelek in morebitne dodatke previdno odstranite iz škatle. Prepričajte se, da so priloženi vsi predmeti, navedeni v »Vsebini paketa«.
- Pazljivo pregledajte orodje in se prepričajte, da med pošiljanjem ni prišlo do zloma ali poškodb.
- Ne odvrzite embalažnega materiala, dokler izdelka temeljito ne pregledate in ga ne začnete uporabljati

SL

zadovoljivo.

- Če je katerikoli del poškodovan ali manjka, izdelek vrnite prodajalcu.

PRIKLJUČITEV RAZPRŠILNE PALICE NA KRMILNO ROČICO

1. Pokrovček razpršilne palice natakните na krmilni ročaj in ga varno zategnite v smeri urinega kazalca (sl. B).
2. Povlecite razpršilno palico, da se prepričate, da je pravilno pritrjena.

UPRAVLJANJE

⚠ OPOZORILO: Tudi če se dodobra seznanite s tem izdelkom, bodite pri ravnanju z njim pazljivi. Upoštevajte, da je samo delček sekunde nepazljivosti dovolj, da pride do hude telesne poškodbe.

⚠ OPOZORILO: Uporabljajte zaščitno opremo. Zaščitite oči, kožo in pljuča med mešanjem, polnjenjem, škropljenjem in čiščenjem. Če tega ne storite, lahko pride do resnih telesnih poškodb in materialne škode.

⚠ OPOZORILO: Da preprečite resne telesne poškodbe, odstranite baterijo iz naprave pred servisiranjem, čiščenjem, menjavo priključkov, polnjenjem ali praznjenjem rezervoarja.

⚠ OPOZORILO: Ne uporabljajte priključkov ali dodatkov, ki jih proizvajalec tega izdelka ne priporoča. Uporaba priključkov ali dodatkov, ki niso priporočeni, lahko povzroči hude telesne poškodbe.

Pred vsako uporabo celoten izdelek pregledajte za poškodovane, manjkajoče ali zrahljanje dele, kot so vijaki, maticе, pokrovi itd. Vsa zapirala in pokrove trdno privijte in izdelka ne uporabljajte dokler ne zamenjate manjkajočih ali poškodovanih delov.

NAMENSKA UPORABA

Ta izdelek lahko uporabljate za naslednje namene:

- Uporaba gnojil in zalivanje rastlin.
- Škropljenje herbicidov, pesticidov in fungicidov.

POZOR: Izdelek je namenjen samo za vrtnarsko in kmetijsko uporabo.

POZOR: Izdelek se sme uporabljati le za predpisane namene. Kakršna koli druga uporaba se smatra za nepravilno uporabo.

⚠ OPOZORILO: Nepravilna uporaba kemikalij ali raztopin lahko povzroči HUDE POŠKODBE ali SMRT. Upoštevajte varnostna navodila in smernice proizvajalca kemikalij, ki so navedene na varnostnem seznamu.

POLNJENJE REZERVOARJA (sl. C)

⚠ OPOZORILO: Vedno upoštevajte navodila proizvajalca kemikalij, natisnjena na oznaki izdelka za uporabo, čiščenje in shranjevanje. Ne kombinirajte kemikalij. Po vsaki uporabi temeljito očistite rezervoar po navodilih v »VZDRŽEVANJE« v tem priročniku. Kemikalije je treba hraniti izven dosega otrok. Če tega ne storite, lahko pride do resnih telesnih poškodb.

⚠ OPOZORILO: Da bi se izognili poškodbam in izgubi ravnotežja, se prepričajte, da količina tekočine, dodane v rezervoar, ne presega skupne teže škroplilnice, vključno s strojem, tekočino v rezervoarju ter uporabljeno šobo in baterijo 25 kg.

Tekoče kemikalije, ki jih je treba razpršiti, morajo biti redke kot voda. Gostejše tekočine se ne bodo pravilno razpršile. Rezervoarja ne napolnite preveč.

1. Odstranite baterijski sklop.
2. Odvijte pokrov rezervoarja v nasprotni smeri urinega kazalca in ga odstranite iz rezervoarja.
3. Razpršilec postavite na ravno površino.
4. Napolnite rezervoar z zeleno količino vode.
5. Izmerite priporočeno količino tekoče kemikalije.
6. Previdno nalijte tekočo kemikalijo v rezervoar.
7. Pokrovček rezervoarja privijte nazaj na škroplilnico in se prepričajte, da je dobro zategnjen.

Raztopine razpršila se lahko predhodno zmešajo in vlijejo v škroplilnico.

POZOR: Če uporabljate merilno posodo za zadrževanje tekočine, jo po uporabi temeljito očistite in sperite. Če predhodno mešate raztopino za razprševanje, sperite posodo, ki ste jo uporabili za mešanje.

POZOR: Pomembno je, da po vsaki uporabi temeljito očistite škroplilnico. Če dovolite, da tekočina v nedelujoči škroplilnici ostane dlje časa, se lahko zgodi, da se njeni gibljivi deli in priključki zamašijo.

PRIKLJUČITEV/ODKLOP BATERIJSKEGA SKLOPA

Uporabljajte samo z baterijskimi sklopi in polnilniki EGO, navedenimi na sliki A2.

SL

Za več podrobnosti glejte ustrezne priročnike za baterijske sklope in polnilnike.

Pred prvo uporabo baterijo popolnoma napolnite.

1. Dvignite pokrov prostora za baterije tako, da dvignete sprednji del pokrova (sl. D1).
2. **Za namestitev** poravnajte rebra baterije z režami za namestitev in pritisnite baterijski sklop navzdol, da zaslišite »klik« (sl. D1).
3. **Za odstranitev** pritisnite gumb za sprostitev baterije in izvlecite baterijski sklop (sl. D2).
4. Zaprite pokrov prostora za baterije.

⚠ OPOZORILO: Ko pritisnete gumb za sprostitev baterije, vedno bodite pozorni na noge, otroke ali hišne ljubljence. Če vam baterijski sklop pade na tla, lahko pride do hudih telesnih poškodb. Baterijskega sklopa NIKOLI ne odstranjujte na visokem mestu.

⚠ OPOZORILO: Pred začetkom delovanja se prepričajte, da se zapah na škropilnici zaskoči, da je baterija pritrjena na škropilnico in da je pokrov prostora za baterije popolnoma zaprt. Če akumulatorskega sklopa ne namestite varno, lahko akumulatorski sklop pade ven, kar povzroči resne telesne poškodbe.

⚠ OPOZORILO: Da bi se izognili resnim telesnim poškodbam, vedno odstranite baterijo in držite roke stran od krmilne ročice, ko dvigujete ali prevažate škropilnico.

NAMESTITEV NAHRBTNE ŠKROPILNICE

⚠ OPOZORILO: Pravilno se oblecite, da zmanjšate tveganje poškodb pri uporabi te naprave. Ne nosite ohlapnih oblačil ali nakita. Uporabljajte zaščito za oči. Nosite robustne dolge hlače, škornje in rokavice. Ne nosite kratkih hlač, sandalov ali bodite bos.

Pred uporabo nahrbtne škropilnice se prepričajte, da operater nosi zaščito za oči in ustrezna oblačila ter lahko stoji varno in uravnoteženo.

Nastavitev podpornega pasu

1. Roke potegnite skozi trakove nahrbtnika, da namestite škropilnico na hrbet.
2. Začasno prilagodite oba ramenska pasova v udoben položaj (sl. E1), pri čemer se prepričajte, da je vaš komolec udobno nameščen.
3. Pripnite sponko prsnega koša in po potrebi prilagodite dolžino prsnega pasu (sl. E2).
4. Zapnite sponko za pas in prilagodite dolžino traka

okoli pasu, tako da je nahrbtnik varno podprt na vaših bokih (sl. E3 in E4).

OPOMBA: Nahrbtnika ne smete nositi previsoko na hrbtu. Nameščen naj bo bližje bokom kot ramenom.

⚠ OPOZORILO: Ko pride do izrednih razmer, takoj spustite sponke prsnega koša in pasu, da snamete oba ramenska pasova na nahrbtniku. To je metoda hitre sprostitve.

5. Za varnost in udobje ponovno nastavite naramnice. Prepričajte se, da je nahrbtnik varno nameščen na vašem hrbtu, pri čemer težo podpira trak okoli pasu, ter ni odvečnega premikanja med vašim gibanjem (sl. E5).
6. Morebitno odvečno dolžino traku okoli pasu vstavite v elastiko na obeh straneh (sl. E6).
7. Če želite odstraniti nahrbtnik s hrba, samo pritisnite zaponke na pasu in prsih, da jih sprostite in spustite škropilnico (sl. E7).

ZAGON/ZAUSTAVITEV ŠKROPILNICE (SL. F)

Regulator hitrosti

1. Če želite povečati pretok, zavrtite gumb za hitrost v smeri urinega kazalca.

F-1	Regulator hitrosti	F-3	Sprožilec za vklop/izklop
F-2	Ročica za zaklepanje		

SL

2. Če želite zmanjšati pretok, zavrtite gumb za hitrost v nasprotni smeri urinega kazalca.
3. Škropilnica se bo ustavila, če boste še naprej obračali gumb do položaja »OFF«.

⚠ OPOZORILO: Da preprečite nenameren zagon, obrnite gumb za hitrost v položaj za izklop (rdeča pika na gumbu kaže proti pršilni palici).

⚠ OPOZORILO: Preden napravo shranite, pustite dlje časa ali zamenjate baterijo, vedno obrnite gumb za hitrost v izklopljeni položaj (rdeča pika na številčnici kaže proti pršilni palici).

Sprožilec za vklop/izklop

1. Pritisnite na sprožilec za VKLOP/IZKLOP, da vklopite škropilnico.
2. Spustite sprožilec, da zaustavite pretok.

Ročica za zaklepanje

Ročica za zaklepanje je primerna za škropljenje za daljše časovno obdobje ali pri pokrivanju velikega območja.

1. Če želite zakleniti sprožilec za VKLOP/IZKLOP, pritisnite vzvod za zaklepanje, ko pritisnete sprožilec.
2. Če želite sprostiti sprožilec za VKLOP/IZKLOP, povlecite zaklepno ročico.

POZOR: Prepričajte se, da sprožilec ni zaklenjen, preden vstavite baterijo v škropilnico.

NASTAVITEV IN MENJAVA ŠOB

⚠ OPOZORILO: Da preprečite resne telesne poškodbe, odstranite baterijo, preden prilagodite ali zamenjate šobe.

Škropilnica je opremljena s štiri šobami: Nastavljiva šoba, šoba s ploskim curkom, šoba za prho in šoba za penjenje. Preden začnete delati, izberite pravo šobo, da bo ustrezala vaši nalogi.

Nastavljiva šoba (sl. G1): Točkovno škropljenje cvetličnih gredic, sprehajalnih poti, dovozov, teras ter okoli dreves in grmičevja. Robovi vzdolž ograj, dovozov in sprehajalnih poti. Ubijanje plevela.

Šoba s ploskim curkom (sl. G3): Plosko pršenje za zelo široko pokritost in tekočine z višjo viskoznostjo. Priprava velikih površin za sajenje.

G-1	Šoba s ploskim curkom	G-3	Šoba za penjenje
G-2	Šoba za prho		

Šoba za prho (sl. G3): Izpostavlja večji pretok vode za zalivanje in obdelavo rastlin.

Šoba za penjenje (sl. G3): Vidno označuje obdelan plevel. Točkovno škropljenje plevela na travniku, okoli gredic, dreves in grmičevja. Robovi vzdolž ograj, dovozov in pešpoti.

Nastavljivo šobo lahko nastavite med tokom in škropljenjem (sl. G1).

1. Obrnite nazubljeni (teksturirani) del šobe v nasprotni smeri urinega kazalca za tok.
2. Obrnite nazubljeni (teksturirani) del šobe v smeri urinega kazalca za pršenje.

Odvijte celotno šobo v nasprotni smeri urinega kazalca, da odstranite in zamenjate šobo (sl. G2).

Pretok različnih šob, ki prihajajo s škropilnico:

	Nazivni pretok (l/min)	Največji delovni tlak (l/min)	Optimalni delovni tlak (l/min)
Nastavljiva šoba	2,3	2,7	2,4
Šoba s ploskim curkom	2,3	2,7	2,4
Šoba za prho	2,3	2,9	2,7
Šoba za penjenje	2,3	2,7	2,4

ŠKROPLJENJE KEMIKALIJ ZA DOM IN VRT (sl. H)

⚠ OPOZORILO: Nikoli ne usmerjajte šobe palice nase ali na druge osebe.

⚠ OPOZORILO: Nikoli ne kadite, jejte ali pijte med delovanjem škropilnice.

⚠ OPOZORILO: Nikoli ne pršite v smeri ljudi ali živali; Vedno pršite s hrbtnim vetrom.

⚠ OPOZORILO: Nevarnost požara ali eksplozije. Prostor za pršenje mora biti dobro prezračen in stran od isker ali plamenov.

1. Namestite baterijski sklop.
2. Zavrtite gumb za hitrost, da nastavite želeno stopnjo pretoka.
3. Šobo škropilnice usmerite neposredno na rastline ali predmete, ki jih želite pršiti.

OPOMBA: Prepričajte se, da stojite dovolj daleč od predmeta, ki ga razpršite, da preprečite, da bi prišlo pljuskalo nazaj na vas.

4. Pritisnite sprožilec, da zaženete škropilnico.
5. Spustite sprožilec, da zaustavite škropilnico.
6. Vedno izpraznite in očistite rezervoar po vsaki uporabi, kot je navedeno v poglavju "VZDRŽEVANJE".

NASVETI ZA UPORABO

- Prilagodite ramenske trakove pasu, tako da škropilnica sedi nad pasom in da je rezervoar blizu hrbta.
- Izogibajte se škropljenju v vetrovnih dneh. Pršenje lahko po nesreči odpihne na rastline ali predmete, ki jih ne

smete škropiti.

- Pršite zgodaj zjutraj ali pozno popoldne, zlasti v toplejšem vremenu. Prekomerna toplota lahko izhlapi pršilo, preden začne učinkovati.

VZDRŽEVANJE

⚠ OPOZORILO: Za popravila uporabljajte samo identične nadomestne dele. Uporaba drugih delov je tvegana in lahko poškoduje izdelek. Za zagotovitev varnosti in zanesljivosti mora vsa popravila izvesti usposobljen servisni tehnik.

⚠ OPOZORILO: Da bi se izognili resnim telesnim poškodbam, odstranite baterijo iz škroplilnice pred servisiranjem, čiščenjem, zamenjavo šob, vzdrževanjem ali ko škroplilnice ne uporabljate. Razpršilec na baterije z vstavljenjo baterijo je vedno vklopljen in se lahko nenamerno zažene.

SPLOŠNO VZDRŽEVANJE

Vse storitve škroplilnice, razen tistih, ki so navedeni v teh navodilih za vzdrževanje, mora opraviti usposobljen servisni tehnik.

ČIŠČENJE

Pri čiščenju plastičnih delov ne uporabljajte topil. Večino vrst plastike se lahko pri uporabi različnih komercialnih topil poškoduje. Umazanijo, prah, olje, mast itd. odstranite s čisto krpo.

⚠ OPOZORILO: nikoli naj zavorna tekočina, gorivo, izdelki na osnovi naftnih derivatov, prodirajoče olje ne pridejo v stik s plastičnimi deli. Kemikalije lahko plastiko poškodujejo, oslabijo ali uničijo, kar lahko privede do hudih poškodb.

⚠ OPOZORILO: Pri čiščenju škroplilnice je NE potaplajte v vodo ali druge tekočine.

⚠ OPOZORILO: Kemikalije vedno pravilno shranjujte in zavrzite. Odstranjevanje kontaminirane vode za izpiranje je treba opraviti v skladu z lokalnimi odloki in podzakonskimi akti.

- Če po škropljenju v rezervoarju ostane tekočina, pred čiščenjem izpraznite rezervoar.
- Za čiščenje zunaj rezervoarja vedno uporabljajte samo mehko, suho krpo; Nikoli ne uporabljajte detergenta ali alkohola.
- Rezervoar napolnite približno do tretjine s čisto vodo.

Pršite, dokler se rezervoar ne izprazni. Prepričajte se, da ste pršilo usmerili na območje, ki ga raztopina razpršila ne bo poškodovala.

- Napolnite in ponovite postopek s čisto vodo. Morda bo treba rezervoar sprati več kot enkrat, nato pa ponovno izprazniti, kot je navedeno zgoraj.
- Pred ponovnim sestavljanjem in shranjevanjem enote pustite, da se vsi deli popolnoma posušijo.

VZDRŽEVANJE ŠOB

⚠ OPOZORILO: Poskrbite, da je vse vzdrževanje šob pravilno izvedeno, da preprečite uhajanje vode. Zaradi iztekanj lahko površina postane gladka in povzroči nevarnost zdrsa ali padca ter materialno škodo.

Neenakomerni vzorci pršenja ali uhajanje so lahko posledica zamašene ali umazane šobe.

1. Izklopite škroplilnico in odstranite baterijo.
2. **Čiščenje nastavljive šobe (sl. I1):**
 - a. Odvijte in odstranite nazubljeni (teksturirani) del nastavljive šobe.
 - b. Potisnite tanko žico (ni priložena) skozi prečne luknje, da odstranite vse odpadke. Po potrebi sperite prečne luknje in šobo s čisto vodo.
 - c. Obrišite šobo s čisto suho krpo in ponovno namestite šobo.
3. **Čiščenje šobe s ploskim curkom in šobe za penjenje (sl. I2):**
 - a. Odvijte in odstranite šobo z razpršilne palice.
 - b. Skozi luknjo potisnite tanko žico (ni priložena), da odstranite vse odpadke. Po potrebi šobo sperite s čisto vodo.
 - c. Obrišite šobo s čisto suho krpo in ponovno namestite šobo.

SL

PREVOZ IN SKLADIŠČENJE (SI. J)

- Odstranite baterijski sklop.
- Gumb za hitrost obrnite v položaj izklop (rdeča pika na številčnici kaže proti razpršilni palici).
- Škroplilnico temeljito očistite.
- Izpraznite rezervoar, cev in razpršilno palico.

POZOR: Pred skladiščenjem, zlasti pred prezimovanjem, izpraznite rezervoar, cev in razpršilno palico, da preprečite zmrzovanje in poškodbe stroja, zaradi česar se po prezimovanju ne bo zagnal.

- Pritrdite razpršilno palico v podnožje in sponko za shranjevanje.

J-1	Sponka za shranjevanje	J-3	Nosilni ročaj
J-2	Podnožje		

- Med prevozom dvignite škropilnico za ročaj za nošenje ali jo nosite za podporni pas.
- Škropilnico shranjujte v zaprtih prostorih, na dobro prezračevanem mestu.
- Orodja ne shranjujte v bližini korozivnih sredstev, kot so vrtno kemikalije in soli za topjenje ledu.

Varovanje okolja



Električne opreme, rabljene baterije in polnilnika ne odvrzite med gospodinjske odpadke!

Izdelek odnesite na pooblaščen obrat za recikliranje in ga zavrzite ločeno.

Električna orodja je treba odnesti na obrat za recikliranje in ga reciklirati na okolju prijazen način.

ODPRAVLJANJE TEŽAV

TEŽAVA	VZROK	REŠITEV
Škropilnica se ne zažene.	<ul style="list-style-type: none"> ■ Baterijski sklopi niso pravilno vstavljeni v prostor za baterije. ■ Ni električnega stika med škropilnico in baterijo. ■ Baterijski sklop je izprazen. ■ Baterija ali škropilnica je prevroča. 	<ul style="list-style-type: none"> ■ Preverite, ali je baterija popolnoma vstavljena v predal za baterije. ■ Odstranite baterijo, preverite kontakte in znova namestite baterijo. ■ Napolnite baterijski sklop. ■ Izklopite škropilnico in pustite, da se baterija ali škropilnica ohladi, dokler temperatura ne pade na priporočeno območje delovne temperature.
Motor deluje, vendar iz šobe ne pride pršilo.	<ul style="list-style-type: none"> ■ Nizka raven tekočine v rezervoarju. ■ Šoba se je med delovanjem zamašila. 	<ul style="list-style-type: none"> ■ Preverite in se prepričajte, da je v rezervoarju dovolj tekočine. ■ Očistite šobo/šobe v skladu s poglavjem »VZDRŽEVANJE ŠOB« in jih ponovno sestavite po navodilih.
Tekočina uhaja med krmilnim ročajem in palico.	<ul style="list-style-type: none"> ■ Pokrovček škropilne palice je ohlapen. 	<ul style="list-style-type: none"> ■ Zategnite pokrovček.
Tekočina pušča med razpršilno palico in šobo.	<ul style="list-style-type: none"> ■ Šoba je ohlapna ali nepravilno nameščena. 	<ul style="list-style-type: none"> ■ Ponovno namestite šobo pravilno in tesno v skladu z »NASTAVITEV IN MENJAVA ŠOB« poglavje.

SL

GARANCIJA

GARANCIJSKA POLITIKA DRUŽBE EGO

Obiščite spletno stran egopowerplus.eu za popolne pogoje in določila garancijske politike EGO.

PERSKAITYKITE VISAS INSTRUKCIJAS!



SKAITYTI NAUDOTOJO INSTRUKCIJĄ

⚠️ ĮSPĖJIMAS: Norint užtikrinti saugumą ir patikimumą, visus remonto darbus turi atlikti kvalifikuotas techninės priežiūros specialistas.

⚠️ ĮSPĖJIMAS: Prieš pradėdami naudoti šį įrenginį, perskaitykite visus šioje naudojimo instrukcijoje pateiktus saugos nurodymus, taip pat susipažinkite su visais saugos išpėjamaisiais simboliais, tokiais kaip „PAVOJUS“, „ĮSPĖJIMAS“ ir „DĖMESIO“ ir įsitikinkite, ar juos supratote. Nesilaikant visų toliau išdėstytų nurodymų galima patirti elektros smūgį, sukelti gaisrą ir (ar) sunkiai susižaloti.

ĮSAUGOKITE VISAS INSTRUKCIJAS SU ĮSPĖJIMAIS, NES JŲ GALI PRIREIKTI ATEITYJE.

SAUGOS SIMBOLIAI

⚠️ ĮSPĖJIMAS: Bet koks elektrinis įrankis naudojimo metu gali išsviesti šiukšles, kurios gali pataikyti į akis ir sunkiai jas sužaloti. Prieš pradėdami naudoti elektrinį įrankį, visada užsidėkite apsauginius akinius arba apsauginius akinius su šonine apsauga ir, jei reikia, visą veidą dengiantį skydelį. Rekomenduojame naudoti platų matymo lauką užtikrinančią apsauginę kaukę, dedamą ant akinių, arba standartinius apsauginius akinius su šonine apsauga.



Įspėjimas dėl saugos



Kad sumažintų susižalojimo pavojų, prieš naudodamas šį gaminį naudotojas turi perskaityti naudotojo vadovą ir įsitikinti, kad jį suprato.



Dėvėkite apsauginius drabužius.



Purkšdami laikykite pašalinius asmenis atokiau.



Dėvėkite veido apsauginį skydelį.



Šis gaminys atitinka taikomas EB direktyvas.



Garantuojamas garso galios lygis. Triukšmo sklaida į aplinką atitinka Europos Bendrijos direktyvą.



Šis gaminys atitinka taikomas JK direktyvas.



Netinkamus naudoti elektros prietaisus draudžiama išmesti kartu su buitėmis atliekomis. Pristatyti įgaliotam perdirbėjui.

IPX4

Apsauga nuo vandens pusrū



Nuolatinė srovė

.../min. Per minutę

V

Įtampa

n_0

Sūčiai be apkrovos

mm

Milimetrai

BENDRIEJI SAUGOS ĮSPĖJIMAI

⚠ ĮSPĖJIMAS: Perskaitykite ir peržiūrėkite visus su šiuo įrenginiu pateiktus saugos nurodymus, instrukcijas, paveikslėlius ir specifikacijas. Nesilaikant visų toliau išdėstytų nurodymų galima patirti elektros smūgį, sukelti gaisrą ir (ar) sunkiai susižaloti.

Išsaugokite visas instrukcijas su įspėjimais, nes jų gali prireikti ateityje.

Įspėjimuose vartojamu terminu „įrenginys“ vadinamas iš elektros lizdo maitinamas (laidinis) arba akumulatorinis įrenginys.

SAUGA DARBO VIETOJE

- Darbo vieta turi būti švari ir gerai apšviesta. Jei darbo vieta netvarkinga ar blogai apšviesta, gali įvykti nelaimingas atsitikimas.
- Nedirbkite su įrenginiu sprogoje aplinkoje, pvz., ten, kur yra degiųjų skysčių, dujų arba dulkių. Įrenginys kibirkščiuoja, o kibirkštys gali uždegti dulkes arba garus.
- Dirbdami su elektriniu įrenginiu, neleiskite artintis vaikams ir pašaliniais asmenims. Dėl dėmesio blaškymo galite nesuvaldyti prietaiso.

ELEKTROSAUGA

- Elektrinio įrankio kištukas turi tikti elektros lizdui. Niekada jokiais būdais kištuko neperdarykite. Su žemintais elektriniais įrenginiais nenaudokite jokių kištuko adapterių. Originalūs kištukai, tiksliai tinkantys elektros tinklo lizdui, sumažina elektros smūgio pavojų.
- Nesilieskite prie žemintų paviršių, pavyzdžiui, vamzdžių, radiatorių, viryklių ir šaldytuvų. Jei jūsų kūnas bus žemintas, padidės elektros smūgio pavojus.
- Nelaikykite įrankių lietuje ar drėgnoje aplinkoje. Vandeniui patekus į įrankį, padidėja pavojus patirti elektros smūgį.
- Atsargiai elkitės su maitinimo laidu. Niekada nenaudokite laido nešimui, traukimui arba įkroviklio atjungimui nuo maitinimo tinklo. Saugokite laidą nuo kaitros šaltinių, alyvos, aštrių briaunų ir judančių dalių. Pažeidus arba supainiojus laidus išauga pavojus patirti elektros smūgį.
- Kai su elektriniu įrenginiu dirbate lauke, naudokite laukui skirtą laido ilgutuvą. Naudojant laukui skirtą maitinimo laidą, sumažėja pavojus patirti elektros smūgį.
- Jeigu elektrinio įrankio naudojimas drėgnoje vietoje yra neišvengiamas, naudokite maitinimo šaltinį su liekamąja srove valdomu atjungimo įtaisu (RCD). RCD naudojimas sumažina elektros smūgio pavojų.

ASMENINĖ SAUGA

- Naudodami įrankį būkite budrus, stebėkite, ką darote, ir vadovaukitės sveika nuovoka. Nedirbkite su įrenginiu, jei esate pavargę arba vartojote narkotikus, alkoholį ar medikamentus. Neatidumo akimirka dirbant su įrenginiais gali lemti sunkią traumą.
- Naudokite asmeninės apsaugos priemones. Visada būkite su apsauginiais akiniais. Atitinkamomis sąlygomis naudojamos apsaugos priemonės, pvz., respiratorius, neslidūs apsauginiai batai, šalmas arba ausinės, sumažina pavojų susižaloti.
- Apsisaugokite nuo atsitiktinio įjungimo. Prieš jungdami prie maitinimo šaltinio ir (ar) baterijos, prieš įrankį keldami arba nešdami įsitikinkite, kad jungiklis yra išjungimo padėtyje. Nešant elektrinius įrankius uždėjus pirštą ant jungiklio arba netyčia įjungiant elektrinį įrankį su įjungtu jungikliu, gali įvykti nelaimingas atsitikimas.
- Prieš įjungdami įrankį patraukite į šalį visus reguliavimo raktus ir veržliarakčius. Įrenginio sukamojoje dalyje likus raktui ar veržliarakčiui galima susižaloti.
- Nesistenkite pasiekti pernelyg toli. Visada stovėkite tvirtai ir išlaikykite pusiausvyrą. Taip geriau suvaldysite įrenginį netikėtose situacijose.
- Dėvėkite tinkamus drabužius. Nedėvėkite laisvų drabužių ir nenešiokite laisvai kabančių papuošalų. Saugokite savo plaukus ir drabužius nuo judančių dalių. Laisvus drabužius, papuošalus ar ilgus plaukus gali įtraukti judamosios dalys.
- Jei yra įtaisai, skirti dulkių išsiurbimo ir surinkimo įtaisams prijungti, tinkamai juos prijunkite ir naudokite. Naudojant dulkių surinkimo įrenginius, gali sumažėti su dulkėmis susijusių pavojų.
- Net ir dažnai naudodami įrenginius, pernelyg savimi nepasitikėkite ir nepraraskite budrumo, laikykitės saugaus įrenginio naudojimo taisyklių. Užtenka akimirkos išsiblaškymo, kad dėl neatsargaus veiksmo sunkiai susižalotumėte.

ĮRENGINIO NAUDOJIMAS IR PRIEŽIŪRA

- Elektrinio įrenginio pernelyg nespauskite. Naudokite jūsų darbui tinkamą įrenginį. Veikdamas numatytoju greičiu, tinkamas įrenginys darbą atlieka veiksmingiau ir saugiau.
- Nenaudokite įrenginio, jeigu jo negalima įjungti ar išjungti jungikliu. Įrenginys, kurio jungiklis neveikia, yra pavojingas ir jį būtina sutaisyti.
- Prieš reguliuodami įrenginį, keisdami jo priedus arba padėdami jį į laikymo vietą, atjunkite kištuką

LT

nuo maitinimo šaltinio ir (ar) išimkite sudėtinę bateriją. Tokia saugumo priemonė apsaugos jus nuo netyčinio įrenginio įjungimo.

- Nenaudojamą įrenginį laikykite vaikams neprieinamoje vietoje ir neleiskite įrenginio naudoti asmenims, kurie nėra susipažinę su jo naudojimu ar šiomis instrukcijomis. Neapmokytų žmonių naudojami įrenginiai kelia pavojų.
- Vykdykite įrenginio ir priedų techninę priežiūrą. Patikrinkite, ar judančios dalys suderintos ir nestringa, ar nėra lūžusių dalių, ar nėra kitų sąlygų, galinčių turėti įtakos įrenginio veikimui. Jei įrenginys pažeistas, prieš naudodami jį sutaisykite. Dauguma nelaimingų atsitikimų įvyksta dėl prastai prižiūrimų įrankių.
- Pjovimo įrenginiai turi būti aštrūs ir švarūs. Tinkamai prižiūrimi pjovimo įrankiai aštriais ašmenimis rečiau stringa ir lengviau valdomi.
- Įrenginį, priedus, antgalius ir kitas dalis naudokite pagal šią instrukciją, atsižvelgdami į darbo sąlygas ir atliekamą darbą. Naudojant įrenginį ne pagal paskirtį gali susidaryti pavojingos aplinkybės.
- Rankenos ir sugriebimo paviršiai turi būti sausi, švarūs ir neištepti alyva ar tepalu. Dėl slidžių rankenų ir laikymo paviršių įrankį sunku saugiai valdyti ir jis gali išsprūsti netikėtomis aplinkybėmis.

AKUMULIATORINIO ĮRENGINIO NAUDOJIMAS IR PRIEŽIŪRA

- Kraukite naudodami tik gamintojo nurodytą įkroviklį. Įkroviklis, tinkamas vieno tipo sudėtinei baterijai, gali kelti gaisro pavojų, jei naudojamas su kito tipo sudėtine baterija.
- Įrenginius naudokite tik su jiems skirtomis sudėtinėmis baterijomis. Naudojant kitokias sudėtines baterijas gali kilti sužalojimų ir gaisro pavojus.
- Nenaudojama sudėtinė baterija turi būti laikoma atokiau nuo metalinių daiktų, tokių kaip sąvaržėlės, monetos, raktai, vinyai, varžtai ar kiti smulkūs metaliniai daiktai, galintys sujungti abu baterijos gnybtus. Įvykus trumpajam jungimui tarp baterijos gnybtų galima nusideginti ar gali kilti gaisras.
- Dėl netinkamų sąlygų iš baterijos gali ištėkti skystis – nelieskite jo. Skystiui atsitiktinai patekus ant odos, nedelsiant nuplaukite vandeniu. Jeigu skystis pateko į akis, kreipkitės ir į gydytojus. Iš baterijos ištėkėjęs skystis gali dirginti arba nudeginti.
- Nenaudokite pažeistos ar modifikuotos sudėtinės baterijos ar įrankio. Tokios netinkamos sudėtinės baterijos gali kelti gaisro, sprogo ar sužalojimo pavojų.

- Sudėtinės baterijos ar įrankio negalima deginti ar kaitinti. Bateriją deginant ar įkaitinus virš 130 °C ji gali sprogti.
- Laikykitės įrankio ar sudėtinės baterijos įkrovimo instrukcijų ir įkrovimą vykdykite nurodytame temperatūrų diapazone. Priešingu atveju galite sugadinti sudėtinę bateriją ar net sukelti gaisrą.

TECHNINĖ PRIEŽIŪRA

- Įrenginio techninę priežiūrą gali vykdyti tik kvalifikuotas specialistas, sugedusias dalis keičiantis tik originaliomis atsarginėmis dalimis. Taip užtikrinsite savo įrenginio saugą.
- Niekada neremontuokite sugadintų sudėtinų baterijų. Baterijas remontuoti gali tik gamintojas arba įgalioto techninės priežiūros centro specialistai.

AKUMULIATORINIO PURKŠTUVO SAUGOS INSTRUKCIJOS

⚠ PAVOJUS: Gaisro arba sprogo pavojus. Nepurškite degių skysčių, pavyzdžiui, benzino.

⚠ ĮSPĖJIMAS:


- Kad išvengtumėte sužeidimų, visada naudokite akių, kvėpavimo takų ir odos apsaugos priemones.
- Kad sumažintumėte elektros smūgio pavojų, nelaikykite jo po lietuvi.
- Skirta naudoti tik buityje ir lauke.
- Nepurškite degių ar lengvai užsiliepsnojančių skysčių uždaroje erdvėje. Purškiant degių skystį kyla gaisro arba sprogo pavojus, ypač uždaroje patalpoje.
- Purškimo zona turi būti gerai vėdinama.
- Purškdami nerūkykite ir nepurškite ten, kur yra kibirkščių ar liepsnos.
- Prieš pildydami baką, visada išimkite akumuliatorių. Prieš įdėdami akumuliatorių nuvalykite išsiliejusius skysčius. Šios taisyklės laikymasis sumažins elektros smūgio ir korozinių skysčių patekimo į akumuliatorių riziką, dėl kurios gali sugesti sudėtinė baterija, įskaitant trumpąjį jungimą, dėl kurio gali atsirasti dūmų, gaisro ir (arba) rimtų kūno sužalojimų.
- Neleiskite, kad į sudėtinę bateriją patektų laidžių ar koroziją sukeliančių skysčių. Jei ant sudėtinės baterijos išsiliejo laidžių ar koroziją sukeliančių skysčių, vadovaukitės instrukcijomis, pateiktomis sudėtinės baterijos operatoriaus vadove.
- Prieš naudodami purškiamąsias medžiagas šiuo

purkštuvu, atidžiai perskaitykite originalioje medžiagos pakuotėje esančią etiketę ir laikykitės joje pateiktų nurodymų. Kai kurios purškiamosios medžiagos yra pavojingos ir jų negalima naudoti šiame purkštuve, nes jos gali sugadinti purkštuvą ir sukelti sunkius kūno sužalojimus arba materialinę žalą.

- Žinokite purškiamos cheminės medžiagos sudėtį. Perskaitykite visus saugos duomenų lapus (SDS) ir pakuočių etiketes, pateiktas kartu su chemine medžiaga. Laikykitės cheminių medžiagų gamintojo saugos nurodymų.
- Elektros smūgio pavojus. Niekada nepurškite link elektros lizdų.
- Į baką nepilkite karštų ar verdančių skysčių. Tai gali susilpninti arba pažeisti vamzdžius ar baką.
- Venkite purškimo vėjuotomis dienomis. Purškalas gali būti netyčia nupūstas ant augalų ar daiktų, kurių purškiti nereikėtų.
- Laikykite purkštuvą saugioje, gerai vėdinamoje patalpoje, kai skysčio bakas yra tuščias.
- Nepurškite baliklio ar vandenilio peroksido.
- Nepurškite alkoholio pagrindu pagamintų cheminių medžiagų.
- Nepurškite miltelių ar abrazyvinių cheminių medžiagų.
- Nepurškite kaustinių (šarminių) ar savaime įkaistančių skysčių.
- Nenaudokite aplinkai pavojingų cheminių medžiagų, kurių neleidžiama naudoti pagal vietos teisės aktus.
- Nenukreipkite purkštuvo antgalio žmonių ar naminių gyvūnėlių kryptimi.
- Įrenginio niekada neleiskite naudoti vaikams, fizinę, jutimo ar protinę negalią turintiems arba patirties ir žinių neturintiems asmenims, taip pat žmonėms, nesusipažinusiems su šia instrukcija.
- Operatorius arba naudotojas atsako už nelaimingus atsitikimus ir pavojus, keliamus kitiems žmonėms ar jų turtui.
- Purkštuvą turi būti naudojamas tik su augalų apsaugos produktais, kuriuos vietinės ir (arba) nacionalinės reguliavimo institucijos patvirtino kaip augalų apsaugos produktus, skirtus naudoti su ant nugaros nešiojamais purkštuvais.
- Išvirkštimo rizika. Negalima išleisti tiesiai ant odos. Laikykite visas kūno dalis nuo purškimo modelio.
- Panaudoję purkštuvą, bake nepalikite likučių ar purškiamos medžiagos. Išvalykite po kiekvieno naudojimo.

- Gaisro ar sprogdimo rizikai sumažinti naudokite skystį, kurio pliūpsnio temperatūra aukštesnė nei 60°C.
- Kad sumažintumėte elektros smūgio pavojų, neikiškite purkštuvo į vandenį ar kitą skystį. Nestatykite ir nelaikykite purkštuvo ten, kur jis gali nukristi arba būti įmestas į vonią ar kriauklę.
- Prižiūrėkite šį gaminį. Prieš kiekvieną naudojimą kruopščiai apžiūrėkite purkštuvo vidų ir išorę ir patikrinkite sudedamąsias dalis. Patikrinkite, ar nėra įtrūkusių ir nusidėvėjusio bako, nuotėkio, užsikimšusių purkštukų, trūkstančių ar sugadintų dalių. Jei gaminyje pažeistas, prieš naudodami jį sutaisykite. Daugelį nelaimingų atsitikimų sukelia blogai prižiūrimi produktai.
- Kai purkštuvu nenaudojate ir prieš atlikdami techninę priežiūrą ar valymą, perjunkite maitinimo jungiklį į išjungimo padėtį.
- Prieš ištuštinami, valdami ar laikydami purkštuvą, atjunkite akumuliatorių nuo įrenginio. Tokios prevencinės saugos priemonės sumažina atsitiktinio paleidimo riziką.
- Visada dėvėkite akių apsaugą su šoniniais skydais arba akiniais. To nepadarius, į akis gali patekti skysčiai, o tai gali sukelti rimtų sužalojimų.
- Saugokite plaučius. Dėvėkite patvirtintas saugos priemones, pavyzdžiui, specialiai purškalams filtruoti skirtas veido kaukes, pirštines ir kitas tinkamas apsaugos priemones. Laikantis šios taisyklės sumažėja pavojus sunkiai susižaloti. Laikykitės cheminių medžiagų gamintojo saugos instrukcijų ir gairių, išvardytų SDS lape.
- Cheminės medžiagos ir cheminių medžiagų garai gali būti pavojingi ir sukelti sunkius sužalojimus, negrįžtamus pakitimus ar mirtį, jei jų nuryjama, įkvepiama arba patenka į akis ar ant odos. Laikykitės cheminių medžiagų gamintojo saugos instrukcijų ir gairių, išvardytų SDS lape.
- Siekiant sumažinti susižalojimo riziką, būtina atidžiai prižiūrėti, kai purkštuvą naudojamas šalia vaikų.
- Nesilieskite prie judančių dalių.
- Naudokite tik gamintojo rekomenduojamus ar parduodamus priedus.
- Apsisaugokite nuo atsitiktinio įjungimo. Prieš prijungdami prietaisą prie sudėtinės baterijos ir prieš jį pakeldami arba nešdami įsitikinkite, ar išjungtas jungiklis. Nešdami prietaisą su pirštu ant jungiklio arba įjungdami prietaisus, kurie turi įjungtą jungiklį, galite patirti nelaimingų atsitikimų.

TECHNINIAI DUOMENYS

Vardinė įtampa	56 V 
Maks. Bako talpa	15 l
Maks. Darbinis slėgis	24 barai
Maks. Purškimo srauto greitis (su reguliuojamu antgaliu, purškimo režimas)	2,3 l/min
Įleidimo filtro skersmuo	35 mm
Įleidimo filtro tinkelio dydis	0,35 mm
Išleidimo filtro skersmuo	124 mm
Svoris (sausas svoris, be akumulatoriaus)	7,6 kg
Rekomenduojama darbo temperatūra	Nuo 5 °C iki 40 °C
Rekomenduojama laikymo temperatūra	Nuo -20 °C iki 70 °C
Rekomenduojama įkrovimo temperatūra	Nuo 5 °C iki 40 °C

LT

⚠️ ĮSPĖJIMAS: Prieš naudodami ant nugaros nešiojamą purkštuvą, įsitikinkite, kad bendras jo svoris, įskaitant įrenginį, bako esantį skystį, antgalį ir naudojamą akumuliatorių, neviršija 25 kg, kad išvengtumėte sužeidimų ir pusiausvyros praradimo.

- Nurodyta bendroji vibracijos vertė išmatuota taikant standartinį bandymo metodą, todėl pagal ją galima palyginti skirtingus įrankius;
- Nurodytą bendrąją vibracijos vertę taip pat galima naudoti pirminiam poveikio vertinimui.

PASTABA: Naudojant įrankį realiomis sąlygomis, sklaidžiamos vibracijos stiprumo vertė gali skirtis nuo nurodytos. Kad apsaugotų dirbdamas realiomis sąlygomis, naudotojas turi mūvėti pirštines ir naudoti klausos apsaugos priemones.

PAKUOTĖS TURINIO SĄRAŠAS (A1 PAV.)

210

56 VOLTŲ LIČIO JONŲ AKUMULIATORINIS ANT NUGAROS NEŠIOJAMAS PURKŠTUVAS — BSP3500E

APRAŠYMAS

PAŽINKITE SAVO PURKŠTUVĄ (A1 PAV.)

1. Žarna
2. Baterijų skyrius
3. Bakas
4. Bako dangtelis
5. Nešimo rankena
6. Reguliuojamų laikymo diržų kompleksas
7. Greičio reguliavimo ratukas
8. Užrakinimo svirtis
9. Įjungimo / išjungimo jungiklis
10. Valdymo rankena
11. Kamštelis
12. Purkštuvas
13. Reguliuojamas antgalis
14. Ventilatoriaus antgalis
15. Putų antgalis
16. Dušo antgalis

SURINKIMAS

⚠️ ĮSPĖJIMAS: Jei kurios nors dalys pažeistos arba jų nėra, nenaudokite šio gaminio tol, kol tos dalys nebus pakeistos. Naudojant gaminį su pažeistomis dalimis arba kai jų trūksta, galima sunkiai susižaloti.

⚠️ ĮSPĖJIMAS: nebandykite keisti šio gaminio konstrukcijos arba naudoti priedus, kurie nėra rekomenduojami naudoti su šiuo gaminiumi. Visi tokie pakeitimai laikomi netinkamu naudojimu ir gali sukelti pavojingas situacijas, kurių metu galite sunkiai susižaloti.

⚠️ ĮSPĖJIMAS: Kad išvengtumėte atsitiktinio paleidimo, galinčio sukelti rimtų sužalojimų, visada išimkite akumuliatorių iš įrenginio, kai montuojate dalis, reguliuojate, valote arba nenaudojate gaminio.

- Šį gaminį reikia surinkti.
- Atsargiai išimkite gaminį ir visus priedus iš dėžės. Įsitikinkite, kad visi „Pakavimo sąrašė“ nurodyti daiktai yra komplekte.
- Atidžiai patikrinkite gaminį ir įsitikinkite, kad gabenimo metu niekas nesulūžo ir nebuvo pažeista.
- Pakuotės medžiagų neišmeskite, kol atidžiai nepatikrinote ir neišbandėte gaminio.

- Jei kuri nors dalis yra pažeista arba jos trūksta, grąžinkite gaminį į jo įsigijimo vietą.

PURKŠTUVO PRIJUNGIMAS PRIE VALDYMO RANKENOS

1. Užsukite purkštuvu galinį dangtelį ant valdymo rankenos ir tvirtai priveržkite pagal laikrodžio rodyklę (B pav.).
2. Patraukite purkštuvą, kad įsitikintumėte, jog jis tinkamai pritvirtintas.

DARBAS

⚠ ĮSPĖJIMAS: Mokėjimas naudotis šiuo gaminiu nesuteikia teisės dirbti nerūpestingai. Atminkite, kad net akimirksniui atitraukę dėmesį galite sunkiai susižaloti.

⚠ ĮSPĖJIMAS: Naudokite apsaugos priemones. Saugokite akis, odą ir plaučius maišydami, pildami, purkšdami ir valydami. To nepadarius, gali būti sunkiai sužalotas kūnas ir sugadintas turtas.

⚠ ĮSPĖJIMAS: Kad išvengtumėte rimtų sužalojimų, prieš atlikdami techninę priežiūrą, valydami, keisdami priedus, pripildydami ar ištuštinami baką, išimkite akumuliatorių iš prietaiso.

⚠ ĮSPĖJIMAS: Nenaudokite jokių papildomų įtaisų ar priedų, kurių nerekomendavo šio įrankio gamintojas. Naudojant nerekomenduojamus papildomus įtaisus ar priedus galima sunkiai susižaloti.

Kaskart prieš naudodami gaminį nuodugniai jį patikrinkite, ar nesugadintas ir netrūksta ar neatsilaisvinusios dalys, pavyzdžiui, sraigčiai, varžlės, varžtai, dangteliai ir pan. Tvirtai priveržkite visas tvirtinimo detales ir dangtelius ir nenaudokite šio gaminio, kol nepakeisite visų trūkstančių ar sugadintų dalių.

PASKIRTIS

Galite naudoti šį gaminį toliau išvardytais tikslais:

- Trašų naudojimas ir augalų laistymas.
- Herbicidų, pesticidų ir fungicidų purškimas.

PASTABA: Produktas skirtas tik sodininkystei ir žemės ūkiui.

PASTABA: Šį gaminį reikia naudoti tik pagal nurodytą paskirtį. Bet koks kitas naudojimas laikomas netinkamu.

⚠ ĮSPĖJIMAS: Netinkamas cheminių medžiagų ar tirpalų naudojimas gali sukelti **SUNKIUS SUŽALOJIMUS** arba **MIRTĮ**. Laikykitės cheminių medžiagų gamintojo saugos instrukcijų ir gairių, išvardytų SDS lape.

BAKO UŽPILDYMAS (C pav.)

⚠ ĮSPĖJIMAS: Visada laikykitės cheminių medžiagų gamintojo nurodymų, atspausdintų ant jų gaminio etiketės, kad galėtumėte naudoti, valyti ir laikyti. Nemaiškykite cheminių medžiagų. Po kiekvieno naudojimo kruopščiai išvalykite baką, vadovaudamiesi šio vadovo skyriuje „**PRIEŽIŪRA**“ pateiktais nurodymais. Cheminės medžiagos turėtų būti laikomos vaikams nepasiekiamoje vietoje. Jei to nepadarysite, galite sunkiai susižeisti.

⚠ ĮSPĖJIMAS: Kad išvengtumėte sužeidimų ir pusiausvyros praradimo, įsitinkite, kad į baką įpilto skysčio kiekis neviršija 25 kg bendro purkštuvu svorio, įskaitant įrenginį, bakelyje esantį skystį, atgalį ir naudojamą akumuliatorių.

Purškiami skysti chemikalai turi būti tokie skysti kaip vanduo. Tirštesni skystčiai nebus tinkamai purškiami. Neperpildykite bako.

1. Išimkite sudėtinę bateriją.
2. Atsukite bako dangtelį prieš laikrodžio rodyklę ir išimkite jį iš bako.
3. Pastatykite purkštuvą ant lygaus paviršiaus.
4. Užpildykite baką norimu vandens kiekiu.
5. Išmatuokite rekomenduojamą skystos cheminės medžiagos kiekį.
6. Atsargiai supilkite skystą cheminę medžiagą į baką.
7. Užsukite bako dangtelį atgal ant purkštuvu ir įsitinkite, kad jis gerai priveržtas.

Purškiami tirpalai gali būti iš anksto sumaišyti ir supilti į purkštuvą.

PASTABA: Jei naudojate matavimo indą skysčiui laikyti, būtinai kruopščiai išvalykite ir nuplaukite indą po naudojimo. Jei iš anksto sumaišomas purškiamas tirpalas, išskalaukite maišymui naudojamą indą.

PASTABA: Svarbu kruopščiai išvalyti purkštuvą po kiekvieno naudojimo. Ilgesnį laiką leidžiant skysčiui likti nenaudojamame purkštuve, jo judančios dalys ir jungtys gali užsikimšti.

SUDĖTINĖS BATERIJOS ĮSTATYMAS IR IŠĖMIMAS

Naudokite tik A2 pav. išvardintas EGO sudėtines

LT

baterijas ir įkroviklius.

Daugiau informacijos rasite atitinkamuose sudėtinų baterijų ir įkroviklių vadovuose.

Prieš naudodami akumuliatorių pirmą kartą, visiškai jį įkraukite.

1. Pakelkite akumuliatoriaus skyriaus dangtį pakeldami dangtelio priekį (D1 pav.).
2. Kad įstatytumėte akumuliatorių, sulygiuokite jo iškyšas su tvirtinimo angomis ir spauskite akumuliatorių žemyn, kol iširsite spragtelėjimą (D1 pav.).
3. Norėdami atjungti, paspauskite akumuliatoriaus atleidimo mygtuką ir ištraukite akumuliatorių (D2 pav.).
4. Uždarykite baterijų skyriaus dangtelį.

⚠️ ĮSPĖJIMAS: Prieš nuspausdami baterijos atjungimo mygtuką, visada atkreipkite dėmesį savo kojas, vaikus ar naminius gyvūnus. Iškritusi sudėtinė baterija gali sunkiai sužaloti. NIEKADA nebandykite išimti sudėtinės baterijos dirbdami aukštyje.

⚠️ ĮSPĖJIMAS: Prieš pradėdami darbą įsitikinkite, kad purkštuvo fiksatorius užsifiksavo, akumuliatorius pritvirtintas prie purkštuvo ir akumuliatoriaus skyriaus dangtelis visiškai uždarytas. Jei sudėtinė baterija tinkamai neužfiksuota, ji gali iškristi ir sunkiai sužaloti.

⚠️ ĮSPĖJIMAS: Kad išvengtumėte rimtų sužalojimų, visada išimkite akumuliatorių ir laikykite rankas atokiau nuo valdymo rankenos, kai keliate arba transportuojate purkštuvą.

LT

ANT NUGAROS NEŠIOJAMO PURKŠTUVO PADĖTIES NUSTATYMAS

⚠️ ĮSPĖJIMAS: Tinkamai apsirengkite, kad dirbdami su šiuo prietaisu sumažintumėte susižalojimo riziką. Nedėvėkite laisvų drabužių ir nenešiotkite laisvai kabančių papuošalų. Užsidėkite apsauginius akinius. Mūvėkite tvirtos medžiagos ilgas kelnes ir pirštines, avėkite tinkamus batus. Nedėvėkite trumpų kelnių, sandalų bei nedirbkite basomis.

Prieš naudodami ant nugaros nešiojamą pūstuvą patikrinkite, ar operatorius dėvi apsauginius akinius, dėvi tinkamus drabužius ir gali saugiai ir subalansuotai stovėti.

Laikymo diržų reguliavimas

1. Perkiškite rankas per kuprinės diržus, kad purkštuvą laikytųsi ant nugaros.
2. Laikiniai sureguliuokite pečių diržus į patogią padėtį (E1 pav.) ir įsitikinkite, kad jūsų alkūnė patogioje

padėtyje.

3. Užfiksuokite krūtinės diržo sagtį ir, jei reikia, sureguliuokite krūtinės diržo ilgį (E2 pav.).
4. Užsisekite juosmens sagtį ir susireguliuokite dirželio ilgį taip, kad kuprinė tvirtai remtųsi į jūsų klubus (E3 ir E4 pav.).

PASTABA: Kuprinė neturi būti per aukštai ant nugaros; ji turi būti arčiau klubų, negu pečių.

⚠️ ĮSPĖJIMAS: Atsitikus nelaimei, nedelsdami atleiskite krūtinės ir juosmens sagtis, kad numtumėte kuprinės diržą iš abiejų pusių. Tai greito atlaisvinimo būdas.

5. Iš naujo susireguliuokite pečių diržus, kad pūstuvą laikytųsi tvirtai ir saugiai. Įsitikinkite, kad kuprinė tvirtai remiasi į jūsų nugarą, jos svorį laiko juosmens diržas ir jums judant pūstuvą beveik nejuda ant jūsų nugaros (E5 pav.).
6. Laisvus juosmens dirželio galus abiejose sagties pusėse įkiškite į tamprias kilpas (E6 pav.).
7. Norėdami nusiimti kuprinę nuo nugaros, paspauskite juosmens ir krūtinės sagtis, kad jos atsilaivintų, ir nuleiskite purkštuvą (E7 pav.).

PŪSTUVO PALEIDIMAS / IŠJUNGIMAS (F PAV.)

Greičio reguliavimo ratukas

1. Norėdami padidinti srautą, pasukite greičio ratuką pagal laikrodžio rodyklę.

F-1	Greičio reguliavimo ratukas	F-3	Įjungimo / išjungimo jungiklis
F-2	Užrakinimo svirtis		

2. Norėdami sumažinti srautą, pasukite greičio ratuką prieš laikrodžio rodyklę.
3. Purkštuvą sustos, jei toliau suksite rankenėlę į „OFF“ (išjungimo) padėtį.

⚠️ ĮSPĖJIMAS: Kad išvengtumėte netyčinio paleidimo, pasukite greičio pasirinkimo ratuką į išjungimo padėtį (raudonas taškelis ant ratuko nukreiptas į purkštuvą).

⚠️ ĮSPĖJIMAS: Prieš sandėliuojant įrenginį, paliekant jį ilgesniam laikui arba keičiant akumuliatorių, visada pasukite greičio pasirinkimo ratuką į išjungimo padėtį (raudonas taškelis ant ratuko nukreiptas į purkštuvą).

Įjungimo / išjungimo jungiklis

1. Norėdami įjungti purkštuvą, paspauskite įjungimo /

išjungimo jungiklį.

2. Atleiskite gaiduką, kad sustabdytumėte srautą.

Užrakinimo svirtis

Užrakto svirtis patogi, kai purškiami ilgesnį laiką arba purškiamas didelis plotas.

1. Norėdami užfiksuoti įjungimo / išjungimo jungiklį, paspauskite užrakto svirtelę nuspaudę jungiklį.
2. Norėdami atlaisvinti įjungimo ir išjungimo jungiklį, patraukite fiksavimo svirtį.

PASTABA: Prieš įdėdami akumuliatorių į purkštuvą įsitikinkite, kad jungiklis nėra užfiksuotas.

ANTGALIŲ REGULIAVIMAS IR KEITIMAS

⚠️ ĮSPĖJIMAS: Kad išvengtumėte rimtų sužalojimų, prieš reguliuodami ar keisdami antgalius išimkite sudėtinę bateriją.

Purkštuvus komplektuojamas su keturiais antgaliais: Reguliuojamas antgalis, ventiliatoriaus antgalis, dušo antgalis ir putų antgalis. Prieš pradėdami dirbti, pakeiskite antgalį, kad atitiktų atliekamą užduotį.

Reguliuojamas antgalis (G1 pav.): Taškinis purškimas gėlynuose, pakelėse, privažiavimuose, kiemuose, aplink medžius ir krūmus. Apvadai palei tvorą, važiuojamąsias dalis ir pėsčiųjų takus. Naikinimo šepetys.

Ventiliatoriaus antgalis (G3 pav.): Plokščias purškiklis labai plačiam padengimui ir didesnio klampumo skysčiams. Didelių plotų paruošimas sodinimui.

G-1	Ventiliatoriaus antgalis	G-3	Putų antgalis
G-2	Dušo antgalis		

Dušo antgalis (G3 pav.): Išleidžia didesnį vandens srautą augalams laistyti ir gydyti.

Putų antgalis (G3 pav.): Matomai žymi apdorotas piktžoles. Taškinis piktžolių purškimas vejoje, aplink gėlynus, medžius ir krūmus. Apvadai palei tvorą, važiuojamąsias dalis ir pėsčiųjų takus.

Reguliuojamų antgalių galima reguliuoti srovę ir purškimą (G1 pav.).

1. Pasukite antgalio gumbuatą (tekstūruota) dalį prieš laikrodžio rodyklę, kad srovė tekėtų.
2. Norėdami purkšti, pasukite purkštuko antgalį su gumbuatą (tekstūruota) dalimi pagal laikrodžio rodyklę.

Atsukite visą antgalį prieš laikrodžio rodyklę, kad niumtumėte ir pakeistumėte antgalį (G2 pav.).

Skirtingų su purkštuvu komplektuojamų antgalių srautas:

	Nominalus srautas (l/min)	Maksimalus darbinis slėgis (l/min)	Optimalus darbinis slėgis (l/min)
Reguliuojamas antgalis	2,3	2,7	2,4
Ventiliatoriaus antgalis	2,3	2,7	2,4
Dušo antgalis	2,3	2,9	2,7
Putų antgalis	2,3	2,7	2,4

NAMŲ IR SODO CHEMINIŲ MEDŽIAGŲ PURŠKIMAS (H pav.)

⚠️ ĮSPĖJIMAS: Niekada nenukreipkite purkštuvo antgalio į save ar kitus.

⚠️ ĮSPĖJIMAS: Niekada nerūkykite, nevalgykite ir negerkite naudodami purkštuvą.

⚠️ ĮSPĖJIMAS: Niekada nepurškite žmonių ar gyvūnų kryptimi; visada purškite pavėjui.

⚠️ ĮSPĖJIMAS: Gaisro arba sprogimo pavojus. Purškimo vieta turi būti gerai vėdinama ir atokiau nuo kibirkščių ar liepsnos.

1. Įstatykite sudėtinę bateriją.
2. Pasukite greičio ratuką, kad nustatytumėte norimą srautą.
3. Purkštuvo antgalį nukreipkite tiesiai į augalus ar daiktus, kuriuos norite purkšti.

PASTABA: Būtinai stovėkite pakankamai toli nuo purškiamo objekto, kad purškimas nepatektų atgal ant jūsų.

4. Norėdami paleisti purkštuvą, nuspauskite jungiklį.
5. Norėdami pūstuvą sustabdyti, atleiskite jungiklį.
6. Po kiekvieno naudojimo visada ištuštinkite ir išvalykite baką, kaip nurodyta skyriuje „PRIEŽIŪRA“.

NAUDOJIMO PATARIMAI

- Sureguliuokite diržų petnešas taip, kad purkštuvus būtų aukščiau juosmens, o bakas priglustų prie nugaros.

- Venkite purškimo vėjatomis dienomis. Purškimas gali būti netyčia nupūstas ant augalų ar daiktų, kurių purkšti nereikėtų.
- Purškite anksti ryte arba vėlyvą popietę, ypač šiltesniu oru. Per didelės karštis gali išgarinti purškala dar jam nenusistovėjus.

TECHNINĖ PRIEŽIŪRA

⚠ [SPĖJIMAS]: Vykdydami techninės priežiūros darbus, naudokite tik identiškas atsargines dalis. Naudojant bet kokias kitas dalis, gali kilti pavojus arba sugesti gaminys. Kad būtų užtikrintas saugumas ir patikimumas, visus remonto darbus turi atlikti kvalifikuotas techninės priežiūros specialistas.

⚠ [SPĖJIMAS]: Kad išvengtumėte rimtų sužalojimų, prieš atlikdami techninę priežiūrą, valydami, keisdami antgalius, atlikdami bet kokią techninę priežiūrą arba kai purkštuvus nenaudojamas, išimkite akumuliatorių iš purkštuvo. Akumulatorinis įrankis su įdėta sudėtine baterija yra nuolat prijungtas prie maitinimo įtampos, todėl gali būti atsitiktinai paleistas.

BENDROJI PRIEŽIŪRA

Visus purkštuvo aptarnavimo darbus, išskyrus išvardytus šioje techninės priežiūros instrukcijoje, turi atlikti kvalifikuotas techninės priežiūros specialistas.

VALYMAS

Plastikinių dalių nevalykite tirpikliais. Įvairūs komerciniai tirpikliai gali pažeisti įvairių tipų plastikus ir jų nerekomenduojama naudoti. Purva, dulkes, alyvą, tepalą ir pan. nuvalykite švariu skudurėliu.

⚠ [SPĖJIMAS]: Jokiu būdu neleiskite ant plastikinių dalių patekti stabdžių skysčiui, benzinui, naftos produktams, skvarbiai alyvai ir pan. Chemikalai gali sugadinti, susilpninti arba suardyti plastiką. Dėl to galite sunkiai susižaloti.

⚠ [SPĖJIMAS]: Kai valote purkštuvą, NEMERKITE jo į vandenį ar kitokį skystį.

⚠ [SPĖJIMAS]: Visada tinkamai laikykite ir išmeskite chemines medžiagas. Užteršto skalavimo vandens šalinimas turėtų būti atliekamas pagal vietinius potvarkius ir įstatus.

- Jei po purškimo bako liko skysčio, prieš valydami ištuštinkite baką.

- Norėdami išvalyti bako išorę, visada naudokite tik minkštą, sausą šluostę; niekada nenaudokite ploviklio ar alkoholio.
- Užpildykite baką maždaug trečdaliu švariu vandeniu. Purškite, kol bakas ištuštės. Įsitinkinkite, kad purškimą nukreipiate į vietą, kurios purškiamas tirpalas nepažeis.
- Užpildykite ir pakartokite procedūrą švariu vandeniu. Gali prireikti baką išplauti daugiau nei vieną kartą, tada vėl ištuštinti, kaip nurodyta pirmiau.
- Prieš surenkant ir sandėliuojant įrenginį, leiskite visoms dalims visiškai išdžiūti.

ANTGALIŲ PRIEŽIŪRA

⚠ [SPĖJIMAS]: Užtikrinkite, kad visi antgalių priežiūros darbai būtų atliekami tinkamai, kad būtų išvengta vandens nuotėkio. Dėl pratekėjimo gali susidaryti sliudus paviršius, sukkeliantis paslydimo ir nukritimo pavojų, arba galite sugadinti turtą.

Dėl užsikimšusio arba nešvaraus antgalio gali atsirasti netaisyklingas purškimo būdas arba nuotėkis.

1. Išjunkite purkštuvą ir išimkite sudėtinę bateriją.
2. **Norėdami išvalyti reguliuojamą antgalį (I1 pav.):**
 - a. Atsukite ir nuimkite reguliuojamo antgalio gumuotą (tekstūruotą) dalį.
 - b. Pro kryžmines skylutes prakiškite ploną vielutę (į komplektą neįeina), kad išvalytumėte visas šiukšles. Jei reikia, nuplaukite kryžmines skylės ir antgalį švariu vandeniu.
 - c. Nuvalykite antgalį švariu sausu skudurėliu ir vėl jį įdėkite.
3. **Norėdami išvalyti ventiliatoriaus ir putų antgalį (I2 pav.):**
 - a. Atsukite ir nuimkite antgalį nuo purkštuvo.
 - b. Pro angą prakiškite ploną vielutę (į komplektą neįeina), kad išvalytumėte visas šiukšles. Jei reikia, antgalį nuplaukite švariu vandeniu.
 - c. Nuvalykite antgalį švariu sausu skudurėliu ir vėl jį įdėkite.

TRANSPORTAVIMAS IR LAIKYMAS (J pav.)

- Išimkite sudėtinę bateriją.
- Pasukite greičio pasirinkimo ratuką į išjungimo padėtį (raudonas taškelis ant ratuko nukreiptas į purkštuvą).
- Kruopščiai išvalykite purkštuvą.
- Ištuštinkite baką, žarną ir purkštuvą.

PASTABA: Prieš sandėliavimą, ypač prieš žiemą, į

būtinai ištuštinkite baką, žarną ir purkštuvą, kad įrenginys neužšaltų ir nebūtų sugadintas, dėl ko po žiemojimo jo nepavyks užvesti.

- Įstatykite purkštuvą į pagrindą ir laikymo spaustuką.

J-1	Laikymo spaustukas	J-3	Nešimo rankena
J-2	Pagrindas		

- Pakelkite purkštuvą nešimo rankena arba veždami neškite jį naudodami atraminius diržus.
- Purkšruvą laikykite patalpoje, gerai vėdinamoje vietoje.
- Laikykite toliau nuo šėdinančių medžiagų, pvz., sodo chemikalų ir ledo tirpdyimo druskų.

Aplinkos apsauga



Neišmeskite elektros įrangos, panaudotų baterijų ir įkroviklio kartu su buitinėmis atliekomis!

Šias atliekas reikia pristatyti į jų surinkimo vietą ar įgaliotam perdirbėjui. Elektrinius įrenginius reikia pristatyti į tokių atliekų perdirbimo įmonę.

TRIKČIŲ ŠALINIMAS

PROBLEMA	PRIEŽASTIS	SPRENDIMAS
Neįsijungia purkštuvas.	<ul style="list-style-type: none"> ■ Sudėtinė baterija nepilnai įstatyta į baterijų skyrių. ■ Nėra elektrinio kontakto tarp pūstuvo ir sudėtinės baterijos. ■ Sudėtinė baterija visiškai išsikrovusi. ■ Sudėtinė baterija arba pūstuvus pernelyg įkaitę. 	<ul style="list-style-type: none"> ■ Patikrinkite ar sudėtinė baterija tinkamai įstatyta į baterijų skyrių. ■ Išimkite sudėtinę bateriją, patikrinkite kontaktus ir vėl ją įstatykite. ■ Įkraukite sudėtinę bateriją. ■ Leiskite sudėtinę baterijai arba purkštuvui atvėsti, kol temperatūra nukris iki rekomenduojamos darbinės temperatūros.
Variklis veikia, bet iš antgalio purškimo srovė neatsiranda.	<ul style="list-style-type: none"> ■ Žemas skysčio lygis bake. ■ Eksploatacijos metu antgalis užsikimšo. 	<ul style="list-style-type: none"> ■ Patikrinkite ir įsitikinkite, kad bake yra pakankamai skysčio. ■ Nuvalykite antgalį (-ius) pagal skyriuje „ANTGALIŲ PRIEŽIŪRA“ pateiktus nurodymus ir vėl juos surinkite, kaip nurodyta.
Tarp valdymo rankenos ir purkštuvo yra skysčio nuotėkis.	<ul style="list-style-type: none"> ■ Purkštuvo galinis dangtelis yra laisvas. 	<ul style="list-style-type: none"> ■ Priveržkite galinį dangtelį.
Tarp purkštuvo ir antgalio yra skysčio nuotėkis.	<ul style="list-style-type: none"> ■ Antgalis yra laisvas arba neteisingai sumontuotas. 	<ul style="list-style-type: none"> ■ Tinkamai ir sandariai įdėkite antgalį pagal skyrių „ANTGALIŲ REGULIAVIMAS IR KEITIMAS“.

LT

GARANTIJA

EGO GARANTIJOS Taisyklės

Norėdami sužinoti visas EGO garantijos sąlygas ir nuostatas, apsilankykite interneto svetainėje adresu egopowerplus.eu.

IZLASIET VISUS NORĀDĪJUMUS!



IZLASIET LIETOTĀJA ROKASGRĀMATU

▲ BRĪDINĀJUMS: Lai garantētu drošu un uzticamu instrumenta darbību, visi remontdarbi jāveic kvalificētam servisa speciālistam.

▲ BRĪDINĀJUMS: Pirms šīs instrumenta lietošanas izlasiet un izprotiet visus šajā lietotāja rokasgrāmatā iekļautos drošības norādījumus, tostarp visus drošības brīdinājuma apzīmējumus, piemēram, „**BĪSTAMI**”, „**BRĪDINĀJUMS**” un „**UZMANĪBU**”. Visu turpmāk uzskaitīto norādījumu neievērošana var izraisīt elektriskās strāvas triecienu, aizdegšanos un/ vai smagus miesas bojājumus.

SAGLABĀJIET VISUS BRĪDINĀJUMUS UN INSTRUKCIJAS TURPMĀKAI ATSAUCEI.

DROŠĪBAS APZĪMĒJUMI

▲ BRĪDINĀJUMS: Jebkura elektroinstrumenta lietošanas laikā acis var iekļūt svešķermeņi, kas var radīt smagu acu traumu. Pirms elektroinstrumenta ieslēgšanas vienmēr uzvelciet aizsargbrilles vai aizsargbrilles ar sānu aizsargiem un, ja nepieciešams, pilnu sejas aizsargmasku. Iesakām izmantot aizsargmasku ar plašu skata leņķi, ko uzvelk virs parastajām brillēm, vai arī standarta aizsargbrilles ar sānu aizsargiem.



Drošības brīdinājums



Lai mazinātu traumu rašanās bīstamību, pirms šī izstrādājuma lietošanas tā lietotājam jāizlasa un jāizprot lietotāja rokasgrāmata.



Valkājiet aizsargapgērbi.



Smidzināšanas laikā neļaujiet tuvoties apkārtējām personām.



Valkājiet sejas aizsargmasku.



Šis izstrādājums atbilst piemērojamām EK direktīvām.



Garantētais skaņas intensitātes līmenis. Trokšņa emisija vidē atbilstoši Eiropas Kopienas direktīvai.



Šis izstrādājums atbilst piemērojamiem Apvienotās Karalistes tiesību aktiem.



Elektrisko izstrādājumu atkritumus nedrīkst izmest kopā ar sadzīves atkritumiem. Nogādāt uz pilnvarotu pārstrādes punktu.



Aizsardzība pret ūdens šļakatām



Līdzstrāva

./min. Minūtē



Spriegums



n_0 Apgriezienu skaits bez slodzes



Milimetrs

LV

VISPĀRĪGI DROŠĪBAS BRĪDINĀJUMI

▲ BRĪDINĀJUMS: Izlasiet visus šīs instrumenta dokumentācijā norādītos drošības brīdinājumus, norādījumus, specifiskācijas un aplūkojiet attēlus. Visu turpmāk uzskaitīto norādījumu neievērošana var izraisīt elektriskās strāvas triecienu, aizdegšanos un/vai smagus savainojumus.

Saglabājiet visus brīdinājumus un instrukcijas turpmākai atsaucēi.

Brīdinājumus lietotais termins „instrumenti” attiecas uz elektriski darbināmu instrumentu, kura barošana nodrošina elektrotīkls (ar elektrokabeļi) vai akumulators (bez elektrokabeļa).

DROŠĪBA DARBA ZONĀ

- **Uzturiet darba zonu tīru un labi apgaismotu.**
Nesakārtotā un slikti apgaismotā darba zonā var notikt nelaimes gadījumi.
- **Nedarbiniet instrumentus eksplozīvās vidēs, piemēram, uzliesmojošu šķidrumu, gāzu vai putekļu klātbūtnē.** Instrumenti var radīt dzirksteles, kas var aizdedzināt putekļus vai tvaikus.
- **Neļaujiet bērniem un klātesošajiem atstāties instrumenta tuvumā, kamēr tas darbojas.** Apjukuma brīdī jūs varat zaudēt vadību pār ierīci.

ELEKTRODROŠĪBA

- **Instrumenta kontaktdakšai ir jāatbilst kontaktlīdžai.** Nekad nekādā veidā nepārveidojiet kontaktdakšu. Neizmantojiet adaptera kontaktdakšas kopā ar iezemētiem instrumentiem. Lietojot nepārveidotas kontaktdakšas un atbilstošas kontaktlīdžas, tiek samazināts elektriskās strāvas trieciena risks.
- **Nepieskarieties saņemtajām virsmām, piemēram cauruļvadiem, radiatoriem, plītiem un ledusskapjiem.** Ķermenim saņemējoties, tiek palielināts elektriskās strāvas trieciena risks.
- **Nepakļaujiet instrumentus lietus vai mitru apstākļu iedarbībai.** Instrumentā iekļuvisais ūdens palielina elektriskās strāvas trieciena risku.
- **Nebojājiet strāvas vadu.** Nekādā gadījumā nenesiet, nevelciet vai neatvienojiet instrumentu aiz strāvas vada. Sargājiet strāvas vadu no karstuma, eļļas, asām malām vai kustīgām daļām. Bojāti vai sapinušies strāvas vadi palielina elektriskās strāvas trieciena risku.
- **Strādājot ar instrumentu ārpus telpām, izmantojiet tikai tādas pagarinātājus, kas ir paredzēti lietošanai ārpus telpām.** Āra darbiem paredzēta vadu

pagarinātāja izmantošana samazina elektriskās strāvas trieciena risku.

- **Ja nav iespējams izvairīties no instrumenta izmantošanas mitrā vietā, izmantojiet barošanas sistēmu, kas aizsargāta ar noplūdes strāvas aizsardzības ierīcēm.** Noplūdes strāvas aizsardzības ierīču izmantošana samazina elektriskās strāvas trieciena risku.

PERSONĪGĀ DROŠĪBA

- **Izmantojot instrumentu, esiet modri, sekojiet līdzi savām darbībām un rīkojieties saprātīgi.** Nelietojiet instrumentu, ja esat noguruši vai atrodaties apreibinošu vielu, alkohola vai medikamentu ietekmē. Brīdis neuzmanības, darbojoties ar instrumentiem, var izraisīt smagus savainojumus.
- **Izmantojiet individuālos aizsarglīdzekļus. Vienmēr valkājiet acu aizsarglīdzekļus.** Ja tiek lietots darba specifikai atbilstošs aizsargaprīkojums, piemēram, maska ar putekļu filtru, neslīdoši darba apavi, ķivere vai austiņas, samazinās traumu gūšanas risks.
- **Novērsiet nejausās ieslēgšanās iespējamību.** Pirms instrumenta pievienošanas strāvas avotam un/vai akumulatoru blokam, pacelšanas vai pārnešanas uz citu vietu pārliecinieties, ka slēdzis atrodas izslēgšanas pozīcijā. Pārnēsājot instrumentu ar pirkstu uz slēdža vai iedarbinot instrumentu, kura slēdzis jau ir ieslēgtā pozīcijā, var notikt nelaimes gadījums.
- **Pirms instrumenta ieslēgšanas noņemiet visas regulēšanas vai uzgriežņu atslēgas.** Uzgriežņu vai regulēšanas atslēga, kas palikusi piestiprināta pie instrumenta rotējošās daļas, var radīt savainojumus.
- **Nepārvērtējiet savas spējas.** Iegemiet pareizu stāju un vienmēr saglabājiet līdzsvaru. Tas ļauj labāk kontrolēt instrumentu neparedzētās situācijās.
- **Valkājiet atbilstošu apģērbu.** Nevalkājiet vaļīgu apģērbu vai rotaslietas. Sargājiet matus, apģērbu un cimdus no kustīgajām daļām. Vaļīgs apģērbs, rotaslietas vai gari mati var iekerties instrumenta kustīgajās daļās.
- **Ja ierīces ir paredzētas savienošanai ar putekļu nosūkšanas un savākšanas ierīcēm, pārliecinieties, vai tās ir pieslēgtas un tiek izmantotas pareizi.** Putekļu savākšanas ierīču izmantošana var samazināt ar putekļiem saistītos apdraudējumus.
- **Nepieļaujiet, ka instrumenta bieža lietošana izraisa nevērīgu attieksmi darbā ar to, un neignorējiet ar instrumenta lietošanu saistītos drošības principus.** Viens brīdis neuzmanības var izraisīt nopietnas traumas.

INSTRUMENTA IZMANTOŠANA UN KOPŠANA

- **Nepiespiediet instrumentu ar spēku.** Izmantojiet lietojuma nolūkam atbilstošu instrumentu. Pareizais instruments nodrošinās labākus rezultātus un būs drošāks darba ātrumā, kuram tas ir paredzēts.
- **Nelietojiet instrumentu, ja slēdzis to neieslēdz un neizslēdz.** Instruments, ko nevar ieslēgt un izslēgt ar slēdzi, ir bīstams un jāsalabo.
- **Pirms jebkādu pielāgojumu veikšanas, piederumu maiņas vai instrumenta novietošanas glabāšanā atvienojiet kontaktdakšu no barošanas avota un/vai izņemiet no instrumenta akumulatoru bloku, ja tas ir iespējams.** Šie drošības pasākumi palīdzēs izvairīties no nejausa instrumenta ieslēgšanas riska.
- **Ja instruments kādu laiku netiek lietots, uzglabājiet to bērniem nepieejamā vietā un neļaujiet ar instrumentu darboties personām, kas to nepazīna vai nav izlasījušas šo instrukciju.** Instrumenti ir bīstami, ja ar tiem darbojas neapmācīti lietotāji.
- **Uzturiet instrumentus un piederumus darba kārtībā.** Pārbaudiet, vai kustīgās daļas nav zaudējušas savienojuma precizitāti, vai kāda detaļa nav salūzusi vai nav kāda cita kļūme, kas var ietekmēt instrumenta darbību. Ja ir radušies bojājumi, pirms lietošanas lieciet salabot instrumentu. Daudzus nelaimes gadījumus izraisa slikti uzturēti instrumenti.
- **Griezējinstrumentiem jābūt asiem un tīriem.** Rūpīgi kopti griezējinstrumenti retāk iestrēgst un ir vieglāk vadāmi.
- **Lietojiet instrumentu, tā piederumus un uzgaļus atbilstoši šiem norādījumiem, ņemot vērā darba apstākļus un veicamo uzdevumu.** Instrumenta lietošana neparedzētiem mērķiem var radīt bīstamu situāciju.
- **Rokturiem un satveršanas daļām jābūt sausām, tīrām un uz tām nedrīkst būt eļļa vai smērviela.** Ja rokturi un satveršanas daļas ir mitras, tās novērsīs drošu instrumenta vadāmību un kontroli neparedzētās situācijās.

AR AKUMULATORU DARBINĀMA INSTRUMENTA LIETOŠANA UN KOPŠANA

- **Uzlādējiet instrumentu tikai ar ražotāja noteikto lādētāju.** Lādētājs, kas paredzēts lietošanai tikai ar viena veida akumulatoru bloku, var radīt aizdegšanās draudus, ja to izmanto kopā ar citu akumulatoru bloku.
- **Lietojiet instrumentus kopā tikai ar tiem paredzētiem akumulatoriem.** Jebkura cita akumulatoru bloka lietošana var radīt traumu gūšanas un aizdegšanās risku.

- **Kad akumulatoru bloks netiek izmantots, neglabājiet to citu metāla priekšmetu, piemēram, papīra saspuraužu, monētu, atslēgu, naglu, skrūvju vai citu sīku metāla priekšmetu, kas var veidot savienojumu starp spailēm, tuvumā.** Akumulatora spaiļu īsslēgums var izraisīt aizdegšanos vai ugunsgrēku.
- **Nepareizas rīcības gadījumā no akumulatora var izteciēt šķidrums; izvairieties no saskares ar to.** Ja tas nejausi nokļuvis uz ādas, noskalojiet ar ūdeni. Ja šķidrums iekļuvis acīs, nekavējoties meklējiet medicīnisko palīdzību. No akumulatora izkļušais šķidrums var izraisīt kairinājumu vai apdegumus.
- **Nelietojiet bojātu vai pārveidotu akumulatoru bloku vai instrumentu.** Bojātu vai pārveidotu akumulatoru izmantošana var izraisīt neparedzamus apstākļus, kas rada aizdegšanās, sprādziena vai traumas gūšanas draudus.
- **Nepakļaujiet akumulatoru vai instrumentu uguns liesmu vai pārmērīgas temperatūras iedarbībai.** Uguns liesmu iedarbība vai temperatūra virs 130 °C var izraisīt sprādzienu.
- **Izpildiet visas uzlādēšanas instrukcijas un neuzlādējiet akumulatoru vai instrumentu ārpus instrukcijās norādītajām temperatūras vērtībām.** Ja iekārta tiek uzlādēta nepareizi vai tiek pārsniegtas instrukcijās norādītās uzlādēšanas temperatūras vērtības, akumulators var sabojāties un palielināt aizdegšanās risku.

SERVISS

- **Jūsu instrumenta remontu drīkst veikt tikai kvalificēts speciālists, kas izmanto tikai identiskas rezerves daļas.** Tādējādi tiek saglabāta instrumenta ekspluatācijas drošība.
- **Nekad neveiciet bojātam akumulatoru blokam remontdarbus pašrocīgi.** Bojāta akumulatoru bloka remontdarbus drīkst veikt tikai ražotājs vai pilnvaroti servisa darbinieki.

LV

DROŠĪBAS NORĀDĪJUMI PAR BEZVADU SMIDZINĀTĀJU

⚠ BĪSTAMI: Aizdegšanās vai sprādziena risks. Nesmidziniet uzliesmojošus šķidrumus, piemēram, benzīnu.

⚠ BRĪDINĀJUMS:

- **Lai izvairītos no ievainojumiem, vienmēr valkājiet acu, elpošanas un ādas aizsarglīdzekļus.**

- Lai samazinātu elektriskās strāvas trieciena risku, nepakļaujiet to lietus iedarbībai.
- Tikai lietošanai mājaismniecībā un ārpus telpām.
- Nesmidziniet uzliesmojošus vai degošus šķidrums slēgtā telpā. Izsmidzinot degošu šķidrumu, pastāv aizdegšanās vai sprādziena risks, īpaši slēgtā vietā.
- Smidzināšanas vietai jābūt labi vēdinātai.
- Nesmēķējiet smidzināšanas laikā vai nesmidziniet tur, kur ir dzirksteles vai liesmas.
- Pirms tvertnes uzpildīšanas vienmēr izņemiet akumulatoru bloku. Pirms akumulatoru bloka ievietošanas noslaukiet visus izlijušos šķidrums. Šī noteikuma ievērošana samazinās elektriskās strāvas trieciena risku un korozīvu šķidrumu iekļūšanu akumulatoru blokā, kas var izraisīt akumulatora bloka bojājumus, tostarp īssavienojumu, izraisot dūmus, ugunsgrēku un/vai nopietnus miesas bojājumus.
- Neļaujiet vadītspējīgiem vai korozīviem šķidrumiem iekļūt akumulatoru blokā. Ja uz akumulatoru bloka ir izlijuši vadītspējīgi vai korozīvi šķidrums, skatiet norādījumus akumulatora bloka lietotāja rokasgrāmatā.
- Pirms smidzināšanas materiālu izmantošanas šajā smidzinātājā rūpīgi izlasiet etiķeti uz materiāla oriģinālā iepakojuma un ievērojiet tās norādījumus. Daži smidzināšanas materiāli ir bīstami, un tos nedrīkst izmantot šajā smidzinātājā, jo tie var sabojāt smidzinātāju un izraisīt nopietnus miesas bojājumus vai īpašuma bojājumus.
- Jāzina izsmidzināmās ķīmiskās vielas saturs. Izlasiet visas drošības datu lapas (SDS) un ķīmiskās vielas iepakojuma etiķetes. Ievērojiet ķīmisko vielu ražotāja drošības norādījumus.
- Elektriskās strāvas trieciena risks. Nekad nesmidziniet elektrības kontaktligzdu virzienā.
- Neļējiet tvertnē karstus vai verdošus šķidrums. Tie var vājināt vai sabojāt caurules vai tvertni.
- Izvairieties no smidzināšanas vējinās dienās. Smidzinātāju var nejauši uzpūst uz augiem vai objektiem, kurus nevajadzētu apsmidzināt.
- Uzglabājiet smidzinātāju drošā, labi vēdināmā iekštelpā ar tukšu šķidruma tvertni.
- Nesmidziniet balinātāju vai ūdeņraža peroksīdu.
- Nesmidziniet ķīmiskās vielas uz spirta bāzes.
- Nesmidziniet pulverus vai abrazīvas ķīmiskās vielas.
- Nesmidziniet kodīgus (sārmainus) vai pašsasilstošus šķidrums.
- Nelietojiet videi bīstamas ķīmiskās vielas, kuras nav atļautas saskaņā ar vietējiem noteikumiem.
- Nevērsiet smidzinātāja sprauslu cilvēku vai mājdzīvnieku virzienā.
- Nekad neļaujiet lietot šo ierīci bērniem, personām ar ierobežotām fiziskajām, sensorajām vai garīgajām spējām vai bez pietiekamas pieredzes un zināšanām, vai cilvēkiem, kuri nav iepazinušies ar šīm instrukcijām.
- Operators vai lietotājs ir atbildīgs par nelaimes gadījumiem vai apdraudējumiem, kas var rasties citiem cilvēkiem vai viņu īpašumam.
- Smidzinātāju izmanto tikai kopā ar augu aizsardzības līdzekļiem, ko apstiprinājušas vietējās/valsts regulatīvās iestādes augu aizsardzības līdzekļiem lietošanai ar muguras smidzinātājiem.
- Šķidruma uzsmidzināšanas risks. Nesmidziniet tieši pret ādu. Raugiet, lai ķermeņa daļas neatrodas smidzināšanas zonā.
- Pēc smidzinātāja lietošanas neatstājiet tvertne atlikumus vai izsmidzināšanas materiālu. Notīriet pēc katras lietošanas reizes.
- Lai samazinātu aizdegšanās vai sprādziena risku, izmantojiet šķidrumu, kura uzliesmošanas temperatūra ir augstāka par 60 °C.
- Lai samazinātu elektriskās strāvas trieciena risku, nemērciet smidzinātāju ūdenī vai citā šķidrumā. Nenovietojiet un neuzglabājiet smidzinātāju vietā, no kuras tas var nokrist zemē vai iekrist vannā vai izlietnē.
- Veiciet šī izstrādājuma apkopi. Pirms katras lietošanas reizes rūpīgi pārbaudiet smidzinātāja iekšpusi un ārpusi, kā arī pārbaudiet sastāvdaļas. Pārbaudiet, vai tvertne nav saplaisājusi un bojāta, vai nav noplūdes, aizsērējušas sprauslas un trūkstošas vai bojātas detaļas. Ja ir radušies bojājumi, pirms lietošanas lieciet salabot izstrādājumu. Daudzus nelaimes gadījumus izraisa slikti uzturēti izstrādājumi.
- Pagrieziet strāvas slēdzi izslēgtā stāvoklī, kad smidzinātājs netiek izmantots, kā arī pirms apkopes vai tīrīšanas.
- Pirms smidzinātāja iztukšošanas, tīrīšanas vai uzglabāšanas atvienojiet akumulatoru no ierīces. Šie preventīvie drošības pasākumi palīdz izvairīties no nejaušas iedarbināšanas riska.
- Vienmēr valkājiet acu aizsarglīdzekļus ar sānu aizsargiem vai aizsargbrilles. Pretējā gadījumā šķidrums var iekļūt acīs un radīt nopietnas traumas.
- Aizsargājiet plaušas. Valkājiet apstiprinātu drošības

aprikojumu, piemēram, sejas maskas, kas ir īpaši izstrādātas izsmidzināto vielu filtrēšanai, cimdus un citu piemērotus aizsarglīdzekļus. Ievērojot šo noteikumu, samazināsies risks gūt smagus miesas bojājumus. Ievērojiet ķīmisko vielu ražotāja drošības norādījumus un drošības datu lapā (SDS) uzskaitītās vadlīnijas.

- **Ķīmiskās vielas un ķīmiskie izgarojumi var būt bīstami un izraisīt nopietnus ievainojumus, neatgriezeniskus bojājumus vai nāvi, ja tiek norīti, ieelpoti, nokļūst acīs vai uz ādas.** Ievērojiet ķīmisko vielu ražotāja drošības norādījumus un drošības datu lapā (SDS) uzskaitītās vadlīnijas.
- **Lai samazinātu traumu gūšanas risku, nepieciešama stingra uzraudzība, ja smidzinātājs tiek izmantots bērnu tuvumā.**
- **Nepieskarieties kustīgajām daļām.**
- **Lietojiet tikai tādus piederumus, ko ieteicis vai pārdod ražotājs.**
- **Novērsiet nejaušas ieslēgšanās iespējamību.** Pirms ierīces pievienošanas akumulatoru blokam, pacelšanas vai pārnešanas uz citu vietu pārliecinieties, ka slēdzis atrodas izslēgšanas pozīcijā. Pārnēsājot ierīci ar pirkstu uz slēdža vai iedarbinot ierīci, kuras slēdzis jau ir ieslēgtā pozīcijā, var notikt nelaimes gadījums.

SAGLABĀJIET ŠOS NORĀDĪJUMUS

SPECIFIKĀCIJAS

Nominālais spriegums	56 V
Maks. Tvertnes tilpums	15L
Maks. Darba spiediens	24 bāri
Maks. Smidzināšanas plūsmas ātrums (ar regulējamu sprauslu, smidzināšanas režīmā)	2,3 l/min.
Ieplūdes filtra diametrs	35 mm
Ieplūdes filtra sieta izmērs	0,35 mm
Izplūdes filtra diametrs	124 mm
Svars (sausais svars, bez akumulatoru bloka)	7,6 kg
Ieteicamā darba temperatūra	5 °C - 40 °C
Ieteicamā uzglabāšanas temperatūra	-20 °C - 70 °C
Ieteicamā uzlādes temperatūra	5 °C - 40 °C

⚠ BRĪDINĀJUMS: Pirms mugursomas tipa smidzinātāja lietošanas pārliecinieties, ka tā kopējais svars, ieskaitot instrumentu, šķidrumu tvertnē, izmantoto sprauslu un akumulatoru bloku, nepārsniedz 25 kg, lai izvairītos no traumām un līdzsvara zuduma.

LV

- Norādītā vibrāciju kopējā vērtība ir izmērīta saskaņā ar standarta pārbaudes metodi un var tikt izmantota, lai salīdzinātu vairākus instrumentus.
- Deklarēto vibrāciju emisijas vērtību var arī lietot iepriekšējai vibrāciju iedarbības novērtēšanai.

PIEZĪME: Vibrāciju emisijas faktiskajā elektroinstrumenta darbināšanas laikā var atšķirties no norādītās vērtības. Lai pasargātu operatoru, lietotājam jāvalkā cimdi un dzirdes aizsarglīdzekļi atbilstoši faktiskajiem darba apstākļiem.

IEPAKOJUMA SATURA SARAKSTS (A1 ATTĒLS)

APRAKSTS

PĀRZINIET SAVU SMIDZINĀTĀJU (A1 ATTĒLS)

1. Šjūtene
2. Akumulatoru nodalījums
3. Tvertne
4. Tvertnes vāciņš
5. Pārmēsāšanas rokturis
6. Regulējams atbalsta stiprinājums
7. Ātruma regulēšanas poga
8. Bloķēšanas svira
9. Ieslēgšanas/izslēgšanas slēdzis
10. Vadības rokturis
11. Gala vāciņš
12. Smidzināšanas nūjiņa
13. Regulējama sprausla
14. Ventilatora sprausla
15. Putu veidošanas sprausla
16. Dušveida sprausla

MONTĀŽA

⚠ BRĪDINĀJUMS: Ja kāda daļa ir bojāta vai trūkst, nedarbiniet šo izstrādājumu, kamēr nav nomainīta bojātā daļa. Darbinot šo izstrādājumu ar bojātām vai trūkstošām daļām, varat gūt smagus miesas bojājumus.

⚠ BRĪDINĀJUMS: Nemēģiniet pārveidot šo izstrādājumu vai izveidot piederumus, kas nav ieteicami lietošanai kopā ar šo izstrādājumu. Jebkādi šādi uzlabojumi vai pārveidojumi ir uzskatāmi par neatbilstošiem lietošanai un var radīt bistamus apstākļus, kas var izraisīt smagas traumas.

⚠ BRĪDINĀJUMS: Lai novērstu nejaušu ieslēgšanos, kas var radīt smagas traumas, uzstādot daļas, veicot regulēšanas un tīrīšanas darbus vai arī tad, kad nelietojat instrumentu, vienmēr izņemiet no tā akumulatoru bloku.

- Šis izstrādājums ir jāsamontē.
- Uzmanīgi izņemiet no kārbas izstrādājumu un visus piederumus. Pārbaudiet, vai ir iekļauti visi „iepakojuma sarakstā” minētie priekšmeti.
- Rūpīgi pārbaudiet izstrādājumu, lai pārliecinātos, vai piegādes laikā nav salūzusi vai sabojāta kāda detaļa.
- Neizmetiet iepakojuma materiālu, kamēr neesat rūpīgi pārbaudījis, vai izstrādājums darbojas apmierinoši.
- Ja kāda detaļa ir bojāta vai trūkst, lūdzu, atdodiet precī

iegādes vietā.

SMIDZINĀŠANAS NŪJIŅAS SAVIENOŠANA AR VADĪBAS ROKTURI

1. Uzskrūvējiet smidzināšanas nūjiņas gala vāciņu uz vadības roktura un stingri pievelciet pulksteņa rādītāju kustības virzienā (B attēls).
2. Paveļciet smidzināšanas nūjiņu, lai pārliecinātos, ka tā ir pareizi nostiprināta.

EKSPLUATĀCIJA

⚠ BRĪDINĀJUMS: Saglabājiet modrību visu izstrādājuma lietošanas laiku. Neaizmirstiet, ka pat mīkrlis neuzmanības var izraisīt nopietnu traumu.

⚠ BRĪDINĀJUMS: Lietojiet drošības aprīkojumu. Aizsargājiet acis, ādu un plaušas sajaukšanas, pildīšanas, smidzināšanas un tīrīšanas laikā. Pretējā gadījumā varat tikt gūtas smagas traumas un nodarīti īpašuma bojājumi.

⚠ BRĪDINĀJUMS: Lai izvairītos no smagām traumām, pirms apkopes, tīrīšanas, palīgierīču maiņas, tvertnes uzpildīšanas vai iztukšošanas izņemiet akumulatoru bloku no ierīces.

⚠ BRĪDINĀJUMS: Nelietojiet palīgierīces vai piederumus, ko nav ieteicis šī izstrādājuma ražotājs. Šādu neapstiprinātu palīgierīču vai piederumu lietošana var radīt nopietnus ievainojumus.

Pirms katras lietošanas pārbaudiet visu ierīci, vai tā nav bojāta, vai tai nav trūkstošu vai atskrūvējušos daļu, piemēram, skrūves, uzgriežņi, bultskrūves, vāciņi utt. Stingri pievelciet visus stiprinājumus un vāciņus un nedarbiniet šo ierīci, līdz visas trūkstošās vai bojātās daļas nav nomainītas.

PAREDZĒTĀ LIETOŠANA

Šo izstrādājumu var lietot tālāk norādītajiem mērķiem:

- Mēslošanas līdzekļu lietošana un augu laistīšana.
- Herbicīdu, pesticīdu un fungicīdu izsmidzināšana.

PIEZĪME: Izstrādājums ir paredzēts tikai dārzkopības un lauksaimniecības vajadzībām.

PIEZĪME: Izstrādājumu drīkst izmantot tikai un vienīgi tālāk aprakstītajam mērķim. Izmantošana jebkādā citā veidā ir uzskatāma par neatbilstošu.

⚠ BRĪDINĀJUMS: Nepareiza ķīmisko vielu vai šķīdumu lietošana var izraisīt SMAGAS TRAUMAS vai NĀVI. Ievērojiet ķīmisko vielu ražotāja drošības norādījumus un drošības datu lapā (SDS) uzskaitītās vadlīnijas.

TVERTNES UZPILDĪŠANA (C attēls)

⚠ BRĪDINĀJUMS: Vienmēr ievērojiet uz izstrādājuma etiķetes uzdrukātos ķīmisko vielu ražotāja norādījumus attiecībā uz lietošanu, tīrīšanu un uzglabāšanu. Neapvienojiet ķīmiskās vielas. Pēc katras lietošanas reizes rūpīgi iztīriet tvertni, ievērojot šīs rokasgrāmatas sadaļā „APKOPE” sniegtos norādījumus. Ķīmiskās vielas jāuzglabā bērniem nepieejamā vietā. Pretējā gadījumā varat gūt smagas traumas.

⚠ BRĪDINĀJUMS: Lai izvairītos no traumām un līdzsvara zuduma, pārliecinieties, ka tvertnei pievienotā šķidruma daudzums nepārsniedz 25 kg smidzinātāja kopējo svaru, ieskaitot instrumentu, šķidrumu tvertnē, izmantoto sprauslu un akumulatoru bloku.

Izsmidzināmajām šķidrājām ķīmiskajām vielām jābūt tikpat plānām kā ūdenim. Biezāki šķidrumi netiks pareizi izsmidzināti. Nepārpildiet tvertni.

1. Izņemiet akumulatoru bloku.
2. Atskrūvējiet tvertnes vāciņu pretēji pulksteņa rādītāju kustības virzienam un noņemiet to no tvertnes.
3. Novietojiet smidzinātāju uz līdzsvara virsmas.
4. Piepildiet tvertni ar nepieciešamo ūdens daudzumu.
5. Izmēriet ieteicamo šķidrās ķīmiskās vielas daudzumu.
6. Uzmanīgi ielejiet šķidro ķīmisko vielu tvertnē.
7. Uzskrūvējiet tvertnes vāciņu atpakaļ uz smidzinātāja, pārliecinoties, ka tas ir stingri pievilkt.

Izsmidzināšanas šķīdumus varat iepriekš sajaukt un ieliet smidzinātājā.

PIEZĪME: Ja šķidruma turēšanai izmantojat mērtrauku, pēc lietošanas noteikti rūpīgi notīriet un izskalojiet trauku. Ja iepriekš sajauc izsmidzināšanas šķīdumu, izskalojiet sajaucšanai izmantoto trauku.

PIEZĪME: Pēc katras lietošanas reizes ir svarīgi rūpīgi iztīrīt smidzinātāju. Ņaujot šķidrumam ilgstoši atrasties nestrādājošā smidzinātājā, tā kustīgās daļas un savienotāji var sabojāties.

AKUMULATORU BLOKA IEVIETOŠANA/IZŅEMŠANA

Izmantojiet kopā tikai ar A2 attēlā norādītajiem EGO akumulatoru blokiem un lādētājiem.

Sīkāku informāciju izlasiet attiecīgā akumulatoru bloka un lādētāju rokasgrāmatā.

Pirms pirmās lietošanas reizes akumulators ir pilnībā jāuzlādē.

1. Paceliet akumulatoru nodalījuma vāciņu aiz vāciņa priekšpusēs (D1 attēls).
2. **Lai ievietotu,** novietojiet akumulatora valnišus iepretim uzstādīšanas rievām un spiediet akumulatoru bloku uz leju, līdz dzirdat „klikšķa” skaņu (D1 attēls).
3. **Lai izņemtu,** nospiediet akumulatora atbrīvošanas pogu un izņemiet akumulatoru bloku (D2 attēls).
4. Aizveriet akumulatoru nodalījuma vāciņu.

⚠ BRĪDINĀJUMS: Pirms akumulatora atbrīvošanas pogas nospiešanas vienmēr pārliecinieties, kur atrodas jūsu kājas, bērni vai mājdzīvnieki. Zemē nokritis akumulatoru bloks var izraisīt smagas traumas. NEKĀDĀ GADĪJUMĀ neizņemiet akumulatoru bloku, ja atrodaties augstumā.

⚠ BRĪDINĀJUMS: Pirms darbības uzsākšanas pārliecinieties, vai smidzinātāja fiksators ir nofiksēts vietā, akumulatoru bloks ir piestiprināts pie smidzinātāja, un akumulatora nodalījuma vāciņš ir pilnībā aizvērts. Ja akumulatoru bloks netiek stingri nofiksēts, tas var izkrist, izraisot nopietnus miesas bojājumus.

⚠ BRĪDINĀJUMS: Lai izvairītos no smagām traumām, smidzinātāja pacelšanas vai pārvietošanas laikā vienmēr izņemiet akumulatoru bloku un turiet rokas tālāk no vadības roktura.

MUGURSOMAS TIPĀ SMIDZINĀTĀJA NOVIETOŠANA

⚠ BRĪDINĀJUMS: Ģērbieties atbilstīgi, lai mazinātu traumu gūšanas risku, lietojot šo ierīci. Nevalkājiet vaļīgu apģērbu vai rotaslietas. Valkājiet acu aizsardzības līdzekļus. Valkājiet izturīgas, garas bikses, apavus un cimdus. Nevalkājiet īsās bikses, sandales un nestaigājiet basām kājām.

Pirms mugursomas tipa smidzinātāja lietošanas pārliecinieties, ka operators ir lietojis acu aizsardzības līdzekļus un atbilstošu apģērbu un var droši un līdzsvaroti nostāties uz zemes.

Atbalsta stiprinājuma regulēšana

1. Izvelciet rokas cauri mugursomas siksnām, lai

atbalsītu uz muguras smidzinātāju.

2. Noregulējiet plecu siksnas sev ērtā pozīcijā (E1 attēls) tā, lai jūsu elkonis atrastos ērtā stāvoklī.
3. Nofiksējiet krūškurvja sprādzi un, ja nepieciešams, noregulējiet krūšu siksnas garumu (E2 attēls).
4. Satveriet vidukļa sprādzi un noregulējiet vidukļa siksnas garumu tā, lai mugursoma drošā stāvoklī atbalsītos uz gurniem (E3 un E4 attēls).

PIEZĪME: Mugursomai nav jāatrodas pārāk augstu uz muguras; tai jābūt tuvāk pie gurniem nekā pleciem.

⚠ BRĪDINĀJUMS: Avārijas gadījumā nekavējoties atļaidiet krūšu un jostas sprādzes, lai noņemtu mugursomas siksnu katrā pusē. Šī ir ātras atbrīvošanas metode.

5. Vēlreiz noregulējiet plecu siksnas drošības nolūkam un ērtumam. Mugursomai uz muguras jābūt droši piestiprinātai un vidukļa siksnai ir jāatbalsta tās svars; pārvietošanās laikā neveiciet liekas kustības (E5 attēls).
6. Atlikušos vidukļa siksnas galus ieveriet aiz gumijas uz abām pusēm (E6 attēls).
7. Lai noņemtu mugursomu no muguras, vienkārši nospiediet vidukļa un krūšu sprādzes, lai tās atsprādzētos, un nolaidiet uz leju smidzinātāju (E7 attēls).

SMIDZINĀTĀJA IESLĒGŠANA/IZSLĒGŠANA (F ATTĒLS)

Ātruma regulēšanas poga

1. Lai palielinātu plūsmas ātrumu, pagrieziet ātruma regulēšanas pogu pulksteņa rādītāju kustības virzienā.

F-1	Ātruma regulēšanas poga	F-3	ieslēgšanas/ izslēgšanas slēdzis
F-2	Bloķēšanas svira		

2. Lai samazinātu plūsmas ātrumu, pagrieziet ātruma regulēšanas pogu pretēji pulksteņa rādītāju kustības virzienam.
3. Lai apturētu smidzinātāju, pagrieziet ātruma regulēšanas pogu „izslēgšanas” pozīcijā.

⚠ BRĪDINĀJUMS: Lai novērstu netīšu iedarbināšanu, pagrieziet ātruma regulēšanas pogu izslēgšanas pozīcijā (sarkanais punkts uz regulēšanas pogas ir vērstas uz smidzināšanas nūjiņu).

⚠ BRĪDINĀJUMS: Pirms instrumenta uzglabāšanas, ilgstošas neizmantošanas vai akumulatoru bloka nomaiņas vienmēr pagrieziet ātruma regulēšanas pogu izslēgšanas pozīcijā (sarkanais punkts uz regulēšanas pogas ir vērstas uz smidzināšanas nūjiņu).

Ieslēgšanas/izslēgšanas slēdzis

1. Nospiediet ieslēgšanas/izslēgšanas slēdzi, lai ieslēgtu smidzinātāju.
2. Lai apturētu plūsmu, atļaidiet slēdzi.

Bloķēšanas svira

Bloķēšanas sviru ir ērti izmantot, ja tiek veikta ilgstoša smidzināšana vai aptverta liela platība.

1. Lai bloķētu ieslēgšanas/izslēgšanas slēdzi, pēc slēdža nospiešanas nospiediet bloķēšanas sviru.
2. Lai atbrīvotu ieslēgšanas/izslēgšanas slēdzi, pavelciet bloķēšanas sviru.

PIEZĪME: Pirms akumulatoru bloka ievietošanas smidzinātājā pārliecinieties, ka slēdzis nav bloķēts.

SPRAUSLU REGULĒŠANA UN NOMAIŅA

⚠ BRĪDINĀJUMS: Lai novērstu smagas traumas, pirms sprauslu regulēšanas vai nomaiņas izņemiet akumulatoru bloku.

Smidzinātājam ir četras sprauslas: Regulējama sprausla, ventilatora sprausla, dušveida sprausla un putu veidošanas sprausla. Pirms darba sākšanas nomainiet sprauslu, lai tā atbilstu veicamajam uzdevumam.

Regulējama sprausla (G1 attēls): Lokāla smidzināšana puķu dobēs, gājēju ceļiņos, piebraucamajos ceļos, iekšpagalmos un ap kokiem un krūmiem. Apmāju apsmidzināšana gar žogiem, piebraucamajiem ceļiem un gājēju ceļiņiem. Krūmāju iznīcināšana.

Ventilatora sprausla (G3 attēls): Plakana smidzināšana ļoti plašai pārklāšanai un augstākas viskozitātes šķidrumiem. Lielu platību sagatavošana stādīšanai.

G-1	Ventilatora sprausla	G-3	Putu veidošanas sprausla
G-2	Dušveida sprausla		

LV

Dušveida sprausla (G3 attēls): Izdala lielāku ūdens plūsmu augu laistīšanai un apstrādei.

Putu veidošanas sprausla (G3 attēls): Redzami iezīmē apstrādātās nezāles. Lokāla nezāļu apsmidzināšana zālienā, ap puķu dobēm, kokiem un krūmiem. Apmāļu apsmidzināšana gar žogiem, piebraucamajiem ceļiem un gājēju celiņiem.

Regulējamo sprauslu var regulēt starp strūklū un smidzināšanu (G1 attēls).

1. Pagrieziet sprauslas rievoto (teksturēto) daļu pretēji pulksteņa rādītāju kustības virzienam, lai iegūtu strūklū.
2. Smidzināšanai pagrieziet sprauslas rievoto (teksturēto) daļu pulksteņa rādītāju kustības virzienā.

Atskrūvējiet visu sprauslu pretēji pulksteņa rādītāju kustības virzienam, lai noņemtu un nomainītu sprauslu (G2 attēls).

Dažādu smidzinātāja komplektā iekļauto sprauslu plūsmas ātrums:

	Nominālais plūsmas ātrums (l/min.)	Maksimālais darba spiediens (l/min.)	Optimālais darba spiediens (l/min.)
Regulējama sprausla	2,3	2,7	2,4
Ventilatora sprausla	2,3	2,7	2,4
Dušveida sprausla	2,3	2,9	2,7
Putu veidošanas sprausla	2,3	2,7	2,4

MĀJĀS UN DĀRZĀ LIETOJAMO ĶIMIKĀLIJU SMIDZINĀŠANA (H attēls)

⚠ BRĪDINĀJUMS: Nekad nevērsiet nūjiņas uzgali pret sevi vai citiem.

⚠ BRĪDINĀJUMS: Nekad nesmēķējiet, neēdiet un nedzeriet, darbinot smidzinātāju.

⚠ BRĪDINĀJUMS: Nekad nesmidziniet cilvēku vai dzīvnieku virzienā; vienmēr smidziniet vēja virzienā.

⚠ BRĪDINĀJUMS: Aizdegšanās vai sprādziena risks.

Smidzināšanas zonai jābūt ļoti vēdināmai un jāatrodas tālu no dzirkstelēm vai liesmām.

1. Ievietojiet akumulatoru bloku.
2. Pagrieziet ātruma regulēšanas pogu, lai iestatītu nepieciešamo plūsmas ātrumu.
3. Virziet smidzinātāja sprauslu tieši uz augiem vai objektiem, kurus vēlaties apsmidzināt.

PIEZĪME: Pārliecinieties, ka stāvat pietiekami tālu no apsmidzināmā objekta, lai izsmidzinātais šķidrums neizšļakstītos atpakaļ uz jums.

4. Nospiediet slēdzi, lai iedarbinātu smidzinātāju.
5. Lai apturētu smidzinātāju, atlaidiet slēdzi.
6. Vienmēr iztukšojiet un iztīriet tvertni pēc katras lietošanas reizes, kā norādīts sadaļā „APKOPE”.

PADOMI IERĪCES LIETOŠANĀ

- Noregulējiet stiprinājuma plecu siksnas tā, lai smidzinātājs atrastos virs vidukļa un tvertne būtu tuvu mugurai.
- Izvairieties no smidzināšanas vējinās dienās. Smidzinātāju var nejauši uzpūst uz augiem vai objektiem, kurus nevajadzētu apsmidzināt.
- Smidziniet agri no rīta vai vēlā pēcpusdienā, īpaši siltākā laikā. Pārmērīgs karstums var iztvaicēt izsmidzināmo šķidrumu, pirms tas nosēžas.

APKOPE

⚠ BRĪDINĀJUMS: Veicot apkopi, izmantojiet tikai identiskas rezerves daļas. Jebkuru citu daļu izmantošana var radīt apdraudējumu vai izstrādājuma bojājumus. Lai garantētu drošu un uzticamu instrumenta darbību, visi remontdarbi jāveic kvalificētam servisa speciālistam.

⚠ BRĪDINĀJUMS: Lai izvairītos no smagām traumām, pirms tehniskās apkopes, tīrīšanas, sprauslu nomaiņas, jebkādas apkopes veikšanas vai tad, kad smidzinātājs netiek lietots, izņemiet akumulatoru no smidzinātāja. Ar akumulatoru darbināms smidzinātājs, kurā ir ievietots akumulatoru bloks, vienmēr ir ieslēgts un var nejauši sākt darboties.

VISPĀRĒJĀ APKOPE

Visi smidzinātāja apkopes darbi, izņemot šajos apkopes norādījumos uzskaitītos darbus, jāveic kvalificētam servisa speciālistam.

TĪRĪŠANA

Plastmasas detaļu tīrīšanai neizmantojiet šķīdinātājus.

Vairums plastmasu ir uzņēmīgas pret dažāda veida komerciālu šķīdinātāju radītiem bojājumiem un, tos izmantojot, var tikt sabojātas. Lai notīrītu netīrumus, putekļus, eļļu, smērvielas u.c., izmantojiet tīras lupatīņas.

⚠ BRĪDINĀJUMS: Nekādā gadījumā neļaujiet bremžu šķidrumiem, benzīnam, naftas produktiem, piesūcināšanas eļļām u. tml. vielām nonākt saskarē ar plastmasas detaļām. Ķīmiskās vielas var radīt bojājumus, kā arī mazināt plastmasas detaļu izturību vai iznīcināt tās, kā rezultātā varat gūt smagas traumas.

⚠ BRĪDINĀJUMS: Tīrot smidzinātāju, NEIEMĒRCIET to ūdeni vai kādā citā šķīdumā.

⚠ BRĪDINĀJUMS: Vienmēr uzglabājiet un utilizējiet ķīmiskās vielas pareizi. Piesārņotā skalošanas ūdens iznīcināšana jāveic saskaņā ar vietējiem rīkojumiem un noteikumiem.

- Ja pēc smidzināšanas tvertnē paliek šķidrums, pirms tīrīšanas iztukšojiet tvertni.
- Tvertnes ārpusē tīrīšanai vienmēr izmantojiet tikai mīkstu, sausu drānu; nekad nelietojiet mazgāšanas līdzekli vai spirtu.
- Piepildiet apmēram vienu trešdaļu tvertnes ar tīru ūdeni. Smidziniet, līdz tvertne ir iztukšota. Pārlicinieties, ka smidzināšana ir vēsta uz vietu, kuru izsmidzinātais šķidrums nesabojās.
- Piepildiet atkal ar tīru ūdeni un atkārtojiet procedūru. Var būt nepieciešams izskalot tvertni vairāk nekā vienu reizi, pēc tam atkal iztukšojiet, kā norādīts iepriekš.
- Pirms ierīces atkārtotas salikšanas un uzglabāšanas ļaujiet visām detaļām pilnībā nožūt.

SPRAUSLU APKOPE

⚠ BRĪDINĀJUMS: Lai novērstu ūdens noplūdi, veiciet visus sprauslu apkopes darbus pareizi. Noplūdes rezultātā var rasties slidenas virsmas, kas rada slīdēšanas un kritiena risku vai traumas bojājumus.

Neregulāras smidzināšanas vai noplūdes iemesls var būt aizsērējusi vai netīra sprausla.

1. Izslēdziet smidzinātāju un izņemiet akumulatoru bloku.
2. **Lai iztīrītu regulējamo sprauslu (11 attēls):**
 - a. Atskrūvējiet un noņemiet regulējamās sprauslas rievoto (teksturēto) daļu.
 - b. Izspiediet plānu stiepli (nav iekļauta komplektā) caur šķērscaurumiem, lai notīrītu visus grūzus. Ja nepieciešams, noskalojiet šķērscaurumus un sprauslu ar tīru ūdeni.

c. Noslaukiet sprauslu ar tīru, sausu drānu un atkal uzstādiat sprauslu.

3. Lai iztīrītu ventilatora sprauslu un putu veidošanas sprauslu (12 attēls):

- a. Atskrūvējiet un noņemiet sprauslu no smidzināšanas nūjiņas.
- b. Izspiediet plānu stiepli (nav iekļauta komplektā) caur caurumu, lai notīrītu visus grūzus. Ja nepieciešams, noskalojiet sprauslu ar tīru ūdeni.
- c. Noslaukiet sprauslu ar tīru, sausu drānu un atkal uzstādiat sprauslu.

TRANSPORTĒŠANA UN UZGLABĀŠANA (J attēls)

- Izņemiet akumulatoru bloku.
- Pagrieziet ātruma regulēšanas pogu izslēgšanas pozīcijā (sarkanais punkts uz regulēšanas pogas ir vērst uz smidzināšanas nūjiņu.
- Rūpīgi notīriet smidzinātāju.
- Iztukšojiet tvertni, šūteni un smidzināšanas nūjiņu.

PIEZĪME: Pirms uzglabāšanas, īpaši pirms ziemas sezonas, noteikti iztukšojiet tvertni, šūteni un smidzināšanas nūjiņu, lai novērstu instrumenta aizsalšanu un bojājumus, kas varētu izraisīt tās neiedarbināšanu pēc ziemas sezonas.

- Nostipriniet smidzināšanas nūjiņu pamatnē un uzglabāšanas skavā.

J-1	Uzglabāšanas skava	J-3	Rokturis pārnēsāšanai
J-2	Pamatne		

- Pārvadājot smidzinātāju, paceliet to aiz pārnēsāšanas roktura vai pārnēsājiet to, izmantojot atbalsta stiprinājumu.
- Uzglabājiet smidzinātāju telpās, labi vēdināmā vietā.
- Sargājiet no kodīgām vielām, piemēram, dārzā lietojamajām ķīmikālijām un atledošanas sāls.

Apkārtējās vides aizsardzība



Neutilizējiet elektrisko aprīkojumu, izlietoto akumulatoru un lādētāju sadzīves atkritumos!

Nogādājiet šo izstrādājumu uz pilnvarotu pārstrādes punktu un sagatavojiet atkritumu šķirošanai. Elektriskie instrumenti jānogādā videi nekaitīgā pārstrādes rūpnīcā.

PROBLĒMU MEKLĒŠANA UN NOVĒRŠANA

PROBLĒMA	CĒLONIS	RISINĀJUMS
Smidzinātājs neieslēdzas.	<ul style="list-style-type: none"> ■ Akumulatoru bloks nav pareizi ievietots akumulatora nodalījumā. ■ Starp smidzinātāju un akumulatoru bloku nav elektriskā kontakta. ■ Akumulatoru bloks ir izlādējies. ■ Pārkaršis akumulatoru bloks vai smidzinātājs. 	<ul style="list-style-type: none"> ■ Pārbaudiet, vai akumulatoru bloks ir pilnībā ievietots akumulatora nodalījumā. ■ Izņemiet akumulatoru bloku, pārbaudiet kontaktus un ievietojiet akumulatoru bloku atpakaļ. ■ Uzlādējiet akumulatoru bloku. ■ Izslēdziet smidzinātāju un ļaujiet akumulatoru blokam vai smidzinātājam atdzist, līdz temperatūra nokrītas līdz ieteicamajam darba temperatūras diapazonam.
Motors darbojas, bet no sprauslas netek strūkļa.	<ul style="list-style-type: none"> ■ Zems šķidrums līmenis tvertnē. ■ Darbības laikā sprausla ir aizsērējusi. 	<ul style="list-style-type: none"> ■ Pārbaudiet un pārliecinieties, vai tvertnē ir pietiekami daudz šķidruma. ■ Notīriet sprauslu(-as) atbilstoši sadaļai „SPRAUSLU APKOPE” un atkārtoti salieciet atbilstoši norādījumiem.
Starp vadības rokturi un smidzināšanas nūjiņu ir šķidrums noplūde.	<ul style="list-style-type: none"> ■ Nūjiņas gala vāciņš ir vajāts. 	<ul style="list-style-type: none"> ■ Pievelciet gala vāciņu.
Starp smidzināšanas nūjiņu un sprauslu ir šķidrums noplūde.	<ul style="list-style-type: none"> ■ Sprausla ir vajāta vai nepareizi uzstādīta. 	<ul style="list-style-type: none"> ■ Uzstādiet sprauslu atpakaļ pareizi un cieši atbilstoši sadaļai „SPRAUSLU REGULĒŠANA UN NOMAIŅA”.

GARANTĪJA

EGO GARANTĪJAS POLITIKA

Lūdzam apmeklēt tīmekļa vietni egopowerplus.eu, kur pieejama pilna EGO garantijas politikas noteikumu un nosacījumu versija.

LV

ΔΙΑΒΑΣΤΕ ΟΛΕΣ ΤΙΣ ΟΔΗΓΙΕΣ!



ΔΙΑΒΑΣΤΕ ΤΟ ΕΓΧΕΙΡΙΔΙΟ ΧΡΗΣΗΣ

⚠️ ΠΡΟΕΙΔΟΠΟΙΗΣΗ: Προκειμένου να διασφαλιστεί η ασφάλεια και η αξιοπιστία, όλες οι επισκευές πρέπει να διενεργούνται από εξειδικευμένο τεχνικό του σέρβις.

⚠️ ΠΡΟΕΙΔΟΠΟΙΗΣΗ: Βεβαιωθείτε ότι έχετε διαβάσει και κατανοήσει όλες τις οδηγίες ασφαλείας στο παρόν εγχειρίδιο χρήσης, συμπεριλαμβανομένων όλων των συμβόλων ασφαλείας, όπως «**ΚΙΝΔΥΝΟΣ**», «**ΠΡΟΕΙΔΟΠΟΙΗΣΗ**» και «**ΠΡΟΣΟΧΗ**», προτού χρησιμοποιήσετε αυτό το εργαλείο. Η μη τήρηση όλων των παρακάτω οδηγιών μπορεί να οδηγήσει σε ηλεκτροπληξία, πυρκαγιά και/ή σοβαρό τραυματισμό.

ΦΥΛΑΞΤΕ ΟΛΕΣ ΤΙΣ ΠΡΟΕΙΔΟΠΟΙΗΣΕΙΣ ΚΑΙ ΤΙΣ ΟΔΗΓΙΕΣ ΓΙΑ ΜΕΛΛΟΝΤΙΚΗ ΑΝΑΦΟΡΑ.

ΣΥΜΒΟΛΑ ΑΣΦΑΛΕΙΑΣ

⚠️ ΠΡΟΕΙΔΟΠΟΙΗΣΗ: Η λειτουργία ηλεκτρικών εργαλείων μπορεί να προκαλέσει την εκτόξευση ξένων αντικειμένων στα μάτια σας, με αποτέλεσμα σοβαρό τραυματισμό. Προτού ξεκινήσετε τη χρήση του ηλεκτρικού εργαλείου, φοράτε πάντα προστατευτικά γυαλιά ή γυαλιά με πλευρική προστασία και, εφόσον απαιτείται, πλήρη προστατευτική προσωπίδα. Συνιστούμε μια προσωπίδα ασφαλείας ευρείας όρασης, για χρήση πάνω από γυαλιά ή τα συνήθη προστατευτικά γυαλιά με πλευρική προστασία.



Προειδοποίηση ασφαλείας



Προκειμένου να μειωθεί ο κίνδυνος τραυματισμού, ο χρήστης πρέπει να διαβάσει και να κατανοήσει το εγχειρίδιο χρήσης προτού να χρησιμοποιήσει αυτό το προϊόν.



Φορέστε προστατευτικά ρούχα.



Διατηρείτε μακριά τους παρευρισκόμενους κατά τον ψεκασμό.



Φορέστε προστατευτική προσωπίδα.



Αυτό το προϊόν συμμορφώνεται με τις εφαρμοστές οδηγίες της ΕΚ.



Εγγυημένη στάθμη ακουστικής ισχύος. Εκπομπές θορύβου στο περιβάλλον σύμφωνα με την οδηγία της Ευρωπαϊκής Ένωσης.



Αυτό το προϊόν συμμορφώνεται με την ισχύουσα νομοθεσία του Η.Β.



Τα απόβλητα ειδών ηλεκτρικού και ηλεκτρονικού εξοπλισμού δεν πρέπει να απορρίπτονται στα οικιακά απορρίμματα. Πρέπει να παραδίδονται σε εξουσιοδοτημένη μονάδα ανακύκλωσης.



IPX4 Προστασία από εκτοξευμένο νερό



Συνεχές ρεύμα

./min Ανά λεπτό

V Τάση

n_0 Ταχύτητα χωρίς φορτίο

χιλ. Χιλιστό

ΓΕΝΙΚΕΣ ΠΡΟΕΙΔΟΠΟΙΗΣΕΙΣ ΑΣΦΑΛΕΙΑΣ

▲ ΠΡΟΕΙΔΟΠΟΙΗΣΗ: Μελετήστε όλες τις προειδοποιήσεις ασφάλειας, τις οδηγίες, τις εικόνες και τις προδιαγραφές που συνοδεύουν αυτή τη μηχανή. Εάν δεν τηρηθούν όλες οι οδηγίες που αναφέρονται παρακάτω, μπορεί να προκληθεί ηλεκτροπληξία, πυρκαγιά και/ή σοβαρός τραυματισμός.

Φυλάξτε όλες τις προειδοποιήσεις και τις οδηγίες για μελλοντική αναφορά.

Ο όρος «μηχανή» στις προειδοποιήσεις αναφέρεται στη μηχανή σας που λειτουργεί με ρεύμα (ενσύρματη) ή μπαταρία (ασύρματη).

ΑΣΦΑΛΕΙΑ ΣΤΟ ΧΩΡΟ ΕΡΓΑΣΙΑΣ

- Διατηρείτε το χώρο εργασίας καθαρό και καλά φωτισμένο. Οι ακατάστατοι χώροι και οι χώροι με κακό φωτισμό ενισχύουν την πιθανότητα ατυχημάτων.
- Μην χρησιμοποιείτε μηχανές σε εκρηκτικές ατμόσφαιρες, για παράδειγμα, παρουσία εύφλεκτων υγρών, αερίων ή σκόνης. Οι μηχανές δημιουργούν σπινθήρες που μπορεί να αναφλέξουν σκόνη ή αναθυμιάσεις.
- Διατηρείτε τα παιδιά και τους παρευρισκόμενους μακριά, όταν χρησιμοποιείτε τη μηχανή. Εάν κάτι αποσπάσει την προσοχή σας, μπορεί να χάσετε τον έλεγχο.

ΗΛΕΚΤΡΙΚΗ ΑΣΦΑΛΕΙΑ

- Το φως της μηχανής πρέπει να ταιριάζει στην πρίζα. Μην τροποποιήσετε ποτέ και με κανέναν τρόπο το φως. Μην χρησιμοποιείτε κανενός είδους προσαρμογείς πριζών με γειωμένες μηχανές. Τα μη τροποποιημένα φως και οι κατάλληλες πρίζες μειώνουν τον κίνδυνο ηλεκτροπληξίας.
- Αποφεύγετε την επαφή με γειωμένες επιφάνειες, όπως σωλήνες, θερμαντικά σώματα, εστίες και ψυγεία. Υπάρχει αυξημένος κίνδυνος ηλεκτροπληξίας όταν το σώμα σας είναι γειωμένο.
- Μην εκθέτετε τις μηχανές σε βροχή ή υγρές συνθήκες. Η εισχώρηση νερού στη μηχανή αυξάνει τον κίνδυνο ηλεκτροπληξίας.
- Μην κακομεταχειρίζεστε το καλώδιο. Μην χρησιμοποιείτε ποτέ το καλώδιο για να μεταφέρετε, να τραβήξετε ή να αποσυνδέσετε τη μηχανή από την πρίζα. Διατηρείτε το καλώδιο μακριά από θερμότητα, λάδια, αιχμηρές γωνίες ή κινούμενα εξαρτήματα. Τα κατεστραμμένα ή μπλεγμένα καλώδια αυξάνουν τον κίνδυνο ηλεκτροπληξίας.

- Όταν χρησιμοποιείτε μια μηχανή σε εξωτερικό χώρο, χρησιμοποιείτε καλώδιο προέκτασης κατάλληλο για χρήση σε εξωτερικούς χώρους. Τα καλώδια που είναι κατάλληλα για εξωτερικούς χώρους περιορίζουν τον κίνδυνο ηλεκτροπληξίας.
- Εφόσον δεν μπορείτε να αποφύγετε τη χρήση της μηχανής σε περιοχή με υγρασία, χρησιμοποιείτε τροφοδοσία με διάταξη προστασίας ρεύματος διαρροής (RCD). Η χρήση διάταξης RCD μειώνει τον κίνδυνο ηλεκτροπληξίας.

ΠΡΟΣΩΠΙΚΗ ΑΣΦΑΛΕΙΑ

- Να βρίσκεστε πάντα σε εγρήγορση, να προσέχετε τι κάνετε και να εφαρμόζετε κοινή λογική όταν χρησιμοποιείτε ένα μηχανήμα. Μην χρησιμοποιείτε καμία μηχανή όταν είστε κουρασμένοι ή υπό την επήρεια ναρκωτικών, αλκοόλ ή φαρμάκων. Μια στιγμή απροσεξίας κατά τη χρήση μηχανής μπορεί να οδηγήσει σε σοβαρό τραυματισμό.
- Χρησιμοποιείτε μέσα ατομικής προστασίας. Φοράτε πάντα προστατευτικά για τα μάτια. Η χρήση των κατάλληλων μέσων ατομικής προστασίας, όπως, μάσκας προστασίας από τη σκόνη, αντιβιοσθητικών παπουτσιών ασφαλείας, κράνους ή ωτοασπίδων, μειώνει τον κίνδυνο τραυματισμού.
- Λαμβάνετε μέτρα για να μην ενεργοποιηθεί κατά λάθος η συσκευή. Βεβαιώνετε ότι ο διακόπτης βρίσκεται στη θέση απενεργοποίησης προτού συνδέσετε τη μηχανή στην παροχή ρεύματος ή/και στη συστοιχία μπαταριών, ή όταν σηκώνετε ή μεταφέρετε τη μηχανή. Μην μεταφέρετε τη μηχανή έχοντας το δάκτυλο πάνω στο διακόπτη και μην την συνδέετε στην παροχή ρεύματος με ενεργοποιημένο το διακόπτη, διότι αυξάνεται ο κίνδυνος ατυχήματος.
- Προτού ενεργοποιήσετε τη μηχανή, απομακρύνετε κάθε εργαλείο ή κλειδί ρύθμισης. Εάν το εργαλείο ή το κλειδί ρύθμισης παραμείνει επάνω στο περιστρεφόμενο μέρος της μηχανής, μπορεί να προκληθεί τραυματισμός.
- Μην τεντώνετε υπερβολικά για να πραγματοποιήσετε την εργασία. Πατάτε πάντα σταθερά και διατηρείτε την ισορροπία σας. Έτσι θα ελέγχετε καλύτερα τη μηχανή, σε περίπτωση απροσδόκων καταστάσεων.
- Φοράτε κατάλληλα ρούχα. Μη φοράτε φαρδιά ρούχα ή κοσμήματα. Διατηρείτε τα μαλλιά και τα ρούχα σας μακριά από κινούμενα μέρη. Τα φαρδιά ρούχα, τα κοσμήματα ή τα μακριά μαλλιά ενδέχεται να εμπλακούν σε κινούμενα μέρη.
- Εάν υπάρχει δυνατότητα σύνδεσης συσκευών απομάκρυνσης και συλλογής της σκόνης,

GR

βεβαιωθείτε ότι αυτές οι συσκευές έχουν συνδεθεί και χρησιμοποιούνται σωστά. Αυτές οι συσκευές μπορούν να περιορίσουν τους κινδύνους που σχετίζονται με τη σκόνη.

- **Ακόμα κι εάν χρησιμοποιείτε συχνά μηχανές, μην εφησυχάζετε και μην παραβλέπετε τις βασικές αρχές ασφαλείας.** Μια στιγμή απροσεξίας μπορεί να οδηγήσει σε σοβαρό τραυματισμό.

ΧΡΗΣΗ ΚΑΙ ΦΡΟΝΤΙΔΑ ΜΗΧΑΝΗΣ

- **Μην πιέζετε το μηχανήμα.** Χρησιμοποιήστε τη σωστή μηχανή για την εκάστοτε εργασία. Η εργασία θα πραγματοποιηθεί καλύτερα και ασφαλέστερα εάν χρησιμοποιηθεί η κατάλληλη μηχανή και στην ταχύτητα για την οποία έχει σχεδιαστεί.
- **Μην χρησιμοποιείτε τη μηχανή εάν δεν μπορείτε να την ενεργοποιήσετε και να την απενεργοποιήσετε από το διακόπτη.** Οποιαδήποτε μηχανή δεν μπορεί να ελεγχθεί με το διακόπτη είναι επικίνδυνη και πρέπει να επισκευαστεί.
- **Αποσυνδέετε το φως από την πηγή ρεύματος και/ή αφαιρείτε τη συστοιχία μπαταριών, εφόσον είναι αποσπώμενη, από τη μηχανή προτού κάνετε οποιαδήποτε ρύθμιση, αλλάζετε παρελκόμενα ή αποθηκεύσετε τη μηχανή.** Αυτά τα προληπτικά μέτρα ασφαλείας μειώνουν τον κίνδυνο ακούσιας εκκίνησης της μηχανής.
- **Εφόσον δεν τη χρησιμοποιείτε, αποθηκεύετε τη μηχανή σε σημείο όπου δεν έχουν πρόσβαση τα παιδιά και μην επιτρέπετε σε άτομα που δεν είναι εξοικειωμένα με αυτήν ή με αυτές τις οδηγίες να τη χρησιμοποιήσουν.** Οι μηχανές είναι επικίνδυνες στα χέρια ατόμων που δεν έχουν εκπαιδευτεί στη χρήση τους.
- **Συντήρηση μηχανών και παρελκόμενων.** Ελέγχετε για κακή ευθυγράμμιση ή εμπλοκή των κινούμενων εξαρτημάτων, για σπασμένα εξαρτήματα και για κάθε άλλη κατάσταση που μπορεί να επηρεάσει τη λειτουργία της μηχανής. Σε περίπτωση ζημιάς, επισκευάστε τη μηχανή πριν από τη χρήση. Πολλά ατυχήματα προκαλούνται εξαιτίας πλημμελώς συντηρημένων μηχανών.
- **Διατηρείτε τα εργαλεία κοπής αιχμηρά και καθαρά.** Τα εργαλεία κοπής που έχουν συντηρηθεί σωστά και διαθέτουν αιχμηρές κόψεις είναι λιγότερο πιθανό να μπλοκάρουν, ενώ ο έλεγχός τους είναι ευκολότερος.
- **Χρησιμοποιείτε τη μηχανή, τα παρελκόμενα, τις μύτες, κτλ., σύμφωνα με αυτές τις οδηγίες, λαμβάνοντας υπόψη τις συνθήκες εργασίας και την προς εκτέλεση εργασία.** Η χρήση της μηχανής για σκοπούς διαφορετικούς από τους προβλεπόμενους

μπορεί να οδηγήσει σε επικίνδυνες καταστάσεις.

- **Διατηρείτε τις λαβές και τις επιφάνειες συγκράτησης στεγνές και καθαρές, χωρίς λάδια και γράσα.** Εάν οι λαβές και οι επιφάνειες συγκράτησης είναι ολισθηρές δεν θα μπορείτε να χειριστείτε με ασφάλεια τη μηχανή, ούτε θα μπορείτε να την ελέγξετε σε περίπτωση που προκύψει κάποια απροσδόκητη κατάσταση.

ΧΡΗΣΗ ΚΑΙ ΦΡΟΝΤΙΔΑ ΜΗΧΑΝΗΣ ΜΠΑΤΑΡΙΑΣ

- **Επαναφορτίζετε το ηλεκτρικό εργαλείο μόνο με το φορτιστή που έχει καθορίσει ο κατασκευαστής.** Οι φορτιστές που είναι κατάλληλοι για έναν συγκεκριμένο τύπο συστοιχίας μπαταριών μπορεί να προκαλέσουν πυρκαγιά εάν χρησιμοποιηθούν για κάποιον άλλον τύπο.
- **Χρησιμοποιείτε το μηχανήμα μόνο με τις συστοιχίες μπαταριών που προορίζονται ειδικά για αυτό.** Εάν χρησιμοποιηθεί οποιαδήποτε άλλη συστοιχία μπαταριών, μπορεί να προκληθεί τραυματισμός και πυρκαγιά.
- **Όταν η συστοιχία μπαταριών δεν χρησιμοποιείται, φυλάσσετε την μακριά από μεταλλικά αντικείμενα, όπως, συνδετήρες, κέρματα, κλειδιά, καρφιά, βίδες ή άλλα μικρά μεταλλικά αντικείμενα, τα οποία μπορεί να δημιουργήσουν σύνδεση μεταξύ των ακροδεκτών.** Το βραχυκύκλωμα των ακροδεκτών της συστοιχίας μπαταριών μεταξύ τους ενδέχεται να προκαλέσει εγκαύματα ή πυρκαγιά.
- **Σε συνθήκες κακής χρήσης, μπορεί να διαρρεύσει υγρό από τη συστοιχία μπαταριών.** Αποφύγετε την επαφή με αυτό. Σε περίπτωση τυχαίας επαφής, ξεπλύνετε καλά με νερό. Εάν το υγρό έρθει σε επαφή με τα μάτια, αναζητήστε επιπλέον ιατρική βοήθεια. Το υγρό που διαρρέει από τη συστοιχία μπαταριών μπορεί να προκαλέσει ερεθισμό ή εγκαύματα.
- **Μην χρησιμοποιείτε τη συστοιχία μπαταριών ή τη μηχανή εάν έχουν υποστεί ζημιά ή έχουν τροποποιηθεί.** Οι συστοιχίες μπαταριών που έχουν υποστεί ζημιά ή έχουν τροποποιηθεί μπορεί να έχουν απρόβλεπτη συμπεριφορά και να προκαλέσουν πυρκαγιά, έκρηξη ή τραυματισμό.
- **Μην εκθέτετε τη συστοιχία μπαταριών ή τη μηχανή σε φωτιά ή υπερβολικά υψηλές θερμοκρασίες.** Η έκθεση σε φωτιά ή θερμοκρασία πάνω από 130 °C μπορεί να προκαλέσει έκρηξη.
- **Τηρείτε όλες τις οδηγίες φόρτισης και μη φορτίζετε τη συστοιχία μπαταριών ή τη μηχανή εκτός του εύρους θερμοκρασίας που καθορίζεται στις οδηγίες.** Εάν η φόρτιση δε γίνει σωστά ή πραγματοποιηθεί

σε θερμοκρασία εκτός του καθορισμένου εύρους, η συστοιχία μπαταριών μπορεί να υποστεί ζημιά και να αυξηθεί ο κίνδυνος πυρκαγιάς.

ΣΕΡΒΙΣ

- Το σέρβις της μηχανής σας πρέπει να γίνεται από εξειδικευμένο τεχνικό, χρησιμοποιώντας μόνο όμοια ανταλλακτικά. Αυτό θα διασφαλίσει τη διατήρηση της ασφάλειας του μηχανήματος.
- Μην επιχειρήσετε ποτέ να επισκευάσετε συστοιχία μπαταριών που έχει υποστεί ζημιά. Η συστοιχία μπαταριών πρέπει να επισκευάζεται μόνο από τον κατασκευαστή ή από εξουσιοδοτημένα κέντρα σέρβις.

ΟΔΗΓΙΕΣ ΑΣΦΑΛΕΙΑΣ ΓΙΑ ΤΟΝ ΨΕΚΑΣΤΗΡΑ ΜΠΑΤΑΡΙΑΣ

⚠️ ΚΙΝΔΥΝΟΣ: Κίνδυνος πυρκαγιάς ή έκρηξης. Μην ψεκάζετε εύφλεκτα υγρά όπως βενζίνη.

⚠️ ΠΡΟΕΙΔΟΠΟΙΗΣΗ:

- Προς αποφυγή τραυματισμού φοράτε πάντα προστασία για τα μάτια, την αναπνοή και το δέρμα.
- Για να μειώσετε τον κίνδυνο ηλεκτροπληξίας μην εκθέτετε το εργαλείο στη βροχή.
- Μόνο για οικιακή και εξωτερική χρήση.
- Μην ψεκάζετε εύφλεκτα ή αναφλέξιμα υγρά σε περιορισμένο χώρο. Όταν ένα εύφλεκτο υγρό ψεκάζεται, υπάρχει κίνδυνος πυρκαγιάς ή έκρηξης, ειδικά σε περιορισμένο χώρο.
- Η περιοχή ψεκασμού πρέπει να αερίζεται καλά.
- Μην καπνίζετε κατά τη διάρκεια του ψεκασμού και μην ψεκάζετε όπου υπάρχουν σπινθήρες ή φλόγα.
- Απομακρύνετε πάντα τη συστοιχία μπαταριών πριν την πλήρωση του δοχείου. Σκουπίστε τυχόν διαρροές πριν τοποθετήσετε τη συστοιχία μπαταριών. Τήρηση αυτού του κανόνα έχει ως αποτέλεσμα μείωση του κινδύνου ηλεκτροπληξίας και εισόδου διαβρωτικών υγρών στην συστοιχία μπαταριών που μπορεί να επιφέρει βλάβη σε αυτήν, συμπεριλαμβανομένου βραχυκυκλώματος με αποτέλεσμα καπνό, πυρκαγιά ή/και σοβαρό ατομικό τραυματισμό.
- Μην επιτρέπετε σε αγώγιμα ή διαβρωτικά υγρά να εισχωρήσουν στη συστοιχία μπαταριών. Εάν εισέλθουν αγώγιμα ή διαβρωτικά υγρά στη συστοιχία μπαταριών, ανατρέξτε στις οδηγίες στο εγχειρίδιο χειριστή της συστοιχίας μπαταριών σας.
- Πριν χρησιμοποιήσετε υλικά ψεκασμού σε αυτόν τον ψεκαστήρα, διαβάστε προσεκτικά την ετικέτα στο αρχικό δοχείο του υλικού και ακολουθήστε τις οδηγίες του. Ορισμένα υλικά ψεκασμού είναι επικίνδυνα και δεν πρέπει να χρησιμοποιούνται σε αυτόν τον ψεκαστήρα, καθώς μπορούν να προκαλέσουν ζημιά στον ψεκαστήρα και σοβαρό σωματικό τραυματισμό ή ζημιά στην ιδιοκτησία.
- Πρέπει να γνωρίζετε την χημική ουσία που ψεκάζεται. Διαβάστε όλα τα Δελτία Δεδομένων Ασφαλείας (SDS) και τις ετικέτες των δοχείων που παρέχονται με τη χημική ουσία. Ακολουθήστε τις οδηγίες ασφαλείας του κατασκευαστή χημικής ουσίας.
- Υφίσταται κίνδυνος ηλεκτροπληξίας. Ποτέ μην ψεκάζετε προς πρίζες ηλεκτρικού ρεύματος.
- Μην ρίχνετε ζεστά ή βραστά υγρά στο δοχείο. Αυτά μπορούν να αποδοναμώσουν ή να καταστρέψουν τους σωλήνες ή το δοχείο.
- Αποφεύγετε ψεκασμό σε ημέρες με αέρα. Το σπρέι μπορεί να ψεκαστεί κατά λάθος σε φυτά ή αντικείμενα τα οποία δεν πρέπει να ψεκάζονται.
- Αποθηκεύστε τον ψεκαστήρα σε ασφαλή, καλά αεριζόμενο εσωτερικό χώρο με άδειο το δοχείο υγρού.
- Μην ψεκάζετε χλωρίνη ή υπεροξειδίου του υδρογόνου.
- Μην ψεκάζετε χημικές ουσίες με βάση το αλκοόλ.
- Μην ψεκάζετε σκόνες ή λειαντικά χημικά.
- Μην ψεκάζετε καυστικά (αλκαλικά) ή αυτοθερμαινόμενα υγρά.
- Μην χρησιμοποιείτε περιβαλλοντικά επικίνδυνες χημικές ουσίες που δεν επιτρέπονται όπως ορίζεται από τους τοπικούς κανονισμούς.
- Μην κατευθύνετε το ακροφύσιο του ψεκαστήρα προς την κατεύθυνση ανθρώπων ή κατοικίδιων.
- Ποτέ μην επιτρέπετε σε παιδιά, άτομα με μειωμένες φυσικές, αισθητηριακές ή νοητικές δυνατότητες ή με έλλειψη εμπειρίας και γνώσεων ή σε άτομα μη εξοικειωμένα με αυτές τις οδηγίες, να χρησιμοποιήσουν το μηχάνημα.
- Ο χρήστης είναι αποκλειστικά υπεύθυνος για τυχόν ατυχήματα ή κινδύνους που θα προκύψουν για άλλα άτομα ή την περιουσία τους.
- Ο ψεκαστήρας πρέπει να χρησιμοποιείται μόνο με προϊόντα φυτοπροστασίας εγκεκριμένα από τις τοπικές/εθνικές ρυθμιστικές αρχές για προϊόντα φυτοπροστασίας για χρήση με ψεκαστήρες πλάτης.
- Κίνδυνος έγχυσης. Να μην εξαπολύεται απευθείας στο δέρμα. Διατηρείτε όλα τα μέρη του σώματος εκτός

GR


του εύρους ψεκασμού.

- Μην επιτρέπετε να μένουν υπολείμματα ή υλικό ψεκασμού στο δοχείο μετά τη χρήση του ψεκαστήρα. Καθαρίζετε μετά από κάθε χρήση.
- Για να μειώσετε τον κίνδυνο πυρκαγιάς ή έκρηξης, χρησιμοποιήστε ένα υγρό με σημείο ανάφλεξης υψηλότερο από 60°C.
- Για να μειώσετε τον κίνδυνο ηλεκτροπληξίας, μην τοποθετείτε τον ψεκαστήρα σε νερό ή άλλα υγρά. Μην τοποθετείτε ή αποθηκεύετε τον ψεκαστήρα σε σημεία όπου μπορεί να πέσει ή να τραβηχτεί σε μπανιέρα ή νιπτήρα.
- Συντηρείτε αυτό το προϊόν. Επιθεωρείτε σχολαστικά τόσο το εσωτερικό όσο και το εξωτερικό του ψεκαστήρα και εξετάζετε τα εξαρτήματα πριν από κάθε χρήση. Ελέγχετε εάν το δοχείο είναι ραγισμένο ή φθαρμένο, για διαρροές, ακροφύσια με έμφραξη και για εξαρτήματα που λείπουν ή έχουν ζημιές. Σε περίπτωση ζημιάς, επισκευάστε το προϊόν πριν από τη χρήση. Πολλά ατυχήματα προκαλούνται από κακώς συντηρημένα προϊόντα.
- Γυρίζετε το διακόπτη τροφοδοσίας στη θέση απενεργοποίησης όταν ο ψεκαστήρας δεν χρησιμοποιείται και πριν από τη συντήρηση ή τον καθαρισμό.
- Αποσυνδέστε την μπαταρία από τη μονάδα πριν από την εκκένωση, τον καθαρισμό ή την αποθήκευση του ψεκαστήρα. Αυτά τα προληπτικά μέτρα ασφαλείας μειώνουν τον κίνδυνο τυχαίας εκκίνησης.
- Φοράτε πάντα προστασία για τα μάτια με πλαϊνά προστατευτικά ή ειδικά προστατευτικά γυαλιά. Μη τήρηση μπορεί να επιφέρει είσοδο υγρών στα μάτια σας με αποτέλεσμα πιθανό σοβαρό τραυματισμό.
- Προστατεύετε τους πνευμόνες σας. Φορέστε εγκεκριμένο εξοπλισμό ασφαλείας όπως μάσκες προσώπου που είναι ειδικά σχεδιασμένες για να φιλτράρουν τα ψεκαζόμενα υγρά, γάντια και άλλους κατάλληλους προστατευτικούς εξοπλισμούς. Η τήρηση αυτού του κανόνα θα μειώσει τον κίνδυνο σοβαρού τραυματισμού. Τηρείτε τις οδηγίες ασφαλείας και τις κατευθυντήριες γραμμές του κατασκευαστή χημικών ουσιών που αναφέρονται στο φύλλο SDS.
- Οι χημικές ουσίες και οι χημικοί ατμοί μπορεί να είναι επικίνδυνα και να προκαλέσουν σοβαρούς τραυματισμούς, μόνιμες βλάβες ή θάνατο αν καταποθούν, εισπνευστούν ή εκτοξευθούν στα μάτια ή στο δέρμα. Τηρείτε τις οδηγίες ασφαλείας και τις κατευθυντήριες γραμμές του κατασκευαστή χημικών ουσιών που αναφέρονται στο φύλλο SDS.

- Προκειμένου να μειωθεί ο κίνδυνος τραυματισμού απαιτείται στενή επίβλεψη όταν ο ψεκαστήρας χρησιμοποιείται κοντά σε παιδιά.
- Μην έρχεστε σε επαφή με κινούμενα μέρη.
- Χρησιμοποιείτε μόνο προσαρτήματα που συστήνονται ή πωλούνται από τον κατασκευαστή.
- Λαμβάνετε μέτρα για να μην ενεργοποιηθεί κατά λάθος η συσκευή. Βεβαιωθείτε ότι ο διακόπτης βρίσκεται στη θέση απενεργοποίησης (OFF), πριν να συνδέσετε την συστοιχία μπαταριών, πριν να σηκώσετε ή να μεταφέρετε τη συσκευή. Μη μεταφέρετε τη συσκευή με το δάκτυλο πάνω στο διακόπτη και μην την συνδέετε στην παροχή ρεύματος με ενεργοποιημένο το διακόπτη, διότι αυξάνεται ο κίνδυνος ατυχήματος.

ΦΥΛΑΞΤΕ ΑΥΤΕΣ ΤΙΣ ΟΔΗΓΙΕΣ

ΤΕΧΝΙΚΕΣ ΠΡΟΔΙΑΓΡΑΦΕΣ

Όνομαστική τάση	56 V 
Μέγ. Χωρητικότητα δοχείου	15L
Μέγ. Πίεση λειτουργίας	24 bar
Μέγ. Ρυθμός ροής ψεκασμού (με ρυθμιζόμενο ακροφύσιο, λειτουργία ψεκασμού)	2,3 L/min
Διάμετρος φίλτρου εισόδου	35 mm
Διάσταση πλέγματος φίλτρου εισόδου	0,35 mm
Διάμετρος φίλτρου εξόδου	124 mm
Βάρος (καθαρό βάρος, χωρίς συστοιχία μπαταριών)	7,6 kg
Συνιστώμενη θερμοκρασία λειτουργίας	5°C - 40°C
Συνιστώμενη θερμοκρασία αποθήκευσης	-20°C - 70°C
Συνιστώμενη θερμοκρασία φόρτισης	5°C - 40°C

⚠ ΠΡΟΕΙΔΟΠΟΙΗΣΗ: Πριν χρησιμοποιήσετε έναν ψεκαστήρα πλάτης, βεβαιωθείτε ότι ο συνολικό του βάρος, συμπεριλαμβανομένου του μηχανήματος, του

GR

υγρού στο δοχείο, του ακροφυσίου και της συστοιχίας μπαταριών που χρησιμοποιείται, δεν υπερβαίνει τα 25 κιλά ώστε να αποφύγετε τραυματισμούς και απώλεια ισορροπίας.

- Η δηλωθείσα συνολική τιμή κραδασμών έχει μετρηθεί σύμφωνα με πρότυπη μέθοδο δοκιμής και μπορεί να χρησιμοποιηθεί για τη σύγκριση ενός εργαλείου με κάποιο άλλο.
- Η αναφερόμενη συνολική τιμή κραδασμών μπορεί να χρησιμοποιηθεί επίσης ως προκαταρκτική αξιολόγηση έκθεσης.

ΕΙΔΟΠΟΙΗΣΗ: Η μετάδοση της δόνησης κατά τη διάρκεια της πραγματικής χρήσης του ηλεκτρικού εργαλείου μπορεί να διαφέρει από τη δηλωθείσα τιμή στην οποία χρησιμοποιείται το εργαλείο. Για την προστασία του χειριστή, πρέπει να χρησιμοποιούνται γάντια και ωτοασπίδες υπό πραγματικές συνθήκες χρήσης.

ΚΑΤΑΛΟΓΟΣ ΣΥΣΚΕΥΑΣΙΑΣ (ΕΙΚ. Α1)

ΠΕΡΙΓΡΑΦΗ

ΓΝΩΡΙΣΤΕ ΤΟΝ ΨΕΚΑΣΤΗΡΑ ΣΑΣ (ΕΙΚ. Α1)

1. Εύκαμπτος σωλήνας
2. Θήκη συστοιχίας μπαταριών
3. Δοχείο
4. Καπάκι δοχείου
5. Χειρολαβή μεταφοράς
6. Ρυθμιζόμενος μάντας υποστήριξης
7. Επιλογέας ταχύτητας
8. Μοχλός κλειδώματος
9. Σκανδάλη ενεργοποίησης/απενεργοποίησης
10. Λαβή ελέγχου
11. Τερματικό πώμα
12. Ράβδος ψεκασμού
13. Ρυθμιζόμενο ακροφύσιο
14. Ακροφύσιο βενάλια
15. Ακροφύσιο δημιουργίας αφρού
16. Ακροφύσιο καταιονισμού

ΣΥΝΑΡΜΟΛΟΓΗΣΗ

⚠️ ΠΡΟΕΙΔΟΠΟΙΗΣΗ: Σε περίπτωση που κάποια από τα εξαρτήματα έχουν υποστεί ζημιά ή λείπουν, μη

χρησιμοποιήσετε το προϊόν, μέχρι να αντικατασταθούν. Η χρήση αυτού του προϊόντος με φθαρμένα ή ελλιπή εξαρτήματα μπορεί να έχει ως αποτέλεσμα σοβαρό τραυματισμό.

⚠️ ΠΡΟΕΙΔΟΠΟΙΗΣΗ: Μην επιχειρήσετε να τροποποιήσετε αυτό το προϊόν ή να δημιουργήσετε εξαρτήματα που δεν συνιστώνται για χρήση με αυτό το προϊόν. Κάθε παρόμοια μετατροπή ή τροποποίηση συνιστά κακή χρήση και μπορεί να δημιουργήσει επικίνδυνες καταστάσεις με επακόλουθο τον σοβαρό τραυματισμό.

⚠️ ΠΡΟΕΙΔΟΠΟΙΗΣΗ: Για να εμποδίσετε τυχαία εκκίνηση που θα μπορούσε να προκαλέσει σοβαρό ατομικό τραυματισμό, απομακρύνετε πάντα τη συστοιχία μπαταριών από το μηχάνημα όταν συναρμολογείτε εξαρτήματα, διεξάγετε ρυθμίσεις, καθαρισμό ή σε περίπτωση μη χρήσης.

- Αυτό το προϊόν απαιτεί συναρμολόγηση.
- Αφαιρέστε προσεκτικά το προϊόν και τα εξαρτήματα από το κουτί. Βεβαιωθείτε ότι περιλαμβάνονται όλα τα στοιχεία που αναφέρονται στον «**Κατάλογο συσκευασίας**».
- Επιθεωρήστε προσεκτικά το προϊόν για να βεβαιωθείτε ότι δεν σημειώθηκε θραύση ή ζημιά κατά τη διάρκεια της αποστολής.
- Μην πετάξετε τα υλικά συσκευασίας, μέχρι να ελέγξετε προσεκτικά το προϊόν και να το θέσετε σε λειτουργία.
- Εάν κάποιο εξάρτημα έχει υποστεί ζημιά ή λείπει, παρακαλούμε επιστρέψτε το προϊόν στο κατάστημα αγοράς.

ΣΥΝΔΕΣΗ ΤΗΣ ΡΑΒΔΟΥ ΨΕΚΑΣΜΟΥ ΣΤΗ ΛΑΒΗ ΕΛΕΓΧΟΥ

1. Περάστε το τερματικό καπάκι της ράβδου ψεκασμού επάνω στη λαβή ελέγχου και σφίξτε καλά δεξιόστροφα (Εικ. Β).
2. Τραβήξτε τη ράβδο ψεκασμού για να βεβαιωθείτε ότι έχει ασφαλιστεί σωστά.

ΛΕΙΤΟΥΡΓΙΑ

⚠️ ΠΡΟΕΙΔΟΠΟΙΗΣΗ: Η εξοικείωσή σας με αυτό το προϊόν δε θα πρέπει να σας κάνει λιγότερο προσεκτικούς. Συμμηθείτε πως ένα κλάσμα δευτερολέπτου απροσεξίας μπορεί να προκαλέσει σοβαρό τραυματισμό.

⚠️ ΠΡΟΕΙΔΟΠΟΙΗΣΗ: Χρησιμοποιείτε εξοπλισμό ασφαλείας. Προστατεύετε τα μάτια, το δέρμα και τους

GR

πνεύμονες κατά την ανάμιξη, τον ψεκασμό και τον καθαρισμό. Μη τήρηση της ανωτέρω οδηγίας μπορεί να επιφέρει σοβαρό ατομικό τραυματισμό και ζημιά στην ιδιοκτησία.

⚠️ ΠΡΟΕΙΔΟΠΟΙΗΣΗ: Προς αποφυγή σοβαρού ατομικού τραυματισμού απομακρύνετε τη συστοιχία μπαταριών από τη συσκευή πριν εκτελέσετε συντήρηση, καθαρισμό, αλλαγή προσαρτημάτων, πλήρωση ή εκκένωση του δοχείου.

⚠️ ΠΡΟΕΙΔΟΠΟΙΗΣΗ: Μη χρησιμοποιείτε παρελκόμενα που δεν συνιστώνται από τον κατασκευαστή αυτού του προϊόντος. Η χρήση προσαρτημάτων ή παρελκόμενων που δε συνιστώνται από τον κατασκευαστή, ενέχει τον κίνδυνο σοβαρού τραυματισμού.

Πριν από κάθε χρήση, ελέγχετε πλήρως το προϊόν για φθαρμένα, ελλιπή ή χαλαρά εξαρτήματα, όπως, βίδες, παξιμάδια, μπουλόνια, πώματα, κτλ. Συσφίξτε με ασφάλεια όλους τους σφικτήρες και τα πώματα και μη θέσετε σε λειτουργία το προϊόν προτού να αποκατασταθούν όλα τα ελλιπή ή φθαρμένα εξαρτήματα.

ΠΡΟΒΛΕΠΟΜΕΝΗ ΧΡΗΣΗ

Μπορείτε να χρησιμοποιήσετε αυτό το προϊόν για τους ακόλουθους σκοπούς:

- Εφαρμογή λιπασμάτων και πότισμα φυτών.
- Ψεκασμός ζιζανιοκτόνων, εντομοκτόνων και μυκητοκτόνων.

ΕΙΔΟΠΟΙΗΣΗ: Το προϊόν έχει σχεδιαστεί μόνο για κηπουρική και γεωργική χρήση.

GR

ΕΙΔΟΠΟΙΗΣΗ: Το προϊόν πρέπει να χρησιμοποιείται αποκλειστικά για την προβλεπόμενη χρήση. Οποιαδήποτε άλλη χρήση θα εκληφθεί ως καταχρηστική.

⚠️ ΠΡΟΕΙΔΟΠΟΙΗΣΗ: Η ακατάλληλη εφαρμογή χημικών ή διαλυμάτων μπορεί να οδηγήσει σε ΣΟΒΑΡΟ ΤΡΑΥΜΑΤΙΣΜΟ ή ΘΑΝΑΤΟ. Τηρείτε τις οδηγίες ασφαλείας και τις κατευθυντήριες γραμμές του κατασκευαστή χημικών ουσιών που αναφέρονται στο φύλλο SDS.

ΠΛΗΡΩΣΗ ΤΟΥ ΔΟΧΕΙΟΥ (Εικ. C)

⚠️ ΠΡΟΕΙΔΟΠΟΙΗΣΗ: Πάντα να ακολουθείτε τις οδηγίες του κατασκευαστή χημικών ουσιών που αναγράφονται στην ετικέτα του προϊόντος σχετικά με τη χρήση, τον καθαρισμό και την αποθήκευση. Μην

συνδυάζετε χημικές ουσίες. Καθαρίζετε το δοχείο σχολαστικά μετά από κάθε χρήση, ακολουθώντας τις οδηγίες στην ενότητα «ΣΥΝΤΗΡΗΣΗ» αυτού του εγχειριδίου. Οι χημικές ουσίες πρέπει να αποθηκεύονται εκτός εμβέλειας παιδιών. Σε αντίθετη περίπτωση ενέχει κίνδυνο σοβαρού ατομικού τραυματισμού.

⚠️ ΠΡΟΕΙΔΟΠΟΙΗΣΗ: Προς αποφυγή τραυματισμού και απώλειας της ισορροπίας εξασφαλίζετε ότι η ποσότητα υγρού που προστίθεται στο δοχείο δεν ανέρχεται στο συνολικό βάρος του ψεκαστήρα και συμπεριλαμβανομένου του μηχανήματος, του υγρού στο δοχείο και του ακροφυσίου και της συστοιχίας μπαταριών που χρησιμοποιείται δεν υπερβαίνουν τα 25 κιλά.

Οι υγρές χημικές ουσίες προς ψεκασμό πρέπει να είναι αραιές όπως το νερό. Τα πιο παχύρρευστα υγρά δεν ψεκάζονται σωστά. Μην υπερπληρώνετε το δοχείο.

1. Αφαιρέστε τη συστοιχία μπαταριών.
2. Ξεβιδώστε το καπάκι του δοχείου αριστερόστροφα και αφαιρέστε το από το δοχείο.
3. Τοποθετήστε τον ψεκαστήρα σε επίπεδη επιφάνεια.
4. Γεμίστε το δοχείο με την επιθυμητή ποσότητα νερού.
5. Μετρήστε την προτεινόμενη ποσότητα υγρής χημικής ουσίας.
6. Ρίξτε προσεκτικά την υγρή χημική ουσία μέσα στο δοχείο.
7. Βιδώστε πάλι το καπάκι επάνω στον ψεκαστήρα εξασφαλίζοντας ότι έχει σφικτεί με ασφάλεια.

Μπορείτε να προαναμίξετε τα διαλύματα ψεκασμού και να τα ρίξετε στον ψεκαστήρα.

ΕΙΔΟΠΟΙΗΣΗ: Εάν χρησιμοποιείτε ένα δοχείο μέτρησης για την αποθήκευση του υγρού, βεβαιώστε ότι καθαρίζετε και ξεπλένετε σχολαστικά το δοχείο μετά τη χρήση. Εάν προαναμειγνύετε το διάλυμα ψεκασμού, ξεπλένετε το δοχείο που χρησιμοποιείται για την ανάμιξη.

ΕΙΔΟΠΟΙΗΣΗ: Είναι σημαντικό να καθαρίζετε σχολαστικά τον ψεκαστήρα μετά από κάθε χρήση. Εάν παραμείνει υγρό σε ψεκαστήρα που δεν χρησιμοποιείται για εκταταμένη χρονική περίοδο μπορεί να κολλήσουν τα κινούμενα μέρη και οι συνδετήρες.

ΠΡΟΣΑΡΤΗΣΗ/ΑΠΟΜΑΚΡΥΝΣΗ ΤΗΣ ΣΥΣΤΟΙΧΙΑΣ ΜΠΑΤΑΡΙΩΝ

Να χρησιμοποιείται μόνο με τις συστοιχίες μπαταριών και τους φορτιστές της EGO που αναφέρονται στην Εικ. A2.

Ανατρέξτε στα αντίστοιχα εγχειρίδια των συστοιχιών μπαταριών και των φορτιστών για περισσότερες λεπτομέρειες.

Φορτίστε πλήρως πριν από την πρώτη χρήση.

1. Ανεβάστε το κάλυμμα της θήκης μπαταριών, ανασηκώνοντας το μπροστινό μέρος του καλύμματος (Εικ. D1).
2. **Προσάρτηση:** Ευθυγραμμίστε τις νευρώσεις της συστοιχίας μπαταριών με τις οπές τοποθέτησης και πιέστε τη συστοιχία μπαταριών προς τα κάτω, μέχρι να ακούσετε «κλικ» (Εικ. D1).
3. **Για την αφαίρεση,** πιέστε το κουμπί αποδέσμευσης μπαταρίας και τραβήξτε τη συστοιχία μπαταριών προς τα έξω (Εικ. D2).
4. Κλείστε το κάλυμμα της θήκης μπαταριών.

⚠️ ΠΡΟΕΙΔΟΠΟΙΗΣΗ: Να προσέχετε πάντα την τοποθεσία των ποδιών σας, παιδιών ή κατοικίδιων όταν πιέζετε το κουμπί αποδέσμευσης μπαταρίας. Ενέχει κίνδυνος σοβαρού τραυματισμού σε περίπτωση πτώσης της συστοιχίας μπαταριών. ΠΟΤΕ μην απομακρύνετε τη συστοιχία μπαταριών σε υψηλότερο σημείο.

⚠️ ΠΡΟΕΙΔΟΠΟΙΗΣΗ: Βεβαιωθείτε ότι το κλείστρο στον ψεκαστήρα κουμπώνει στη θέση του, η συστοιχία μπαταριών είναι ασφαλισμένη στον ψεκαστήρα και το κάλυμμα του διαμερίσματος μπαταρίας είναι πλήρως κλειστό πριν ξεκινήσετε τη λειτουργία. Η μη ασφαλής τοποθέτηση της συστοιχίας μπαταριών μπορεί να προκαλέσει πτώση της, με αποτέλεσμα σοβαρό τραυματισμό.

⚠️ ΠΡΟΕΙΔΟΠΟΙΗΣΗ: Προς αποφυγή σοβαρού ατομικού τραυματισμού απομακρύνετε πάντα την συστοιχία μπαταριών και διατηρείτε τα χέρια μακριά από τη λαβή ελέγχου κατά την ανύψωση ή μεταφορά του ψεκαστήρα.

ΤΟΠΟΘΕΤΗΣΗ ΤΟΥ ΨΕΚΑΣΤΗΡΑ ΠΛΑΤΗΣ

⚠️ ΠΡΟΕΙΔΟΠΟΙΗΣΗ: Ντύνεστε κατάλληλα για να μειώσετε τον κίνδυνο τραυματισμού κατά τη λειτουργία αυτής της συσκευής. Μην φοράτε φαρδιά ρούχα ή κοσμήματα. Φοράτε προστατευτικά γυαλιά. Φοράτε βαριά, μακριά παντελόνια, μπότες και γάντια. Μην φοράτε κοντά παντελόνια, σανδάλια και μην είστε ζυπόλυτοι.

Πριν από τη χρήση του ψεκαστήρα πλάτης, βεβαιώνετε ότι ο χειριστής φοράει προστασία για τα μάτια και σωστό ρουχισμό και ότι πατάει με ασφάλεια και διατηρεί την ισορροπία.

Ρύθμιση του ιμάντα υποστηρίξης

1. Τοποθετήστε τους βραχιόνες σας μέσα από τους ιμάντες σακιδίου πλάτης ώστε να υποστηρίξετε τον ψεκαστήρα στην πλάτη σας.
2. Ρυθμίστε προσωρινά και τους δύο ιμάντες ώμου σε άνετη θέση (Εικ. E1), εξασφαλίζοντας ότι ο αγκώνας σας είναι σε άνετη θέση.
3. Κλείστε το κούμπωμα στήθους και ρυθμίστε το μήκος του ιμάντα στήθους εφόσον απαιτείται (Εικ. E2).
4. Ασφαλίστε το κούμπωμα μέσης και ρυθμίστε το μήκος ιμάντα μέσης έτσι ώστε το σακίδιο πλάτης να υποστηρίζεται με ασφάλεια από τους γοφούς σας (Εικ. E3 & E4).

ΣΗΜΕΙΩΣΗ: Η διάταξη πλάτης δεν πρέπει να εδράζεται πολύ ψηλά στην πλάτη σας. Πρέπει να τοποθετείται πιο κοντά στους γοφούς σας παρά στους ώμους σας.

⚠️ ΠΡΟΕΙΔΟΠΟΙΗΣΗ: Σε περίπτωση έκτακτης ανάγκης αποδεσμεύστε τα κουμπώματα στήθους και μέσης αμέσως ώστε να αφαιρέσετε τον ιμάντα διάταξης πλάτης σε κάθε πλευρά. Αυτή είναι μια μέθοδος γρήγορης αποδέσμευσης.

5. Επαναρυθμίστε τους ιμάντες ώμου για ασφάλεια και άνεση. Εξασφαλίστε ότι το σακίδιο πλάτης εδράζεται με ασφάλεια στην πλάτη σας, με το βάρος να υποστηρίζεται από τον ιμάντα μέσης και χωρίς υπερβολική κίνηση όταν μετακινείστε (Εικ. F5).
6. Αυξήστε το μήκος ιμάντα γύρω από τη μέση σας στο ελαστικό τμήμα και στις δύο πλευρές (Εικ. E6).
7. Για να αφαιρέσετε το σακίδιο πλάτης από την πλάτη σας, απλά πιέστε τα κουμπώματα μέσης και στήθους για να τα αποδεσμεύσετε και χαμηλώστε τον ψεκαστήρα (Εικ. E7).

ΕΚΚΙΝΗΣΗ/ΣΤΑΜΑΤΗΜΑ ΤΟΥ ΨΕΚΑΣΤΗΡΑ (ΕΙΚ. F)

GR

Επιλογέας ταχύτητας

1. Για να αυξήσετε την ταχύτητα ροής, γυρίστε το διακόπτη ταχύτητας δεξιόστροφα.

F-1	Επιλογέας ταχύτητας	F-3	Σκανδάλη ενεργοποίησης/ απενεργοποίησης
F-2	Μοχλός κλειδώματος		

2. Για να μειώσετε την ταχύτητα ροής, γυρίστε τον επιλογέα ταχύτητας/ασφάλισης αριστερόστροφα.
3. Ο ψεκαστήρας θα σταματήσει αν συνεχίσετε να γυρίζετε τον επιλογέα στη θέση «OFF».

⚠️ ΠΡΟΕΙΔΟΠΟΙΗΣΗ: Για να αποτρέψετε ακούσια εκκίνηση, γυρίστε το διακόπτη ταχύτητας στη θέση απενεργοποίησης (η κόκκινη κουκκίδα στο διακόπτη δείχνει προς τη ράβδο ψεκασμού).

⚠️ ΠΡΟΕΙΔΟΠΟΙΗΣΗ: Πριν αποθηκεύσετε το μηχάνημα, πριν το αφήσετε για μεγάλο χρονικό διάστημα ή αντικαταστήσετε τη συστοιχία μπαταριών, πάντα γυρίζετε τον δείκτη ταχύτητας στη θέση απενεργοποίησης (η κόκκινη κουκκίδα στον δείκτη δείχνει προς τη ράβδο ψεκασμού).

Σκανδάλη ενεργοποίησης/απενεργοποίησης

1. Πατήστε τη σκανδάλη ενεργοποίησης/ απενεργοποίησης για να ενεργοποιηθείτε τον ψεκαστήρα.
2. Για να σταματήσετε τη ροή, αποδεσμεύστε τη σκανδάλη.

Μοχλός κλειδώματος

Ο μοχλός κλειδώματος είναι βολικός όταν ψεκάζετε για παρατεταμένη χρονική περίοδο ή όταν καλύπτετε μια μεγάλη περιοχή.

1. Για να κλειδώσετε τη σκανδάλη ενεργοποίησης/ απενεργοποίησης, πατήστε το μοχλό κλειδώματος αφού πιέσετε τη σκανδάλη.
2. Για να αποδεσμεύσετε τη σκανδάλη ενεργοποίησης/ απενεργοποίησης, τραβήξτε το μοχλό κλειδώματος.

ΕΙΔΟΠΟΙΗΣΗ: Βεβαιωθείτε ότι η σκανδάλη δεν είναι κλειδωμένη πριν τοποθετήσετε τη συστοιχία μπαταριών στον ψεκαστήρα.

ΡΥΘΜΙΣΗ ΚΑΙ ΑΛΛΑΓΗ ΤΩΝ ΑΚΡΟΦΥΣΙΩΝ

GR

⚠️ ΠΡΟΕΙΔΟΠΟΙΗΣΗ: Για να αποφύγετε σοβαρό ατομικό τραυματισμό, αφαιρέστε τη συστοιχία μπαταριών πριν ρυθμίσετε ή αλλάξετε τα ακροφύσια.

Ο ψεκαστήρας συνοδεύεται από τέσσερα ακροφύσια: Ρυθμιζόμενο ακροφύσιο, ακροφύσιο βεντάλια, ακροφύσιο καταιονισμού και ακροφύσιο δημιουργίας αφρού. Αλλάξτε το ακροφύσιο πριν ξεκινήσετε τη λειτουργία έτσι ώστε να αντιστοιχεί στην εργασία που πρέπει να εκτελέσετε.

Ρυθμιζόμενο ακροφύσιο (Εικ. G1): Σημειακός ψεκασμός σε παρτέρια, διαδρόμους, ιδιωτικούς δρόμους, αυλές και γύρω από δέντρα και θάμνους. Κοπή στις άκρες κατά μήκος φραχτών, διαδρόμων και πεζοδρομίων. Εξάλειψη ζιζανίων.

Ακροφύσιο βεντάλια (Εικ. G3): Επίπεδο ακροφύσιο ψεκασμού για μεγάλη κάλυψη και υγρά υψηλότερου

ισχύδους. Προετοιμασία μεγάλων περιοχών για φύτευση.

G-1	Ακροφύσιο βεντάλια	G-3	Ακροφύσιο δημιουργίας αφρού
G-2	Ακροφύσιο καταιονισμού		

Ακροφύσιο καταιονισμού (Εικ. G3): Έχει μεγαλύτερη ροή νερού για πότισμα και περιποίηση φυτών.

Ακροφύσιο δημιουργίας αφρού (Εικ. G3): Επισημαίνει με ορατό τρόπο ζιζάνια που έχουν υποστεί επεξεργασία. Σημειακός ψεκασμός ζιζανίων στο γκαζόν, γύρω από παρτέρια, δέντρα και θάμνους. Κοπή στις άκρες κατά μήκος φραχτών, διαδρόμων και πεζοδρομίων.

Το ρυθμιζόμενο ακροφύσιο μπορεί να ρυθμιστεί μεταξύ ροής και ψεκασμού (Εικ. G1).

1. Γυρίστε το ραβδωτό (ανάγλυφο) τμήμα του ακροφυσίου αριστερόστροφα για ροή.
2. Γυρίστε το ραβδωτό (ανάγλυφο) τμήμα του ακροφυσίου δεξιόστροφα για ψεκασμό.

Ξεβιδώστε ολόκληρο το ακροφύσιο αριστερόστροφα για να αφαιρέσετε και να αλλάξετε το ακροφύσιο (Εικ. G2).

Ρυθμός ροής διαφορετικών ακροφυσίων που συνοδεύουν τον ψεκαστήρα:

	Ονομαστική ταχύτητα ροής (L/min)	Μέγιστη πίεση λειτουργίας (L/min)	Βέλτιστη πίεση λειτουργίας (L/min)
Ρυθμιζόμενο ακροφύσιο	2,3	2,7	2,4
Ακροφύσιο βεντάλια	2,3	2,7	2,4
Ακροφύσιο καταιονισμού	2,3	2,9	2,7
Ακροφύσιο δημιουργίας αφρού	2,3	2,7	2,4

ΨΕΚΑΣΜΟΣ ΧΗΜΙΚΩΝ ΟΥΣΙΩΝ ΣΕ ΟΙΚΙΕΣ ΚΑΙ ΚΗΠΟΥΣ (Εικ. Η)

⚠️ ΠΡΟΕΙΔΟΠΟΙΗΣΗ: Ποτέ μην στρέψετε το ακροφύσιο της ράβδου προς τον εαυτό σας ή άλλους.

⚠️ ΠΡΟΕΙΔΟΠΟΙΗΣΗ: Ποτέ μην καπνίζετε, τρώτε ή πίνετε ενώ χειρίζεστε τον ψεκαστήρα.

⚠ ΠΡΟΕΙΔΟΠΟΙΗΣΗ: Ποτέ μην ψεκάζετε προς την κατεύθυνση ανθρώπων ή ζώων, πάντα ψεκάζετε προς την κατεύθυνση του ανέμου.

⚠ ΠΡΟΕΙΔΟΠΟΙΗΣΗ: Κίνδυνος πυρκαγιάς ή έκρηξης. Η περιοχή ψεκασμού πρέπει να αερίζεται καλά και να βρίσκεται μακριά από σπινθήρες ή φλόγες.

1. Εγκαταστήστε τη συστοιχία μπαταριών.
2. Γυρίστε τον επιλογέα ταχύτητας για να ρυθμίσετε την επιθυμητή ταχύτητα ροής.
3. Στρέψτε το ακροφύσιο του ψεκαστήρα απευθείας στα φυτά ή τα αντικείμενα που θέλετε να ψεκάσετε.

ΣΗΜΕΙΩΣΗ: Βεβαιωθείτε ότι στέκεστε αρκετά μακριά από το αντικείμενο που ψεκάζεται για να αποτρέψετε πιστόλισμα του ψεκαζόμενου υγρού προς εσάς.

4. Πιέστε τη σκανδάλη για την εκκίνηση του ψεκαστήρα.
5. Για να σταματήσετε τον ψεκαστήρα, αποδεσμεύστε τη σκανδάλη.
6. Αδειάζετε και καθαρίζετε πάντα το δοχείο μετά από κάθε χρήση όπως αναφέρεται στην ενότητα «ΣΥΝΤΗΡΗΣΗ».

ΣΥΜΒΟΥΛΕΣ ΧΡΗΣΗΣ

- Ρυθμίστε τους μίαντες ώμου της ζώνης, έτσι ώστε ο ψεκαστήρας να ακουμπάει επάνω από τη μέση σας και το δοχείο να είναι κοντά προς την πλάτη σας.
- Αποφεύγετε ψεκασμό σε ημέρες με αέρα. Το σπρέι μπορεί να ψεκαστεί κατά λάθος σε φυτά ή αντικείμενα τα οποία δεν πρέπει να ψεκάζονται.
- Ψεκάζετε νωρίς το πρωί ή αργά το απόγευμα, ειδικά σε πιο θερμές καιρικές συνθήκες. Η υπερβολική ζέση μπορεί να προκαλέσει εξάτμιση του ψεκαζόμενου είδους πριν αυτό κατακαθίσει.

ΣΥΝΤΗΡΗΣΗ

⚠ ΠΡΟΕΙΔΟΠΟΙΗΣΗ: Κατά τη συντήρηση του εργαλείου, χρησιμοποιείτε μόνο όμοια ανταλλακτικά. Η χρήση οποιωνδήποτε άλλων εξαρτημάτων μπορεί να προκαλέσει κίνδυνο ή υλικές ζημιές. Προκειμένου να διασφαλιστεί η ασφάλεια και η αξιοπιστία, όλες οι επισκευές πρέπει να διενεργούνται από εξειδικευμένο τεχνικό του σέρβις.

⚠ ΠΡΟΕΙΔΟΠΟΙΗΣΗ: Προς αποφυγή σοβαρού ατομικού τραυματισμού, απομακρύνετε τη συστοιχία μπαταριών από τον ψεκαστήρα πριν από εργασίες συντήρησης, καθαρισμού, αλλαγής ακροφυσίων,

διεξαγωγή συντήρησης ή όταν ο ψεκαστήρας δεν χρησιμοποιείται. Ένας ψεκαστήρας που λειτουργεί με μπαταρία με τοποθετημένη συστοιχία μπαταριών είναι πάντα ενεργός και μπορεί να εκκινήσει τυχαία.

ΓΕΝΙΚΗ ΣΥΝΤΗΡΗΣΗ

Όλες οι εργασίες σέρβις εκτός των αναφερόμενων στις παρούσες οδηγίες συντήρησης πρέπει να διεξάγονται από έναν εξειδικευμένο τεχνικό του σέρβις.

ΚΑΘΑΡΙΣΜΟΣ

Αποφεύγετε τη χρήση διαλυτών κατά τον καθαρισμό των πλαστικών εξαρτημάτων. Τα περισσότερα πλαστικά είναι ευπαθή στη χρήση διαφόρων τύπων διαλυτών του εμπορίου και καταστρέφονται από τη χρήση τους. Χρησιμοποιήστε καθαρό πανί για την απομάκρυνση βρωμιάς, σκόνης, λαδιού, γράσου, κτλ.

⚠ ΠΡΟΕΙΔΟΠΟΙΗΣΗ: Μην επιτρέψετε ποτέ να έρθουν σε επαφή τα πλαστικά εξαρτήματα με υγρά φρένων, βενζίνη, πετρελαϊκά προϊόντα, δεισδυτικά λάδια, κτλ. Τα χημικά μπορούν να φθείρουν, να καταστήσουν εύθραυστα ή να καταστρέψουν τα πλαστικά εξαρτήματα με κίνδυνο σοβαρού τραυματισμού.

⚠ ΠΡΟΕΙΔΟΠΟΙΗΣΗ: Όταν καθαρίζετε τον ψεκαστήρα, ΜΗΝ τον βυθίζετε σε νερό ή άλλα υγρά.

⚠ ΠΡΟΕΙΔΟΠΟΙΗΣΗ: Να αποθηκεύετε και να απορρίπτετε πάντα τις χημικές ουσίες σωστά. Η απόρριψη του μολυσμένου νερού έκπλυσης πρέπει να διεξάγεται σύμφωνα με τις τοπικές διατάξεις και τους κανονισμούς.

- Εάν έχει απομείνει υγρό στο δοχείο μετά τον ψεκασμό, αδειάστε το δοχείο πριν τον καθαρισμό.
- Πάντα να χρησιμοποιείτε μόνο ένα μαλακό, στεγνό πανί για να καθαρίσετε το εξωτερικό του δοχείου. Ποτέ μην χρησιμοποιείτε απορρυπαντικό ή αλκοόλ.
- Γεμίστε το δοχείο περίπου στο ένα τρίτο με καθαρό νερό. Ψεκάστε μέχρι να αδειάσει το δοχείο. Βεβαιωθείτε ότι κατευθύνετε το ψεκαζόμενο είδος προς έναν τομέα στον οποίο δεν πρόκειται να προκληθεί ζημιά από το διάλυμα ψεκασμού.
- Συμπληρώστε και επαναλάβετε τη διαδικασία με καθαρό νερό. Ενδέχεται να πρέπει να ξεπλύνετε το δοχείο περισσότερες από μια φορές, μετά να το αδειάσετε εκ νέου όπως περιγράφηκε παραπάνω.
- Επιτρέψτε όλα τα εξαρτήματα να στεγνώσουν πλήρως πριν επανασυναρμολογήσετε και αποθηκεύσετε τη μονάδα.

ΣΥΝΤΗΡΗΣΗ ΑΚΡΟΦΥΣΙΩΝ

GR

⚠ ΠΡΟΕΙΔΟΠΟΙΗΣΗ: Βεβαιώνεστε ότι η συντήρηση των ακροφυσίων πραγματοποιείται σωστά ώστε να προλαμβάνονται διαρροές νερού. Οι διαρροές μπορεί να δημιουργήσουν ολισθηρή επιφάνεια που ενέχει τον κίνδυνο ολίσθησης και πτώσης ή υλικών ζημιών.

Εάν το ακροφύσιο έχει έμφραξη ή ρύπους το αποτέλεσμα μπορεί να είναι ακανόνιστα μοτίβα ψεκασμού ή διαρροή.

1. Απενεργοποιήστε τον ψεκαστήρα και απομακρύνετε τη συστοιχία μπαταριών.

2. Καθαρισμός του ρυθμιζόμενου ακροφυσίου (Εικ. 11):

α. Ξεβιδώστε και αφαιρέστε το ραβδωτό (ανάγλυφο) τμήμα του ρυθμιζόμενου ακροφυσίου.

β. Ωθήστε ένα λεπτό σύρμα (δεν περιλαμβάνεται) μέσα από τις εγκάρσιες οπές για να καθαρίσετε ενδεχόμενα υπολείμματα. Εάν είναι απαραίτητο, ξεπλύνετε τις εγκάρσιες οπές και το ακροφύσιο με καθαρό νερό.

γ. Σκουπίστε το ακροφύσιο με ένα καθαρό στεγνό πανί και επανεγκαταστήστε το ακροφύσιο.

3. Καθαρισμός του ακροφυσίου βεντάλια και δημιουργίας αφρού (Εικ. 12):

α. Ξεβιδώστε και αφαιρέστε το ακροφύσιο από τη ράβδο ψεκασμού.

β. Ωθήστε ένα λεπτό σύρμα (δεν περιλαμβάνεται) μέσα από την οπή για να απομακρύνετε ενδεχόμενα υπολείμματα. Εάν είναι απαραίτητο, ξεπλύνετε το ακροφύσιο με καθαρό νερό.

γ. Σκουπίστε το ακροφύσιο με ένα καθαρό στεγνό πανί και επανεγκαταστήστε το ακροφύσιο.

ΜΕΤΑΦΟΡΑ ΚΑΙ ΑΠΟΘΗΚΕΥΣΗ (Εικ. J)

- Αφαιρέστε τη συστοιχία μπαταριών.
- Γυρίστε τον επιλογέα ταχύτητας στη θέση απενεργοποίησης (η κόκκινη κουκκίδα στον επιλογέα δείχνει προς τη ράβδο ψεκασμού).
- Καθαρίστε τον ψεκαστήρα σχολαστικά.
- Αδειάστε το δοχείο, τον εύκαμπτο σωλήνα και τη ράβδο ψεκασμού.

ΕΙΔΟΠΟΙΗΣΗ: Πριν από την αποθήκευση, ειδικά πριν τη διαχείριση, βεβαιώνεστε ότι αδειάζετε το δοχείο, τον εύκαμπτο σωλήνα και τη ράβδο ψεκασμού ώστε να εμποδιστεί πάγωμα και ζημιά στο μηχανήμα τα οποία έχουν ως αποτέλεσμα να μην μπορεί να εκκινήσει μετά τη διαχείριση.

- Ασφαλίστε τη ράβδο ψεκασμού στη βάση και στο κλιπ αποθήκευσης.

J-1	Κλιπ αποθήκευσης	J-3	Χειρολαβή μεταφοράς
J-2	Βάση		

- Σηκώστε τον ψεκαστήρα από τη λαβή μεταφοράς ή μεταφέρετέ τον χρησιμοποιώντας τον ιμάντα στήριξης κατά τη μεταφορά του.
- Αποθηκεύστε τον ψεκαστήρα σε εσωτερικό χώρο, σε καλά αεριζόμενο μέρος.
- Να διατηρείται μακριά από διαβρωτικές ουσίες, όπως χημικές ουσίες και άλατα κατά του πάγου.

Προστασία του περιβάλλοντος



Μην απορρίπτετε ηλεκτρικό εξοπλισμό, παλιές μπαταρίες και φορτιστές στα οικιακά απορρίμματα!

Μεταφέρετε αυτό το προϊόν σε εξουσιοδοτημένο κέντρο ανακύκλωσης και παραδώστε το για ξεχωριστή συλλογή. Τα ηλεκτρικά εργαλεία πρέπει να επιστρέφονται σε περιβαλλοντικά συμβατή μονάδα ανακύκλωσης.

ΑΝΤΙΜΕΤΩΠΙΣΗ ΠΡΟΒΛΗΜΑΤΩΝ

ΠΡΟΒΛΗΜΑ	ΑΙΤΙΑ	ΑΝΤΙΜΕΤΩΠΙΣΗ
Ο ψεκαστήρας δεν εκκινείται.	<ul style="list-style-type: none"> ■ Η συστοιχία μπαταριών δεν έχει εισαχθεί πλήρως στο χώρο μπαταρίας. ■ Δεν υπάρχει ηλεκτρική επαφή μεταξύ του ψεκαστήρα και της συστοιχίας μπαταριών. ■ Η συστοιχία μπαταριών έχει αδειάσει. ■ Η συστοιχία μπαταριών ή ο ψεκαστήρας είναι πολύ καυτά. 	<ul style="list-style-type: none"> ■ Ελέγξτε εάν η συστοιχία μπαταριών έχει εισαχθεί πλήρως μέσα στο χώρο μπαταρίας. ■ Απομακρύνετε τη συστοιχία μπαταριών, ελέγξτε τις επαφές και επανεγκαταστήστε τη συστοιχία μπαταριών. ■ Φορτίστε τη συστοιχία μπαταριών. ■ Απενεργοποιήστε τον ψεκαστήρα και επιτρέψτε η συστοιχία μπαταριών ή ο ψεκαστήρας να κρυώσουν μέχρι η θερμοκρασία να πέσει στο προτεινόμενο εύρος θερμοκρασίας λειτουργίας.
Ο κινητήρας λειτουργεί αλλά δεν βγαίνει ψεκαζόμενο υγρό από το ακροφύσιο.	<ul style="list-style-type: none"> ■ Χαμηλή στάθμη υγρού στο δοχείο. ■ Το ακροφύσιο μπλοκαρίστηκε κατά τη διάρκεια της λειτουργίας. 	<ul style="list-style-type: none"> ■ Ελέγξτε και βεβαιωθείτε ότι υπάρχει αρκετό υγρό στο δοχείο. ■ Καθαρίστε το ακροφύσιο (ή τα ακροφύσια) σύμφωνα με το κεφάλαιο «ΣΥΝΤΗΡΗΣΗ ΑΚΡΟΦΥΣΙΩΝ» και επανασυναρμολογήστε σύμφωνα με τις οδηγίες.
Το υγρό διαρρέει από το σημείο μεταξύ της λαβής ελέγχου και της ράβδου.	<ul style="list-style-type: none"> ■ Το τερματικό καπάκι της ράβδου είναι χαλαρό. 	<ul style="list-style-type: none"> ■ Σφίξτε το τερματικό καπάκι.
Το υγρό διαρρέει μεταξύ της ράβδου ψεκασμού και του ακροφυσίου.	<ul style="list-style-type: none"> ■ Το ακροφύσιο είναι χαλαρό ή έχει εγκατασταθεί με λάθος τρόπο. 	<ul style="list-style-type: none"> ■ Επαναποθετήστε το ακροφύσιο σωστά και σφικτά σύμφωνα με το κεφάλαιο «ΡΥΘΜΙΣΗ ΚΑΙ ΑΛΛΑΓΗ ΤΩΝ ΑΚΡΟΦΥΣΙΩΝ».

ΕΓΓΥΗΣΗ

ΠΟΛΙΤΙΚΗ ΕΓΓΥΗΣΗΣ EGO

Επισκεφθείτε την ιστοσελίδα egopowerplus.eu για όλους τους όρους και τις προϋποθέσεις της πολιτικής εγγύησης EGO.

GR

TÜM TALİMATLARI OKUYUN!



KULLANIM KILAVUZUNU OKUYUN

⚠ UYARI: Emniyet ve güvenilirliği sağlamak için tüm tamir işleri yetkili bir servis teknisyeni tarafından yapılmalıdır.

⚠ UYARI: Bu aleti kullanmadan önce "TEHLİKE", "UYARI" ve "DİKKAT" gibi tüm güvenlik uyarı ve sembollerini içeren bu Kullanım Kılavuzundaki tüm güvenlik talimatlarını okuyup anladığınızdan emin olun. Aşağıdaki talimatların tamamına uyulmaması elektrik çarpması, yangın ve/veya ciddi fiziksel yaralanma ile sonuçlanabilir.

TÜM UYARI VE TALİMATLARI GELECEKTE BAŞVURU AMACIYLA MUHAFAZA EDİN.

GÜVENLİK SEMBOLLERİ

⚠ UYARI: Elektrikli aletler kullanılırken yabancı nesnelere gözlerinize fırlayabilir ve bu da gözlerinize ciddi biçimde zarar verebilir. Elektrikli aleti kullanmaya başlamadan önce daima göz koruması veya yan siperleri olan koruyucu gözlük takın ve gerektiğinde tam yüz siperi kullanın. Gözlük üzerinde kullanım için Geniş Görüşlü Güvenlik Maskesi takmanızı veya yan siperleri olan standart koruyucu gözlük takmanızı öneririz.



Güvenlik Uyarısı



Yaralanma riskini azaltmak için kullanıcı bu ürünü kullanmadan önce kullanım kılavuzunu okuyup anlamalıdır.



Koruyucu kıyafet giyin.



Püskürtme yaparken çevredekileri uzak tutun.



Yüz siperi takın.



Bu ürün, yürürlükteki AB yönetmeliklerine uygundur.



Garanti edilen ses gücü seviyesidir. Çevre gürültü emisyonu Avrupa Birliği Yönetmeliği'ne uygundur.



Bu ürün, yürürlükteki Birleşik Krallık yasalarına uygundur.

TR



Atık elektrikli ürünler, evsel atıklar ile birlikte bertaraf edilmemelidir. Yetkili bir geri dönüşüm merkezine teslim edilmelidir.

IPX4

Sıçrayan suya karşı koruma



Doğru Akım

./dk.

Dakika Başına

V

Voltaj

n₀

Yüksüz Hız

mm

Milimetre

GENEL GÜVENLİK UYARILARI

⚠ UYARI: Bu makine ile birlikte verilen tüm güvenlik uyarılarını, talimatları, resimli açıklamaları ve teknik özellikleri okuyun. Aşağıdaki talimatların tamamına uyulmaması elektrik çarpması, yangın ve/veya ciddi yaralanma ile sonuçlanabilir.

Tüm uyarı ve talimatları gelecekte başvuru amacıyla muhafaza edin.

Uyarılarda geçen "makine" terimi, elektrikle çalışan (kablolu) veya akü ile çalışan (kablesiz) makinenizi ifade eder.

ÇALIŞMA ALANI GÜVENLİĞİ

- Çalışma alanını temiz tutun ve yeterli aydınlatma sağlayın. Karişik veya karanlık alanlar kazalara yol açar.
- Makineleri yanıcı sıvıların, gazların veya tozların bulunduğu patlayıcı ortamlarda çalıştırmayın. Makineler, tozları veya dumanları tutuşturabilecek kıvılcımlar oluşturur.
- Bir makineyi kullanırken çocukların ve etraftaki kişilerin makineden uzakta olduğundan emin olun. Dikkatinizin dağılması kontrolü kaybetmenize neden olabilir.

ELEKTRİK GÜVENLİĞİ

- Makine fişleri prize uygun olmalıdır. Fiş üzerinde asla değişiklik yapmayın. Topraklı (topraklamalı) makineler için herhangi bir adaptör fişi kullanmayın. Üzerinde değişiklik yapılmamış fişler ve uygun prizler elektrik çarpması riskini azaltır.
- Boru, radyatör, fırınlı ocak ve buzdolabı gibi topraklanmış yüzeylerle temastan kaçının. Topraklanmış yerlerle temas etmeniz halinde elektrik çarpması riski artar.
- Makineleri yağmura veya ıslak koşullara maruz bırakmayın. Makineye giren su elektrik çarpması riskini artırır.
- Kabloyu hatalı kullanmayın. Kabloyu asla makineyi taşımak, çekmek veya fişi prizden çıkarmak için kullanmayın. Kabloyu sıcaktan, yağdan, keskin kenarlardan veya hareketli parçalardan uzak tutun. Hasarlı veya birbirine dolaşmış kablolar elektrik çarpması riskini artırır.
- Bir makineyi açık havada kullanırken, uygun bir dış mekan uzatma kablosu kullanın. Dış mekan için uygun bir kablunun kullanılması elektrik çarpması riskini azaltır.
- Bir makinenin nemli bir yerde çalıştırılması

gerekliyse kaçak akım rölesi (RCD) korumalı bir kaynak kullanın. RCD (kaçak akım rölesi) kullanımı elektrik çarpması riskini azaltır.

KİŞİSEL GÜVENLİK

- Makineyi kullanırken daima dikkatli olun, yaptığımız işe yoğunlaşın ve sağduyulu davranın. Makineyi yorgunken ya da uyuşturucu, alkol ya da ilaç etkisi altındayken kullanmayın. Makineleri kullanırken bir anlık dikkatsizlik ciddi kişisel yaralanmayla sonuçlanabilir.
- Kişisel koruyucu ekipman kullanın. Daima koruyucu gözlük takın. Koşullara uygun toz maskesi, kaymaz emniyet ayakkabıları, kask veya işitme koruması gibi koruyucu ekipman kullanılması yaralanmaları azaltır.
- Yanlışlıkla çalıştırmaktan kaçının. Makinenin güç kaynağı ve/veya akü/batarya takımı ile bağlantısını yapmadan, kaldırmadan veya taşımadan önce açma/kapatma düğmesinin kapalı olduğundan emin olun. Parmağınız açma/kapatma düğmesinin üzerindeyken veya çalışır haldeyken makineleri taşımak kazalara davetiye çıkarır.
- Makineye takılı herhangi bir alyan veya anahtar varsa makineyi çalıştırmadan önce bunları çıkarın. Makinenin döner parçalarına takılı bir alyan veya anahtar yaralanmalara neden olabilir.
- Dengesiz bir duruşla çalışma yapmayın. Çalışma süresince ayaklarınızı sağlam basın ve dengeyi koruyun. Bu sayede beklenmedik durumlarda makine daha iyi kontrol edilebilir.
- Uygun bir şekilde giyinin. Bol giysiler giymeyin veya takı takmayın. Saçlarınızı ve elbiselerinizi hareketli parçalardan uzak tutun. Bol giysiler, takılar veya uzun saçlar hareketli parçalara takılabilir.
- Toz emme ve toplama araçlarının bağlantısı için sağlanan cihazlar varsa bunların takılı olduğundan ve düzgün bir biçimde kullanıldığında emin olun. Toz toplama araçlarının kullanımı tozdan kaynaklanabilecek tehlikeleri azaltabilir.
- Makineleri sık kullanarak edindiğiniz alışkanlık rahat olmanıza ve makinelerin güvenlik ilkelerini göz ardı etmenize neden olmalıdır. Dikkatsiz bir hareket, bir saniyeden daha kısa bir sürede ağır yaralanmalara neden olabilir.

MAKİNE KULLANIMI VE BAKIMI

- Makineyi zorlamayın. Uygulamanız için doğru makineyi kullanın. Doğru makine, tasarımına uygun değerlerde kullanıldığında daha iyi ve daha güvenli çalışır.
- Açma/kapatma düğmesi çalışmıyorsa makineyi

kullanmayın. Açma/kapama düğmesi ile kontrol edilemeyen bir makine tehlikelidir ve onarılması gerekir.

- Herhangi bir ayar işlemi, aksesuar değişimi veya makinenin depoya kaldırılması öncesinde fişi prizden çekin ve/veya eğer çıkarılabiliyorsa aküyü makineden çıkarın. Bu tür önleyici güvenlik önlemleri, makinenin yanlışlıkla çalışması riskini azaltır.
- Kullanılmayan makineleri çocukların erişemeyeceği bir yerde saklayın ve makine veya bu talimatlar hakkında bilgi sahibi olmayan kişilerin makineyi çalıştırmasına izin vermeyin. Makineler eğitimsiz kullanıcıların elinde tehlikelidir.
- Makinelerin ve aksesuarların bakımını yapın. Hareketli parçaların kusursuz olarak işlev görüp görmediğini ve sıkışıp sıkışmadığını, parçaların hasarlı olup olmadığını ve makinenin çalışmasını etkileyebilecek tüm diğer koşulları kontrol edin. Hasar görmüşse kullanmadan önce makineyi tamir ettirin. Kazaların çoğu, makine bakımının yeterli şekilde yapılmamasından kaynaklanır.
- Kesici aletleri keskin ve temiz tutun. Keskin kesim kenarlarına sahip, bakımı düzgün yapılmış kesim aletleri daha az sorun çıkarır ve kontrolü kolaydır.
- Makineyi, aksesuarlarını ve makine uçlarını vb. çalışma şartlarını ve yapılacak işi dikkate alarak bu talimatlara uygun şekilde kullanın. Makinenin kullanım amacı dışındaki işlerde kullanılması tehlikeli durumlara neden olabilir.
- Tutma saplarını/kollarını ve kavrama yüzeylerini kuru, temiz, benzin ve yağdan uzak tutun. Kaygan tutma kolları ve kavrama yüzeyleri, makinenin beklenmeyen durumlarda güvenli bir şekilde tutulmasına ve kontrol edilmesine izin vermez.

AKÜ İLE ÇALIŞAN MAKİNELERİN KULLANIMI VE BAKIMI

TR

- Sadece üretici tarafından belirtilen şarj cihazı ile şarj edin. Bir akü türü için uygun olan şarj cihazı, başka bir akü ile kullanıldığında yangın riski oluşturabilir.
- Makineleri sadece özel olarak tasarlanan akülerle birlikte kullanın. Başka akü türlerinin kullanımı yaralanma ve yangın tehlikesi oluşturabilir.
- Akü/batarya takımı kullanımda olmadığı durumlarda akü/batarya takımını ataş, bozuk para, anahtar, çivi, vida veya akü/batarya kutupları arasında kısa devre yapabilecek diğer metal nesnelere uzak tutun. Akü kutuplarının kısa devre yapılması yangın veya yanıklara neden olabilir.
- Kötü şartlar altında aküden sıvı akışı olabilir; bu sıvı ile temas etmekten kaçının. Yanlışlıkla temas edilirse etkilenen bölgeyi su ile yıkayın. Sıvı göze

temas ederse ayrıca tıbbi yardım alın. Aküden akan sıvı tahriş veya yanıklara neden olabilir.

- Hasarlı veya üzerinde değişiklik yapılmış bir akü/batarya takımını veya makineyi kullanmayın. Hasarlı veya üzerinde değişiklik yapılmış aküler/bataryalar yangın, patlama veya yaralanma riskine neden olacak şekilde beklenmeyen davranışlar gösterebilir.
- Akü/Batarya takımını veya makineyi ateşe veya aşırı sıcaklıklara maruz bırakmayın. Ateşe veya 130 °C'nin üzerindeki sıcaklıklara maruz kalması patlamaya neden olabilir.
- Tüm şarj talimatlarına uyun ve akü takımını veya makineyi talimatlarda belirtilen sıcaklık aralığının dışındaki sıcaklıklarda şarj etmeyin. Hatalı veya belirtilen sıcaklık aralığının dışındaki sıcaklıklarda şarj etmek, aküye/bataryaya zarar verebilir ve yangın riskini artırır.

SERVİS

- Makinenizi sadece orijinal yedek parça kullanan yetkili bir servis personeline tamir ettirin. Bu sayede makinenin güvenliğinin korunması sağlanır.
- Asla hasarlı akülere bakım-onarım yapmayın. Akülerin/bataryaların bakımı sadece üretici veya yetkili servisler tarafından yapılmalıdır.

AKÜLÜ PÜSKÜRTME/İLAÇLAMA MAKİNESİ İÇİN GÜVENLİK TALİMATLARI

⚠ TEHLİKE: Yangın veya patlama riski. Benzin gibi yanıcı sıvıları püskürtmeyin.

⚠ UYARI:

- Yaralanmayı önlemek için daima göz, solunum ve cilt koruması kullanın.
- Elektrik çarpması riskini azaltmak için yağmura maruz bırakmayın.
- Sadece ev ve dış mekan kullanımı içindir.
- Kapalı bir alana yanıcı veya parlayıcı sıvıları püskürtmeyin. Yanıcı bir sıvının püskürtülmesi durumunda, özellikle kapalı bir alanda yangın veya patlama tehlikesi vardır.
- Püskürtme yapılan alanın iyi havalandırılması gerekir.
- Püskürtme esnasında sigara içmeyin ve kıvılcım veya duman bulunan yerde püskürtme yapmayın.
- Tankı doldurmadan önce daima akü takımını çıkarın. Akü takımını takmadan önce dökülenleri silin.

Bu kurala uyulması, elektrik çarpması ve aşındırıcı sıvıların akü takımına girmesi riskini azaltır; aksi takdirde kısa devre de dahil olmak üzere akü takımının arızalanmasına ve bunun sonucunda duman, yangın ve/veya ciddi yaralanmalara neden olabilir.

- **İletken veya aşındırıcı sıvıların akü takımına girmesine izin vermeyin.** Akü takımının üzerine iletken veya aşındırıcı sıvılar dökülürse akü takımının kullanım kılavuzundaki talimatlara bakın.
- **Püskürtme malzemelerini bu püskürtme/ilaçlama makinesinde kullanmadan önce malzemelerin orijinal ambalajındaki etiketleri dikkatlice okuyun ve üzerindeki talimatları uygulayın.** Bazı püskürtme malzemeleri tehlikelidir ve bu püskürtme/ilaçlama makinesinde kullanılmamalıdır, aksi takdirde makine hasar görebilir ve ciddi yaralanmalar veya maddi hasar meydana gelebilir.
- **Püskürtülen kimyasal malzemenin içeriğini bilin.** Kimyasal malzemelerle birlikte verilen tüm Güvenlik Bilgi Formlarını (SDS) ve muhafaza kabı etiketlerini okuyun. Kimyasal malzeme üreticisinin güvenlik talimatlarını izleyin.
- **Elektrik çarpması tehlikesi.** Asla elektrik prizlerine püskürtme yapmayın.
- **Tanka sıcak veya kaynar sıvıları dökmeyin.** Bu sıvılar boruları veya tankı zayıflatabilir veya hasar verebilir.
- **Rüzgarlı günlerde püskürtme yapmaktan kaçının.** Püskürtülen malzeme yanlışlıkla püskürtülmemesi gereken bitkilere veya cisimlere uçabilir.
- **Püskürtme/ilaçlama makinesini, sıvı tankı boş olacak şekilde güvenli ve iyi havalandırılan bir kapalı alanda depolayın.**
- **Çamaşır suyu veya hidrojen peroksit püskürtmeyin.**
- **Alkol bazlı kimyasalları püskürtmeyin.**
- **Toz halindeki maddeleri veya aşındırıcı kimyasalları püskürtmeyin.**
- **Yakıcı (alkali) veya kendiliğinden ısınan sıvıları püskürtmeyin.**
- **Yerel yönetmeliklerde izin verilmeyen, çevreye zararlı kimyasalları kullanmayın.**
- **Püskürtme başlığını insanlara veya evcil hayvanlara doğru tutmayın.**
- **Çocukların, fiziksel duyu kaybı veya zihinsel yetenekleri zayıf veya tecrübe ve bilgi yetersizliği olan kişilerin veya kullanma talimatları hakkında yeterli bilgiye sahip olmayanların makineyi kullanmasına asla izin vermeyin.**
- **Operatör veya kullanıcı, diğer kişilerin ya da diğer kişilere ait eşyaların başına gelebilecek yaralanma**

veya hasarlardan sorumludur.


- **Bu püskürtme/ilaçlama makinesi yalnızca sırt tipi püskürtme/ilaçlama makineleriyle kullanıma yönelik bitki koruma ürünlerine ilişkin yerel/ulusal düzenleyici makamlarca onaylanmış bitki koruma ürünleriyle birlikte kullanılmalıdır.**
- **Enjeksiyon riski.** Doğrudan cilde temas ettirmeyin. Vücudunuzun tüm kısımlarını püskürtme alanının dışında tutun.
- **Püskürtme/ilaçlama makinesini kullandıktan sonra tankta kalıntı veya püskürtme malzemesi bırakmayın.** Her kullanımdan sonra temizleyin.
- **Yangın veya patlama riskini azaltmak için parlama noktası 60°C'den yüksek olan bir sıvı kullanın.**
- **Elektrik çarpması riskini azaltmak için püskürtme/ilaçlama makinesini suya veya başka bir sıvıya sokmayın.** Püskürtme/ilaçlama makinesini küvete veya lavaboya düşebileceği veya içine çekilebileceği bir yere koymayın veya bu tip yerlerde depolamayın.
- **Bu ürünün bakımını yapın.** Her kullanımdan önce püskürtme/ilaçlama makinesinin hem içini hem de dışını iyice inceleyin ve parçalarını kontrol edin. Çatlak ve yıpranmış tank, sızıntı, tıkalı başlıklar ve eksik veya hasarlı parçalar olup olmadığını kontrol edin. Hasar varsa kullanmadan önce ürünü tamir ettirin. Birçok kaza, ürünlerin bakımının kötü yapılmasından kaynaklanmaktadır.
- **Püskürtme/ilaçlama makinesini kullanmadığınız zamanlarda ve bakım veya temizlik yapmadan önce açma kapatma düğmesini kapalı konuma getirin.**
- **Püskürtme/ilaçlama makinesini boşaltmadan, temizlemeden veya depoya kaldırmadan önce aküyü üniteden ayırın.** Bu tür önleyici güvenlik önlemleri ürünü yanlışlıkla başlatma riskini azaltır.
- **Her zaman yan siperlikleri olan göz koruyucuları veya koruyucu gözlükler kullanın.** Bu talimata uyulmaması sonucunda gözünüze sıvı girebilir ve bu da ciddi yaralanmalara neden olabilir.
- **Akciğerlerinizi koruyun.** Püskürtülen maddeleri filtrelemek için özel olarak tasarlanmış yüz maskeleri, eldivenler ve diğer uygun koruyucu ekipmanlar gibi onaylı güvenlik ekipmanlarını kullanın. Bu kurala uyulması ciddi yaralanma riskini azaltır. Kimyasal madde üreticisinin SDS sayfasında listelenen güvenlik talimatlarını ve yönergelerini izleyin.
- **Kimyasal maddelerin ve kimyasal buharların yutulması, solunması ya da göze veya cilde sıçraması halinde tehlikeli oluşabilir ve ciddi yaralanmalara, kalıcı hasara veya ölüme neden olabilir.** Kimyasal madde üreticisinin SDS sayfasında

listelenen güvenlik talimatlarını ve yönergelerini izleyin.

- **Yaralanma riskini azaltmak için püskürtme/ilaçlama makinesinin çocukların yakınında kullanılması durumunda yakın gözetim sağlanması gerekir.**
- **Hareketli parçalara temas etmeyin.**
- **Sadece üretici tarafından önerilen veya satılan parça ve aksesuarları kullanın.**
- **Yanlışlıkla çalıştırmaktan kaçının. Cihazın aküsünü takmadan, cihazı kaldırmadan veya taşımadan önce açma/kapatma düğmesinin kapalı olduğundan emin olun. Aleti, parmağınız açma/kapatma düğmesinin üzerindeki taşıma veya alet açıkken fişi prize takmak kazalara davetiye çıkarır.**

BU TALİMATLARI SAKLAYIN

TEKNİK ÖZELLİKLER

Nominal Voltaj	56 V 
Maks. Tank Kapasitesi	15L
Maks. Çalışma Basıncı	24 bar
Maks. Püskürtme Debisi (ayarlanabilir başlıkla püskürtme modunda)	2,3 L/dk.
Giriş Filtresi Çapı	35 mm
Giriş Filtresi Süzgeç Boyutu	0,35 mm
Çıkış Filtresi Çapı	124 mm
Ağırlık (kuru ağırlık, akü takımı olmadan)	7,6 kg
Önerilen Çalışma Sıcaklığı	5 °C - 40 °C
Önerilen Depolama Sıcaklığı	-20 °C - 70 °C
Önerilen Şarj Sıcaklığı	5 °C - 40 °C

⚠ UYARI: Sırt tipi püskürtme/ilaçlama makinesini kullanmadan önce makine, tanktaki sıvı, kullanılan başlık ve akü takımı dahil toplam ağırlığın yaralanma ve denge kaybını önlemek için 25 kg'ı geçmediğinden emin olun.

- **Beyan edilen toplam titreşim değeri standart bir test yöntemine göre ölçülmüştür ve bir ürünün değeri ile karşılaştırmak için kullanılabilir;**

- **Beyan edilen toplam titreşim değeri, maruz kalma seviyesinin ilk değerlendirmesi için de kullanılabilir.**

DİKKAT: Elektrikli aletin fiili kullanımı sırasında oluşan titreşim emisyonu değeri aletin kullanım şekline bağlı olarak beyan edilen değerden farklı olabilir. Operatör korunmak için fiili kullanım koşullarında eldiven ve kulak koruması takmalıdır.

AMBALAJ İÇERİĞİ (ŞEK. A1)

AÇIKLAMA

PÜSKÜRTME/İLAÇLAMA MAKİNESİZİ TANIYIN (ŞEK. A1)

1. Hortum
2. Akü Bölmesi
3. Tank
4. Tank Kapağı
5. Taşıma Kolu
6. Ayarlanabilir Destek Kemer
7. Hız kadranı
8. Kilitleme Kolu
9. AÇMA/KAPATMA tetiği
10. Kontrol Kolu
11. Uç Kapak
12. Püskürtme Çubuğu
13. Ayarlanabilir Başlık
14. Fan Başlığı
15. Köpük Başlığı
16. Duş Başlığı

MONTAJ

⚠ UYARI: Hasarlı veya eksik parça varsa bu parçalar değiştirilinceye kadar ürünü çalıştırmayın. Bu ürünün hasarlı veya eksik parçalar ile kullanılması ciddi yaralanmalara yol açabilir.

⚠ UYARI: Bu ürün üzerinde değişiklik yapmaya veya bu ürünle kullanılması önerilmeyen aksesuarlar oluşturmaya çalışmayın. Bu tür değişiklikler veya modifikasyonlar hatalı kullanımdır ve ciddi yaralanmalara neden olabilen tehlikeli bir duruma sebep olabilir.

⚠ UYARI: Yanlışlıkla çalışarak ciddi yaralanmalara

neden olmasını önlemek için parçaları monte ederken, ayar yaparken, temizlikten önce ve ürün kullanımında değilken daima aküyü makineden çıkarın.

- Bu ürün montaj gerektirir.
- Ürünü ve varsa aksesuarlarını kutudan dikkatlice çıkarın. "Ambalaj İçeriği"nde gösterilen tüm parçaların bulunduğundan emin olun.
- Nakliye sırasında herhangi bir kırılma veya hasar meydana gelmediğinden emin olmak için ürünü kontrol edin.
- Ürünü dikkatlice inceleyip yeterince iyi olduğunu göreceğiniz şekilde kullanana kadar ambalaj malzemelerini atmayın.
- Herhangi bir parça hasarlı veya eksikse lütfen ürünü satın aldığınız yere iade edin.

PÜSKÜRTME ÇUBUĞUNU KONTROL KOLUNA BAĞLAMA

1. Püskürtme çubuğunun uç kapağını kontrol koluna takın ve saat yönünde sıkıca sıkın (Şek. B).
2. Düzgün bir şekilde sabitlendiğinden emin olmak için püskürtme çubuğunu çekin.

ÇALIŞTIRMA

⚠ UYARI: Bu ürüne karşı edindiğiniz alışkanlığın sizi dikkatsiz yapmasına izin vermeyin. Bir anlık dikkatsizliğin ciddi yaralanmalara sebep olabileceğini unutmayın.

⚠ UYARI: Koruyucu ekipman kullanın. Karıştırma, doldurma, püskürtme ve temizleme işlemleri sırasında gözlerinizi, cildinizi ve akciğerlerinizi koruyun. Aksi takdirde ciddi yaralanmalar ve maddi hasar meydana gelebilir.

⚠ UYARI: Ciddi yaralanmaları önlemek için servis, temizlik, aparat değişimi, tankı doldurma veya boşaltma işlemlerini yapmadan önce akü takımını cihazdan çıkarın.

⚠ UYARI: Bu ürünün üreticisi tarafından önerilmeyen herhangi bir aparatı veya aksesuarı kullanmayın. Tavsiye edilmeyen aksesuarların veya aparatların kullanımı ciddi yaralanmalara sebep olabilir.

Her kullanımdan önce ürünü inceleyerek vida, somun, cıvata, kapak gibi parçaların hasarlı, eksik veya gevşek olup olmadığını kontrol edin. Tüm bağlantı parçalarını ve kapakları sağlam bir şekilde sıkın ve bu ürünü eksik veya hasarlı parçaların hepsini değiştirmeden çalıştırmayın.

KULLANIM AMACI

Bu ürünü aşağıda belirtilen amaçlar için kullanabilirsiniz:

- Gübreleme ve bitki sulama.
- Herbisit, pestisit ve fungusitlerin püskürtülmesi.

DİKKAT: Bu ürün yalnızca bahçecilik ve tarımsal kullanım için tasarlanmıştır.

DİKKAT: Ürün sadece açıklanan kullanım amaçları doğrultusunda kullanılmalıdır. Diğer kullanım şekilleri hatalı kullanım olarak kabul edilir.

⚠ UYARI: Kimyasalların veya çözeltilerin yanlış uygulanması CİDDİ YARALANMA veya ÖLÜME neden olabilir. Kimyasal madde üreticisinin SDS sayfasında listelenen güvenlik talimatlarını ve yönergelerini izleyin.

TANKI DOLDURMA (Şek. C)

⚠ UYARI: Kullanım, temizlik ve depolama için her zaman kimyasal üreticisinin ürün etiketlerinde yazılı talimatlarını izleyin. Kimyasal maddeleri birleştirmeyin. Bu kılavuzun "BAKIM" bölümündeki talimatları izleyerek, her kullanımdan sonra tankı iyice temizleyin. Kimyasal maddeler çocukların erişemeyeceği yerlerde saklanmalıdır. Aksi takdirde ciddi yaralanmalara neden olabilir.

⚠ UYARI: Yaralanma ve denge kaybını önlemek için tanka eklenen sıvı miktarı ile birlikte makine, tanktaki sıvı, kullanılan püskürtme başlığı ve akü takımı dahil olmak üzere püskürtme/ilaçlama makinesinin toplam ağırlığının 25 kg'ı geçmemesine dikkat edin.

Püskürtülecek sıvı kimyasalların su kadar ince olması gerekmektedir. Daha kalın sıvılar düzgün püskürtülmez. Tankı fazla doldurmayın.

1. Akü takımını çıkarın.
2. Tank kapağını saat yönünün tersine sökün ve tanktan çıkarın.
3. Püskürtme/ilaçlama makinesini düz bir yüzeye yerleştirin.
4. Tankı istenen miktarda su ile doldurun.
5. Önerilen sıvı kimyasal miktarını ölçün.
6. Sıvı kimyasalı dikkatlice tanka dökün.
7. Tank kapağını püskürtme/ilaçlama makinesine geri vidalayın ve sıkıca sıkıldığından emin olun.

Püskürtme çözeltileri önceden karıştırılabilir ve püskürtme/ilaçlama makinesine dökülebilir.

DİKKAT: Sıvıyı tutmak için ölçüm kabı kullanıyorsanız,

kullanımdan sonra kabı iyice temizleyip duruladığınızdan emin olun. Püskürtme çözeltisini önceden karıştırıyorsanız, karıştırma için kullanılan kabı durulayın.

DİKKAT: Her kullanımdan sonra püskürtme/ilaçlama makinesini iyice temizlemek önemlidir. Sıvının uzun süre boşa kalan bir püskürtme/ilaçlama makinesinde kalması, hareketli parçaların ve bağlantı elemanlarının sıkışmasına neden olabilir.

AKÜ TAKIMINI TAKMA/ÇIKARMA

Sadece Şek. A2'de listelenen EGO marka aküleri ve şarj cihazlarını kullanın.

Daha fazla ayrıntı için ilgili akü ve şarj cihazı kılavuzlarına bakın.

İlk kullanımdan önce tamamen şarj edin.

1. Kapağın ön kısmını kaldırarak akü bölmesi kapağını kaldırın (Şek. D1).
2. **Takmak için**, akü dişleri ile montaj yuvalarını hizalayın ve bir "tık" sesi duyana kadar aküyü bastırın (Şek. D1).
3. **Çıkarmak için**, akü çıkarma düğmesine basın ve aküyü çekip çıkarın (Şek. D2).
4. Akü bölmesi kapağını kapatın.

⚠ UYARI: Akü çıkarma düğmesine basarken daima ayaklarınızın durduğu yere, çocuklara veya evcil hayvanlara dikkat edin. Akü düşerse ciddi yaralanmaya neden olabilir. ASLA aküyü yüksek bir yerden çıkarmayın.

⚠ UYARI: Çalışmaya başlamadan önce, püskürtme/ilaçlama makinesi üzerindeki mandalın yerine oturduğundan, akü takımının makineye sabitlendiğinden ve akü bölmesi kapağının tamamen kapatıldığından emin olun. Akü takımının güvenli bir şekilde yerleştirilmemesi, akü takımının düşmesine neden olarak ciddi yaralanmalara yol açabilir.

⚠ UYARI: Ciddi yaralanmaları önlemek için püskürtme/ilaçlama makinesini kaldırırken veya taşıırken akü takımını daima çıkarın ve ellerinizi kontrol kolundan uzak tutun.

SIRT TİPİ PÜSKÜRTME/İLAÇLAMA MAKİNESİNİN KONUMLANDIRILMASI

⚠ UYARI: Bu cihazı kullanırken yaralanma riskini azaltmak için uygun şekilde giyinin. Bol giysiler giymeyin veya takı takmayın. Koruyucu gözlük takın. Dayanıklı, uzun pantolon, eldiven ve bot giyin. Kısa pantolon, sandalet giymeyin veya çıplak ayakla dolaşmayın.

Sirt tipi püskürtme/ilaçlama makinesini kullanmadan önce operatörün göz koruması taktığından, uygun kıyafet giydiğinizden ve güvenli ve dengeli bir duruş sergileyebildiğinizden emin olun.

Destek Kemerini Ayarlamak İçin

1. Sırtınızdaki püskürtme/ilaçlama makinesini desteklemek için kollarınızı sırt çantasının askılarından geçirin.
2. Her iki omuz askısını geçici olarak rahat konumda ayarlayarak (Şek. E1) dirseğinizin rahat hareket ettiğinden emin olun.
3. Göğüs tokasını kapatın ve gerekirse uzunluğunu ayarlayın (Şek. E2).
4. Bel tokasını kapatın ve bel kayışı uzunluğunu ayarlayarak sırt çantasının kalçalarınız tarafından güvenli bir şekilde desteklenmesini sağlayın (Şek. E3 ve E4).

NOT: Sırt çantası sırtınızda çok yükseğe oturmamalıdır; omuzlarınıza değil kalçalarınıza daha yakın olmalıdır.

⚠ UYARI: Acil bir durum olduğunda, her iki taraftaki sırt çantası kayışını çıkarmak için göğüs ve bel tokalarını hemen serbest bırakın. Bu hızlı bir serbest bırakma yöntemidir.

5. Güvenlik ve konfor için omuz askılarını tekrar ayarlayın. Sırt çantasının sırtınıza güvenli bir şekilde oturduğundan emin olun. Ağırlık bel kayışı tarafından desteklenmeli ve hareket ettiğinizde üfleyci de aşırı hareket etmemelidir (Şek. E5).
6. Fazla kayış uzunluğunu bel çevresinde her iki taraftaki elastik banda takın (Şek. E6).
7. Sırt çantasını sırtınızdan çıkarmak için bel ve göğüs tokalarına basmanız ve püskürtme/ilaçlama makinesini indirirken yeterlidir (Şek. E7).

PÜSKÜRTME/İLAÇLAMA MAKİNESİNİ ÇALIŞTIRMA/ DURDURMA (ŞEK. F)

Hız kadranı

1. Akış hızını artırmak için hız kadranını saat yönünde çevirin.

F-1	Hız kadranı	F-3	AÇMA/KAPATMA Tetiği
F-2	Kilitleme Kolu		

2. Akış hızını azaltmak için hız kadranını saat yönünün tersine çevirin.

3. Kadranı "**KAPALI**" konuma getirmeye devam ederseniz püskürtme işlemi duracaktır.

⚠ UYARI: İstenmeyen çalışmayı önlemek için hız kadraniyi kapalı konuma getirin (kadrandaki kırmızı nokta püskürtme çubuğuna doğru bakar).

⚠ UYARI: Makineyi depoya kaldırmadan, uzun süre yanından ayrılmadan veya akü takımını değiştirmeden önce hız kadraniyi daima kapalı konuma getirin (kadranda üzerindeki kırmızı nokta püskürtme çubuğuna doğru bakar).

AÇMA/KAPATMA Tetiği

1. Püskürtme/ilaçlama makinesini açmak için AÇMA/ KAPATMA tetiğine basın.
2. Akışı durdurmak için tetiği bırakın.

Kilitleme Kolu

Kilitleme kolu, uzun süreli püskürtme yaparken veya geniş bir alanı kaplayacak şekilde püskürtme yaparken kullanışlıdır.

1. AÇMA/KAPATMA tetiğini kilitlemek için tetiği sıktıktan sonra kilitleme koluna basın.
2. AÇMA/KAPATMA tetiğini bırakmak için kilitleme kolunu çekin.

DİKKAT: Akü takımını püskürtme/ilaçlama makinesine takmadan önce tetiğin kilitli olmadığından emin olun.

BAŞLIKLARI AYARLAMA VE DEĞİŞTİRME

⚠ UYARI: Ciddi yaralanmaları önlemek için başlıkları ayarlamadan veya değiştirmeden önce akü takımını çıkarın.

Püskürtme/ilaçlama makinesi ile birlikte dört başlık gelir: Ayarlanabilir başlık, fan başlığı, duş başlığı ve köpük başlığı. Çalışmaya başlamadan önce yapacağınız işe uygun olarak başlığı değiştirin.

Ayarlanabilir başlık (Şek. G1): Çiçek tarhlarına, yürüyüş yollarına, araba yollarına, verandalara ve ağaç ve çalılıarın etrafına noktasal püskürtme/ilaçlama yapabilirsiniz. Çitlerin, araba yollarının ve yürüyüş yollarının kenarlarında kullanılabilir. Çalılıarı öldürmek için kullanılabilir.

Fan başlığı (Şek. G3): Çok geniş kapsama alanı ve yüksek viskoziteli sıvılar için düz püskürtme sağlar. Geniş alanların ekime hazırlanması için kullanılabilir.

G-1	Fan Başlığı	G-3	Köpük Başlığı
G-2	Duş Başlığı		

Duş başlığı (Şek. G3): Bitkilerin sulanması ve bakımı için daha yüksek debide su çıkışı sağlar.

Köpük başlığı (Şek. G3): İlaçlanmış yabancı otlarda gözle görülür izler bırakır. Çimlerdeki, çiçek tarhlarının, ağaçların ve çalılıarın etrafındaki yabancı otlara noktasal püskürtme/ilaçlama yapabilirsiniz. Çitlerin, araba yollarının ve yürüyüş yollarının kenarlarında kullanılabilir.

Ayarlanabilir başlık, akış ve püskürtme arasında ayarlanabilir (Şek. G1).

1. Akış sağlamak için başlığın tırtıklı (dokulu) kısmını saat yönünün tersine çevirin.
2. Püskürtme için başlığın tırtıklı (dokulu) kısmını saat yönünde çevirin.

Başlığı çıkarmak ve değiştirmek için tüm başlığı saat yönünün tersine çevirerek sökün (Şek. G2).

Püskürtme/ilaçlama makinesi ile birlikte gelen farklı başlıkların debileri:

	Nominal Akış Hızı (L/dk.)	Maksimum Çalışma Basıncı (L/dk.)	Optimum Çalışma Basıncı (L/dk.)
Ayarlanabilir Başlık	2,3	2,7	2,4
Fan Başlığı	2,3	2,7	2,4
Duş Başlığı	2,3	2,9	2,7
Köpük Başlığı	2,3	2,7	2,4

EV VE BAHÇE KİMYASALLARINI PÜSKÜRTME (Şek. H)

⚠ UYARI: Çubuğun başlığını asla kendinize veya başkalarına doğrultmayın.

⚠ UYARI: Püskürtme/ilaçlama makinesini çalıştırırken asla sigara içmeyin, yemek yemeyin veya içecek içmeyin.

⚠ UYARI: Asla insanlara veya hayvanlara doğru püskürtme yapmayın; her zaman rüzgâr yönünde püskürtün.

⚠ UYARI: Yangın veya patlama riski. Püskürtme alanı iyi havalandırılmalı ve kıvılcım veya alevden uzak olmalıdır.

1. Akü takımını takın.

- İstedığınız akış hızını ayarlamak için hız kadranını çevirin.
- Püskürtme başlığını doğrudan püskürtme yapmak istediğiniz bitkilere veya nesnelere doğru tutun.

NOT: Püskürtülen maddenin size geri sıçramasını önlemek için püskürtülen maddeden yeterince uzakta durduğunuzdan emin olun.

- Püskürtme/ilaçlama makinesini çalıştırmak için tetiğe basın.
- Püskürtme/ilaçlama makinesini durdurmak için tetiği bırakın.
- "BAKIM" bölümünde belirtildiği gibi her kullanımdan sonra tankı boşaltın ve temizleyin.

ÇALIŞTIRMA İPUÇLARI

- Emniyet kemerinin omuz askılarını, püskürtme/ilaçlama makinesi belinizin üstünde ve tank sırtınıza yakın olacak şekilde ayarlayın.
- Rüzgarlı günlerde püskürtme yapmaktan kaçının. Püskürtülen malzeme yanlışlıkla püskürtülmemesi gereken bitkilere veya cisimlere uçabilir.
- Özellikle sıcak havalarda sabahın erken saatleri veya öğleden sonra geç saatlerde püskürtme/ilaçlama yapın. Aşırı ısı, püskürtülen sıvının çokmeden buharlaşmasına neden olabilir.

BAKIM

UYARI: Bakım yaparken sadece orijinal yedek parçaları kullanın. Diğer parçaların kullanılması tehlike oluşturabilir veya ürünün hasar görmesine neden olabilir. Emniyet ve güvenilirliği sağlamak için tüm tamir işleri yetkili bir servis teknisyeni tarafından yapılmalıdır.

TR

UYARI: Ciddi yaralanmaları önlemek için servis, temizlik, başlık değiştirme, herhangi bir bakım işlemi yapmadan önce veya püskürtme/ilaçlama makinesi kullanılmadığında akü takımını püskürtme/ilaçlama makinesinden çıkarın. Akü ile çalışan bir püskürtme/ilaçlama makinesinin aküsü takılıysa bu makine daima açık konumdadır ve yanlışlıkla çalışabilir.

GENEL BAKIM

Bu bakım talimatlarında belirtilenler dışında kalan tüm püskürtme/ilaçlama makinesi bakımları, yetkili bir servis teknisyeni tarafından yapılmalıdır.

TEMİZLİK

Plastik parçaları temizlerken çözücü maddeler

kullanmaktan kaçının. Çoğu plastik malzeme çeşitli ticari çözücü türlerinden etkilenmeye yatkındır ve bu çözücü maddelerin kullanılması durumunda zarar görebilirler. Kir, toz, yağ, gres, vb. gidermek için temiz bez kullanın.

UYARI: Fren sıvıları, benzin, petrol bazlı ürünler, içe işleyen yağlar, vb.nin plastik parçalara temas etmesine kesinlikle izin vermeyin. Kimyasal maddeler plastik parçalara hasar verebilir, bu tür parçaları zayıflatabilir veya parçalayabilir ve bu durum ciddi yaralanmalara neden olabilir.

UYARI: Püskürtme/ilaçlama makinesini temizlerken, su veya diğer sıvıların içine DALDIRMAYIN.

UYARI: Kimyasal malzemeleri her zaman uygun şekilde depoda tutun ve bertaraf edin. Kirlenmiş durulama suyunun bertarafı yerel düzenlemelere ve yönetmeliklere uygun olarak yapılmalıdır.

- Püskürtme işleminden sonra tankta sıvı kalmışsa temizlemeden önce tankı boşaltın.
- Tankın dışını temizlemek için daima yumuşak ve kuru bir bez kullanın; asla deterjan veya alkol kullanmayın.
- Tankı yaklaşık üçte bir oranında temiz suyla doldurun. Tank boşalana kadar püskürtmeye devam edin. Püskürtülen sıvıyı, çözeltinin zarar vermeyeceği bir alana doğru sıktığınızdan emin olun.
- Temiz su ile tekrar doldurup işlemi tekrarlayın. Tankı birden fazla kez durulamak ve daha sonra yukarıda belirtilen şekilde tekrar boşaltmak gerekebilir.
- Üniteyi yeniden monte etmeden ve depoya kaldırmadan önce tüm parçaların tamamen kurumasını bekleyin.

BAŞLIK BAKIMI

UYARI: Su sızıntılarını önlemek için tüm başlık bakımlarının düzgün bir şekilde yapıldığından emin olun. Sızıntılar, kayma ve düşme tehlikesi oluşturan kaygan bir yüzeye yol açabilir veya maddi hasara neden olabilir.

Düzensiz püskürtme biçimleri veya sızıntı, tıkalı veya kirli bir başlıktan kaynaklanabilir.

- Püskürtme/ilaçlama makinesini kapatın ve akü takımını çıkarın.
- Ayarlanabilir başlığı temizlemek için (Şek. 11):**
 - Ayarlanabilir başlığın tırtıklı (dokulu) kısmını söküp çıkarın.
 - Kalıntıları temizlemek için çapraz deliklerden ince bir tel (ürüne dahil değildir) geçirin. Gerekirse çapraz delikleri ve başlığı temiz su ile yıkayın.

- c. Başlığı temiz ve kuru bir bezle silin ve tekrar takın.
- 3. Fani ve köpük başlığını temizlemek için (Şek. I2):**
- a. Başlığı sökün ve püskürtme çubuğundan çıkarın.
- b. Kalıntıları temizlemek için deliklerden ince bir tel (ürüne dahil değildir) geçirin. Gerekirse başlığı temiz su ile yıkayın.
- c. Başlığı temiz ve kuru bir bezle silin ve tekrar takın.

TAŞIMA VE DEPOLAMA (Şek. J)

- Akü takımını çıkarın.
- Hız kadrantını kapalı konuma getirin (kadrandaki kırmızı nokta püskürtme çubuğuna doğru bakar).
- Püskürtme/ilaçlama makinesini iyice temizleyin.
- Tankı, hortumu ve püskürtme çubuğunu boşaltın.

DİKKAT: Depoya kaldırmadan, özellikle de kış mevsimine hazırlamadan önce makinenin donmasını ve hasar görmesini önlemek için tank, hortum ve püskürtme çubuğunu mutlaka boşaltın, aksi takdirde kış mevsiminden sonra makine çalışmayacaktır.

- Püskürtme çubuğunu tabana ve depolama klipsine sabitleyin.

J-1	Depolama Klipsi	J-3	Taşıma Kolu
J-2	Taban		

- Püskürtme/ilaçlama makinesini taşıma kolundan kaldırın veya taşırken destek kablo demetini kullanarak taşıyın.
- Püskürtme makinesini iç mekanlarda, iyi havalandırılan bir yerde depolayın.
- Bahçe kimyasalları ve buz eritici tuzlar gibi aşındırıcı maddelerden uzak tutun.

Çevre koruması



Elektrikli cihazları, kullanılmış aküyü ve şarj cihazını evsel atıklarla bertaraf etmeyin!

Bu ürünü yetkili bir geri dönüşüm merkezine götürün ve ayrı bir şekilde toplanmasını sağlayın. Elektrikli aletler çevreyle uyumlu bir geri dönüşüm tesisine götürülmelidir.

SORUN GİDERME

SORUN	NEDENİ	ÇÖZÜM
Püskürtme/ilaçlama makinesi çalışmıyor.	<ul style="list-style-type: none">■ Akü takımı akü bölmesine düzgün takılmamıştır.■ İlaçlama/püskürtme makinesi ile akü arasında elektrik teması yoktur.■ Akü takımının şarjı boşalmıştır.■ Akü takımı veya püskürtme/ilaçlama makinesi çok sıcaktır.	<ul style="list-style-type: none">■ Akü takımının akü yuvasına tam olarak yerleştiğinden emin olun.■ Akü takımını çıkarın, temas noktalarını kontrol edin ve akü takımını yeniden takın.■ Akü takımını şarj edin.■ Püskürtme/ilaçlama makinesini kapatın ve akü takımının veya püskürtme/ilaçlama makinesi sıcaklığı önerilen çalışma sıcaklığı aralığına düşene kadar soğumasını bekleyin.
Motor çalışıyor ancak başlıktan püskürtme sıvısı çıkmıyor.	<ul style="list-style-type: none">■ Tanktaki sıvı seviyesi düşüktür.■ Çalışma sırasında başlık tıkanmıştır.	<ul style="list-style-type: none">■ Tankta yeterli sıvı olduğundan emin olun ve kontrol edin.■ Başlıkları "BAŞLIK BAKIMI" bölümüne göre temizleyin ve talimatlara göre yeniden monte edin.
Kontrol kolu ile çubuk arasından sıvı sızıyor.	<ul style="list-style-type: none">■ Çubuğun uç kapağı gevşektir.	<ul style="list-style-type: none">■ Uç kapağını sıkın.
Püskürtme çubuğu ile başlık arasından sıvı sızıyor.	<ul style="list-style-type: none">■ Başlık gevşek veya yanlış takılmıştır.	<ul style="list-style-type: none">■ Başlığı, "BAŞLIKLARI AYARLAMA VE DEĞİŞTİRME" bölümüne göre doğru ve sıkı bir şekilde yeniden takın.

GARANTİ

EGO GARANTİ POLİTİKASI

EGO Garanti Politikasına ilişkin tüm hükümler ve koşullar için lütfen egopowerplus.eu adresindeki web sitesini ziyaret edin.

TR

LUGEGE KÕIKI JUHISEID!



LUGEGE KASUTUSJUHENDIT

⚠ HOIATUS: Turvalisuse ja vastupidavuse tagamiseks peab kõiki parandustöid läbi viima kvalifitseeritud hooldustehnik.

⚠ HOIATUS: Enne käesoleva seadme kasutamist lugege kindlasti läbi ja tehke endale selgeks kõik kasutusjuhendis toodud ohutusjuhised, sh kõik ohutussümbolid, nagu „OHT“, „HOIATUS“ ja „ETTEVAATUST“. Kui allpool loetletud juhiseid ei järgita, võib tagajärjeks olla elektrilöökk, tulekahju ja/või rasked kehavigastused.

SÄILITAGE HOIATUSED JA JUHISED HILISEMAKS KASUTUSEKS.

OHUTUSSÜMBOLID

⚠ HOIATUS: Mis tahes elektriliste tööriistade kasutamine võib põhjustada võõrkehade paiskumist silma, mis võib tekitada tõsiseid silmakahjustusi. Elektriliste tööriistade kasutamise ajal kandke alati kaitseprille või külgkaitsmetega kaitseprille ja vajadusel täielikku näokaitset. Soovitame kanda prillide peal laia vaatealaga kaitsemaski või standardseid külgkaitsmetega kaitseprille.



Ohutusteade



Vigastusohu vähendamiseks peab kasutaja enne toote kasutamist lugema kasutusjuhendit ja selle endale selgeks tegema.



Kandke kaitseriietust.



Hoidke kõrvalised isikud tööpiirkonnast eemal.



Kandke näokaitset.



Toode vastab kohaldatavatele EÜ direktiividele.



Garanteeritud helivõimsuse tase. Seadme müra keskkonnas on Euroopa Ühenduse direktiiviga vastavuses.



Toode vastab kohaldatavatele Ühendkuningriigi õigusaktidele.



Elektriseadmete jäätmeid ei tohi visata olmejäätmete hulka. Viige volitatud taaskäitleja juurde.

IPX4

Kaitstud igast suunast tulevate pritsmete vastu

ET



Alalisvool

./min

Minutis

V

Pinge

n_0

Tühikäigu kiirus

mm

Millimeeter

ÜLDISED OHUTUSHOIATUSED

⚠ HOIATUS: Lugege läbi kõik seadmega kaasas olevad hoiatused, juhised, joonised ja andmed. Alltoodud juhiste eiramine võib põhjustada elektrilööki, tulekahju ja/või tõsiseid vigastusi.

Säilitage hoiatused ja juhised hilisemaks kasutuseks.

Hoiatustes olev mõiste „masin“ viitab teie vooluvõrguga juhitavale (juhtmega) masinale või akutoitega (juhtmeta) masinale.

TÖÖPIIRKONNA OHUTUS

- Tööpiirkond peab olema puhas ja hästi valgustatud. Täis kuhjatud või valgustamata tööpiirkonnad võivad põhjustada õnnetusi.
- Ärge kasutage masinaid plahvatusohtlikus keskkonnas, kus leidub nt tuleohtlikke vedelikke, gaase või tolmu. Masinad tekitavad sädemeid, mis võivad süüdata tolmu või aurusid.
- Elektritööriistadega töötamisel hoidke lapsed ja kõrvalised isikud eemal. Tähelepanu hajumisel võite kaotada kontrolli seadme üle.

ELEKTRILINE OHUTUS

- Elektritööriistad tuleb ühendada sobivasse pistikupessa. Ärge kunagi modifitseerige pistikut mitte mingil viisil. Ärge kasutage pistikuadaptoreid koos maandatud masinatega. Modifitseerimata pistikut ja sobivad pistikupesad vähendavad elektrilöögi ohtu.
- Vältige kehalist kontakti maandatud pindadega (nt torud, radiaatorid, katted, külmikud). Kui teie keha on maandatud, suureneb elektrilöögi oht.
- Ärge jätke masinaid vihma kätte ega märgadesse tingimustesse. Masinasse sisenev vesi suurendab elektrilöögi ohtu.
- Ärge kahjustage juhet. Ärge kasutage juhet laadija kandmiseks või tõmbamiseks ja ärge tõmmake juhtmest, kui soovite pistikut pistikupesast eemaldada. Vältige juhtme kokkupuudet kuumade esemetega, õli, teravate servade või liikuvate osadega. Kahjustatud või puntras juhe suurendab elektrilöögi ohtu.
- Elektritööriistaga vältitingimustes töötamiseks kasutage vältitingimustes sobivat pikendusjuhet. Vältitingimustesse sobiva juhtme kasutamine vähendab elektrilöögi ohtu.
- Kui peate kindlasti kasutama tööriista niiskes kohas, kasutage seadet, mille toite tagab jääkvooluseade (RCD). RCD kasutamine vähendab

elektrilöögi ohtu.

ISIKLIK OHUTUS

- Olge tähelepanelik, töötage hoolikalt ja kasutage tervet mõistust. Ärge kasutage seadet, kui olete väsinud, või rohtude, alkoholi või narkootikumide mõju all. Isegi hetkeline tähelepanematus masina kasutamise ajal võib põhjustada tõsiseid vigastusi.
- Kasutage isikukaitsevahendeid. Kandke alati silmakaitsevahendeid. Töötingimustele vastava kaitsevarustuse (nt tolumaski, mittelibisevate turvajalanõude, kiivri või kuulmiskaitsevahendite) kasutamine vähendab kehavigastuste ohtu.
- Vältige seadme tahtmatut käivitamist. Enne tööriista vooluvõrgu ja/või akuplokiga ühendamist ning enne tööriista kandmist või üles tõstmist veenduge, et lüliti on mitteaktiivses asendis. Masinate tassimine sõrme lülilil hoides või akuploki ühendamine, kui lüliti on sisse lülitatud, põhjustab õnnetusi.
- Enne tööriista sisselülitamist eemaldage sellelt kõik reguleerimis- ja mutrivõtmed. Elektritööriista pöörleva osa külge unustatud võtmed vms tööriistad võivad põhjustada kehavigastusi.
- Ärge küünitage liiga kaugemale. Töötage ainult kindlal pinnal ja kohtades, kus pole ohtu tasakaalu kaotada. Nii säilitate ootamatutes olukordades elektritööriista üle parema kontrolli.
- Riietuge asjakohaselt. Ärge kandke avaraid rõivaid ega ehteid. Vältige oma juuste ja riiete kokkupuudet liikuvate osadega. Avarad rõivad, ehted ja pikad juuksed võivad liikuvate osade vahele kinni jääda.
- Kui tootega on kaasas vahendid tolmuarastus- ja kogumisseadmete ühendamiseks, siis veenduge, et need seadmed on korralikult ühendatud ja asjakohases kasutuses. Tolmukogumisseadmete kasutamine vähendab tolmu seotud ohtusid.
- Isegi kui seade on teile sagedase kasutamise tulemusel harjumuspäraseks saanud, ärge laske ennast lõdvaks ega ignoreerige tööriista kasutamise ohutusreegleid. Hooletuse tõttu võite saada tõsiseid vigastusi ka sekundi murdosa jooksul.

MASINA KASUTAMINE JA HOOLDUS

- Ärge avaldage seadmele jõudu. Kasutage konkreetseks tööks sobivat elektritööriista. Sobiva elektritööriistaga sobival kiirusel töötades saate töö tehtud kiiresti ja ohutult.
- Ärge kasutage seadet, mida ei saa lülitist sisse ega välja lülitada. Tööriist, mille lüliti ei tööta, on ohtlik ja tuleb parandada.
- Eemaldage pistik vooluvõrgust ja/või akuplokk

seadme küljest, kui see on eemaldatav, enne seadme kohandamist, tarvikute vahetamist või elektritööriista hoiustamist. Selliste ohutusmeetmete rakendamisel vähendate elektritööriista tahtmatu käivitamise ohtu.

- Hoidke seisvat seadet lastele kättesaamatus kohas ja ärge lubage seadet kasutada isikutel, kes ei tunne seadet ega neid juhiseid. Seadmed on väljaõppeta isikute käes ohtlikud.
- Hooldage nii elektritööriistu kui tarvikuid. Kontrollige, kas komponendid on korrektselt joondatud ja ega ükski osa paindunud pole ning jälgige ka muid aspekte, mis võiksid masina omadusi mõjutada. Kui see on kahjustatud, laske masin enne kasutamist parandada. Paljude õnnetuste põhjuseks on kehvasti hooldatud masinad.
- Hoidke oma lõiketööriistad teravad ja puhtad. Korralikult hooldatud ja teravate servadega lõikevahendid ei kiilu nii kergesti kinni ja on lihtsamini kontrollitavad.
- Kasutage seadet, selle tarvikuid, tööriistaosi jm vastavalt käesolevale juhendile, võttes arvesse töötingimusi ja teostatava tööd. Masina mittesihipärane kasutamine võib põhjustada ohtlikke olukordi.
- Hoidke käepidemed ja haardepinnad kuivad ja puhtad ning vältige neile õli ja rasva sattumist. Libedad käepidemed ja haardepinnad takistavad seadme ohutut kasutamist ning ootamatutes olukordades käsitsemist.

AKUSEADME KASUTAMINE JA HOOLDUS

- Kasutage laadimiseks ainult tootja poolt ette nähtud laadureid. Akulaadja, mis sobib teatud tüüpi akuplokile, võib põhjustada tulekahju ohtu, kui kasutada seda mõne teise akuplokiga.
- Kasutage seadmeid ainult nende jaoks ette nähtud akuplokkidega. Mõne muu akuploki kasutamine võib põhjustada vigastuste ja tulekahju ohtu.
- Kui akut ei kasutata, hoidke seda eemal muudest metallesemetest nagu kirjaklambrid, mündid, võtmed, naelad, kruvid ja muud väikesed metallesemad, mis võivad klemmide vahel ühenduse luua. Akuklemmide lühihendus võib põhjustada põletushaavu ja tulekahju ohtu.
- Valedes tingimustes kasutamisel võib akust vedelikku välja tulla; vältige kokkupuudet sellega. Kokkupuute korral loputage veega. Kui vedelik satub silma, pöörduge lisaks ka arsti poole. Akust erituv vedelik võib põhjustada ärritust või põletusi.
- Ärge kasutage kahjustunud või modifitseeritud

akuplokki või tööriista. Kahjustunud või modifitseeritud akud võivad toimida ettearvamatult, mille tagajärjeks võivad olla tulekahju, plahvatus või vigastuste oht.

- Vältige akuploki või tööriista kokkupuudet tule või liiga kõrge temperatuuriga. Kokkupuude lahtise tule või temperatuuriga üle 130 °C võib põhjustada plahvatuse.
- Järgige kõiki laadimisjuhiseid ja ärge laadige akuplokki või tööriista vale temperatuuri juures (vt juhiseid). Valesiti või valel temperatuuril laadimine võib kahjustada akut ja suurendada tulekahjuohtu.

TEENINDUS

- Laske oma masinat hooldada kvalifitseeritud remonditehnikul, kes kasutab ainult identseid originaalvaruosi. See tagab tööriista ohutuse.
- Ärge kunagi hooldage kahjustunud akuplokke. Akuplokkide hooldust võib teostada ainult tootja või volitatud teeninduskeskus.

JUHTMETA AIAPRITSI OHUTUSJUHISED

⚠ OHT: Tulekahju või plahvatuse oht. Ärge pihustage tuleohtlikke vedelikke, nagu näiteks bensiin.

⚠ HOIATUS:

- Vigastuste vältimiseks kandke alati silmade, hingamisteede ja naha kaitsevahendeid.
- Elektrilöögi ohu vähendamiseks ärge jätke aiapritsi vihma kätte.
- Kasutamiseks ainult olmemajapidamises ja välistingimustes.
- Ärge pihustage tuleohtlike või süttivaid vedelikke kinnises ruumis. Põleva vedeliku pihustamisel tekib tulekahju või plahvatuse oht, eriti kinnises ruumis.
- Pihustamisala peab olema hästi ventileeritud.
- Ärge suitsetage pihustamise ajal ega pihustage kohtades, kus on sädemed või leek.
- Enne paagi täitmist eemaldage alati aku. Enne aku paigaldamist pühkige ära kõik mahavoolanud vedelikud. Selle reegli järgimine vähendab elektrilöögi ohtu ja söövitavate vedelike sattumist akusse, mis võib põhjustada aku rikke, sealhulgas lühise, mille tagajärjeks on suits, tulekahju ja/või tõsine kehavigastus.
- Ärge laske juhtvatel või söövitavatel vedelikel aku sisse sattuda. Kui aku peale satuvad juhtivad või söövitavad vedelikud, vaadake nende eemaldamise

ET

juhiseid aku kasutusjuhendist.

- Enne pihustusmaterjalide kasutamist selles aiapritsis, lugege hoolikalt materjali originaalpakendi etiketti ja järgige selle juhiseid. Mõned pihustusmaterjalid on ohtlikud ja neid ei tohiks selles aiapritsis kasutada, kuna need võivad pihustit kahjustada ning põhjustada tõsiseid kehavigastusi või varalist kahju.
- Tutvuge põhjalikult pihustatava kemikaaliga. Lugege kõiki kemikaaliga kaasasolevaid ohutuskaarte (SDS) ja mahutite silte. Järgige kemikaali tootja ohutusjuhiseid.
- Elektrilöögi oht. Ärge kunagi pihustage elektripistikute suunas.
- Ärge valage paaki kuuma või keevat vedelikku. Need võivad nõrgendada või kahjustada torusid või paaki.
- Vältige pihustamist tuulistel päevadel. Pihustatav vedelik võib kogemata sattuda taimedele või objektidele, mida ei tohiks pritsida.
- Hoidke aiapritsi turvalises, hästi ventileeritavas siseruumis ning tühja vedelikupaagiga.
- Ärge pihustage valgendit ega vesinikperoksiidi.
- Ärge pihustage alkoholi baasil valmistatud kemikaale.
- Ärge pihustage pulbreid ega abrasiivseid kemikaale.
- Ärge pihustage söövitavaid (leeliselisi) või isesoojenevaid vedelikke.
- Ärge kasutage keskkonnale ohtlikke kemikaale, mis ei ole lubatud kohalike eeskirjade kohaselt.
- Ärge suunake aiapritsi otsakut inimeste või lemmikloomade poole.
- Ärge lubage seadet kasutada lastel, vähenenud vaimsete, sensoorsete või füüsiliste võimetega isikutel ega isikutel, kellel puuduvad vajalikud teadmised ja kogemus või kes pole tutvunud kasutusjuhendiga.
- Seadme kasutaja vastutab teiste inimeste või nende varaga juhtuvate õnnetuste eest.
- Aiapritsi tohib kasutada ainult taimede kaitsevahenditega, mis on kohalike/riiklike reguleerivate asutuste poolt heaks kiidetud kasutamiseks seljas kantava aiapritsiga.
- Vigastuste oht. Ärge tühjendage otse naha vastu. Hoidke kõik kehaosad pihustusvoost eemal.
- Ärge jätke aiapritsi kasutamise järel paaki jääke ega pihustusmaterjali. Puhastage pärast igat kasutuskorda.
- Tulekahju või plahvatuse riski vähendamiseks

kasutage puhastamiseks vedelikku, mille leekpunkt on kõrgem kui 60°C.

- Elektrilöögi ohu vähendamiseks ärge asetage aiapritsi vee ega muu vedeliku sisse. Ärge paigutage ega hoiustage aiapritsi kohas, kust see võib vanni või kraanikaussi kukkuda.
- Hoolitsege oma aiapritsi eest. Enne iga kasutuskorda kontrollige põhjalikult aiapritsi sisemust ja välispinda ning tutvuge aiapritsi komponentidega. Kontrollige paagis pragude jm kahjustuste puudumist, lekete, ummistunud düüside puudumist ning aiapritsi kompleksust. Kui toode on kahjustatud, laske see enne kasutamist parandada. Paljude õnnetuste põhjuseks on kehvasti hooldatud töövahendid.
- Lülitage aiapihusti toitelüliti välja, kui aiapritsi ei kasutata ja enne hooldust või puhastamist.
- Eemaldage aku seadmest enne aiapritsi tühjendamist, puhastamist või hoiustamist. Sellised ennetavad ohutusmeetmed vähendavad juhusliku käivitamise riski.
- Kandke alati küljekaitsega turvaprilile. Selle nõude eiramine võib põhjustada vedelike sattumist silma, mis võib põhjustada tõsiseid vigastusi.
- Kaitske oma hingamisteid. Kandke heakskiidetud kaitsevarustust, näiteks spetsiaalseid filtritega näomaske, kindaid ja muud sobivat kaitsevarustust. Nende reeglite järgimine vähendab tõsiste vigastuste ohtu. Järgige keemiatootja ohutusjuhiseid ja ohutuskaardil loetletud juhiseid.
- Kemikaalid ja keemilised aurud võivad olla ohtlikud ning põhjustada tõsiseid vigastusi, püsivaid kahjustusi või surma, kui neid alla neelata, sisse hingata või kui need satuvad silma või nahale. Järgige keemiatootja ohutusjuhiseid ja ohutuskaardil loetletud juhiseid.
- Vigastuste ohu vähendamiseks tuleb olla väga ettevaatlik, kui kasutate aiapihustit laste läheduses.
- Ärge puudutage liikuvaid osi.
- Kasutage ainult tootja soovitatud või tootja pakutavaid varuosi.
- Vältige seadme tahtmatut käivitamist. Enne seadme ühendamist akuga, enne seadme kättevõtmist või kandmist veenduge, et lüliti on väljalülitatud asendis. Seadme kandmine sõrme lülilil hoides või aktiivses olekus lülitiga põhjustab õnnetusi.

HOIDKE SEE KASUTUSJUHEND ALLES

ET

TEHNILISED ANDMED

Nimipinge	56 V
Max Paagi maht	15 l
Max Töörõhk	24 baari
Max Pihustusvedeliku voolukiirus (reguleeritava düüsi, pihustusrežiimiga)	2,3 l/min
Sisselaske filtri läbimõõt	35 mm
Sisselaske filtri võrgusilma suurus	0,35 mm
Väljalaske filtri läbimõõt	124 mm
Kaal (puhas kaal, ilma akuta)	7,6 kg
Soovituslik töökeskkonna temperatuur	5 °C kuni 40 °C
Soovituslik hoiustamise temperatuur	-20 °C kuni 70 °C
Soovitav laadimistemperatuur	5 °C kuni 40 °C

⚠ HOIATUS: Enne seljas kantava aiapihusti kasutamist veenduge, et selle kogukaal, sealhulgas masin, paak vedelikuga ning kasutatav düüs ja aku, ei ületaks vigastuste vältimiseks ja tasakaalu kaotust 25 kg.

- Esitatud vibratsioonitaseme näit on mõeldud standardsete testmeetodite kohaselt ja seda võib kasutada erinevate tööriistade võrdlemiseks;
- Esitatud vibratsioonitaseme näitu võib kasutada ka algse kokkupuutehinnangu andmiseks.

MÄRKUS: Tegelikul kasutamisel tekkiv vibratsioonitase võib esitatust erineda; turvalisuse eesmärgil peaks seadme kasutaja tegelikes kasutustingimustes kandma kindaid ja kuulmiskaitseid.

PAKENDI LOEND (JONIS A1)

KIRJELDUS

TUTVUGE OM AIAPRITSIGA (JONIS A1)

1. Voolik

2. Akupesa
3. Paak
4. Paagi kork
5. Kandekäepide
6. Reguleeritavad tugirakmed
7. Kiiruse reguleerimisketas
8. Lukustushoob
9. SEES/VÄLJAS päästik
10. Juhtkäepide
11. Otsakork
12. Pihustusvarras
13. Reguleeritav düüs
14. Lehvikdüüs
15. Vahustamisdüüs
16. Vihmutusdüüs

KOKKUPANEK

⚠ HOIATUS: Kui mõni osa on kahjustatud või puudub, ärge kasutage toodet enne, kui see osa on asendatud. Kui kasutate kahjustatud või vajalike komponentideta seadet, võite saada raskeid vigastusi.

⚠ HOIATUS: Ärge üritage seadet ümber ehitada ega kasutada tarvikuid, mis pole mõeldud selle seadmega koos kasutamiseks. Kõik niisugused muudatused loetakse väärkasutuseks ja need võivad põhjustada ohtlikke olukordi, mis võivad lõppeda raskete vigastustega.

⚠ HOIATUS: Tõsiseid kehavigastusi põhjustada võiva juhuliku käivitumise vältimiseks eemaldage alati aku enne masina kokkupanemist, reguleerimist, puhastamist või kui seade ei ole kasutuses.

- See seade nõuab kokkupanekut.
- Eemaldage seade ja kõik selle tarvikud ettevaatlikult kastist. Veenduge, et kõik „**Pakkimisnimekirjas**“ toodud esemed on olemas.
- Uurige toodet tähelepanelikult, et veenduda, et midagi pole transportimise käigus katki läinud.
- Ärge visake pakkematerjali ära enne, kui olete toote tähelepanelikult üle kontrollinud ja selle töökorras olekus veendunud.
- Kui mõni osa on kahjustunud või puudu, tagastage seade sinna, kust selle ostsite.

ÜHENDAGE PIHUSTUSVARRAS

ET

JUHTKÄEPIDEMEGA

1. Keerake pihustusvarda otsakork juhtkäepidemele ja pingutage päripäeva (joonis B).
2. Tõmmake pihustusvarrast, et veenduda, et see on korralikult kinnitatud.

KASUTAMINE

⚠ HOIATUS: Ärge muutuge toodet tundma õppides hooletuks. Pidage meeles, et raskeid vigastusi põhjustavaks õnnetuseks piisab ka sekundi mürdosa pikkusest tähelepanematusest.

⚠ HOIATUS: Kasutage turvavarustust Kaitske oma silmi, nahka ja kopsse lahuse segamise, täitmise, pihustamise ja aiapritsi puhastamise ajal. Selle nõude eiramine võib põhjustada tõsiseid kehavigastusi ja varakahju.

⚠ HOIATUS: Raskete vigastuste vältimiseks eemaldage alati aku, enne kui asute seadet remontima, puhastama, tarvikuid vahetama või kinni jäänud objekte eemaldama.

⚠ HOIATUS: Ärge kasutage lisaseadmeid või -tarvikuid, mida selle toote valmistaja pole soovitanud. Mittesoovitavate lisaseadmete või -tarvikute kasutamine võib põhjustada raskeid kehavigastusi.

Kontrollige enne iga kasutuskorda kogu toodet, et ei esineks kahjustunud, puuduvaid või lahtisi osi, nt kruve, mutreid, polte, korke vms. Kinnitage kõik kinnitused ja korgid ning ärge kasutage toodet, kuni kõik puuduvad või kahjustatud osad on välja vahetatud.

SIHTOTSTARVE

Seda toodet võib kasutada allpool loetletud eesmärkidel:

- Väetiste kasutamine ja taimede kastmine.
- Herbitsiidide, pestitsiidide ja fungitsiidide pihustamine.

MÄRKUS: Toode on mõeldud ainult aianduslikuks ja põllumajanduslikuks kasutamiseks.

MÄRKUS: Seadet tohib kasutada vaid käesolevas juhendis lubatud eesmärgil. Igasugust muud kasutust loetakse väärkasutuseks.

⚠ HOIATUS: Kemikaalide või lahuste ebaõige kasutamine võib põhjustada TÕSISE VIGASTUSE või SURMA. Järgige keemiatootja ohutusjuhiseid ja ohutuskaardil loetletud juhiseid.

PAAGI TÄITMINE (JOONIS C)

⚠ HOIATUS: Järgige alati kemikaalitootja kasutus-, puhastamis- ja ladustamisjuhiseid, mis on trükitud nende toote etiketile. Ärge segage kemikaale. Puhastage paak põhjalikult pärast iga kasutuskorda, järgides selle juhendi jaotises „HOOLDUS“ toodud juhiseid. Kemikaalid tuleks hoida lastele kättesaamatus kohas. Selle nõude rikkumine võib põhjustada tõsiseid isikuvigastusi.

⚠ HOIATUS: Vigastuste ja tasakaalu kaotuse vältimiseks veenduge, et paaki lisatud vedeliku kogus ei ületaks aiapritsikogukaalu, sealhulgas masin, paagis olev vedelik ning kasutatav düüs ja aku 25 kg.

Vedelaid kemikaale, mida pihustatakse, peab olema sama vedelad, kui vesi. Paksemaid vedelikke on raskem pihustada. Ärge täitke paaki üle.

1. Eemaldage aku.
2. Keerake paagi kork vastupäeva lahti ja eemaldage see paagist.
3. Asetage aiaprits tasasele pinnale.
4. Täitke paak soovitud koguse veega.
5. Mõõtk soovitatav kogus vedelat kemikaali.
6. Valage vedel kemikaal ettevaatlikult paaki.
7. Keerake paagi kork tagasi veendudes, et see on kindlalt kinni keeratud.

Pihustuslahuseid võib eelnevalt segada ja valada aiapritsi.

MÄRKUS: Kui kasutate vedeliku hoidmiseks mõtteanumat, puhastage ja loputage anum pärast kasutamist põhjalikult. Pihustuslahuse eelneval segamisel loputage segamiseks kasutatud anumad.

MÄRKUS: Oluline on pihustit pärast iga kasutuskorda põhjalikult puhastada. Vedeliku pikemaks ajaks aiapritsi sisse jätmine võib põhjustada selle liikuvate osade ja ühenduste kinni kiulumist.

AKUPLOKI PAIGALDAMINE/EEMALDAMINE

Kasutage ainult joonisel A2 esitatud EGO akuplokke ja laadureid.

Lisateavet leiate vastavatest akuplokkide ja laadijate kasutusjuhenditest.

Enne esmakasutamist laadige täielikult täis.

1. Tõstke akupesa kate üles, tõstes kate esiosa (joonis D1).
2. **Kinnitamiseks** joondage aku ribad paigaldussoontega ja suruge akuplokki alla kuni kuulete klõpsatust (joonis D1).

3. **Eemaldamiseks** vajutage akuvabastusnuppu ja tõmmake aku välja (joonis D2).
4. Sulgege patareipesa kaas.

⚠ HOIATUS: Akuvabastusnuppu vajutades arvestage alati oma jalgade ning läheduses viibivate laste ja loomade asukohaga. Akuploki kukkumine võib põhjustada raskeid vigastusi. Akuploki ei tohi eemaldada kõrges kohas töötades.

⚠ HOIATUS: Veenduge, et enne töö alustamist oleks aiapritsi kinnitusklamber oma kohale klõpsatud, aku oleks pihusti külge kinnitatud ja akupes a kate täielikult suletud. Kui akuploki ei asetata kindlalt kohale, võib akuplokk välja kukkuda, põhjustades tõsiseid kehavigastusi.

⚠ HOIATUS: Tõsiste vigastuste vältimiseks eemaldage enne tööriista kandmist või transportimist alati aku ja hoidke käed eemal juhtkäepidemest.

SELJASKANTAVA AIAPRITSI PAIGUTAMINE

⚠ HOIATUS: Kandke sobivat riietust, et vähendada vigastuste ohtu tööriista kasutamisel. Ärge kandke kehas eemale hoidvaid ehteid ega riideid. Kandke silmakaitsevahendeid. Kandke tugevast materjalist pikki pükse, saapaid ja kindaid. Ärge kandke trimmeriga töötades lühikesi pükse ega sandaale ja ärge töötage paljajalu.

Enne seljaskantava aiapritsi kasutamist veenduge, et kasutaja kannab kaitseprille ja korralikku riietust ning suudab säilitada kindlat ja tasakaalustatud asendit.

Tugirakmete reguleerimine

1. Lükake käed läbi seljakoti rihmade, et toetada aiapritsi oma seljale.
2. Reguleerige mõlemad õlarihmad ajutiselt mugavasse asendisse (Joonis E1), veendudes, et teie küünarnukil on mugav.
3. Kinnitage rinnapannal ja reguleerige vajaduse korral rinnarihma pikkust (Joonis E2).
4. Kinnitage võõrihma lukud ja reguleerige võõrihma pikkust nii, et seljakott oleks kindlalt puusadele toetatud (Joonised E3 ja E4).

MÄRKUS: Seljakott ei tohiks istuda liiga kõrgel seljas; see peaks asetsema puusadele lähemal kui õlgadele.

⚠ HOIATUS: Hädaolukorras vabastage kohe rinna- ja vööpandlad, et eemaldada seljakoti mõlemalt küljelt rihm.

See on kiirvabastuse meetod.

5. Reguleerige õlarihmasid uuesti, et tagada turvalisus ja mugavus. Veenduge, et aiapritsi seljakott oleks teil kindlalt seljas nii, et võõrihm toetaks selle raskust ja et see liigselt ei liiguks, kui te liigutate (Joonis. E5).
6. Sisestage võõrihma lisapikkus ümber vöökohta kummalegi poole läbi kummiaasa (Joonis E6).
7. Aiapritsi seljast mahavõtmiseks vajutage vöö- ja rinnapannalt, vabastage need ja laske aiapritsi alla (Joonis E7).

AIAPÜSTOLI KÄIVITAMINE/SEISKAMINE (JOOIS F)

Kiiruse reguleerimisketas

1. Voolukiiruse suurendamiseks keerake kiiruse reguleerimisketast päripäeva.

F-1	Kiiruse reguleerimisketas	F-3	SEES/VÄLJAS päästik
F-2	Lukustushoob		

2. Vooluhulga vähendamiseks keerake kiiruse reguleerimisketast vastupäeva.
3. Aiapritsi peatamiseks keerake reguleerimisketas „OFF“ asendisse.

⚠ HOIATUS: Tahtmatu käivitamise ärahoidmiseks, keerake reguleerimisketas väljalülitatud asendisse (punane täpp kettal osutab pihustusvardale).

⚠ HOIATUS: Enne masina hoiustamist, pikaks ajaks jätmist või aku vahetamist keerake alati kiiruse reguleerimisketas väljalülitatud asendisse (punane täpp nupul osutab pihustusvardale).

SEES/VÄLJAS päästik

1. Aiapritsi sisselülitamiseks vajutage SISSE/VÄLJA päästikule.
2. Voolu peatamiseks vabastage päästik.

Lukustushoob

Lukustushoob on mugav, kui pihustate pika aja jooksul või katate suurt ala.

1. SISSE/VÄLJA päästiku lukustamiseks, vajutage päästiku vajutamise järel lukustushooba.
2. ON/OFF päästiku vabastamiseks tõmmake lukustushooba.

MÄRKUS: Veenduge, et päästik ei ole lukustatud enne aku sisestamist aiapritsi sisse.

DÜÜSIDE KOHANDAMINE JA VAHETAMINE

⚠ HOIATUS: Tõsiste kehavigastuste vältimiseks eemaldage aku enne düüside reguleerimist või vahetamist.

Aiapriti on varustatud nelja düüsiga: Reguleeritav düüs, lehvikdüüs, vihmutusdüüs ja vahutusdüüs. Vahetage düüs enne töö alustamist, et see sobiks käesoleva ülesandega.

Reguleeritav düüs (Joonis G1): Kohtpihustamiseks lillepeenardele, kõnniteele, sissesõiduteele, terrassidele ning puude ja põõsaste ümber. Piirded piki piirdeaedu, sõidu- ja kõnniteid. Umbrohu hävitamine.

Lehvikdüüs (Joonis G3): Lame pihusti väga laia katvuse ja suurema viskoossusega vedelike jaoks. Suurte alade ettevalmistamine istutamiseks.

G-1	Lehvikdüüs	G-3	Vahustamisdüüs
G-2	Vihmutusdüüs		

Dušiotsik (Joonis G3): Väljastab suurema veekoguse taimede kastmiseks ja töötlemiseks.

Vahustamisdüüs (Joonis G3): Märgistab nähtavalt töödeldud umbrohud. Kohtpihustamine umbrohtudele murus, lillepeenarde, puude ja põõsaste ümber. Piirded piki piirdeaedu, sõidu- ja kõnniteid.

Reguleeritava düüsiga saab reguleerida voolu ja pihustamise vahel (Joonis G1).

1. Vedelikuvoo saamiseks pöörake düüsi soonilist (tekstuuriga) osa vastupäeva.
2. Pihustusvoo saamiseks pöörake düüsi soonilist (tekstuuriga) osa päripäeva.

Düüsi eemaldamiseks ja vahetamiseks keerake kogu düüs vastupäeva lahti (Joonis G2).

Erinevate düüside voolukiirused:

	Nimivoolu- hulk (l/min)	Maksimaalne töörõhk (l/min)	Optimaalne töörõhk (l/min)
Reguleer- itav düüs	2,3	2,7	2,4
Lehvikdüüs	2,3	2,7	2,4
Vihmutus- düüs	2,3	2,9	2,7
Vahustam- isdüüs	2,3	2,7	2,4

KODU JA -AIANDUSKEMIKAALIDE PIHUSTAMINE

258

56-VOLDISE LIITIUMIOONAKUGA SELJASKANTAV AIAPRITS — BSP3500E

(Joonis H)

⚠ HOIATUS: Ärge kunagi suunake varda düüsi enda või teiste poole.

⚠ HOIATUS: Aiapritsi kasutamisel ärge kunagi suitsetage, sööge ega jooge.

⚠ HOIATUS: Ärge kunagi pihustage inimeste või loomade suunas; alati pihustage allatuult.

⚠ HOIATUS: Tulekahju või plahvatuse oht. Pihustamisala peab olema hästi ventileeritud ja eemal sädemetest või leekidest.

1. Paigaldage aku.
2. Pöörake kiiruse reguleerimisketast soovitud voolukiiruse seadmiseks.
3. Suunake pihusti düüs otse taimedele või objektidele, mida soovite pihustada.

MÄRKUS: Veenduge, et seisate piisavalt kaugel pihustatavast objektist, et vältida tagaspritsimist.

4. Aiapritsi käivitamiseks vajutage päästikule.
5. Aiapritsi peatamiseks vabastage päästik.
6. Tühjendage ja puhastage paak alati pärast iga kasutuskorda vastavalt jaotises „HOOLDUS” toodud juhisteile.

PRAKTILISED NÕUANDED

- Kohandage rakmete õlarihmasid nii, et aiaprits asuks teie vöö kohal ja paak oleks tihedalt vastu teie selga.
- Vältige pihustamist tuulistel päevadel. Pihustatav vedelik võib kogemata sattuda taimedele või objektidele, mida ei tohiks pritsida.
- Kasutage aiapritsi varahommikul või hilisel pärastlõunal, eriti soojema ilmaga. Liigne kuumus võib pihustatava aine aurustada.

HOOLDUS

⚠ HOIATUS: Remontimisel kasutage vaid originaalvaruosi. Mis tahes muude osade kasutamine võib põhjustada ohtlikke olukordi või toodet vigastada. Turvalisuse ja vastupidavuse tagamiseks peab kõiki parandustöid läbi viima kvalifitseeritud hooldustehnik.

⚠ HOIATUS: Tõsiste kehavigastuste vältimiseks eemaldage aku pihusti hooldamisel, puhastamisel, düüside vahetamisel, hooldustööde tegemisel või kui aiaprits ei ole

kasutusel. Akuga aiaprits on ühendatud aku korral alati kasutusvalmis ja võib juhuslikult käivituda.

ÜLDHOOLDUS

Aiapritsi kõiki hooldustoiminguid, välja arvatud neid, mis on loetletud siinsetes hooldusjuhistes, peavad läbi viima kogemustega hooldustehnikud.

PUHASTAMINE

Vältige plastosade puhastamisel lahustite kasutamist. Enamik plastmaterjalid on vastuvõtlikud müügil olevatest lahustitest tulenevatele kahjustustele. Mustuse, tolmu, õli, määride jms eemaldamiseks kasutage puhast lappi.

⚠ HOIATUS: Ärge kunagi laske pidurivedelikel, bensiinil, naftal põhinevatel toodetel, läbitungivatel õlidel jms plastosadega kokku puutuda. Kemikaalid võivad plasti vigastada, nõrgestada või hävitada, mille tulemusena võivad tekkida rasked kehavigastused.

⚠ HOIATUS: Aiapritsi puhastamisel ÄRGE sukeldage seda vee ega ühegi teise vedeliku sisse.

⚠ HOIATUS: Hoidke ja utiliseerige kemikaale alati nõuetekohaselt. Saastunud loputusvee kõrvaldamine peaks toimuma vastavalt kohalikele määrustele ja eeskirjadele.

- Kui pärast pihustamist jääb paaki vedelikku, tühjendage paak enne puhastamist.
- Aiapritsi välispinna puhastamiseks kasutage alati vaid pehmet ja kuiva lappi; ärge kunagi kasutage puhastusvahendit või alkoholi.
- Täida paak umbes kolmandiku ulatuses puhta veega. Pihustage, kuni paak on tühjendatud. Veenduge, et suunaksite aiapritsi alale, mida pihustilahus ei kahjustaks.
- Täitke uuesti ja korrake protseduuri puhta veega. Kui tekib vajadus paagi täiendavaks loputamiseks, siis tühjendage mahuti nii, nagu ülalpool kirjeldatud.
- Laske kõikidel osadel enne kokkupanekut ja seadme hoiustamist täielikult kuivada.

DÜÜSI HOOLDAMINE

⚠ HOIATUS: Veelekete vältimiseks veenduge, et kõiki pihustusdüüsi hooldustöid teostatakse nõuetekohaselt. Lekked võivad tekitada libeda pinna, tekitades libisemis- ja kukkumisohtu või põhjustada varalist kahju.

Ebakorrapäraste pihustusmuustrite või lekete põhjuseks võib olla ummistunud või määrdunud düüs.

1. Lülitage aiaprits välja ja eemaldage aku.
2. **Reguleeritava düüsi puhastamiseks (Joonis I1):**
 - a. Keerake lahti ja eemaldage reguleeritava düüsi sooneline (tekstuuriga) osa.
 - b. Mistahes prahi eemaldamiseks lükake peenike traat (ei kuulu komplekti) läbi ristavade. Vajadusel loputage ristavaasid ja düüsi puhta veega.
 - c. Pühkige düüs puhtakse puhta kuiva lapiga ja kinnitage düüs uuesti.
3. **Lehviküüsi ja vahutusdüüsi puhastamiseks (Joonis I2):**
 - a. Keerake düüs pihustusvarda küljest lahti ja eemaldage see.
 - b. Mistahes prahi eemaldamiseks lükake peenike traat (ei kuulu komplekti) läbi ava. Vajadusel loputage otsikut puhta veega.
 - c. Pühkige düüs puhtakse puhta kuiva lapiga ja kinnitage düüs uuesti.

TRANSPORTIMINE JA LADUSTAMINE (Joonis L)

- Eemaldage aku.
- Pöörake kiiruse reguleerimisnupp välja lülitatud asendisse (punane täpp nupul osutab pihustusvardale).
- Puhastage aiaprits põhjalikult.
- Tühjendage paak, voolik ja pihustusvarras.

MÄRKUS: Enne hoiustamist, eriti enne talve veenduge, et paak, voolik ja pihustusvars oleksid tühjad, et vältida masina külmumist ja kahjustusi, mis põhjustavad ületalve hoidmise järel käivitumise ebaõnnestumise.

- Kinnitage pihustustoru alusele ja hoiustamisklambri külge.

J-1	Hoiustamisklamber	J-3	Kandekäepide
J-2	Alus		

- Tõstke aiapritsi kandesangast või kandke seda teisaldamise ajal tugirakmete abil.
- Hoidke aiapritsi siseruumides, hästi ventileeritavas kohas.
- Hoidke seda eemal korrodeerivatest ainetest (nt aiakemikaalid ja jääsalatussoolad).

ET

EGO

Keskkonnakaitse



Ärge visake elektriseadmeid, kasutatud akut ega laadurit olmeprügi hulka!

Viige toode volitatud taaskäitleja juurde ja võimaldage selle komponendid sorteerituna kõrvaldada. Elektritööriistad tuleb viia keskkonnakaitseenõudeid järgivasse jäätmekäitluskeskusesse.

ET

260

56-VOLDISE LIITUMIOONAKUGA SELJASKANTAV AIAPRITS — BSP3500E

TÖRKEOTSING

PROBLEEM	PÕHJUS	LAHENDUS
Aiaprits ei käivitu.	<ul style="list-style-type: none"> ■ Aku ei ole akupessa nõuetekohaselt sisestatud. ■ Aiapritsi ja aku vahel puudub elektriühendus. ■ Aku on tühi. ■ Aku või aiaprits on liiga kuumad. 	<ul style="list-style-type: none"> ■ Kontrollige, kas aku on täielikult akupesasse sisestatud. ■ Eemaldage aku, kontrollige ühendusi ja paigaldage aku uuesti. ■ Laadige akut. ■ Lülitage aiaprits välja ja laske akul või aiapritsil maha jahtuda, kuni temperatuur langeb soovitatud töötemperatuuri vahemikku.
Mootor töötab, kuid aiapritsist ei tule midagi välja.	<ul style="list-style-type: none"> ■ Madal vedelikutase paagis. ■ Düüs on töötamise ajal ummistunud. 	<ul style="list-style-type: none"> ■ Kontrollige ja veenduge, et paagis on piisavalt vedelikku. ■ Puhastage düüs(id) vastavalt peatükile „DÜÜSIDE HOOLDUS” ja pange need uuesti kokku vastavalt juhistele.
Vedelik lekib juhtkäepideme ja varda vahelt.	<ul style="list-style-type: none"> ■ Pihustusvarda otsakork on lahti. 	<ul style="list-style-type: none"> ■ Pingutage otsakorki.
Vedelik lekib pihustusvarda ja düüsi vahelt.	<ul style="list-style-type: none"> ■ Düüs on lahti või valesti paigaldatud. 	<ul style="list-style-type: none"> ■ Paigaldage düüs uuesti õigesti ja tihedalt vastavalt peatükile „DÜÜSIDE REGULEERIMINE JA HOOLDUS”.

GARANTII

EGO GARANTIIPÕHIMÕTTED

EGO garantiipoliitika täielike tingimuste vaatamiseks külastage veebisaiti egopowerplus.eu.

ET

ПРОЧИТАЙТЕ ВСІ ІНСТРУКЦІЇ!



ПРОЧИТАЙТЕ ПОСІБНИК З ЕКСПЛУАТАЦІЇ

⚠ ПОПЕРЕДЖЕННЯ. Для гарантування безпеки та надійності всі ремонтні роботи повинен проводити кваліфікований технічний спеціаліст.

⚠ ПОПЕРЕДЖЕННЯ. Перш ніж користуватися цим інструментом, обов'язково ознайомтеся з усіма інструкціями з безпеки, наведеними в цьому посібнику користувача, зокрема з усіма символами попереджень, такими як «**НЕБЕЗПЕКА**», «**ПОПЕРЕДЖЕННЯ**» та «**ЗАСТЕРЕЖЕННЯ**». Недотримання наведених нижче вказівок може спричинити ураження електричним струмом, пожежу та/або серйозні травми.

ЗБЕРІГАЙТЕ ВСІ ПОПЕРЕДЖЕННЯ ТА ІНСТРУКЦІЇ ДЛЯ ВИКОРИСТАННЯ В МАЙБУТЬОМУ.

СИМВОЛИ, ЩО СТОСУЮТЬСЯ БЕЗПЕКИ

⚠ ПОПЕРЕДЖЕННЯ. Використання будь-яких електроінструментів може призвести до потрапляння сторонніх предметів в очі, що може спричинити серйозне пошкодження очей. Перед початком експлуатації електроінструмента завжди надягайте закриті захисні окуляри або відкриті захисні окуляри з бічними щитами та, якщо потрібно, повнопрофільну захисну маску. Ми рекомендуємо захисну маску широкого розміру для використання поверх окулярів або стандартні відкриті захисні окуляри з бічними щитами.



Попередження щодо безпеки



Щоб зменшити ризик травми, користувач повинен ознайомитися з інструкцією користувача перед використанням цього виробу.



Надягайте захисний одяг.



Тримайте сторонніх подалі під час обприскування.



Надягайте захисну маску.



Цей виріб відповідає чинним директивам ЄС.



Гарантований рівень звукової потужності. Розповсюдження шуму в навколишнє середовище згідно з директивою Європейського співтовариства.



Цей виріб відповідає чинному законодавству Великобританії.



Відходи електричних виробів не слід викидати разом із побутовим сміттям. Зверніться до авторизованого пункту переробки.



Захист від бризок води



Постійний струм



На хвилину



Напруга



Швидкість холостого ходу

мм Міліметр

ЗАГАЛЬНІ ПОПЕРЕДЖЕННЯ ЩОДО БЕЗПЕКИ

▲ ПОПЕРЕДЖЕННЯ. Прочитайте всі попередження з безпеки, інструкції, ілюстрації та характеристики, надані з цим інструментом. Недотримання наведених нижче інструкцій може спричинити ураження електричним струмом, пожежу та/або серйозні травми.

Зберігайте всі попередження та інструкції для використання в майбутньому.

Термін «електроінструмент» у попередженнях стосується електричного інструмента, що працює від електромережі (через шнур) або від акумулятора (без шнура).

БЕЗПЕКА В РОБОЧІЙ ЗОНІ

- **Робоче місце має бути чистим і гарно освітленим.** Неприбрана або погано освітлена робоча зона може стати причиною нещасного випадку.
- **Не працюйте з інструментом у вибухонебезпечному середовищі, наприклад за наявності легкозаймистих рідин, газів або пилу.** Під час роботи інструмента утворюються іскри, від яких можуть зайнятися пил або випари.
- **Дітям і спостерігачам заборонено перебувати поруч з електроінструментом, що працює.** Це може відволікати вас і призвести до втрати контролю.

ЕЛЕКТРОБЕЗПЕКА

- **Штепсельні вилки електроінструмента мають підходити до розеток.** Заборонено модифікувати вилку будь-яким чином. **Не використовуйте жодні перехідники для роботи із заземленими електроінструментами.** Використання штепселів і розеток, у які не вносилися зміни, зменшує ризик ураження електричним струмом.
- **Уникайте контакту частин тіла із заземленими поверхнями, такими як труби, батареї, плити й холодильники.** У разі заземлення тіла збільшується ризик ураження електричним струмом.
- **Бережіть електроінструмент від дощу та вологи.** Вода, що потрапила в інструмент, підвищує ризик ураження електричним струмом.
- **Поводьтесь обережно зі шнуром живлення. Ніколи не використовуйте шнур живлення для перенесення, перетягування або вимкнення інструмента.** Бережіть шнур живлення від

джерел тепла, мастил, гострих країв та рухомих частин. Пошкоджені або заплутані шнури живлення підвищують ризик ураження електричним струмом.

- **Під час роботи з електроінструментом надворі використовуйте подовжувач, призначений для зовнішніх робіт.** Використання подовжувача, призначеного для зовнішніх робіт, зменшує ризик ураження електричним струмом.
- **Якщо роботи з електроінструментом у вологому середовищі не unikнути, скористайтеся пристроєм захисного вимкнення (ПЗВ).** Використання ПЗВ зменшує ризик ураження електричним струмом.

ІНДИВІДУАЛЬНА ТЕХНІКА БЕЗПЕКИ

- **Під час роботи з інструментом будьте уважні, стежте за своїми діями та мисліть розсудливо.** Не працюйте з електроінструментом, якщо ви втомлені або перебуваєте під дією наркотичних речовин, алкоголю чи ліків. Навіть миттєва неувважність під час роботи з інструментом може призвести до серйозної травми.
- **Використовуйте засоби особистого захисту.** Завжди носіть засоби захисту очей. Використання у відповідних умовах таких захисних засобів, як протипиловий респіратор, неслизьке захисне взуття, шолом-каска і навушники допоможе зменшити ризик травмування.
- **Уникайте випадкового запуску інструмента.** Перш ніж підключати електроінструмент до мережі живлення чи акумулятора, брати або переносити його, перевірте, чи встановлено перемикач у положення «вимкнено». Якщо переносити електроінструмент, тримаючи палець на вимикачі, або підключати його до джерела живлення, коли вимикач перебуває в положенні «увімкнено», це може призвести до травмування.
- **Перш ніж вимкати інструмент, слід зняти всі регульовальні клинці або гайкові ключі.** Якщо залишити такий ключ на рухомій частині інструмента, це може призвести до травмування.
- **Не перенапружуйтеся.** Завжди міцно стійте на ногах і втримуйте рівновагу. Це дає змогу краще керувати інструментом у разі виникнення непередбачуваних ситуацій.
- **Одягайтеся належним чином.** Не носіть вільний одяг або біжутерію. Стежте за тим, щоб волосся та одяг не потрапили на рухомі частини. Вільний одяг, біжутерія або довге волосся можуть потрапити в рухомі частини.
- **Якщо пристрій обладнано системою видалення**

UK

пилу, переконайтеся, що її правильно підключено, та що ви використовуєте її належним чином. Використання пристрою для збирання пилу може зменшити небезпеку, пов'язану з пилом.

- Не дозволяйте навичкам, отриманим після частого використання інструментів, змусити вас стати самовпевненими та ігнорувати принципи безпеки інструмента. Недбала дія може спричинити серйозну травму протягом доли секунди.

ВИКОРИСТАННЯ ТА ДОГЛЯД ЗА ІНСТРУМЕНТОМ

- Не застосовуйте силу до інструмента. Використовуйте належний електроінструмент відповідно до потреби. Правильно підібраний електроінструмент допоможе краще та безпечніше зробити роботу зі швидкістю, яка для нього передбачена.
- Не використовуйте інструмент, якщо вимикач не вмикає або не вимикає його. Усі електроінструменти, якими неможливо керувати за допомогою перемикача, становлять небезпеку й підлягають ремонту.
- Перш ніж проводити будь-які регулювання, замінювати приладдя або перед зберіганням слід виїняти штепсель з джерела живлення та/або виїняти з інструмента акумулятор, якщо він знімний. Такі запобіжні заходи безпеки зменшують ризик випадкового вмикання інструмента.
- Зберігайте інструменти, що не використовуються у недоступному для дітей місці та не дозволяйте особам, які не знайомі з інструментом або цими інструкціями, керувати ним. Електроінструменти становлять небезпеку в руках недосвідчених користувачів.
- Обслуговуйте інструменти та приладдя. Перевіряйте їх на предмет розладнання чи блокування рухомих частин, а також будь-яких обставин, які можуть вплинути на роботу інструмента. У разі пошкодження електроінструмент слід здати в ремонт, перш ніж користуватися ним. Часто нещасні випадки трапляються внаслідок неналежного технічного обслуговування інструментів.
- Тримайте різальні інструменти гострими й чистими. Належним чином доглянуті ріжучі інструменти з гострими ріжучими краями рідше блокуються, і ними легше керувати.
- Користуйтеся електроінструментом, приладдям і насадками для інструмента згідно з цією інструкцією, зважаючи на робочі умови та

роботу, яку слід виконати. Використання електроінструмента не за призначенням може стати причиною виникнення небезпечних ситуацій.

- Підтримуйте ручки та захватні поверхні сухими, чистими, без жиру та бруду. Слизькі ручки та захватні поверхні не дають змоги безпечно тримати та керувати інструментом у непередбачених ситуаціях.

ВИКОРИСТАННЯ ТА ДОГЛЯД ЗА АКУМУЛЯТОРНИМ ІНСТРУМЕНТОМ

- Заряджайте лише за допомогою зарядного пристрою, вказаного виробником. Зарядний пристрій, який підходить для акумуляторів одного виду, може спричинити ризик пожежі у випадку його використання з іншим акумулятором.
- З інструментом слід використовувати лише призначені для нього акумуляторні батареї. Використання будь-яких інших акумуляторних батарей може призвести до травми або пожежі.
- Коли акумулятор не використовується, його слід тримати окремо від металевих предметів – затискачів паперу, монет, ключів, цвяхів, шурупів та інших дрібних предметів, які можуть замкнути клемми. Коротке замикання клем акумулятора може стати причиною опіків чи пожежі.
- У надто важких умовах експлуатації з акумулятора може витікати рідина; не доторкайтесь до неї. Якщо випадково ви все ж торкнулися її, слід промити це місце водою. Якщо рідина потрапила в очі, слід також звернутися до лікаря. Рідина, яка виступає з акумулятора, може спричинити подразнення або опіки.
- Не використовуйте акумуляторну батарею або інструмент, які пошкоджено або змінено. Пошкоджені або змінені акумулятори можуть мати непередбачувану поведінку, що може спричинити пожежу, вибух або ризик травмування.
- Не піддавайте акумуляторну батарею або інструмент дії вогню або високих температур. Вогонь або температура вище 130! може спричинити вибух.
- Дотримуйтесь усіх інструкцій щодо зарядження та не заряджайте акумуляторну батарею або інструмент за межами температурного діапазону, зазначеного в інструкціях. Зарядження неналежним чином або при температурах за межами вказаного діапазону може пошкодити акумулятор і збільшити ризик виникнення пожежі.

СЕРВІС

- Обслуговування інструмента повинен виконувати кваліфікований ремонтник з використанням лише ідентичних запасних частин. Це забезпечить надійну роботу інструмента.
- Ніколи не ремонтуйте пошкоджені акумулятори. Сервісне обслуговування акумуляторних батарей має виконувати лише виробник або авторизовані постачальники послуг.

ВКАЗІВКИ З БЕЗПЕКИ ДЛЯ АКУМУЛЯТОРНОГО ОБПРИСКУВАЧА

▲ НЕБЕЗПЕКА. Ризик пожежі або вибуху. Не розпилюйте легкозаймисті рідини, наприклад бензин.

▲ ПОПЕРЕДЖЕННЯ.

- Щоб уникнути травм, завжди використовуйте засоби захисту очей, органів дихання та шкіри.
- Щоб зменшити ризик ураження електричним струмом, не допускайте перебування приладу під дощем.
- Тільки для використання в побуті та поза приміщенням.
- Не розпилюйте легкозаймисті або горючі рідини в замкнутому просторі. У разі розпилення горючої рідини існує небезпека пожежі або вибуху, особливо в обмеженому просторі.
- Зона розпилення має бути добре провітрюваною.
- Не паліть під час розпилення і не обприскуйте в місцях, де є іскри або полум'я.
- Перед заповненням резервуара завжди знімайте акумуляторну батарею. Перш ніж вставити акумуляторну батарею, витріть проливу рідину. Дотримання цього правила зменшить ризик ураження електричним струмом і потрапляння в акумуляторну батарею агресивних рідин, які можуть спричинити її несправність, зокрема коротке замикання, що призведе до задимлення, пожежі та/або серйозних травм.
- Не допускайте потрапляння струмопровідних або корозійних рідин усередину акумуляторної батареї. Якщо на акумуляторну батарею потрапили струмопровідні або корозійні рідини, дотримуйтеся інструкцій, наведених у посібнику з експлуатації акумуляторної батареї.
- Перед використанням матеріалів для розпилення в цьому обприскувачі уважно прочитайте етикетку на оригінальній тарі з матеріалом і дотримуйтеся вказівок на ній. Деякі матеріали для розпилення є небезпечними й не мають використовуватися в цьому обприскувачі, оскільки вони можуть пошкодити обприскувач і спричинити серйозні тілесні ушкодження або пошкодження майна.
- Дізнайтеся склад розпилюваної хімічної речовини. Прочитайте всі паспорти безпеки (SDS) і етикетки на контейнерах, що надаються з хімічною речовиною. Дотримуйтеся інструкцій виробника хімічних речовин щодо безпеки.
- Небезпека ураження електричним струмом. Ніколи не розпилюйте в напрямку електричних розеток.
- Не наливайте гарячі або киплячі рідини в резервуар. Це може послабити або пошкодити трубки чи резервуар.
- Уникайте розпилення у вітряні дні. Розпилювана рідина може випадково потрапити на рослини або предмети, які не слід обприскувати.
- Зберігайте обприскувач у безпечному, добре провітрюваному приміщенні з порожнім резервуаром для рідини.
- Не розпилюйте відбілювач або перекис водню.
- Не розпилюйте хімічні речовини на основі спирту.
- Не розпилюйте порошки або абразивні хімікати.
- Не розпилюйте їдкі (лужні) або самонагрівальні рідини.
- Не використовуйте екологічно небезпечні хімічні речовини, заборонені місцевим законодавством.
- Не спрямовуйте насадку обприскувача в бік людей або домашніх тварин.
- Ніколи не дозволяйте дітям, особам з обмеженими фізичними, сенсорними або розумовими можливостями, відсутністю досвіду та знань або людям, не ознаямленим із цими інструкціями, використовувати інструмент.
- Оператор або користувач несе відповідальність за нещасні випадки або виникнення непередбачених ситуацій з іншими людьми або їхнім майном.
- Обприскувач слід використовувати тільки із засобами захисту рослин, дозволеними місцевими/національними регуляторними органами для використання з наплічними обприскувачами.

UK


- **Ризик ін'єкції.** Не розпилюйте безпосередньо на шкіру. Не допускайте потрапляння частин тіла в зону розпилення.
- Після використання обприскувача не залишайте в резервуарі залишки або розпилюваний матеріал. Виконуйте очищення після кожного використання.
- Щоб зменшити ризик пожежі або вибуху, використовуйте рідину з температурою займання вище 60°C.
- Щоб зменшити ризик ураження електричним струмом, не занурюйте обприскувач у воду або іншу рідину. Не розміщуйте й не зберігайте обприскувач там, де він може власти або де його можуть потягнути у ванну або раковину.
- Обслуговуйте цей виріб. Ретельно оглядайте обприскувач зсередини та ззовні, а також перевіряйте компоненти перед кожним використанням. Перевірте, чи немає тріщин і пошкоджень резервуара, витоків, забитих насадок, а також відсутніх або пошкоджених деталей. У разі пошкодження виріб слід здати в ремонт, перш ніж користуватися ним. Часто нещасні випадки трапляються внаслідок неналежного технічного обслуговування виробів.
- Вимкніть вимикач живлення, коли обприскувач не використовується, а також перед обслуговуванням або очищенням.
- Перед зливанням, очищенням або зберіганням обприскувача від'єднайте акумулятор від пристрою. Такі запобіжні заходи знижують ризик випадкового запуску.
- Завжди носіть засоби захисту органів зору з бічними щитками або захисні окуляри. Недотримання цього правила може призвести до потрапляння рідин в очі, що може спричинити серйозні травми.
- Захистіть свої легені. Носіть схвалені засоби захисту, як-от маски для обличчя, які спеціально розроблені для фільтрування розпилюваних рідин, рукавички та інші відповідні засоби захисту. Дотримання цього правила зменшить ризик серйозних травм. Дотримуйтесь інструкцій із безпеки та рекомендацій виробника хімічних речовин, зазначених у паспорті безпеки (SDS).
- Хімічні речовини та хімічні випари можуть бути небезпечними та спричинити серйозні травми, незворотні пошкодження або смерть у разі їх проковтування, вдихання або потрапляння в очі чи на шкіру. Дотримуйтесь інструкцій із безпеки та рекомендацій виробника хімічних речовин,

зазначених у паспорті безпеки (SDS).

- Щоб зменшити ризик травмування, необхідний пильний нагляд, якщо обприскувач використовується поруч із дітьми.
- Не торкайтеся рухомих частин.
- Використовуйте тільки ті насадки, які рекомендує або продає виробник.
- Уникайте випадкового запуску інструмента. Перш ніж підключати прилад до акумулятора, брати чи переносити його, перевірте, чи встановлено перемикач у положення «вимкнено». Якщо переносити прилад, тримаючи палець на вимикачі, або під'єднати прилади, які ввімкнено вимикачем, до джерела живлення, це може призвести до нещасних випадків.

ЗБЕРЕЖІТЬ ЦЮ ІНСТРУКЦІЮ

ТЕХНІЧНІ ХАРАКТЕРИСТИКИ

Номинальна напруга	56 В 
Макс. Місткість резервуара	15 л
Макс. Робочий тиск	24 бар
Макс. Швидкість потоку розпилення (з регульованою насадкою, режим розпилення)	2,3 л/хв
Діаметр впускного фільтра	35 мм
Розмір комірок впускного фільтра	0,35 мм
Діаметр випускного фільтра	124 мм
Вага (суха вага, без акумуляторної батареї)	7,6 кг
Діапазон рекомендованих робочих температур	5°C-40°C
Діапазон рекомендованих температур зберігання	-20°C-70°C
Рекомендована температура під час заряджання	5°C-40°C

⚠ ПОПЕРЕДЖЕННЯ. Перед використанням наплічного обприскувача переконайтеся, що його загальна вага, включно з машиною, рідиною в резервуарі, насадкою та акумуляторною батареєю, не перевищує 25 кг, щоб уникнути травм і втрати рівноваги.

- Вказане загальне значення вібрації виміряне за стандартним методом тестування і може використовуватися для порівняння одного інструмента з іншим;
- Заявлене сумарне значення вібрації може також використовуватись для попередньої оцінки впливу.

ПРИМІТКА. Емісія вібрації під час фактичного використання електроінструмента може відрізнятися від заявленої величини, у якій використовується інструмент. Щоб захистити оператора, користувач повинен одягати рукавички та захисні навушники в реальних умовах використання.

ПАКУВАЛЬНИЙ СПИСОК (РИС. А1)

ОПИС

ОЗНАЙОМЛЕННЯ З ОБПРИСКУВАЧЕМ (РИС. А1)

1. Шланг
2. Акумуляторний відсік
3. Резервуар
4. Кришка резервуара
5. Ручка для перенесення
6. Регульовані підвісні ремені
7. Регулятор швидкості
8. Важіль блокування
9. Перемикач УВІМК./ВИМК.
10. Ручка керування
11. Торцевий ковпачок
12. Розпилювальна трубка
13. Регульована насадка
14. Віялова насадка
15. Пінна насадка
16. Душова насадка

ЗБИРАННЯ

⚠ ПОПЕРЕДЖЕННЯ. Якщо якісь частини пошкоджені або відсутні, не користуйтеся цим

інструментом, доки вони не будуть замінені. Використання цього виробу з пошкодженими або відсутніми деталями може призвести до серйозних травм.

⚠ ПОПЕРЕДЖЕННЯ. Не намагайтеся вдосконалити цей інструмент або застосувати приладдя, не рекомендоване для нього. Кожна така заміна чи переробка є фактом неправильного користування, створює небезпечні умови і загрожує серйозними травмами.

⚠ ПОПЕРЕДЖЕННЯ. Щоб запобігти випадковому запуску, що може спричинити серйозні травми, завжди виймайте акумуляторну батарею з машини під час монтажу деталей, регулювання, очищення або коли виріб не використовується.

- Цей виріб необхідно зібрати.
- Обережно вийміть інструмент і приладдя з коробки. Перевірте наявність усіх частин, вказаних у пакувальному списку.
- Ретельно огляньте виріб, чи немає частин, поламаних або пошкоджених під час доставки.
- Не викидайте пакувальні матеріали, доки ви уважно не оглянете виріб і не почнете його нормально експлуатувати.
- Якщо будь-які деталі пошкоджені або відсутні, поверніть виріб у місця покупки.

ПІДКЛЮЧЕННЯ РОЗПИЛЮВАЛЬНОЇ ТРУБКИ ДО РУЧКИ КЕРУВАННЯ

1. Надягніть кінцевий ковпачок розпилювача на ручку керування та надійно закрутіть його за годинниковою стрілкою (рис. В).
2. Потягніть за розпилювальну трубку, щоб переконатися, що вона надійно закріплена.

ЕКСПЛУАТАЦІЯ

⚠ ПОПЕРЕДЖЕННЯ. Знання виробу не має робити вас недбалим. Пам'ятайте, що півсекунди неухважності досить для серйозної травми.

⚠ ПОПЕРЕДЖЕННЯ. Користуйтеся засобами індивідуального захисту. Захищайте очі, шкіру та легені під час змішування, наповнення, розпилення та очищення. Недотримання цього правила може призвести до серйозних травм і пошкодження майна.

⚠ ПОПЕРЕДЖЕННЯ. Щоб запобігти серйозним

UK

травмам, вийміть акумуляторну батарею з приладу перед обслуговуванням, очищенням, зміною насадок, заповненням або спорожненням резервуара.

⚠ ПОПЕРЕДЖЕННЯ. Не використовуйте приладдя чи насадки, не рекомендовані виробником цього пристрою. Використання нерекomenдованого приладдя чи насадок може призвести до серйозних травм.

Перед кожним використанням перевіряйте весь виріб на предмет пошкоджень, відсутності або послаблення деталей, таких як гвинти, гайки, болти, кришки тощо. Закріпіть усі затискачі та ковпачки і не використовуйте цей прилад, доки не будуть замінені всі відсутні або пошкоджені деталі.

ПРИЗНАЧЕННЯ

Ви можете використовувати цей виріб для цілей, перелічених нижче:

- Внесення добрив і поливання рослин.
- Розпилення гербіцидів, пестицидів і фунгіцидів.

ПРИМІТКА. Цей виріб призначений лише для використання в садівництві та сільському господарстві.

ПРИМІТКА. Цей виріб має використовуватись тільки за призначенням. Будь-яке інше використання вважається випадком використання не за призначенням.

⚠ ПОПЕРЕДЖЕННЯ. Неправильне застосування хімічних речовин або розчинів може призвести до **СЕРЬОЗНИХ ТРАВМ** або **СМЕРТІ**. Дотримуйтесь інструкцій із безпеки та рекомендацій виробника хімічних речовин, зазначених у паспорті безпеки (SDS).

НАПОВНЕННЯ РЕЗЕРВУАРА (рис. С)

⚠ ПОПЕРЕДЖЕННЯ. Завжди дотримуйтесь інструкцій виробника хімічних речовин, надрукованих на етикетці їхнього продукту, стосовно використання, очищення та зберігання. Не поєднуйте хімікати. Ретельно очищуйте резервуар після кожного використання, дотримуючись інструкцій у розділі «**ОБСЛУГОВУВАННЯ**» цього посібника. Хімічні речовини слід зберігати в місцях, недоступних для дітей. Недотримання цієї вимоги може призвести до серйозних травм.

⚠ ПОПЕРЕДЖЕННЯ. Щоб уникнути травм і втрати рівноваги, переконайтеся, що кількість

рідини, доданої в бак, не призводить до того, що загальна вага обприскувача, включно з машиною, рідиною в резервуарі, використовуваною насадкою та акумуляторною батареєю, перевищує 25 кг.

Рідкі хімікати для розпилення мають бути такими ж рідкими, як вода. Густіші рідини не будуть розпилюватися належним чином. Не переповнюйте резервуар.

1. Вийміть акумуляторну батарею.
2. Відкрутіть кришку резервуара проти годинникової стрілки та зніміть її з резервуара.
3. Поставте розпилювач на рівну поверхню.
4. Наповніть резервуар бажаною кількістю води.
5. Відміряйте рекомендовану кількість рідкого хімікату.
6. Обережно налийте рідкий хімікат у резервуар.
7. Закрутіть кришку резервуара на обприскувач, переконавшись, що вона надійно затягнута.

Розчини для обприскування можна попередньо змішувати й заливати в обприскувач.

ПРИМІТКА. Якщо ви використовуєте мірний контейнер для зберігання рідини, обов'язково ретельно очистьте та промийте контейнер після використання. У разі попереднього змішування робочого розчину промийте ємність, яка використовувалася для змішування.

ПРИМІТКА. Важливо ретельно очищати обприскувач після кожного використання. Якщо залишати рідину в обприскувачі, що не використовується протягом тривалого періоду часу, це може призвести до заклинювання його рухомих частин і з'єднувачів.

УСТАНОВЛЕННЯ І ВИДАЛЕННЯ АКУМУЛЯТОРА

Використовуйте лише акумулятори та зарядні пристрої EGO, перелічені на рис. A2.

Щоб отримати додаткові відомості, див. інструкції відповідних акумуляторів і зарядних пристроїв.

Повністю зарядіть перед першим використанням.

1. Підніміть кришку батарейного відсіку, піднявши передню частину кришки (рис. D1).
2. **Щоб прикріпити,** врівняйте виступи на акумуляторі з кріпильними отворами та натисніть на акумуляторну батарею, доки не почуєте «клацання» (рис. D1).
3. **Щоб від'єднати,** натисніть кнопку звільнення акумулятора та витягніть акумуляторну батарею (рис. D2).

4. Закрийте кришку батарейного відсіку.

⚠ ПОПЕРЕДЖЕННЯ. Завжди звертайте увагу на розташування своїх ніг, дітей або домашніх тварин, коли натискаєте кнопку звільнення батареї. Падіння акумуляторної батареї може призвести до серйозної травми. **НИКОЛИ** не виймайте акумуляторну батарею у високо розташованому місці.

⚠ ПОПЕРЕДЖЕННЯ. Перед початком роботи переконайтеся, що засувка на обприскувачі зафіксована, акумуляторна батарея закріплена на обприскувачі, а кришка батарейного відсіку повністю закрита. Неправильне встановлення акумулятора може призвести до його падіння та серйозної травми.

⚠ ПОПЕРЕДЖЕННЯ. Щоб уникнути серйозних травм, завжди виймайте акумуляторну батарею та тримайте руки подалі від ручки керування, коли підіймаєте або транспортуєте обприскувач.

РОЗМІЩЕННЯ НАПЛІЧНОГО ОБПРИСКУВАЧА

⚠ ПОПЕРЕДЖЕННЯ. Одягайтеся належним чином, щоб зменшити ризик травмування під час використання цього приладу. Не носіть вільного одягу або прикрас. Носіть засоби захисту очей. Носіть важкі, довгі штани, міцне взуття та рукавички. Не носіть шорти, сандалі, не працюйте босоніж.

Перед використанням ранцевого обприскувача переконайтеся, що оператор має захисні окуляри та відповідний одяг, а також може міцно стояти на ногах і зберігати рівновагу.

Регулювання підвісних ременів

1. Просуньте руки через наплічні ремені, щоб тримати обприскувач на спині.
2. Тимчасово відрегулюйте обидва плечові ремені у зручних положеннях (рис. E1), переконавшись, що вашим ліктям зручно.
3. Прикріпіть нагрудну пряжку та за необхідності відрегулюйте довжину нагрудного ременя (рис. E2).
4. Застебніть поясну пряжку та відрегулюйте довжину поясного ременя так, щоб наплічник надійно підтримувався стегнами (рис. E3 та E4).

ПРИМІТКА. Наплічник не має сидіти надто високо на спині; його слід розташувати ближче до стегон, ніж до плечей.

⚠ ПОПЕРЕДЖЕННЯ. У разі виникнення надзвичайної ситуації негайно розстібніть нагрудну та поясну пряжки, щоб зняти лямки наплічника з обох боків. Це спосіб швидкого вивільнення.

5. Відрегулюйте плечові ремені для безпеки та зручності. Переконайтеся, що наплічник надійно сидить на спині, при цьому вага підтримується поясным ременем, і без надмірного руху, коли ви рухаєтеся (рис. E5).
6. Вставте будь-яку зайву частину поясного ременя в резинку з обох боків (рис. E6).
7. Щоб зняти наплічник зі спини, просто натисніть на поясну та нагрудну пряжки, щоб відпустити їх, і опустіть обприскувач (рис. E7).

ЗАПУСК/ЗУПИНКА ОБПРИСКУВАЧА (РИС. F)

Регулятор швидкості

1. Щоб збільшити швидкість потоку, поверніть регулятор швидкості за годинниковою стрілкою.

F-1	Регулятор швидкості	F-3	Перемикач УВІМК./ВИМК.
F-2	Важіль блокування		

2. Щоб зменшити швидкість потоку, поверніть регулятор швидкості проти годинникової стрілки.
3. Обприскувач зупиниться, якщо ви продовжуватимете повертати перемикач у положення «OFF» (Вимкнено).

⚠ ПОПЕРЕДЖЕННЯ. Щоб запобігти ненавмисному запуску, поверніть регулятор швидкості в положення вимкнення (червона крапка на регуляторі вказує на розпилювальну трубку).

⚠ ПОПЕРЕДЖЕННЯ. Перш ніж поставити машину на зберігання, залишити її на тривалий час або замінити акумулятор, завжди переводьте перемикач швидкості у вимкнене положення (червона крапка на перемикачі вказує на розпилювальну трубку).

Перемикач УВІМК./ВИМК.

1. Натисніть на перемикач УВІМК./ВИМК., щоб увімкнути обприскувач.
2. Відпустіть тригер, щоб зупинити потік.

Важіль блокування

Важіль блокування зручний під час тривалого обприскування або для покриття великої площі.

1. Щоб зафіксувати перемикач УВІМК./ВИМК. у положенні «увімкнено», натисніть важіль блокування після натискання на перемикач.
2. Щоб відпустити перемикач УВІМК./ВИМК., потягніть за важіль блокування.

ПРИМІТКА. Переконайтеся, що тригер не заблоковано, перш ніж вставляти акумуляторну батарею в обприскувач.

РЕГУЛЮВАННЯ ТА ЗМІНА НАСАДОК

⚠ ПОПЕРЕДЖЕННЯ. Щоб запобігти серйозним травмам, зніміть акумуляторну батарею перед налаштуванням або зміною насадок.

Обприскувач постачається з чотирма насадками: регульована насадка, віялова насадка, душова насадка та пінна насадка. Змініть насадку перед початком роботи, щоб вона відповідала завданню.

Регульована насадка (рис. G1): Точкове обприскування квіткових клумб, доріжок, під'їзних шляхів, патіо та навколо дерев і кущів. Обробка країв уздовж парканів, під'їзних шляхів і доріжок. Знищення чагарників.

Віялова насадка (рис. G3): плоский розпилювач для дуже широкого покриття та рідин із високою в'язкістю. Підготовка великих ділянок для саджання.

G-1	Віялова насадка	G-3	Пінна насадка
G-2	Душова насадка		

Душова насадка (рис. G3): подає більший потік води для поливу та обробки рослин.

Пінна насадка (рис. G3): візуально позначає оброблені бур'яни. Точкове обприскування бур'янів на газоні, навколо квітників, дерев і кущів. Обробка країв уздовж парканів, під'їзних шляхів і доріжок.

Регульовану насадку можна налаштувати між подачею струменя та розпиленням (рис. G1).

1. Поверніть рифлену (текстуровану) частину насадки проти годинникової стрілки для подачі струменя.
2. Поверніть рифлену (текстуровану) частину насадки за годинниковою стрілкою для розпилення.

Відкрутіть усю насадку проти годинникової стрілки, щоб зняти та замінити насадку (рис. G2).

Витрата різних насадок, що постачаються з обприскувачем:

	Номинальна витрата (л/хв)	Максимальний робочий тиск (л/хв)	Оптимальний робочий тиск (л/хв)
Регульована насадка	2,3	2,7	2,4
Віялова насадка	2,3	2,7	2,4
Душова насадка	2,3	2,9	2,7
Пінна насадка	2,3	2,7	2,4

РОЗПИЛЕННЯ ПОБУТОВИХ І САДОВИХ ХІМІКАТІВ (рис. H)

⚠ ПОПЕРЕДЖЕННЯ. Ніколи не спрямовуйте насадку розпилювальної трубки на себе чи інших.

⚠ ПОПЕРЕДЖЕННЯ. Ніколи не паліть, не їжте й не пийте під час роботи з обприскувачем.

⚠ ПОПЕРЕДЖЕННЯ. Ніколи не розпилюйте в напрямку людей або тварин; завжди розпилюйте за напрямком вітру.

⚠ ПОПЕРЕДЖЕННЯ. Ризик пожежі або вибуху. Зона розпилення має бути добре провітрюваною та бути подалі від іскор або полум'я.

1. Установіть акумуляторну батарею.
2. Поверніть регулятор швидкості, щоб установити бажану швидкість потоку.
3. Спрямовуйте насадку розпилювача безпосередньо на рослини або предмети, які ви бажаєте обприскати.

ПРИМІТКА. Переконайтеся, що ви перебуваєте на достатній відстані від об'єкта обприскування, щоб запобігти повернення брызг до вас.

4. Натисніть на тригер, щоб запустити обприскувач.
5. Відпустіть тригер, щоб зупинити обприскувач.
6. Завжди спорожняйте та очищуйте резервуар після кожного використання, як зазначено в розділі «ОБСЛУГОВУВАННЯ».

ПОРАДИ З ЕКСПЛУАТАЦІЇ

- Відрегулюйте плечові ремені ремня таким чином, щоб обприскувач був вище пояса, а резервуар був щільно притиснутий до спини.
- Уникайте розпилення у вітряні дні. Розпилювана рідина може випадково потрапити на рослини або предмети, які не слід обприскувати.
- Розпилюйте рано вранці або ближче до вечора, особливо в теплу погоду. Надмірна спека може призвести до випаровування розпилюваної рідини, перш ніж вона осяде.

ОБСЛУГОВУВАННЯ

⚠ ПОПЕРЕДЖЕННЯ. Використовуйте для технічного обслуговування лише ідентичні запчастини. Використання будь-яких інших частин створює небезпеку або може призвести до поломки виробу. Для гарантування безпеки та надійності всі ремонтні роботи повинен проводити кваліфікований технічний спеціаліст.

⚠ ПОПЕРЕДЖЕННЯ. Щоб уникнути серйозних травм, вийміть акумуляторний блок з обприскувача перед обслуговуванням, очищенням, заміною насадок, виконанням будь-якого технічного обслуговування або коли обприскувач не використовується. Акумуляторний обприскувач із встановленим акумулятором завжди ввімкнений і може випадково запуститися.

ЗАГАЛЬНИЙ ТЕХНІЧНИЙ ДОГЛЯД

Усі роботи з обслуговування обприскувача, окрім перелічених у цій інструкції, повинен проводити кваліфікований технічний спеціаліст.

ЧИЩЕННЯ

Не використовуйте розчинники для очищення пластмасових деталей. Більшість пластмас чутливі до різноманітних промислових розчинників і можуть бути ними пошкоджені. Для видалення бруду, пилу, мастила тощо користуйтеся чистою ганчіркою.

⚠ ПОПЕРЕДЖЕННЯ. Ніколи не допускайте контакту пластмасових частин із гальмівною рідиною, газоліном, нафтопродуктами, проникаючими оліями й т. ін. Хімікати можуть пошкодити, ослабити або зруйнувати пластмасу, а це загрожує серйозними травмами.

⚠ ПОПЕРЕДЖЕННЯ. Під час очищення обприскувача НЕ занурюйте його у воду або інші рідини.

⚠ ПОПЕРЕДЖЕННЯ. Завжди зберігайте та утилізуйте хімікати належним чином. Утилізація забрудненої промивної води має здійснюватися відповідно до місцевих норм і правил.

- Якщо після розпилення в резервуарі залишилася рідина, злийте її перед очищенням.
- Завжди використовуйте лише м'яку, суху тканину для очищення резервуара ззовні; ніколи не використовуйте мийні засоби або спирт.
- Заповніть резервуар приблизно на одну третину чистою водою. Розпилюйте, доки резервуар не буде спорожнений. Переконайтеся, що обприскувач спрямований на ділянку, яка не буде пошкоджена розчином.
- Заповніть і повторіть процедуру з чистою водою. Можливо, доведеться промити резервуар більше одного разу, а потім знову злити рідину, як зазначено вище.
- Дайте всім частинам повністю висохнути перед складанням і зберіганням приладу.

ОБСЛУГОВУВАННЯ НАСАДКИ

⚠ ПОПЕРЕДЖЕННЯ. Переконайтеся, що всі роботи з обслуговування насадок виконуються належним чином, щоб запобігти витоків води. Витік може призвести до того, що поверхня стане слизькою. Через це можна посколизнутися і впасти, а також це може призвести до пошкодження майна.

Нерівномірне розпилення або витікання води можуть бути наслідком засмічення або забруднення насадки.

1. Вимкніть обприскувач і зніміть акумуляторну батарею.
2. **Очищення регульованої насадки (рис. 11):**
 - a. Відкрутіть і зніміть рифлену (текстуровану) частину регульованої насадки.
 - b. Протягніть тонкий дріт (не входить у комплект) через поперечні отвори для очищення від сміття. За необхідності промийте поперечні отвори та насадку чистою водою.
 - c. Протріть насадку чистою сухою тканиною та встановіть її на місце.
3. **Очищення в'язлової та пінної насадки (рис. 12):**
 - a. Відкрутіть і зніміть насадку з розпилювальної трубки.
 - b. Протягніть тонкий дріт (не входить у комплект) через отвір для очищення від сміття. За потреби промийте насадку чистою водою.

UK

с. Протріть насадку чистою сухою тканиною та встановіть її на місце.

ТРАНСПОРТУВАННЯ ТА ЗБЕРІГАННЯ (рис. J)

- Вийміть акумуляторну батарею.
- Поверніть регулятор швидкості у вимкнене положення (червона крапка на регуляторі вказує на розпилювальну трубку).
- Ретельно очистьте обприскувач.
- Спорожніть резервуар, шланг і розпилювальну трубку.

ПРИМІТКА. Перед зберіганням, особливо перед підготовкою до зими, обов'язково спорожніть резервуар, шланг і розпилювач, щоб запобігти замерзанню та пошкодженню машини, інакше вона не зможе запуститися після зими.

- Закріпіть розпилювальну трубку в основі та затискачі для зберігання.

J-1	Затискач для зберігання	J-3	Ручка для перенесення
J-2	Основа		

- Під час транспортування обприскувача підіймайте його за ручку для перенесення або переносьте за допомогою підвісних ременів.
- Зберігайте обприскувач у приміщенні, у добре провітрюваному місці.
- Тримайте подалі корозійні агенти, такі як садові хімікати та солі проти ожеледі.

Захист довкілля



Не викидайте електричне обладнання, акумулятор і зарядний пристрій у побутові відходи!

Віднесіть цей виріб авторизованому переробнику й надайте його для роздільного збирання.

Електроінструменти необхідно повернути в підприємство, що займається екологічно безпечною переробкою.

УСУНЕННЯ НЕСПРАВНОСТЕЙ

НЕСПРАВНІСТЬ	ПРИЧИНА	ВИРІШЕННЯ
Обприскувач не запускається.	<ul style="list-style-type: none"> ■ Акумуляторна батарея не повністю вставлена в батарейний відсік. ■ Немає електричного контакту між обприскувачем і акумуляторною батареєю. ■ Акумуляторна батарея розряджена. ■ Акумуляторна батарея або обприскувач занадто гарячі. 	<ul style="list-style-type: none"> ■ Перевірте, чи акумуляторну батарею повністю вставлено в батарейний відсік. ■ Вийміть акумуляторну батарею, перевірте контакти та знову встановіть акумуляторну батарею. ■ Зарядіть акумуляторну батарею. ■ Вимкніть обприскувач і дайте акумулятору або обприскувачу охолонути, доки температура не опуститься до рекомендованого діапазону робочих температур.
Мотор працює, але з насадки не виходить розпилювана рідина.	<ul style="list-style-type: none"> ■ Низький рівень рідини в резервуарі. ■ Насадка забилася під час роботи. 	<ul style="list-style-type: none"> ■ Перевірте та переконайтеся, що в резервуарі достатньо рідини. ■ Очистьте насадку(-и) відповідно до розділу «ОБСЛУГОВУВАННЯ НАСАДОК» і знову зберіть їх відповідно до інструкцій.
Рідина витікає між ручкою керування та трубкою.	<ul style="list-style-type: none"> ■ Кінцевий ковпачок трубки ослаблений. 	<ul style="list-style-type: none"> ■ Затягніть ковпачок.
Рідина витікає між розпилювальною трубкою та насадкою.	<ul style="list-style-type: none"> ■ Насадка ослаблена або неправильно встановлена. 	<ul style="list-style-type: none"> ■ Установіть насадку на місце правильно та щільно відповідно до розділу «РЕГУЛЮВАННЯ ТА ЗМІНА НАСАДОК».

ГАРАНТІЯ

ПРАВИЛА ГАРАНТІЇ EGO

Відвідайте вебсайт egopowerplus.eu для отримання повного тексту умов гарантійної політики EGO.

UK

ПРОЧЕТЕТЕ ВСИЧКИ ИНСТРУКЦИИ!



ПРОЧЕТЕТЕ РЪКОВОДСТВОТО НА ОПЕРАТОРА

⚠ ПРЕДУПРЕЖДЕНИЕ: За да осигурите безопасността и надеждността, всички поправки трябва да се извършват от квалифициран сервизен техник.

⚠ ПРЕДУПРЕЖДЕНИЕ: Уверете се, че сте прочели и осъзнали всички инструкции за безопасност в това Ръководство на оператора, включително всички известяващи символи за безопасност, като „ОПАСНОСТ“, „ПРЕДУПРЕЖДЕНИЕ“ и „ВНИМАНИЕ“ преди да използвате този инструмент. Неспазването на всички инструкции изброени долу може да доведе до електрически удар, пожар и/или сериозно нараняване.

ЗАПАЗЕТЕ ВСИЧКИ ПРЕДУПРЕЖДЕНИЯ И ИНСТРУКЦИИ ЗА БЪДЕЩА СПРАВКА.

СИМВОЛИ ЗА БЕЗОПАСНОСТ

⚠ ПРЕДУПРЕЖДЕНИЕ: Експлоатацията на всички електрически инструменти, може да доведе до изхвърляне на чужди предмети към вашите очи, което може да доведе до сериозно нараняване на очите. Преди започване на работа с електрически инструмент, винаги носете предпазни очила със странична защита и визьор за цялото лице, когато е необходимо. Ние препоръчваме предпазна маска с широк визьор за употреба над очила или стандартни предпазни очила със странична защита.



Сигнал за безопасност



За намаляване на опасността от нараняване, потребителят трябва да прочете и разбере ръководството на оператора преди използването на този продукт.



Носете защитно облекло.



Дръжте околните хора надалеч, когато пръскате.



Носете щит за лице.



Този продукт е в съответствие с приложимите директиви на ЕС.



Гарантирано ниво на мощност на звука. Звуковите емисии към околната среда са в съответствие с директивите на европейската общност.



Този продукт е в съответствие с приложимото законодателство на Великобритания.

BG



Отпадъчните електрически продукти не трябва да бъдат изхвърляни заедно с домакинския отпадък. Отнесете го до упълномощено място за рециклиране.

IPX4 Защита от водни пръски



Постоянен ток

.../мин В минута

V Напрежение

n_0 Скорост без натоварване

мм Милиметър

ОБЩИ ПРЕДУПРЕЖДЕНИЯ ЗА БЕЗОПАСНОСТ

▲ ПРЕДУПРЕЖДЕНИЕ: Прочетете всички предупреждения за безопасност, инструкции, илюстрации и спецификации предоставени с тази машина. Неспазването на всички инструкции изброени долу може да доведе до токов удар, пожар и/или сериозно нараняване.

Запазете всички предупреждения и инструкции за бъдеща справка.

Терминът „машина“ в предупрежденията се отнася до вашата машина, захранвана от електрическата мрежа (с кабел) или от батерия (без кабел).

БЕЗОПАСНОСТ В РАБОТНАТА ЗОНА

- Поддържайте работната зона чиста и добре осветена. Разхвърляни или тъмни работни зони поразяват инциденти.
- Не работете с машини в експлозивна атмосфера, като например в присъствието на запалими течности, газ или прах. Машините създават искри, които могат да възпламенят прах или изпарения.
- Дръжте на разстояние децата и страничните лица, докато работите с машина. Разсейването може да причини загуба на контрол.

ЕЛЕКТРИЧЕСКА БЕЗОПАСНОСТ

- Щепселите на машината трябва да съответстват на контакта. Никога не модифицирайте щепсела по какъвто и да е начин. Не използвайте какъвто и да е адаптер със заземени (замасени) машини. Немодифицираните щепсели и съответстващите контакти ще намалят риска от електрически шок.
- Избягвайте контакт на тялото със заземени повърхности, като тръби, радиатори, кухненски печки и хладилници. Съществува повишена опасност от токов удар, ако тялото Ви е заземено.
- Не излагайте машините на дъжд или влажни условия. Навлизането на вода в машината ще увеличи риска от токов удар.
- Не злоупотребявайте с кабела. Никога не използвайте кабела за пренасяне, изтегляне или изключване от контакта на машината. Дръжте кабела настрана от топлина, масло, остри ръбове или движещи се части. Повредени или оплетени кабели увеличават риска от електрически удар.
- Когато работите с машина на открито,

използвайте удължителен кабел подходящ за употреба на открито. Употребата на кабел подходящ за употреба на открито намалява риска от електрически удар.

- Ако работата с машина на влажно място е неизбежна, използвайте захранване с дефектнотокова защита (RCD). Употребата на RCD намалява риска от токов удар.

ЛИЧНА БЕЗОПАСНОСТ

- Внимавайте, гледайте какво правите и използвайте здрав разум, когато работите с машина. Не използвайте машината, когато сте уморени или когато сте под влияние на наркотици, алкохол или лекарства. Момент невнимание по време на работата с машини може да доведе до сериозно нараняване.
- Използвайте лични предпазни средства. Винаги носете защита за очите. Защитно оборудване като прахови маски, не плъзгащи се безопасно обувки, твърда каска или защита за слуха използвана при подходящи условия ще намали риска от лични наранявания.
- Предотвратете непреднамерено пускане. Уверете се, че ключът е в изключена позиция, преди да свържете към захранване и/или батерия, повдигайки или носейки машината. Пренасянето на машини с пръст върху превключвателя или включването на машини, които са с включен превключвател, води до злополуки.
- Извадете всеки регулиращ ключ или гаечен ключ, преди да включите машината. Гаечен или друг ключ оставен закачен към въртящите се части на машината може да доведе до лично нараняване.
- Не се протягайте. Запазете правилна стойка и баланс по всяко време. Това позволява по-добър контрол върху машината в непредвидени ситуации.
- Облечете се подходящо. Не носете свободни дрехи или накити. Дръжте косата и дрехите си далеч от движещи се части. Свободни дрехи, накити или дълга коса, могат да бъдат хванати в движещите се части.
- Ако са предоставени устройства за свързване на прахоуловител или съоръжения за събиране, уверете се, че те са свързани и са правилно използвани. Употребата на устройства за събиране на прах може да намали рисковете свързани с прах.
- Не позволявайте на рутината, придобита от честата употреба на машини, да позволи небрежност небрежни и игнориране на принципите за безопасност при работа с машина.

Небрежно действие може да причини сериозно нараняване за части от секундата.

ИЗПОЛЗВАНЕ И ГРИЖА ЗА МАШИНАТА

- **Не пресилвайте машината. Използвайте правилната машина за вашето приложение.** Правилната машина ще свърши работата по-добре и по-безопасно при капацитета за който е проектирана.
- **Не използвайте машината, ако превключвателят не го включва и изключва.** Машина, която не може да бъде контролирана от превключвателя, е опасна и трябва да бъде поправена.
- **Разкачете щепсела от захранването и/или извадете батерията, ако може да се извади, от машината, преди да извършите настройки, смяна на аксесоари или съхраняване на машините.** Подобни превантивни мерки за безопасност намаляват риска от случайно стартиране на машината.
- **Съхранявайте неизползваните машини далеч от обсега на деца и не позволявайте на лица, които не са запознати с машината или тези инструкции, да работят с машината.** Машините са опасни в ръцете на необучени потребители.
- **Поддържайте машини и аксесоари.** Проверете за разместване или блокиране на подвижни части, счупване на части, и всякакви други условия, които могат да повлияят на работата на машината. Ако е повредена, поправете машината преди употреба. Много злополуки се причиняват от лошо поддържани машини.
- **Дръжте режещите инструменти остри и чисти.** Правилно поддържани режещи инструменти, с остри режещи ръбове е по-малко вероятно да се заклепчат и по-лесно се контролират.
- **Използвайте машината, аксесоарите, найкрайниците на машината и т.н. в съответствие с тези инструкции, като вземете предвид условията на работа и вида работа, която ще бъде извършвана.** Употребата на машината за дейности различни от предназначението може да доведе до опасни ситуации.
- **Дръжте ръкохватките и повърхностите за захващане сухи, чисти и без масло и грес.** Хлъзгавите ръкохватки и места за захващане не позволяват безопасно боравене и контролиране на машината при неочаквана ситуация.

ИЗПОЛЗВАНЕ И ГРИЖА ЗА АКУМУЛАТОРНАТА МАШИНА

276

56 ВОЛТА ЛИТИЕВО-ЙОННА БЕЗКАБЕЛНА РАНИЧНА ПРЪСКАЧКА — BSP3500E

- **Презареждайте само със зарядното устройство определено от производителя.** Зарядно устройство, което е подходящо за един вид акумулаторна батерия може да създаде опасност от пожар, когато се използва с друга акумулаторна батерия.
- **Използвайте машините само със специфично обозначени акумулаторни батерии.** Използването на всяка друга акумулаторна батерия може да създаде риск от нараняване и пожар.
- **Когато акумулаторните батерии не са в употреба ги дръжте на разстояние от други метални обекти, като кламери, монети, ключове, пирони, отвертки или други малки метални предмети, които могат да направят свързване между клемите.** Свързване на късо на клемите на батерията може да причини изгаряне или пожар.
- **При условия на злоупотреба, може да се изхвърли течност от батерията. Избягвайте контакт. В случай на инцидентен контакт измийте с вода. Ако течността влезе в контакт с очите, потърсете допълнително медицинска помощ.** Течността изхвърлена от батерията може да причини раздразнение или изгаряния.
- **Не използвайте акумулаторна батерия или машина, които са повредени или модифицирани.** Повредените или модифицираните батерии може да проявят непредсказуемо поведение, което да доведе до пожар, експлозия или риск от нараняване.
- **Не излагайте батерията или машината на огън или прекомерна температура.** Излагане на огън или температури над 130 °C може да причини експлозия.
- **Следвайте всички инструкции за зареждане и не зареждайте батерията или машината извън температурния обхват зададен в инструкциите.** Неправилното зареждане или зареждане извън определения температурен обхват може да повреди батерията и да повиши риска от пожар.

ОБСЛУЖВАНЕ

- **Обслужвайте вашата машина чрез квалифициран техник, като използвате само идентични резервни части.** Това ще осигури поддържането на безопасност за машината.
- **Никога не поправяйте повредени акумулаторни батерии.** Ремонтът на акумулаторни батерии трябва да бъде извършван от производителя или оторизиран сервиз.

УКАЗАНИЯ ЗА БЕЗОПАСНА РАБОТА

ЗА БЕЗКАБЕЛНА ПРЪСКАЧКА

⚠ ОПАСНОСТ: Риск от пожар или експлозия. Не пръскайте запалими течности като бензин.

⚠ ПРЕДУПРЕЖДЕНИЕ:

- За да избегнете нараняване, винаги носете защита за очите, дихателната система и кожата.
- За да намалите риска от токов удар не излагайте izdelieto на дъжд.
- Само за битова употреба на открито.
- Не пръскайте запалими или горими течности в затворено пространство. Когато се пръска запалима течност, има опасност от пожар или експлозия, особено в затворено пространство.
- Мястото за пръскане трябва да е добре вентилирано.
- Не пушете, докато пръскате или пръскайте там, където има искри или жар.
- Винаги изваждайте акумулаторната батерия преди пълнене на резервоара. Избършете всякакви разливи, преди да поставите акумулаторната батерия. Следването на това правило ще намали риска от токов удар и навлизане на корозивни течности в акумулаторната батерия, което може да причини повреда на батерията, включително късо съединение, водещо до дим, пожар и/или сериозно нараняване.
- Не позволявайте на електропроводими или корозивни течности да попаднат върху акумулаторната батерия. Ако върху батерията се разлее електропроводима или корозивна течност, вижте инструкциите в ръководството на оператора на вашата акумулаторна батерия.
- Преди да използвате материали за пръскане в тази пръскачка, прочетете внимателно етикета на оригиналния контейнер на материала и следвайте указанията му. Някои материали за пръскане са опасни и не трябва да се използват в тази пръскачка, тъй като могат да повредят пръскачката и да причинят сериозни телесни наранявания или материални щети.
- Запознайте се със съдържанието на химикала, който се пръска. Прочетете всички информационни листове за безопасност (SDS) и етикети на контейнерите, предоставени с химикала. Следвайте инструкциите за безопасност на производителя на химикала.
- Опасност от токов удар. Никога не пръскайте към

електрически контакти.


- Не наливайте горещи или врящи течности в резервоара. Те могат да отслабят или повредят тръбите или резервоара.
- Избягвайте пръскането във ветровити дни. Спреят може случайно да бъде издухан върху растения или предмети, които не трябва да се пръскат.
- Съхранявайте пръскачката на сигурно, добре проветриво закрито място с празен резервоар за течност.
- Не пръскайте белина или водороден прекис.
- Не пръскайте химикали на алкохолна основа.
- Не пръскайте прахове или абразивни химикали.
- Не пръскайте разяждащи (алкални) или самонагриващи се течности.
- Не използвайте опасни за околната среда химикали, които не са разрешени, както е определено от местните разпоредби.
- Не насочвайте дюзата на пръскачката по посока на хора или домашни любимци.
- Никога не позволявайте на деца, лица с намалени физически, сетивни или умствени способности, или с липса на опит и познание, или на хора, които не са запознати с тези инструкции да използват машината.
- Операторът или потребителят е отговорен за инциденти или опасности, причинени на други хора или тяхната собственост.
- Пръскачката трябва да се използва само с продукти за растителна защита, одобрени от местни/национални регулаторни органи за продукти за растителна защита за използване с гръбни пръскачки.
- Риск от впръскване. Не изпускайте директно върху кожата. Дръжте всички части на тялото извън обсега на пръскане.
- Не оставяйте остатъци или материал за пръскане в резервоара след използване на пръскачката. Почиствайте след всяка употреба.
- За да намалите риска от пожар или експлозия, използвайте течност с температура на възпламеняване над 60°C.
- За да намалите риска от електрически удар, не поставяйте пръскачката във вода или други течности. Не поставяйте или съхранявайте пръскачката там, където може да падне или да бъде изтеглена във вана или мивка.

BG

- Поддържайте този продукт. Проверявайте щателно вътрешната и външната част на пръскачката и проверявайте компонентите преди всяка употреба. Проверете за напукан и повреден резервоар, течове, запушени дюзи и липсващи или повредени части. Ако е повреден, поправете продукта преди употреба. Много злополуки се причиняват от лошо поддържани продукти.
- Завъртете превключвателя на захранването в изключено положение, когато пръскачката не се използва и преди обслужване или почистване.
- Разкачете батерията от устройството, преди да източите, почистите или приберете пръскачката. Такива превантивни мерки за безопасност намаляват риска от случайно стартиране.
- Винаги носете защита за очите със странични предпазни екрани или предпазни очила. При неспазване може да се стигне до навлизане на течности в очите ви, водещо до възможни сериозни наранявания.
- Защитете белите си дробове. Носете одобрена защитна екипировка, като маски за лице, които са специално проектирани да филтрират спрейове, ръкавици и друга подходяща защитна екипировка. Следването на това правило ще намали риска от сериозно нараняване. Следвайте инструкциите за безопасност на производителя на химикала и указанията, посочени в информационния лист за безопасност.
- Химикалите и химическите изпарения могат да бъдат опасни и да причинят сериозно нараняване, трайно увреждане или смърт при поглъщане, вдишване или пръскане в очите или върху кожата. Следвайте инструкциите за безопасност на производителя на химикала и указанията, посочени в информационния лист за безопасност.
- За да намалите опасността от нараняване, необходимо е стриктно наблюдение, когато пръскачката се използва близо до деца.
- Не докосвайте движещи се части.
- Използвайте само приставки препоръчани или продадени от производителя.
- Предотвратете непреднамерено пускане. Уверете се, че ключът е в изключена позиция, преди да свържете към акумулаторната батерия, при повдигане или при пренасяне на уреда. Носейки уреда, докато пръсът ви е на превключвателя или подаването на захранване на уреда, които са с включен прекъсвач, е предпоставка за инциденти.

ЗАПАЗЕТЕ ТЕЗИ ИНСТРУКЦИИ

СПЕЦИФИКАЦИИ

Номинално напрежение	56 V 
Макс. Вместимост на резервоара	15 л
Макс. Работно налягане	24 бара
Макс. Дебит на пръскане (с регулируема дюза, режим на пръскане)	2,3 л/мин
Диаметър на входния филтър	35 мм
Размер на мрежата на входния филтър	0,35 мм
Диаметър на изходящия филтър	124 мм
Тегло (сухо тегло, без акумулаторна батерия)	7,6 кг
Препоръчителна работна температура	5°C-40°C
Препоръчителна температура на съхранение	-20°C-70°C
Препоръчителна температура на зареждане	5°C-40°C

⚠ ПРЕДУПРЕЖДЕНИЕ: Преди да използвате гръбна пръскачка, уверете се, че общото ѝ тегло, включително машината, течността в резервоара и използваната дюза и батерия, не надвишава 25 кг, за да избегнете нараняване и загуба на равновесие.

- Декларираният общ размер на вибрации е измерен в съответствие със стандартния метод за тест и може да бъде използван за сравнение между два инструмента;
- Декларираният общ размер на вибрации може също така да бъде използван за предварителна оценка на влиянието.

БЕЛЕЖКА: Вибрационните емисии по време на действителната употреба на електрическия инструмент може да се различава от декларираната стойност. С

цел да се защити оператора, потребителят трябва да носи ръкавици и антифони в действителни условия на работа.

ОПАКОВЪЧЕН ЛИСТ (ФИГ. А1)

ОПИСАНИЕ

ЗАПОЗНАЙТЕ СЕ С ВАШАТА ПРЪСКАЧКА (ФИГ. А1)

1. Маркуч
2. Отделение за батериите
3. Резервоар
4. Капачка на резервоара
5. Ръкохватка за носене
6. Регулируема поддържаща сбруя
7. Регулатор на скоростта
8. Лост за заключване
9. Спусък за ВКЛ./ИЗКЛ.
10. Контролна ръкохватка
11. Крайна капачка
12. Прът за пръскане
13. Регулируема дюза
14. Вентилаторна дюза
15. Разпенваща дюза
16. Душ дюза

МОНТАЖ

⚠ ПРЕДУПРЕЖДЕНИЕ: Ако някои от частите са повредени или липсват, не работете с този продукт, докато частите не се подменят. Използването на този продукт с повредени или липсващи части може да доведе до сериозно лично нараняване.

⚠ ПРЕДУПРЕЖДЕНИЕ: Не се опитвайте да модифицирате този продукт или да създадете аксесоари, които не се препоръчват за употреба с този продукт. Всяка такава промяна или модификация е злоупотреба и може да доведе до опасни условия с последици от възможни сериозни наранявания.

⚠ ПРЕДУПРЕЖДЕНИЕ: За да предотвратите случайно стартиране, което би могло да причини сериозно нараняване, винаги отстранявайте акумулаторния комплект от машината, когато

монтирате части, извършвате настройки, почиствате или когато продуктът не се използва.

- Този продукт изисква сглобяване.
- Внимателно извадете продукта и всички аксесоари от кутията. Уверете се че всички позиции указани в **ОПАКОВЪЧНИЯ ЛИСТ** са налице.
- Инспектирайте продукта внимателно, за да се уверите, че не настъпило счупване или повреда по време на транспортирането.
- Не изхвърляйте опаковъчните материали, докато не сте инспектирали внимателно и не работите задоволително с продукта.
- Ако някои от частите са повредени или липсват, моля върнете този продукт в мястото на закупуване.

СВЪРЗВАНЕ НА ПРЪТА ЗА ПРЪСКАНЕ КЪМ КОНТРОЛНАТА РЪКОХВАТКА

1. Завийте крайната капачка на пръскачката върху контролната ръкохватка и я затегнете здраво по посока на часовниковата стрелка (фиг. В).
2. Издърпайте пръта за пръскане, за да се уверите, че е добре закрепен.

ЕКСПЛОАТАЦИЯ

⚠ ПРЕДУПРЕЖДЕНИЕ: Не позволявайте рутината с този продукт да ви направи непредпазливи. Запомнете, че невнимание за малка част от секундата е достатъчна за да нанесе сериозно нараняване.

⚠ ПРЕДУПРЕЖДЕНИЕ: Използвайте оборудване за безопасност. Защитете очите, кожата и белите си дробове, докато смесвате, пълните, пръскате и почиствате. Неспазването на това може да доведе до сериозни лични наранявания и материални щети.

⚠ ПРЕДУПРЕЖДЕНИЕ: За да предотвратите сериозно нараняване, извадете акумулаторната батерия от уреда преди обслужване, почистване, смяна на приставки, пълнене или изпразване на резервоара.

⚠ ПРЕДУПРЕЖДЕНИЕ: Не използвайте други приставки или аксесоари, които не са препоръчани от производителя на този продукт. Употребата на приставки или аксесоари, които не са препоръчани, може да доведе до сериозно нараняване.

Преди всяка употреба проверявайте целия продукт за повредени, липсващи или разхлабени части, като

винтове, гайки, болтове, капачки и др. Затегнете сигурно всички закопчалки и капачки и не работете с този продукт, докато всички повредени или липсващи части не бъдат подменени.

УПОТРЕБА ПО ПРЕДНАЗНАЧЕНИЕ

Може да използвате този продукт за целите описани долу:

- Внасяне на торове и поливане на растения.
- Пръскане с хербициди, пестициди и фунгициди.

БЕЛЕЖКА: Продуктът е предназначен само за градинарска и селскостопанска употреба.

БЕЛЕЖКА: Продуктът трябва да бъде използван само за предназначенията цели. Всяка друга употреба се смята за случай на злоупотреба.

⚠ ПРЕДУПРЕЖДЕНИЕ: Неправилното прилагане на химикали или разтвори може да доведе до ТЕЖКО НАРАНЯВАНЕ или СМЪРТ. Следвайте инструкциите за безопасност на производителя на химикала и указанията, посочени в информационния лист за безопасност.

ПЪЛНЕНЕ НА РЕЗЕРВОАРА (фиг. С)

⚠ ПРЕДУПРЕЖДЕНИЕ: Винаги следвайте инструкциите на производителя на химикала, отпечатани върху етикета на продукта за употреба, почистване и съхранение. Не комбинирайте химикали. Почиствайте резервоара старателно след всяка употреба, като следвайте инструкциите в раздела „ПОДДРЪЖКА“ на това ръководство. Химикалите трябва да се съхраняват на място, недостъпно за деца. Неизпълнение на това може да доведе до сериозно нараняване на хора.

⚠ ПРЕДУПРЕЖДЕНИЕ: За да избегнете нараняване и загуба на равновесие, уверете се, че количеството течност, добавено към резервоара, не прави общото тегло на пръскачката, включително машината, течността в резервоара и дюзата, и използваната батерия, да надвишава 25 кг.

Течните химикали, които ще се пръскат, трябва да са толкова редки, колкото водата. По-гъстите течности няма да се пръскат правилно. Не препълвайте резервоара.

1. Премахнете акумулаторната батерия.
2. Развийте капачката на резервоара обратно на

часовниковата стрелка и я снемете от резервоара.

3. Поставете пръскачката на равна повърхност.
4. Напълнете резервоара с желаното количество вода.
5. Измерете препоръчителното количество течен химикал.
6. Внимателно налейте течния химикал в резервоара.
7. Завийте обратно капачката на резервоара върху пръскачката, като се уверите, че е здраво затегната.

Разтворите за пръскане могат да бъдат предварително смесени и налети в пръскачката.

БЕЛЕЖКА: Ако използвате мерителен съд за задържане на течността, не забравяйте да почистите и изплакнете напълно съда след употреба. Ако смесвате предварително разтвора за пръскане, изплакнете съда, използван за смесване.

БЕЛЕЖКА: Важно е да почиствате старателно пръскачката след всяка употреба. Оставянето на течност в неактивна пръскачка за продължителен период от време може да доведе до блокиране на движещите се части и съединители.

МОНТИРАНЕ/ИЗВАЖДАНЕ НА АКУМУЛАТОРНАТА БАТЕРИЯ

Използвайте единствено акумулаторни батерии EGO и зарядни устройства изброени във фиг. A2.

Обърнете се към съответните ръководства за батерии и зарядни устройства за повече подробности.

Заредете напълно преди първата употреба.

1. Повдигнете капака на отделението за батерии, като повдигнете предната част на капака (фиг. D1).
2. **За закрепване:** Подравнете ребрата на акумулаторната батерия с монтажните жлебове и натиснете батерията надолу, докато чуete „цракване“ (Фиг. D1).
3. **За откачване:** Натиснете бутона за освобождаване на батерията и издърпайте акумулаторната батерия навън (Фиг. D2).
4. Затворете капака на отделението за батерията.

⚠ ПРЕДУПРЕЖДЕНИЕ: Винаги внимавайте за местоположението на кратката си, деца или домашни любимци, когато бутона за освобождаване на акумулаторната батерия. Може да възникне сериозно нараняване, ако акумулаторната батерия падне.

НИКОГА не премахвайте акумулаторната батерия от високо.

⚠ ПРЕДУПРЕЖДЕНИЕ: Уверете се, че ключалката на пръскачката щраква на място, че батерията е закрепена към пръскачката и капакът на отделението за батерии е напълно затворен, преди да започнете работата. Ако не закрепите акумулаторната батерия сигурно, тя може да изпадне и да доведе до сериозно нараняване.

⚠ ПРЕДУПРЕЖДЕНИЕ: За да избегнете сериозно нараняване винаги изваждайте акумулаторната батерия и дръжте ръцете си извън контролната ръкохватка, когато вдигате или транспортирате пръскачката.

ПОЗИЦИОНИРАНЕ НА РАНИЧНАТА ПРЪСКАЧКА

⚠ ПРЕДУПРЕЖДЕНИЕ: Облечете се правилно за да намалите риска от нараняване, когато работите с този уред. Не носете отпуснати дрехи или бижута. Носете защита за очите. Носете тежки, дълги панталони, ботуши и ръкавици. Не носете къси панталони или сандали или не ходете бос.

Преди да използвате раничната пръскачка, уверете се, че операторът носи защита на очите и подходящо облекло и може да поддържа сигурна и балансирана стойка.

За да регулирате поддържащата сбруя

1. Вкарайте ръцете си през ремъците на раницата за да задържите пръскачката на гърба си.
2. Временно регулирайте и двата ремъка за раменете в удобна позиция (фиг. E1), като се уверите, че е удобно за лакътя.
3. Заклучете катарамата на гърдите и регулирайте дължината на гръдния ремък, ако е необходимо (фиг. E2).
4. Заклучете катарамата на кръста и регулирайте дължината на ремъка за кръста, така че раницата да е сигурно закрепена на ханша (фиг. E3 и E4).

БЕЛЕЖКА: Раницата не трябва да стои твърде високо на гърба, трябва да бъде позиционирана по-близо до ханша отколкото до раменете.

⚠ ПРЕДУПРЕЖДЕНИЕ: Когато възникне извънредна ситуация, освободете незабавно закопчалките на гърдите и талията, за да свалите

ремъка на раницата от всяка страна. Това е метод за бързо освобождаване.

5. Регулирайте отново ремъците на раменете за сигурност и комфорт. Уверете се, че раницата стои сигурно на гърба ви, като теглото се поема от ремъка на кръста и няма излишни движения, когато се движите (Фиг. E5).
6. Вкарайте остатъчната дължина на ремъка около кръста в ластичите от двете страни (фиг. E6).
7. За да отстраните раницата от гърба си, просто натиснете катарамите на кръста и гърдите, за да ги освободите и свалете пръскачката. (фиг. E7).

СТАРТИРАНЕ/СПИРАНЕ НА ПРЪСКАЧКАТА (ФИГ. F)

Регулатор на скоростта

1. За да увеличите дебита, завъртете регулатора на скоростта по посока на часовниковата стрелка.

F-1	Регулатор на скоростта	F-3	Спусък за ВКЛ./ИЗКЛ.
F-2	Лост за заключване		

2. За да намалите дебита, завъртете регулатора на скоростта обратно на часовниковата стрелка.
3. Пръскачката ще спре, ако продължите да въртите регулатора до положение „ИЗКЛЮЧЕНО“.

⚠ ПРЕДУПРЕЖДЕНИЕ: За да предотвратите нежелано стартиране, завъртете регулатора на скоростта в изключено положение (червената точка на регулатора сочи към пръта за пръскане).

⚠ ПРЕДУПРЕЖДЕНИЕ: Преди да приберете машината, да я оставите за дълго време или да смените батерията, винаги завъртайте регулатора на скоростта в изключено положение (червената точка на регулатора сочи към пръта за пръскане).

Спусък за ВКЛ./ИЗКЛ.

1. Натиснете спусъка за ВКЛ./ИЗКЛ., за да включите пръскачката.
2. Освободете спусъка, за да спрете потока.

Лост за заключване

Лостът за заключване е удобен при пръскане за продължителен период от време или при покриване на голяма площ.

1. За да заключите спусъка за ВКЛ./ИЗКЛ., натиснете

- лоста за заключване след натискане на спусъка.
2. За да освободите спусъка за ВКЛ./ИЗКЛ., дръпнете лоста за заключване.

БЕЛЕЖКА: Уверете се, че спусъкът не е заключен, преди да поставите акумулаторната батерия в пръскачката.

РЕГУЛИРАНЕ И СМЯНА НА ДЮЗИТЕ

⚠ ПРЕДУПРЕЖДЕНИЕ: За да предотвратите сериозно нараняване, извадете акумулаторната батерия, преди да регулирате или смените дюзите.

Пръскачката се доставя с четири дюзи: Регулируема дюза, вентилаторна дюза, душ дюза и разпенваща дюза. Сменете дюзата, преди да започнете работа, за да отговаря на задачата.

Регулируема дюза (фиг. G1): Точково пръскане на цветни лехи, пътеки, алеи, вътрешни дворове и около дървета и храсти. Линейно пръскане покрай огради, алеи и пътеки. Убийствена четка.

Вентилаторна дюза (фиг. G3): Плоска струя за много широко покритие и течности с по-висок вискозитет. Подготовка на големи площи за засаждане.

G-1	Вентилаторна дюза	G-3	Разпенваща дюза
G-2	Душ дюза		

Душ дюза (фиг. G3): Осигурява по-висок воден дебит за поливане и третиране на растения.

Разпенваща дюза (фиг. G3): Видимо маркира третираните плевели. Точково пръскане на плевели в моравата, около цветни лехи, дървета и храсти. Линейно пръскане покрай огради, алеи и пътеки.

Регулируемата дюза може да се регулира между струя и спрей (фиг. G1).

1. Завъртете набраздената (текстурирана) част на дюзата обратно на часовниковата стрелка за струя.
2. Завъртете набраздената (текстурирана) част на дюзата по посока на часовниковата стрелка за спрей.

Развийте цялата дюза обратно на часовниковата стрелка, за да премахнете и смените дюзата (фиг. G2).

Дебит на различните дюзи, идващи с пръскачката:

	Номинален дебит (л/мин)	Максимално работно налягане (л/мин)	Оптимално работно налягане (л/мин)
Регулируема дюза	2,3	2,4	2,4
Вентилаторна дюза	2,3	2,4	2,4
Душ дюза	2,3	2,7	2,7
Разпенваща дюза	2,3	2,4	2,4

ПРЪСКАНЕ НА ХИМИКАЛИ ЗА ДОМА И ГРАДИНАТА (фиг. H)

⚠ ПРЕДУПРЕЖДЕНИЕ: Никога не насочвайте дюзата на пръта към себе си или към други.

⚠ ПРЕДУПРЕЖДЕНИЕ: Никога не пушете, не яжте и не пийте, докато работите с пръскачката.

⚠ ПРЕДУПРЕЖДЕНИЕ: Никога не пръскайте по посоча на хора или животни; пръскайте винаги в посока на вятъра.

⚠ ПРЕДУПРЕЖДЕНИЕ: Риск от пожар или експлозия. Зоната за пръскане трябва да бъде добре проветрена и далеч от искри или пламъци.

1. Монтирайте акумулаторната батерия.
2. Завъртете регулатора на скоростта, за да зададете желаните дебит.
3. Насочете дюзата на пръскачката директно към растенията или предметите, които искате да напръскате.

БЕЛЕЖКА: Уверете се, че стоите достатъчно далеч от пръскания обект, за да предотвратите пръскането на спрея обратно върху вас.

4. Натиснете спусъка, за да стартирате пръскачката.
5. Освободете спусъка, за да спрете пръскачката.
6. Винаги източвайте и почиствайте резервоара след всяка употреба, както е указано в раздел „ПОДДРЪЖКА“.

СЪВЕТИ ПРИ РАБОТА

- Регулирайте презрамките на раменните ремъци

така, че пръскачката да се намира над кръста ви и резервоарът да е близо до гърба ви.

- Избягвайте пръскането във ветровити дни. Спреят може случайно да бъде издухан върху растения или предмети, които не трябва да се пръскаат.
- Пръскайте рано сутрин или късно следобед, особено при по-топло време. Прекомерната топлина може да изпари спрея, преди да бъде нанесен.

ПОДДРЪЖКА

▲ ПРЕДУПРЕЖДЕНИЕ: Когато обслужвате, използвайте само идентични резервни части. Употребата на каквито и да е други части може да създаде опасност или да предизвика повреда на продукта. За да осигурите безопасността и надеждността, всички поправки трябва да се извършват от квалифициран сервизен техник.

▲ ПРЕДУПРЕЖДЕНИЕ: За да избегнете сериозни наранявания, изваждайте акумулаторната батерия от пръскачката преди обслужване, почистване, смяна на дюзи, извършване на поддръжка или когато пръскачката не се използва. Пръскачката захранвана с батерия е винаги включена, когато акумулаторната батерия е поставена и може да стартира случайно.

ОБЩА ПОДДРЪЖКА

Цялото обслужване на пръскачката, освен на позициите изброени в инструкциите за поддръжка, трябва да бъде извършвано от квалифициран сервизен техник.

ПОЧИСТВАНЕ

Избягвайте употребата на разтворители, когато почиствате пластмасовите части. Повечето пластмасови части са уязвими на повреда от различни видове разтворители в търговската мрежа и може да се повредят от тяхната употреба. Използвайте чиста кърпа за премахване на мръсотия, прах, масло, грес и т.н.

▲ ПРЕДУПРЕЖДЕНИЕ: Никога не позволявайте спиратна течност, бензин, петролни продукти, проникващи масла и т.н. да влизат в контакт с пластмасовите части. Химикалите могат да повредят, отслабят или разрушат пластмаса, което може да доведе сериозно нараняване.

▲ ПРЕДУПРЕЖДЕНИЕ: Когато почиствате пръскачката, НЕ я потапяйте във вода или други течности.

▲ ПРЕДУПРЕЖДЕНИЕ: Винаги съхранявайте и изхвърляйте химикалите правилно. Изхвърлянето на замърсената вода за изплакване трябва да се извършва в съответствие с местните наредби и подзаконовите актове.

- Ако след пръскане в резервоара е останала течност, източете резервоара преди почистване.
- Винаги използвайте само мека, суха кърпа за почистване на резервоара отвън; никога не използвайте перилен препарат или алкохол.
- Напълнете резервоара до около една трета с чиста вода. Пръскайте, докато резервоарът се изпразни. Уверете се, че сте насочили струята към зона, която няма да бъде повредена от разтвора за пръскане.
- Допълнете и повторете процедурата с чиста вода. Може да се наложи резервоарът да се изплакне повече от веднъж, след което да се източат отново, както е указано по-горе.
- Оставете всички части да изсъхнат напълно, преди да сглобите отново и съхраните уреда.

ПОДДРЪЖКА НА ДЮЗИТЕ

▲ ПРЕДУПРЕЖДЕНИЕ: Уверете се, че поддръжката на всички дюзи се извършва правилно, за да предотвратите изтичане на вода. Течовете могат да доведат до хлъзгава повърхност, създаваща опасност от подхлъзване и падане или да причинят материални щети.

Неправилните модели на пръскане или изтичане могат да бъдат резултат от запушена или замърсена дюза.

1. Изключете пръскачката и извадете акумулаторната батерия.
2. **За да почистите регулируемата дюза (фиг. I1):**
 - a. Развийте и отстранете набраздената (текстурирана) част на регулируемата дюза.
 - b. Прокарайте тънка тел (не е включена) през напречните отвори, за да почистите всякакви остатъци. Ако е необходимо, изплакнете напречните отвори и дюзата с чиста вода.
 - c. Избършете дюзата с чиста, суха кърпа и поставете отново дюзата.
3. **За да почистите вентилаторната дюза и разпенващата дюза (фиг. I2):**
 - a. Развийте и отстранете дюзата от пръта за пръскане.
 - b. Плъзнете тънка тел (не е включена) през отвора, за да почистите всякакви остатъци. Ако

- е необходимо, изплакнете дюзата с чиста вода.
- Избършете дюзата с чиста, суха кърпа и поставете отново дюзата.

ТРАНСПОРТИРАНЕ И СЪХРАНЕНИЕ (фиг. J)

- Премахнете акумулаторната батерия.
- Завъртете регулатора на скоростта в изключено положение (червената точка на регулатора сочи към пръта за пръскане).
- Почистете добре пръскачката.
- Изпразнете резервоара, маркуча и пръта за пръскане.

БЕЛЕЖКА: Преди съхранение, особено преди зазимяване, не забравяйте да изпразните резервоара, маркуча и пръта за пръскане, за да предотвратите замръзване и повреда на машината, което ще доведе до отказ да стартира след зимуване.

- Закрепете пръта за пръскане в основата и скобата за съхранение.

J-1	Скоба за съхранение	J-3	Ръкохватка за носене
J-2	Основа		

- Вдигнете пръскачката за ръкохватката за носене или я носете с помощта на поддържащата сбруя, когато я транспортирате.
- Съхранявайте пръскачката на закрито, на добре проветриво място.
- Пазете го от корозивни препарати като градински химикали и сол за обезледяване.

Опазване на околната среда



Не изхвърляйте електрическо оборудване, използвана батерия или зарядно устройство в домакинския отпадък!

Отнесете продукта до упълномощена фирма за рециклиране и го предоставете за разделно събиране. Електрическите инструменти трябва да бъдат връщани в съоръжения за рециклиране съвместими с околната среда.

ОТСТРАНЯВАНЕ НА ПРОБЛЕМИ

ПРОБЛЕМ	ПРИЧИНА	РЕШЕНИЕ
Пръскачката не стартира.	<ul style="list-style-type: none"> ■ Акумулаторната батерия не е поставена напълно в отделението за батериите. ■ Няма електрически контакт между пръскачката и акумулаторната батерия. ■ Акумулаторната батерия е изтощена. ■ Акумулаторната батерия или пръскачката са твърде горещи. 	<ul style="list-style-type: none"> ■ Проверете дали акумулаторната батерия е поставена напълно в отделението за батериите. ■ Извадете акумулаторната батерия, проверете контактите и поставете наново акумулаторната батерия. ■ Заредете акумулаторната батерия. ■ Изключете пръскачката и оставете акумулаторната батерия или пръскачката да се охладят, докато температурата падне до препоръчителния работен температурен диапазон.
Двигателят работи, но от дюзата не излиза спрей.	<ul style="list-style-type: none"> ■ Ниско ниво на течност в резервоара. ■ Дюзата се запушва по време на работа. 	<ul style="list-style-type: none"> ■ Проверете и се уверете, че има достатъчно течност в резервоара. ■ Почистете дюзата(ите) в съответствие с глава „ПОДДРЪЖКА НА ДЮЗИТЕ“ и ги сглобете отново според инструкциите.
Изтича течност между контролната ръкохватка и пръта за пръскане.	<ul style="list-style-type: none"> ■ Крайната капачка на пръта е разхлабена. 	<ul style="list-style-type: none"> ■ Затегнете крайната капачка.
Изтича течност между пръта за пръскане и дюзата.	<ul style="list-style-type: none"> ■ Дюзата е разхлабена или неправилно монтирана. 	<ul style="list-style-type: none"> ■ Поставете отново дюзата правилно и плътно в съответствие с глава „РЕГУЛИРАНЕ И СМЯНА НА ДЮЗИТЕ“.

ГАРАНЦИЯ

ГАРАНЦИОННА ПОЛИТИКА EGO

Моля, посетете уебсайта egopowerplus.eu за пълните срокове и условия по гаранционната политика на EGO.

PROČITAJTE UPUTE U CIJELOSTI!



PROČITAJTE KORISNIČKI PRIRUČNIK

⚠ UPOZORENJE: Radi sigurnosti i pouzdanosti, sve popravke treba obavljati kvalificirani servisni tehničar.

⚠ UPOZORENJE: Prije upotrebe ovog alata pobrinite se da sve sigurnosne upute u ovom korisničkom priručniku, uključujući sve sigurnosne simbole kao što su „OPASNOST“, „UPOZORENJE“ i „OPREZ“ pročitate s razumijevanjem. Zanemarivanje uputa navedenih u nastavku može rezultirati električnim udarom, požarom i/ili teškim tjelesnim ozljedama.

SAČUVAJTE SVA UPOZORENJA I SVE UPUTE ZA BUDUĆE POTREBE.

SIGURNOSNI SIMBOLI

⚠ UPOZORENJE: Rukovanje električnim alatima može rezultirati odbacivanjem stranih predmeta u oči, što opet može izazvati teške ozljede očiju. Pri radu s električnim alatom nosite zatvorene zaštitne naočale ili zaštitne naočale s bočnim štitnicima, a prema potrebi i štitnik za cijelo lice. Preporučujemo nošenje sigurnosne maske proizvođača Wide Vision preko naočala ili nošenje standardnih zaštitnih naočala s bočnim štitnicima.



Upozorenje u vezi sigurnosti



Radi smanjenja opasnosti od ozljeda, prije uporabe ovog proizvoda korisnik treba s razumijevanjem pročitati ovaj korisnički priručnik.



Nosite zaštitnu odjeću.



Udaljite promatrače za vrijeme raspršivanja.



Nosite štitnik za lice.



Ovaj proizvod je u skladu s važećim direktivama EU.



Zajamčena razina snage zvuka. Emisija buke u okruženju u skladu je sa smjericama Europske unije.



Ovaj je proizvod u skladu s važećim zakonodavstvom UK.



Otpadni električni proizvodi ne smiju se odlagati s otpadom iz kućanstva. Odnosite ih u ovlaštenu centar za recikliranje.



Zaštita od prskanja vode



Istosmjerna struja

./min U minuti

HR

V Napon

n_0 Brzina bez opterećenja

mm Milimetar

OPĆA SIGURNOSNA UPOZORENJA

⚠ UPOZORENJE: Pročitajte sva upozorenja, upute, ilustracije u vezi sigurnosti i tehničke podatke isporučene s ovim strojem. Zanemarivanje svih uputa navedenih u nastavku može rezultirati električnim udarom, požarom i/ili teškim ozljedama.

Sačuvajte sva upozorenja i sve upute za buduće potrebe.

Pojam „stroj“ u upozorenjima odnosi se na stroj s napajanjem iz električne mreže (s kabelom) ili na stroj s napajanjem iz baterije (bez kabela).

SIGURNOST RADNOG PODRUČJA

- Radno područje održavajte čistim i dobro osvijetljenim. Prertrpana ili mračna područja izazivaju nesreće.
- Strojove ne upotrebljavajte u eksplozivnim okruženjima, primjerice u prisutnosti zapaljivih tekućina, plinova ili prašine. Strojovi stvaraju iskre koje mogu zapaliti prašinu ili isparenja.
- Udaljite djecu i promatrače za vrijeme rada sa strojem. Ometanja mogu rezultirati gubitkom kontrole nad alatom.

ELEKTRIČNA SIGURNOST

- Utikači stroja moraju odgovarati utičnici. Nemojte raditi preinake na utikaču. Utikače s adapterom nemojte koristiti s uzemljenim strojevima. Nepreinačeni utikači i odgovarajuće utičnice smanjit će rizik od električnog udara.
- Izbjegavajte kontakt tijela s uzemljenim površinama, kao što su slavine, radijatori, peći i hladnjaci. Rizik od električnog udara je veći ako je tijelo uzemljeno.
- Ne izlazite strojeve kiši ili vlažnim uvjetima. Prodiranje vode u stroj povećat će rizik od električnog udara.
- Kabel nemojte upotrebljavati nepropisno. Kabel nemojte upotrebljavati za nošenje, povlačenje ili iskopčavanje stroja. Kabel držite podalje od topline, ulja, oštih rubova ili pokretnih dijelova. Oštećeni ili isprepleteni kabeli povećavaju rizik od električnog udara.
- Kada strojem radite na otvorenom, upotrebljavajte produžni kabel prikladan za upotrebu na otvorenom. Upotrebom kabela prikladnog za upotrebu na otvorenom smanjuje se rizik od električnog udara.
- Ako je rad sa strojem u području s vlagom neizbježan, upotrebljavajte napajanje sa zaštitnom strujnom sklopkom (RCD). Upotrebom zaštitnog

uređaja diferencijalne struje smanjuje se rizik od električnog udara.

OSOBNA SIGURNOST

- Budite oprezni, gledajte što radite i vodite se načelima zdravog razuma kada radite sa strojem. Nemojte raditi sa strojem ako ste umorni ili pod utjecajem opojnih sredstava, alkohola ili lijekova. Trenutak nepažnje tijekom rada s uređajem može dovesti do teške tjelesne ozljede.
- Upotrebljavajte osobnu zaštitnu opremu. Nosite zaštitu za oči. Zaštitna oprema poput maske za zaštitu od prašine, protuklizne sigurnosne obuće, kacige ili zaštite za sluh upotrijebljena za prikladne uvjete smanjit će tjelesne ozljede.
- Spriječite nenamjerno pokretanje. Prije spajanja na izvor napajanja i/ili baterijski modul, podizanja ili nošenja stroja provjerite nalazi li se sklopka u isključenom položaju. Nošenje strojeva s prstom na sklopki ili napajanje strojeva koji imaju uključenu sklopku izaziva nesreće.
- Prije uključivanja stroja uklonite sve ključeve za podešavanje ili ključeve za stezanje. Ako se ključ za stezanje ili za podešavanje ostavi na rotacijskom dijelu stroja, to može rezultirati tjelesnim ozljedama.
- Nemojte se naginjati preko alata. Cijelo vrijeme održavajte propisno držanje i ravnotežu. To će omogućiti bolju kontrolu nad strojem u neočekivanim situacijama.
- Obucite se prikladno. Nemojte nositi široku odjeću i nakit. Kosu i odjeću držite dalje od pokretnih dijelova. Pokretni dijelovi mogu zahvatiti široku odjeću, nakit ili dugu kosu.
- Ako su uređaji opremljeni priključkom za odvod i sakupljanje prašine, pobrinite se da se propisno spoje i upotrebljavaju. Upotrebom sustava za sakupljanje prašine mogu se umanjiti opasnosti koje se odnose na prašinu.
- Nemojte dopustiti da vas poznavanje stroja stečeno čestom upotrebom učini samodopadnim te da ignorirate sigurnosna načela za stroj. Nepažljiv rad može rezultirati teškim ozljedama u djeliću sekunde.

KORIŠTENJE I NJEGA STROJEVA

- Nemojte preopterećivati stroj. Koristite odgovarajući stroj za primjenu. Propisan stroj bolje će i sigurnije obaviti zadatak brzinom za koju je konstruiran.
- Ne upotrebljavajte stroj ako ga sklopkom ne možete uključiti i isključiti. Svaki stroj koji ne možete sklopkom uključiti i isključiti je opasan i mora se popraviti.

- **Prije podešavanja, zamjene pribora ili skladištenja strojeva odvojite utikač od izvora napajanja i/ili uklonite baterijski modul, ako je odvojiv.** Takve preventivne sigurnosne mjere smanjuju rizik od slučajnog pokretanja stroja.
- **Neaktivan stroj čuvajte izvan dohvata djece i ne dopustite osobama koje nisu upoznate s strojem ili ovim uputama da upravljaju strojem.** Strojevi su opasni u rukama neobučениh korisnika.
- **Održavajte strojeve i pribor.** Provjerite jesu li pokretni dijelovi centrirani ili spojeni, ima li polomljenih dijelova i postoji li stanje koje može utjecati na rad stroja. Ako je stroj oštećen, popravite ga prije uporabe. Mnoge nezgode su nastale upravo zbog slabog održavanja stroja.
- **Rezne alate održavajte oštroma i čistima.** Propisno održavani rezni alati s oštrom reznim bridovima manje su sklони zaglavljivanju i lakši su za upravljanje.
- **Stroj, pribor, strojne nastavke i sl., upotrebljavajte u skladu s ovim uputama, uzimajući u obzir radne uvjete i zadatak koji je potreban obaviti.** Upotreba stroja za radnje za koje nije namijenjen može rezultirati opasnim situacijama.
- **Rukohvate i površinu rukohvata održavajte suhim, čistim i očišćenim od ulja i masti.** Skliske ručke i površine rukohvata onemogućuju sigurno rukovanje i upravljanje strojem u neočekivanim situacijama.

KORIŠTENJE I NJEGA BATERIJSKOG STROJA

- **Punjenje obavljajte samo s punjačem kojeg je naveo proizvođač.** Punjač koji je prikladan za jedan tip baterijskog modula može izazvati rizik od požara ako ga se upotrebljava s drugim baterijskim modulom.
- **Strojeve upotrebljavajte samo s izričito propisanim baterijskim modulima.** Upotreba drugih baterijskih modula može izazvati rizik od ozljeda i požara.
- **Kad se baterijski modul ne upotrebljava, držite ga podalje od drugih metalnih predmeta poput spajalica za papir, kovanica, ključeva, čavala, vijaka ili drugih malih metalnih predmeta koji mogu međusobno spojiti kontakte.** Kratko spajanje baterijskih kontakata može prouzročiti opekline ili požar.
- **U slučaju neprimjerene uporabe, baterija može izbaciti tekućinu; izbjegavajte kontakt.** Ako slučajno dođe do doticaja, mjesta doticaja isperite vodom. Ako tekućina dođe u doticaj s očima, dodatno potražite pomoć liječnika. Tekućina koju izbaci baterija može prouzročiti nadražaj kože ili opekline.
- **Ne upotrebljavajte baterijski modul ili stroj koji je oštećen ili preinačen.** Oštećene ili preinačene baterije mogu pokazati nepredvidljivo ponašanje koje

može rezultirati požarom, eksplozijom ili opasnošću od ozljeda.

- **Baterijski modul ili stroj ne izlažite vatri ili visokim temperaturama.** Izlaganje vatri ili temperaturi višoj od 130 °C može prouzročiti eksploziju.
- **Pridržavajte se svih uputa za punjenje, a baterijski modul ili stroj nemojte puniti izvan raspona temperature navedenog u uputama.** Nepropisno punjenje ili punjenje pri temperaturama izvan okvira određenog raspona može oštetiti bateriju i povećati opasnost od požara.

SERVISIRANJE

- **Servisiranje stroja prepustite kvalificiranom osoblju za popravak koje koristi samo identične zamjenske dijelove.** Time će se osigurati održavanje sigurnosti stroja.
- **Ne servisirajte oštećene baterijske module.** Servisiranje baterijskog modula smiju obavljati samo proizvođač ili ovlašteni serviseri.

UPUTE U VEZI SIGURNOSTI ZA AKUMULATORSKI RASPRŠIVAČ

⚠ OPASNOST: Opasnost od požara ili eksplozije. Ne raspršujte zapaljive tekućine poput benzina.

⚠ UPOZORENJE:

- **Kako biste izbjegli ozljede, nosite zaštitu za oči, disanje i kožu.**
- **Kako biste smanjili rizik od električnog udara, ne izlažite ga kiši.**
- **Samo za kućansku i vanjsku upotrebu.**
- **Nemojte raspršivati zapaljive ili gorive tekućine u zatvorenom prostoru.** Kada se raspršuje zapaljiva tekućina postoji opasnost od požara ili eksplozije, osobito u zatvorenom prostoru.
- **Prostor za raspršivanje mora se dobro prozračiti.**
- **Nemojte pušiti tijekom raspršivanja ili raspršivati na mjestima gdje postoje iskre ili slama.**
- **Prije punjenja spremnika uklonite bateriju.** Obrišite svu prolivenu količinu prije stavljanja baterijskog modula. Pridržavanje ovog pravila smanjit će rizik od električnog udara i prodora korozivnih tekućina u bateriju, što može uzrokovati kvar baterije, uključujući kratki spoj, što može rezultirati dimom, požarom i/ili ozbiljnim ozljedama.
- **Pazite da vodljive ili korozivne tekućine prodru**

u **baterijski modul**. Ako se po baterijskom modulu prolije vodljiva ili korozivna tekućina, pogledajte upute u korisničkom priručniku baterijskog modula.


- **Prije korištenja materijala za raspršivanje u raspršivaču, pažljivo pročitajte naljepnicu na originalnom spremniku za materijal i slijedite upute.** Neki materijali za raspršivanje su opasni i ne smiju se koristiti u ovoj raspršivaču jer mogu oštetiti raspršivač i uzrokovati ozbiljne tjelesne ozljede ili materijalnu štetu.
- **Upoznajte se sa sadržajem kemijske tvari koja se raspršuje.** Pročitajte sve sigurnosno-tehničke listove (SDS) i naljepnice spremnika koje ste dobili s kemijskom tvari. Slijedite sigurnosne upute proizvođača kemijske tvari.
- **Opasnost od električnog udara.** Ni slučajno ne prskajte prema električnim utičnicama.
- **Ne ulijevajte vruće ili kipuće tekućine u spremnik.** One mogu oslabiti ili oštetiti cijevi ili spremnik.
- **Izbjegavajte raspršivanje za vjetrovitih dana.** Sprej se može slučajno otpuhati na biljke ili predmete po kojima se ne smije raspršivati.
- **Spremite raspršivač u siguran, dobro prozračan zatvoreni prostor s praznim spremnikom za tekućinu.**
- **Nemojte raspršivati izbjeljivač ili vodikov peroksid.**
- **Ne raspršujte kemijske tvari na bazi alkohola.**
- **Nemojte raspršivati praškaste ili abrazivne kemijske tvari.**
- **Nemojte raspršivati lužnate (alkalne) ili samozagrijavajuće tekućine.**
- **Ne koristite kemijske tvari opasne po okoliš koje nisu dopuštene prema lokalnim propisima.**
- **Nemojte usmjeravati mlaznicu raspršivača u smjeru ljudi ili kućnih ljubimaca.**
- **Nemojte dopustiti da djeca i osobe ograničenih fizičkih, osjetilnih ili metalnih sposobnosti ili nedovoljnog iskustva i znanja ili osobe koje nisu upoznate s ovim uputama upotrebljavaju ovaj stroj.**
- **Rukovatelj ili korisnik odgovoran je za nesreće ili opasnosti za druge osobe ili njihovu imovinu.**
- **Raspršivač se smije koristiti samo sa proizvodima za zaštitu bilja odobrenim od strane lokalnih/nacionalnih regulatornih tijela za proizvode za zaštitu bilja za upotrebu s leđnim prskalicama.**
- **Rizik od ubrizgavanja.** Nemojte prskati izravno po koži. Držite sve dijelove tijela podalje od uzorka spreja.
- **Nemojte ostavljati ostatke ili materijal za raspršivanje u spremniku nakon uporabe**

raspršivača. Očistite nakon svake upotrebe.

- **Kako biste smanjili rizik od požara ili eksplozije, koristite tekućinu s plamištem iznad 60 °C.**
- **Kako biste smanjili rizik od električnog udara, ne stavljajte raspršivač u vodu ili drugu tekućinu. Uređaj ne stavljajte i ne čuvajte na mjestima gdje može pasti ili gdje ga se može povući u kadu ili sudoper.**
- **Održavajte proizvod.** Prije svake uporabe dobro pregledajte raspršivač iznutra i izvana te pregledajte komponente. Provjerite da nema napuknutog i pohabanog spremnika, curenja, začepljenih mlaznica i dijelova koji nedostaju ili su oštećeni. **Ako je proizvod oštećen, dajte ga popraviti prije uporabe.** Mnoge nesreće uzrokuju loše održavani proizvodi.
- **Okrenite sklopku napajanja u položaj isključeno kada se prskalica ne koristi i prije servisiranja ili čišćenja.**
- **Odspojite bateriju iz jedinice prije pražnjenja, čišćenja ili pohranjivanja raspršivača.** Takve preventivne mjere sigurnosti smanjuju rizik od slučajnog pokretanja.
- **Obvezno nosite zaštitu za oči s bočnim štitnicama ili naočalama.** U protivnom bi tekućina mogla ući u oči, što može uzrokovati ozbiljne ozljede.
- **Zaštitite svoja pluća.** Nosite odobrenu sigurnosnu opremu kao što su maske za lice koje su posebno dizajnirane za filtriranje sprejeva, rukavice i drugu odgovarajuću zaštitnu opremu. Pridržavanjem ovog pravila smanjit će se rizik od teških tjelesnih ozljeda. Slijedite upute u vezi sigurnosti i smjernice proizvođača kemijskih tvari navedene na SDS listu.
- **Kemijske tvari i kemijski dimovi mogu biti opasni i uzrokovati ozbiljne ozljede, trajna oštećenja ili smrt ako se progutaju, udišu ili poprskaju u oči ili kožu.** Slijedite upute u vezi sigurnosti i smjernice proizvođača kemijskih tvari navedene na SDS listu.
- **Radi smanjenja rizika od ozljede potreban je strog nadzor kada se proizvod upotrebljava u blizini djece.**
- **Nemojte dodirivati pokretne dijelove.**
- **Koristite samo priključke koje je preporučio ili prodao proizvođač.**
- **Spriječite nenamjerno pokretanje.** Prije povezivanja uređaja na baterijski modul, podizanja ili njegovog nošenja, provjerite nalazi li se sklopka u isključenom položaju. Nošenje uređaja s prstom na sklopki ili uključivanje napajanja uređaja koji imaju uključenu sklopku izaziva nesreće.

SAČUVAJTE OVE UPUTE

TEHNIČKI PODACI

Nazivni napon	56 V 
Maksimalni kapacitet spremnika	15 l
Maksimalni radni tlak	24 bara
Maksimalna brzina protoka za raspršivanje (s podesivom mlaznicom, način raspršivanja)	2,3 l/min
Promjer ulaznog filtra	35 mm
Veličina mrežice ulaznog filtra	0,35 mm
Promjer izlaznog filtra	124 mm
Težina (bez tekućine, bez baterijskog modula)	7,6 kg
Preporučena radna temperatura	5 °C - 40 °C
Preporučena temperatura skladištenja	-20 °C - 70 °C
Preporučena temperatura punjenja	5 °C - 40 °C

⚠ UPOZORENJE: Prije upotrebe lednog raspršivača, provjerite da njegova ukupna težina, uključujući stroj, tekućinu u spremniku i mlaznicu i baterijski modul koji se koristi, ne prelazi 25 kg kako biste izbjegli ozljede i gubitak ravnoteže.

- Deklarirane ukupne vrijednosti vibracija izmjerene su u skladu sa standardnom metodom ispitivanja i mogu se koristiti za usporedbu jednog alata s drugim;
- Deklarirane ukupne vrijednosti vibracija mogu se koristiti i u preliminarnoj procjeni izloženosti.

HR

OBAVIJEST: Emisija vibracija tijekom aktualnog korištenja električnog alata može se razlikovati od deklarirane vrijednosti u kojoj se alat koristi; Radi zaštite rukovatelja korisnik treba nositi rukavice i štitnike za uši u aktualnim uvjetima korištenja.

PAKIRANJE (SL. A1)

290

AKUMULATOSKI RASPRŠIVAČ S 56 VOLTNOM LITIJ-IONSKOM BATERIJOM I NAPRTNJAČOM — BSP3500E

OPIS

UPOZNAJTE RASPRŠIVAČ (SL. A1)

1. Crijevo
2. Baterijski pretinac
3. Spremnik
4. Čep spremnika
5. Drška za prenošenje
6. Podesivi uprtači za nošenje
7. Regulator brzine
8. Poluga za zaključavanje
9. Gumb za uključivanje/isključivanje
10. Upravljačka ručka
11. Krajnja kapica
12. Štap za raspršivanje
13. Podesiva mlaznica
14. Lepezasta mlaznica
15. Mlaznica za pjenjenje
16. Mlaznica za tuširanje

SASTAVLJANJE

⚠ UPOZORENJE: Ako je bilo koji dio oštećen ili nedostaje, nemojte upotrebljavati proizvod dok se ne zamijene dijelovi. Upotreba proizvoda na kojemu nedostaju dijelovi ili su oštećeni, može dovesti do ozbiljne tjelesne ozljede.

⚠ UPOZORENJE: Ne pokušavajte obavljati preinake na ovom proizvodu ili raditi dodatnu opremu koja nije preporučena za uporabu s ovim proizvodom. Sve takve izmjene ili preinake predstavljaju nepropisnu uporabu i mogu rezultirati opasnim stanjima koja mogu dovesti do mogućih teških tjelesnih ozljeda.

⚠ UPOZORENJE: Kako biste spriječili slučajno pokretanje koje bi moglo prouzročiti teške tjelesne ozljede, prije montiranja dijelova, podešavanja, čišćenja ili nekorištenja, uklonite baterijski modul iz proizvoda.

- Ovaj proizvod zahtijeva sastavljanje.
- Pažljivo izvadite proizvod i sav pribor iz kutije. Uvjerite se da se u kutiji nalaze sve stavke prikazane na „Popisu pakiranja”.
- Pažljivo pregledajte proizvod kako biste bili sigurni da tijekom prijevoza nije došlo do loma ili oštećenja.

- Nemojte odbaciti ambalažni materijal dok pažljivo ne pregledate i uspješno ne pokrenete proizvod.
- Ako je neki dio oštećen ili nedostaje, vratite proizvod na mjesto kupnje.

SPAJANJE CIJEVI RASPRŠIVAČA NA UPRAVLJAČKU RUČKU

1. Navrnite završni čep cijevi za raspršivanje na upravljačku ruku i čvrsto ga zategnite u smjeru kazaljke na satu (sl. B).
2. Povucite cijev za raspršivanje kako biste provjerili je li pravilno pričvršćena.

RAD

⚠ UPOZORENJE: Nemojte biti nepažljivi zato što ste upoznati s načinom rada proizvoda. Zapamtite da je samo jedan djelić sekunde nepažnje dovoljan za nastanak tjelesne ozljede.

⚠ UPOZORENJE: Koristite sigurnosnu opremu. Zaštitite oči, kožu i pluća tijekom miješanja, punjenja, raspršivanja i čišćenja. Ako to ne učinite, može doći do ozbiljnih tjelesnih ozljeda i materijalne štete.

⚠ UPOZORENJE: Da ne bi došlo do teške tjelesne ozljede, prije servisiranja, čišćenja, promjene priključaka ili uklanjanja materijala iz jedinice, izvadite baterijski modul iz alata.

⚠ UPOZORENJE: Nemojte upotrebljavati priključke ili pribor koje nije preporučio proizvođač ovog proizvoda. Upotreba nastavaka ili pribora koji nije preporučeni, može dovesti do ozbiljnih tjelesnih ozljeda.

Prije svake upotrebe, pregledajte da na stroju nema oštećenih, nedostajućih ili olabavljenih dijelova kao što su vijci, matice i poklopci. Čvrsto pritegnite sve elemente za pričvršćenje i kapice i ne upotrebljavajte proizvod dok se svi dijelovi koji nedostaju ili oštećeni dijelovi, ne zamijene.

NAMJENA

Proizvod možete koristiti za svrhe navedene u nastavku:

- Raspršivanje gnojiva i zalijevanje biljaka.
- Raspršivanje herbicida, pesticida i fungicida.

OBAVIJEST: Proizvod je namijenjen samo za uporabu u hortikulturi i poljoprivredi.

OBAVIJEST: Uredaj se smije koristiti samo za propisanu

namjenu. Svaka druga uporaba smatrat će se nepropisnom uporabom.

⚠ UPOZORENJE: Nepravilna primjena kemijskih tvari ili otopina može dovesti do TEŠKE OZLJEDE ili SMRTI. Slijedite upute u vezi sigurnosti i smjernice proizvođača kemijskih tvari navedene na SDS listu.

PUNJENJE SPREMNIKA (SL. C)

⚠ UPOZORENJE: Obavezno slijedite upute proizvođača kemijskih tvari otisnute na etiketi proizvoda u vezi uporabe, čišćenja i skladištenja. Nemojte kombinirati kemijske tvari. Nakon svake uporabe temeljito očistite spremnik na temelju uputa u odjeljku „ODRŽAVANJE” ovog priručnika. Kemijske tvari treba čuvati izvan dohvata djece. U protivnom može doći do teške tjelesne ozljede.

⚠ UPOZORENJE: Kako biste izbjegli ozljede i gubitak ravnoteže, pazite da količina tekućine koju dodajete u spremnik ne učini da ukupna težina raspršivača, uključujući stroj, tekućinu u spremniku, te mlaznicu i bateriju koja se koristi, ne prelazi 25 kg.

Tekuće kemijske tvari koje se raspršuju moraju biti rijetke poput vode. Gušće tekućine neće se pravilno raspršivati. Nemojte prepuniti spremnik.

1. Uklonite baterijski modul.
2. Odvrnite čep spremnika ulijevo i uklonite ga sa spremnika.
3. Postavite raspršivač na ravnu površinu.
4. Napunite spremnik željenom količinom vode.
5. Izmjerite preporučenu količinu tekuće kemijske tvari.
6. Pažljivo ulijte tekuću kemijsku tvar u spremnik.
7. Navrnite čep spremnika natrag na raspršivač, pazite da je dobro zategnut.

Otopine za raspršivanje mogu se prethodno pomiješati i uliti u raspršivač.

OBAVIJEST: Ako koristite mjernu posudu za držanje tekućine, svakako temeljito očistite i isperite posudu nakon upotrebe. Ako prethodno miješate otopinu za raspršivanje, isperite spremnik korišten za miješanje.

OBAVIJEST: Važno je da dobro očistite prskalicu nakon svake uporabe. Ostavljanje tekućine u raspršivaču koji ne radi duže vrijeme može uzrokovati zaglavljivanje pokretnih dijelova i konektora.

POSTAVLJANJE I UKLANJANJE BATERIJSKOG

MODULA

Upotrebljavajte samo s baterijskim modulima i punjačima tvrtke EGO navedenima na slici A2.

Više pojedinosti potražite u odgovarajućim priručnicima za baterijske module i punjače.

Baterijski modul potpuno napunite prije prve upotrebe.

1. Podignite poklopac pretinca za baterije podizanjem prednjeg dijela poklopca (sl. D1).
2. **Za pričvršćivanje** poravnajte izbočenja baterije s montažnim utorima i pritisnite baterijski modul prema dolje tako da se začuje zvuk „klik“ (sl. D1).
3. **Za odvajanje** utisnite gumb za oslobađanje baterije i izvucite baterijski modul van (sl. D2).
4. Zatvorite poklopac pretinca za baterije.

⚠ UPOZORENJE: Prije pritiska gumba za oslobađanje baterije, uvjerite se jesu li vaša stopala, djeca i domaće životinje na sigurnoj udaljenosti. Ako baterijski modul ispadne, može doći do teških ozljeda. NEMOJTE vaditi baterijski modul kada ste u povišenom položaju.

⚠ UPOZORENJE: Prije početka rada pazite da zasun na baterijskom modulu sjeda na mjesto te da je baterijski modul pričvršćen na alat. Ako baterijski modul ne dosjedne čvrsto, to može prouzročiti ispadanje baterijskog modula i dovesti do ozbiljnih tjelesnih ozljeda.

⚠ UPOZORENJE: Kako biste izbjegli ozbiljne tjelesne ozljede, uvijek uklonite bateriju i držite ruke podalje od upravljačke ručke kada podižete ili transportirate raspršivač.

POSTAVLJANJE RASPRŠIVAČA S NAPRTNJAČOM

⚠ UPOZORENJE: Pravilno se odjenite kako biste smanjili rizik od ozljeda za vrijeme rada s ovim uređajem. Nemojte nositi široku odjeću i nakit. Nosite zaštitu za oči. Nosite jake duge hlače, čizme i rukavice. Nemojte nositi kratke hlače ili sandale ili biti bos.

Prije upotrebe raspršivača s naprtnjačom provjerite ima li rukovatelj zaštitu za oči i propisanu odjeću te može li održavati siguran položaj tijela i ravnotežu.

Podешavanje nosivog pojasa

1. Provcute ruke kroz remene naprtnjače za držanje puhalo na leđima.
2. Privremeno prilagodite obje naramenice u udoban položaj (sl. E1), pazite da je lakat u udobnom položaju.

3. Pričvrstite kopču na prsima i po potrebi podesite duljinu prsnog remena (sl. E2).
4. Pričvrstite kopču za struk i podesite duljinu remene trake tako da naprtnjača bude čvrsto oslonjena na bokovima (sl. E3 i E4).

NAPOMENA: Naprtnjača se ne smije postaviti previsoko na leđima, ona mora biti bliže kukovima nego ramenima.

⚠ UPOZORENJE: Kada dođe do hitnog stanja, odmah otpustite kopče za prsa i struk kako biste skinuli remen naprtnjače sa svake strane. To je način za brzo oslobađanje.

5. Ponovno prilagodite naramenice radi sigurnosti i udobnosti. Pobrinite se da naprtnjača čvrsto leži na leđima – težinu mora nositi pojas na struku i ne smije se previše pomicati dok se krećete (sl. F5).
6. Umetnite višak remena oko struka u elastični dio na obje strane (sl. E6).
7. Ako želite skinuti naprtnjaču s leđa, samo pritisnite kopče oko struka i prsa p ih oslobodite i spustite raspršivač (sl. E7).

POKRETANJE/ZAUSTAVLJANJE RASPRŠIVAČA (SL. F)

Regulator brzine

1. Ako želite povećati protok, okrenite kotačić za regulaciju brzine udesno.

F-1	Regulator brzine	F-3	Gumb za uključivanje/isključivanje
F-2	Poluga za zaključavanje		

2. Ako želite smanjiti brzinu protoka, okrenite kotačić za regulaciju brzine ulijevo.
3. Raspršivač će prestati s radom ako nastavite okretati regulator u položaj „ISKLUČENO“.

⚠ UPOZORENJE: Kako biste spriječili nenamjerno pokretanje, okrenite kotačić za regulaciju brzine u isključeni položaj (crvena točka na kotačiću pokazuje prema cijevi za raspršivanje).

⚠ UPOZORENJE: Prije skladištenja stroja, ostavljanja na duže vrijeme ili zamjene baterije, uvijek okrenite kotačić za regulaciju brzine u isključeni položaj (crvena točka na kotačiću pokazuje prema cijevi za raspršivanje).

Gumb za uključivanje/isključivanje

1. Utisnite okidač za uključivanje/isključivanje kako biste uključili raspršivač.
2. Otpustite okidač kako biste zaustavili protok.

Poluga za zaključavanje

Poluga za zaključavanje prikladna je kada prskate duže vrijeme ili kada pokrivete veliko područje.

1. Ako želite zaključati okidač za uključivanje/isključivanje, pritisnite ručicu za zaključavanje nakon što ste pritisnuli okidač.
2. Ako želite otpustiti okidač za uključivanje/isključivanje, povucite polugu za zaključavanje.

OBAVIJEST: Uvjerite se da okidač nije zaključan prije umetanja baterije u raspršivač.

PODEŠAVANJE I ZAMJENA MLAZNICA

UPOZORENJE: Kako biste spriječili ozbiljne ozljede, uklonite baterijski modul prije podešavanja ili zamjene mlaznica.

Raspršivač dolazi s četiri mlaznice: Podesiva mlaznica, lepezasta mlaznica, mlaznica za tuširanje i mlaznica za pjenjenje. Promijenite mlaznicu prije nego počnete raditi kako bi odgovarala zadatku.

Podesiva mlaznica (sl. G1): Točkasto raspršivanje cvjetnjaka, šetnica, prilaza, terasa i oko drveća i grmlja. Rubovi duž ograde, prilaza i šetnica. Uništavanje žbunja.

Lepezasta mlaznica (sl. G3): Ravno raspršivanje za vrlo široko pokrivanje i tekućine veće viskoznosti. Priprema velikih površina za sadnju.

G-1	Lepezasta mlaznica	G-3	Mlaznica za pjenjenje
G-2	Mlaznica za tuširanje		

Mlaznica za tuširanje (sl. G3): Omogućuje veći protok vode za zalijevanje i tretiranje biljaka.

Mlaznica za zapjenjivanje (sl. G3): Vidljivo označava tretirane korove. Točkasto prskanje korova na travnjaku, oko cvjetnjaka, drveća i grmlja. Obrubljivanje duž ograde, prilaza i šetnica.

Podesiva mlaznica može se podešavati između mlaza i raspršivanja (sl. G1).

1. Okrenite narovašeni (teksturirani) dio mlaznice ulijevo za mlaz.
2. Okrenite narovašeni (teksturirani) dio mlaznice udesno za raspršivanje.

Odvrnite cijelu mlaznicu ulijevo kako biste uklonili i

promijenili mlaznicu (sl. G2).

Brzina protoka različitih mlaznica koje dolaze s prskalicom:

	Nazivna brzina protoka (l/min)	Maksimalni radni tlak (L/min)	Optimalni radni tlak (L/min)
Podesiva mlaznica	2,3	2,7	2,4
Lepezasta mlaznica	2,3	2,7	2,4
Mlaznica za tuširanje	2,3	2,9	2,7
Mlaznica za pjenjenje	2,3	2,7	2,4

PRSKANJE KEMIJSKIH TVARI ZA KUĆU I VRT (sl. H)

UPOZORENJE: Nemojte usmjeravati mlaznicu cijevi prema sebi ili drugima.

UPOZORENJE: Nemojte pušiti, jesti ili piti dok radite s raspršivačem.

UPOZORENJE: Ne raspršujte u smjeru ljudi ili životinja; uvijek raspršujte niz vjetar.

UPOZORENJE: Opasnost od požara ili eksplozije. Prostor za raspršivanje mora biti dobro prozračen i udaljen od iskri ili plamena.

1. Stavite komplet baterija.
2. Okrenite kotačić za regulaciju brzine za postavljanje željene brzine protoka.
3. Usmjerite mlaznicu raspršivača izravno na biljke ili predmete koje želite prskati.

NAPOMENA: Pazite da stojite dovoljno daleko od predmeta po kojemu raspršujete kako biste spriječili raspršivanje spreja natrag na vas.

4. Utisnite okidač za pokretanje raspršivača.
5. Otpustite okidač za zaustavljanje rada raspršivača.
6. Obvezno ispraznite i očistite spremnik nakon svake uporabe prema uputama u odjeljku „ODRŽAVANJE“.

SAVJETI ZA RAD

- Namjestite naramenice pojasa tako da se raspršivač nalazi iznad struka, a spremnik bude uz leđa.
- Izbjegavajte raspršivanje za vjetrovitih dana. Sprej se može slučajno otpuhati na biljke ili predmete po kojima se ne smije raspršivati.
- Raspršujte rano ujutro ili kasno poslijepodne, posebno po toplijem vremenu. Prekomjerna toplina može ispariti sprej prije nego što se slegne.

ODRŽAVANJE

⚠ UPOZORENJE: Pri servisiranju koristite samo identične zamjenske dijelove. Korištenje drugih dijelova može izazvati opasnost ili prouzročiti oštećenje proizvoda. Radi sigurnosti i pouzdanosti, sve popravke treba obavljati kvalificirani servisni tehničar.

⚠ UPOZORENJE: Kako biste izbjegli ozbiljne ozljede, izvadite baterijski modul iz raspršivača prije servisiranja, čišćenja, mijenjanja mlaznica, bilo kakvog održavanja ili kada se raspršivač ne koristi. Raspršivač s baterijskim modulom stalno je uključen i može se nehотиčno pokrenuti sam.

OPĆE ODRŽAVANJE

Sve servise prskalice, osim stavki navedenih u ovim uputama za održavanje, treba obavljati kvalificirani servisni tehničar.

ČIŠĆENJE

Pri čišćenju plastičnih dijelova izbjegavajte upotrebu otapala. Većina plastičnih materijala podložna je oštećenju od različitih vrsta komercijalnih otapala i mogu se oštetiti u slučaju njihove upotrebe. Za uklanjanje nečistoće, prašine, ulja, masti i sl. upotrijebite čistu krpu.

⚠ UPOZORENJE: Nemojte dopustiti da kočione tekućine, benzin, proizvodi na bazi nafte, penetrirajuća ulja i sl., dođu u doticaj s plastičnim dijelovima. Kemijske tvari mogu oštetiti, oslabiti ili uništiti plastiku što može rezultirati ozbiljnim tjelesnim ozljedama.

⚠ UPOZORENJE: Kada čistite raspršivač, NEMOJTE ga uranjati u vodu ili druge tekućine.

⚠ UPOZORENJE: Pravilno skladištite i zbrinjavajte kemijske tvari. Zbrinjavanje kontaminirane vode za ispiranje trebalo se obaviti u skladu s lokalnim uredbama i podzakonskim propisima.

- Ako je u spremniku ostalo tekućine nakon raspršivanja,

ispraznite spremnik prije čišćenja.

- Koristite samo meku, suhu krpu za čišćenje vanjskog dijela spremnika; nemojte koristiti deterdžent ili alkohol.
- Napunite spremnik čistom vodom do približno jedne trećine. Raspršujte dok se spremnik ne isprazni. Pazite da sprej usmjerite prema području koje otopina za raspršivanje neće oštetiti.
- Dopunite i ponovite postupak s čistom vodom. Možda će biti potrebno isprati spremnik više puta, a zatim ga ponovno isprazniti prema gore navedenim uputama.
- Pustite da se svi dijelovi potpuno osuše prije ponovnog sastavljanja i spremanja jedinice.

ODRŽAVANJE MLAZNICA

⚠ UPOZORENJE: Pazite da se svi radovi održavanja mlaznica za zamagljivanje obave pravilno kako bi se spriječilo curenje vode. Curenje može rezultirati skliskom površinom koja predstavlja opasnost od sklizanja i pada ili može uzrokovati materijalnu štetu.

Nepravilni uzorci raspršivanja ili curenje mogu biti posljedica začepljene ili prijava mlaznice.

1. Isključite raspršivač i izvadite baterijski modul.
2. **Za čišćenje podesive mlaznice (sl. I1):**
 - a. Odvijte i uklonite narovašeni (teksturirani) dio podesive mlaznice.
 - b. Gurnite tanku žicu (nije uključena) kroz križne rupe kako biste očistili sve ostatke. Ako je potrebno, isperite poprečne rupe i mlaznicu čistom vodom.
 - c. Obrišite mlaznicu čistom suhom krpom i ponovno postavite mlaznicu.
3. **Čišćenje ventilatora i mlaznice za pjenjenje (sl. I2):**
 - a. Odvijte i uklonite mlaznicu s cijevi za raspršivanje.
 - b. Gurnite tanku žicu (nije uključena) kroz rupu kako biste očistili sve ostatke. Ako je potrebno, isperite mlaznicu čistom vodom.
 - c. Obrišite mlaznicu čistom suhom krpom i ponovno postavite mlaznicu.

TRANSPORT I SKLADIŠTENJE (sl. L)

- Uklonite baterijski modul.
- Okrenite kotačić za regulaciju brzine u položaj isključeno (crvena točka na kotačiću pokazuje prema cijevi za raspršivanje).
- Dobro očistite raspršivač.
- Ispraznite spremnik, crijevo i cijev za raspršivanje.

OBAVIJEST: Prije skladištenja, posebno prije pripreme

za zimu, svakako ispraznite spremnik, crijevo i cijev za raspršivanje kako biste spriječili smrzavanje i oštećenje stroja, zbog čega se neće moći pokrenuti nakon zimovanja.

- Pričvrstite cijev za raspršivanje u postolje i kopču za spremanje.

J-1	Kopča za spremanje	J-3	Drška za prenošenje
J-2	Postolje		

- Podignite raspršivač za dršku za prenošenje ili ga nosite koristeći potporni pojas prilikom transporta.
- Čuvajte raspršivač na zatvorenom i dobro prozračenom mjestu.
- Čuvajte ga dalje od korozivnih sredstava kao što su vrtno kemijske tvari i soli za odleđivanje.

Zaštita okoliša



Električnu opremu, iskorištenu bateriju i punjač ne odlažite u otpad iz kućanstva!

Ovaj proizvod odnesite u ovlaštenu centar za reciklažu i time omogućite odvojeno sakupljanje. Električne alate potrebno je vratiti u ekološki prihvatljiv pogon za reciklažu.

RJEŠAVANJE PROBLEMA

PROBLEM	UZROK	RJEŠENJE
Raspršivač se ne pokreće.	<ul style="list-style-type: none"> ■ Baterijski modul nije pravilno umetnut u pretinac za baterije. ■ Nema električnog kontakta između raspršivača i baterijskog modula. ■ Baterijski modul je ispražnjen. ■ Baterijski modul i/ili raspršivač su prevrući. 	<ul style="list-style-type: none"> ■ Provjerite je li baterijski modul do kraja umetnut u pretinac za bateriju. ■ Uklonite baterijski modul, provjerite kontakte i ponovno stavite baterijski modul. ■ Napunite baterijski modul. ■ Pustite da se baterijski modul ili pogonska glava hlade dok temperatura ne padne u preporučeni raspon radne temperature.
Motor radi, ali iz mlaznice ne izlazi sprej.	<ul style="list-style-type: none"> ■ Niska razina tekućine u spremniku. ■ Mlaznica se začepila tijekom rada. 	<ul style="list-style-type: none"> ■ Provjerite i uvjerite se da u spremniku ima dovoljno tekućine. ■ Očistite mlaznice u skladu s poglavljem „ODRŽAVANJE MLAZNICA” i ponovno ih sastavite prema uputama.
Tekućina curi između upravljačke drške i cijevi.	<ul style="list-style-type: none"> ■ Završna kapica štapića je labava. 	<ul style="list-style-type: none"> ■ Zategnite završni čep.
Tekućina curi između cijevi za raspršivanje i mlaznice.	<ul style="list-style-type: none"> ■ Mlaznica je labava ili nepravilno postavljena. 	<ul style="list-style-type: none"> ■ Ponovno postavite mlaznicu pravilno i čvrsto u skladu s poglavljem „PODESAVANJE I ZAMJENA MLAZNICA”.

JAMSTVO

PRAVILA U VEZI JAMSTVA TVRTKE EGO

Cjelokupne uvjete i odredbe pravila jamstva tvrtke EGO potražite na web-mjestu egopowerplus.eu.



სრულად გაეცანით ინსტრუქციას!



გაეცანით მომხმარებლის სახელმძღვანელოს

⚠ გაფრთხილება ხელსაწყოს უსაფრთხოდ და გამართულად მუშაობისთვის საჭიროა მისი ყველა შეკეთება და ნაწილის შეცვლა შესრულდეს კვალიფიციური ტექნომსახურების ტექნიკოსის მიერ.

⚠ გაფრთხილება მოწყობილობის გამოყენებამდე ყურადღებით გაეცანით აღნიშნულ სახელმძღვანელოში მოცემულ უსაფრთხოების წესებს, მათ შორის, ყველა უსაფრთხოების სიმბოლოს, როგორცაა „საშიშროება“, „გაფრთხილება“ და „ყურადღება“. ქვემოთ ჩამოთვლილი მითითებების შეუსრულებლობამ შეიძლება გამოიწვიოს დენის დარტყმა, ხანძარი და/ან სხეულის სერიოზული დაზიანება.

შეინახეთ ყველა გაფრთხილება და ინსტრუქცია სამომავლოდ გამოყენებისთვის.

უსაფრთხოების სიმბოლოები

⚠ გაფრთხილება ელექტრო ხელსაწყოს გამოყენებისას შესაძლოა უცხო სხეულის თვალების მიდამოში მოხვედრა, რამაც შესაძლოა გამოიწვიოს თვალის მნიშვნელოვანი დაზიანება. ელექტრო ხელსაწყოს გამოყენებამდე აუცილებლად მოირგეთ უსაფრთხოების თვალსაფარი ან სათვალე სახის გვერდითა ნაწილების და მთლიანი სახის დამცავი ეკრანით, საჭიროების შემთხვევაში. ჩვენ რეკომენდაციას ვუწევთ ფართო ხედვის უსაფრთხოების ნიღაბს სათვალეებთან ერთად ან სტანდარტულ გვერდითა დაცვის მქონე უსაფრთხოების სათვალეებთან ერთად გამოსაყენებლად.



გამაფრთხილებელი ნიშანი



დაზიანების რისკის შესამცირებლად, მომხმარებელმა უნდა წაიკითხოს და გაიგოს მოწყობილობის მუშაობის ინსტრუქცია, მის გამოყენებამდე.



ჩაიცვით დამცავი ტანსაცმელი.



შესხურებისას ხელსაწყოს მორიდეთ სხვა ადამიანები.



ატარეთ სახის დამცავი ნიღაბი.



მოწყობილობა შეესაბამება EC-ის მოქმედ რეგულაციებს.



გარანტირებული ხმის სიმძლავრის დონე. გარემოში ხმაურის გავრცელების დონე ევროკავშირის რეგულაციების შესატყვისია.



აღნიშნული ხელსაწყო აკმაყოფილებს გაერთიანებული სამეფოს კანონმდებლობით დადგენილ მოთხოვნებს.



ელექტრო ხელსაწყოების უტილიზაცია არ უნდა მოხდეს საყოფაცხოვრებო ნარჩენებთან ერთად. წაიღეთ შესაბამის გადამამუშავებელ საწარმოში.



დაცვა წყლის მცირე ოდენობით გადასხმის შემთხვევაში





მუდმივი დენი

V ძაბვა

mm მილიმეტრი

.../წთ წუთში

n₀ დაუტვირთავი სიჩქარე

ზოგადი გაფრთხილებები უსაფრთხოების შესახებ

▲ გაფრთხილება გაეცანით ამ მოწყობილობასთან დაკავშირებულ უსაფრთხოების ყველა მითითებას, ინსტრუქციას, ილუსტრაციას და სპეციფიკაციას. ქვემოთ ჩამოთვლილი ყველა ინსტრუქციის უგულვებელყოფამ შესაძლოა გამოიწვიოს ელექტრო შოკი, ხანძარი და/ან მოგაყენოთ სერიოზული ზიანი.

შეინახეთ ყველა მითითება და ინსტრუქცია სამომავლოდ გამოყენებისთვის.

ტერმინი „მოწყობილობა“ უსაფრთხოების ინსტრუქციაში შეესაბამება ქსელიდან (სადენით) ან აკუმულატორით (უსადენო) მიღებულ დენზე მომუშავე მოწყობილობას.

სამუშაო სივრცის უსაფრთხოება

- დაიცავით სამუშაო სივრცის სისუფთავე და იქონიეთ კარგი განათება. ჩახერგილი ან ბნელი სამუშაო სივრცე იწვევს ინციდენტებს.
- არ ამუშაოთ მოწყობილობა ფეთქებადი საშუალებების არსებობისას, როგორცაა აალებადი სითხეები, აირები ან მტვერი. მოწყობილობა წარმოქმნის ნაპერწკალს, რომელმაც შესაძლოა აანთოს მტვერი ან აირი.
- ელექტრო ხელსაწყოთი სარგებლობისას მოარიდეთ მას ზავშვები და სხვა პირები. ყურადღების გაფანტვას შეუძლია გამოიწვიოს მოწყობილობაზე კონტროლის დაკარგვა.

KA

ელექტრო უსაფრთხოება

- მოწყობილობის დენის ჩანგალი უნდა ერეგებოდეს შტეფსელის როზეტს. არასოდეს

გაუკეთოთ მოწყობილობის დენის ჩანგალს მოდიფიცირება. არ გამოიყენოთ ადაპტორები ისეთი ხელსაწყოების დენის ჩანგალზე, რომელსაც აქვს დამიწება. არსებული დენის ჩანგალი და მისი შესაბამისი შტეფსელის არსებობა ამცირებს ელექტრული შოკის რისკს.

- მოერიდეთ სხეულით დამიწებული საგნების ზედაპირებთან კონტაქტს, როგორცაა მიწები, რადიატორები, ქურები და მაცივრები. ელექტრული შოკის მიღების რისკი იზრდება, თუ თქვენი სხეული დამიწებულია.
- არ გამოიყენოთ მოწყობილობა წვიმაში ან სველ გარემოში. ხელსაწყოში შესული წყალი ზრდის დენის დარტყმის რისკს.
- არ დააზიანოთ დენის სადენი. არასოდეს გამოიყენოთ სადენი ხელსაწყოთი სატარებლად, მოსაქაჩად ან შტეფსელიდან ამოსართველად. დაიცავით დენის სადენი სიმბურვალისგან, ზეთისგან, მკრელი და მომრავი საგნებისგან. დაზიანებული ან გადახლართული დენის სადენი ზრდის ელექტრო შოკის რისკს.
- მოწყობილობის გარეთ სარგებლობისთვის გამოიყენეთ დამაგრებლებელი, რომელიც ვარგისია გარეთ მუშაობისთვის. გარეთ მუშაობისთვის შესაბამისი ელექტრო სადენის გამოყენება ამცირებს ელექტრული შოკის რისკს.
- თუ ელექტრო ხელსაწყო ნესტიან გარემოში მუშაობა გარდაუვალია, გამოიყენეთ დიფერენციალური დაცვის მქონე (RCD) კვების წყარო. დიფერენციალური RCD დაცვის გამოყენება ამცირებს ელექტრული შოკის რისკს.

პირადი უსაფრთხოება

- მოწყობილობის გამოყენებისას იყავით ფხიზლად, იმოქმედეთ დაკვირვებით და საღი აზრის გათვალისწინებით. არ გამოიყენოთ მოწყობილობა, როდესაც ხართ

დადლილი, ან ალკოჰოლის, მედიკამენტების ან ნარკოტიკების ზემოქმედების ქვეშ.

მოწყობილობით სარგებლობისას მყისიერმა უყურადღებობამ შეიძლება მოგაყენოთ სერიოზული პირადი ზიანი.

- გამოიყენეთ პერსონალური დამცავი აღჭურვილობა. ყოველთვის გაიკეთეთ თვალების დამცავი. შესაბამის სამუშაო პირობებში დამცავი საშუალებების გამოყენება, როგორცაა მტვრის საწინააღმდეგო ნიღბი, მოცურების საწინააღმდეგო ფეხსაცმელი, მყარი ჩაფხუტი ან სმენის დამცავი, ამცირებს სამუშაო ტრავმებს.
- მოწყობილობის დაუზღვევადი ჩართვის აღკვეთა. დარწმუნდით, რომ ჩამრთველი არის გამორთული მდგომარეობაში მოწყობილობის დენში და/ან აკუმულატორთან შეერთებამდე, ხელსაწყოს მაღლა აწევამდე ან ტარებამდე. მოწყობილობის ტარება ჩამრთველის დილაკზე დადებული თითით ან დენში ჩართული მოწყობილობის ტარება, რომელსაც გააქტიურებული აქვს ჩართვის დილაკი, იწვევს უბედურ შემთხვევას.
- მოხსენით ნებისმიერი მიმაგრებული ატრიბუტი ან ქანჩის გასაღები მოწყობილობის ჩართვამდე. მოწყობილობის მბრუნავ ნაწილზე დამაგრებულმა ქანჩის გასაღებმა ან სხვა ატრიბუტმა შესაძლოა მოგაყენოთ სხეულის დაზიანება.
- ზედმეტად არ გადაიხაროთ. ყოველთვის დაიცავით ბალანსი და მყარად იდექით ფეხზე. ეს გაძლევთ საშუალებას, მოახდინოთ მოწყობილობის უკეთესი კონტროლი მოულოდნელ სიტუაციებში.
- ჩაიცვით შესაბამისად. არ ჩაიცვათ განიერი, ფრიალა ტანსაცმელი და არ გაიკეთათ სამკაულები. მთავრადი თმა და ტანსაცმელი მოძრავ ნაწილებს. განიერი, ფრიალა ტანსაცმელი, ძვირფასეულობა და თმა შესაძლოა ჩაითრიოს მოძრავმა ნაწილებმა.
- თუ არსებობს მტვრის ან ნარჩენების შემაკავშირებელი მოწყობილობები და შემგროვებელი საშუალებები, დარწმუნდით, რომ ისინი სწორადაა შეერთებული და გამოყენებული. მტვრისთვის შეგროვებისთვის განკუთვნილი საშუალებების გამოყენებამ შესაძლოა შეამციროს მასთან დაკავშირებული საფრთხეები.

- მსგავს მოწყობილობებთან ხშირი მუშაობის დროს არ გათამამდეთ და არ უგულვებელყოთ ხელსაწყოს უსაფრთხოების პრინციპების დაცვა. გაუფრთხილებელმა საქციელმა წამის მეთედშიც კი შესაძლოა მოგიტანოთ სერიოზული ზიანი.

მოწყობილობის გამოყენება და მოვლა

- არ დაატანოთ ძალა მოწყობილობას. გამოიყენეთ მართებული მოწყობილობა თქვენი მიზნებისთვის. მართებული მოწყობილობა უკეთ და უფრო უსაფრთხოდ გააკეთებს იმ საქმეს, რომლისთვისაც განკუთვნილია.
- არ გამოიყენოთ მოწყობილობა, თუ მისი ჩართვა და გამორთვა ჩამრთველით არ ხდება. მოწყობილობა, რომელიც ვერ კონტროლდება ჩამრთველით, სახიფათოა და საჭიროებს შეკეთებას.
- გათიშეთ დენის ჩანგალი მტყვსელიდან და/ან მოხსენით აკუმულატორის ბლოკი მოწყობილობას, თუ ეს შესაძლებელია, ნებისმიერი რეგულირებისას, ნაწილის ცვლილებისას ან ხელსაწყოს შენახვამდე. მსგავსი პრევენციული უსაფრთხოების ზომები ამცირებს მოწყობილობის უცაბედი ჩართვის რისკს.
- გამორთული მოწყობილობები შეინახეთ ბაგზეებისთვის მიუწვდომელ ადგილას და არ მისცეთ მოწყობილობის გამოყენების უფლება მისი სარგებლობის არმცოდნე ან მის ინსტრუქციაში ჩაუხედავ პირებს. მოწყობილობა გამოუცდელი პირების ხელში სახიფათოა.
- გაუფრთხილდით მოწყობილობებს და მის ნაწილებს. შეამოწმეთ მოძრავი და შემაკავშირებელი ნაწილების ურთიერთწინააღმდეგობა, ნაწილების დაზიანება და სხვა მდგომარეობა, რომელმაც შეიძლება გავლენა იქონიოს მოწყობილობის მუშაობაზე. დაზიანების შემთხვევაში, გამოიყენებამდე შეაკეთეთ მოწყობილობა. ბევრი ინციდენტი გამოწვეულია ცუდად მოვლილი მოწყობილობის გამო.
- მჭრელი ხელსაწყოები იქონიეთ სუფთა და ზასრ მდგომარეობაში. სწორად მოვლილი ზასრი საჭრელი პირის მქონე მჭრელი ხელსაწყოების გადაბმა ნაკლებად სავარაუდოა და მათი კონტროლიც უფრო ადვილია.
- გამოიყენეთ ეს მოწყობილობა,

KA

მისი ნაწილები, დამჭერები და ა.შ. ინსტრუქციების შესაბამისად, სამუშაო გარემოს და შესასრულებელი სამუშაოს ტიპის გათვალისწინებით. მოწყობილობის არადანიშნულებისამებრ გამოყენებამ შესაძლოა შექმნას სახიფათო სიტუაცია.

- **სახელურები და ხელის ჩასაჭიდი სხვა ზედაპირები იქონიეთ მშრალ და სუფთა მდგომარეობაში, მათ შორის, ცხიმისა და ზეთის გარეშე.** სრიალა სახელურები და ხელის ჩასაჭიდი ზედაპირები არ იძლევა მოწყობილობის უსაფრთხოდ გამოყენების და კონტროლის საშუალებას მოულოდნელ სიტუაციებში.

აკუმულატორის გამოყენება და მოვლა

- **დატენით მხოლოდ მწარმოებლის მიერ მითითებული დამტენი მოწყობილობით.** დამტენმა მოწყობილობამ, რომელიც თავსებადია ერთი ტიპის აკუმულატორის ბლოკთან, შესაძლოა წარმოშვას ხანძრის გაჩენის რისკი სხვა აკუმულატორზე გამოყენებისას.
- **გამოიყენეთ მოწყობილობა მხოლოდ სპეციალურად მისთვის განკუთვნილი აკუმულატორის ბლოკების გამოყენებამ** შესაძლოა წარმოშვას ფიზიკური დაზიანების ან ხანძრის რისკი.
- **როდესაც აკუმულატორის ბლოკს არ იყენებთ, მოაცილეთ იგი ლითონის საგნებს, როგორცაა ქაღალდის სამაგრები, მონეტა, გასაღები, ლურსმანი, ხრახნი ან სხვა მცირე ზომის ლითონის საგნები, რომელთაც შეუძლიათ მოახდინონ შეერთება ერთი ტერმინალიდან მეორეში.** აკუმულატორის კლემების ზედდებამ შეიძლება გამოიწვიოს დამწვრობები ან ხანძარი.
- **არასწორი მოპყრობის შემთხვევაში, აკუმულატორიდან შეიძლება სითხემ გამოჟონოს; მოერიდეთ მასთან შეხებას.** შემთხვევითი კონტაქტისას, შეხების არეალი წყლით ჩამოიბანეთ. სითხის თვალბინებთან კონტაქტის შემთხვევაში, ექიმს მიმართეთ. აკუმულატორიდან გამოჟონილმა სითხემ შესაძლოა გამოიწვიოს გაღიზიანება ან დამწვრობა.
- **არ გამოიყენოთ აკუმულატორის ბლოკი ან ხელსაწყო, რომელიც დაზიანებული ან გადაკეთებულია.** დაზიანებულმა ან გადაკეთებულმა აკუმულატორმა შესაძლოა გამოავლინოს არაპროგნოზირებადი ქცევა,

რამაც შეიძლება გამოიწვიოს ხანძარი, აფეთქება ან პირადი ზიანი.

- **არ მოათავსოთ აკუმულატორის ბლოკი ან ხელსაწყო ცეცხლთან ან მაღალ ტემპერატურაზე.** ცეცხლმა ან 130 °C-ზე მაღალმა ტემპერატურამ შესაძლოა გამოიწვიოს აფეთქება.
- **მიყევით დატენის ინსტრუქციებს და არ დატენოთ აკუმულატორის ბლოკი ინსტრუქციაში მითითებული ტემპერატურის დიაპაზონის გარეთ.** აკუმულატორის არასწორი ან ინსტრუქციაში მითითებული ტემპერატურის ფარგლებს მიღმა დამუხტვამ შეიძლება დააზიანოს აკუმულატორი და გაზარდოს ხანძრის რისკი.

ტექნომსახურება

- **მოწყობილობის ტექნომსახურება შესასრულებინეთ კვალიფიციურ პირს მხოლოდ იდენტური სათადარიგო ნაწილების გამოყენებით.** მსგავსი პროცედურა უზრუნველყოფს მოწყობილობის უსაფრთხოდ მუშაობას.
- **არასოდეს შეაკეთოთ დაზიანებული აკუმულატორის ბლოკები.** აკუმულატორების შეკეთება უნდა უზრუნველყოს მხოლოდ მწარმოებლმა ან ავტორიზებულმა სერვის პროვაიდერებმა.

უსადენო პულვერიზატორის უსაფრთხოების ინსტრუქცია

▲ საშიშროება: ხანძრის ან აფეთქების რისკი. არ შეასხუროთ აალებადი სითხეები, როგორცაა ბენზინი.

▲ გაფრთხილება

- **ტრავმის თავიდან ასაცილებლად ყოველთვის გამოიყენეთ თვალის, სუნთქვისა და კანის დამცავი საშუალებები.**
- **დენის დარტყმის რისკის შესამცირებლად არ დატოვოთ მოწყობილობა წვიმაში.**
- **მხოლოდ საყოფაცხოვრებო დანიშნულებით და ღია ცის ქვეშ გამოსაყენებლად.**
- **არ შეასხუროთ აალებადი ან წვადი**

სითხეები შემოსაზღვრულ ადგილას. აალებადი სითხის შესხურებისას არებობს ხანძრის ან აფეთქების საშიშროება, განსაკუთრებით შემოსაზღვრულ ადგილას.

- შესხურების ადგილი უნდა იყოს კარგად ვენტილირებადი.
- არ მოწიოთ შესხურებისას და არ შეასხუროთ იქ, სადაც ნაპერწკლები ან გამონაბოლქვია.
- ავზის შევსებამდე ყოველთვის მოხსენით აკუმულატორის ბლოკი. აკუმულატორის ბლოკის ჩასმამდე მოწინდეთ ნებისმიერი დაღვრილი სითხე. ამ წესის დაცვა შეამცირებს დენის დარტმის და აკუმულატორის ბლოკში კოროზიული სითხეების შეღწევის რისკს, რამაც შეიძლება გამოიწვიოს აკუმულატორის ბლოკის გაუმართაობა, მათ შორის მოკლე ჩართვა, კვამლის, ხანძრის წარმოქმნა და/ან სერიოზული ფიზიკური ტრავმა.
- არ დაუშვათ გამტარი ან კოროზიული სითხეების აკუმულატორის ბლოკში შეღწევა. თუ აკუმულატორის ბლოკზე დაღვრილია გამტარი ან კოროზიული სითხე, იხილეთ ინსტრუქციები თქვენს აკუმულატორის ბლოკის ოპერატორის სახელმძღვანელოში.
- სანამ ამ შემასხურებელში გამოიყენებთ შესასხურებელ მასალებს, კარგად წაიკითხეთ მასალის ორიგინალი ჭურჭლის ეტიკეტი და მიჰყევით მის მითითებებს. ზოგიერთი შესასხურებელი მასალა საშიშია და დაუმუგებელია მისი გამოყენება ამ პულვერიზატორში, რადგან მათ შეუძლიათ დააზიანონ პულვერიზატორი და გამოიწვიონ სხეულის სერიოზული დაზიანება ან ზიანი მიაყენონ ქონებას.
- იცოდეთ შესხურებული ქიმიური ნივთიერების შემადგენლობა. წაიკითხეთ ყველა უსაფრთხოების მონაცემთა ფურცელი (SDS) და კონტეინერის ეტიკეტები, რომლებიც მოწოდებულია ქიმიკატთან ერთად. დაიცავით ქიმიური ნივთიერების მწარმოებლის უსაფრთხოების ინსტრუქციები.
- დენის დარტმის საფრთხე. არასოდეს შეასხუროთ დენის გამომშვებებს.
- არ ჩაასხათ ავზში ცხელი ან მდუღარე სითხეები. ამან შეიძლება შეასუსტოს ან დააზიანოს მილები ან ავზი.
- მოერიდეთ შესხურებას კარიან დღეებში. სპრეი შეიძლება შემთხვევით აფეთქდეს

მცენარეებზე ან საგნებზე, რომლებზე შესხურებაც აკრძალულია.

- შეინახეთ პულვერიზატორი უსაფრთხო, კარგად ვენტილირებად შიდა სივრცეში ისე, რომ სითხის ავზი ცარიელი იყოს.
- არ შეასხუროთ გამათეთრებლები ან წყალბადის ზეჟანგი.
- არ შეასხუროთ ალკოჰოლზე დაფუძნებული ქიმიური ნივთიერებები.
- არ შეასხუროთ ფხვნილები ან აზრაზიული ქიმიური ნივთიერებები.
- არ შეასხუროთ კაუსტიკური (ტუტე) ან თვითგაცხელებადი სითხეები.
- არ გამოიყენოთ ეკოლოგიურად საშიში ქიმიური ნივთიერებები, რომლებიც აკრძალულია ადგილობრივი რეგულაციებით.
- არ მიუშვიროთ საფრქვევი ცხვირი სხვა ადამიანებს ან შინაურ ცხოველებს.
- არასოდეს მისცეთ მოწყობილობით სარგებლობის უფლება ზავშვებს, შეზღუდული ფიზიკური, მგრძობელობის ან მენტალური შეძლებლობის მქონე პირებს ან ცოდნისა და გამოცდილების არმქონე, მოწყობილობის გამოყენების ინსტრუქციების არმცოდნე პირებს.
- ოპერატორი ან მომხმარებელი პასუხისმგებელია იმ შემთხვევებზე ან საფრთხეებზე, რაც შესაძლოა დაემუქროს სხვა პირებს ან მათ ქონებას.
- პულვერიზატორი გამოიყენება მხოლოდ მცენარეთა დაცვის საშუალებებთან, რომლებიც დამტკიცებულია ადგილობრივი/ეროვნული მარეგულირებელი ორგანოების მიერ მცენარეთა დაცვის საშუალებებთან ზურგზე მოკიდებულ სახით გამოსაყენებლად.
- ინექციის რისკი. არ დავალოთ პირდაპირ კანზე. დაიცავით სხეულის ნაწილები შესხურებისგან.
- არ დატოვოთ ნარჩენები ან შესასხურებელი მასალა ავზში შემასხურებლის გამოყენების შემდეგ. გაასუფთავეთ ყოველი გამოყენების შემდეგ.
- ხანძრის ან აფეთქების რისკის შესამცირებლად გამოიყენეთ სითხე, რომლის აალების წერტილი 60°C-ზე მაღალია.
- დენის დარტმის რისკის შესამცირებლად,

KA

არ მოათავსოთ პულვერიზატორი წყალში ან სხვა სითხეში. არ მოათავსოთ ან შეინახოთ პულვერიზატორი იქ, სადაც იგი შესაძლოა ჩავარდეს ან ჩაიძიროს აბაზანაში ან პირსაბანოში.

- შეინახეთ ეს პროდუქტი. საფუძვლიანად შეამოწმეთ შემასხურებლის შიდა და გარე მხარე და შეამოწმეთ კომპონენტები ყოველი გამოყენების წინ. შეამოწმეთ, რომ არ არის ავზი დაზარალებული და გაფუჭებული, ხომ არ ჟონავს, საჭმენი ხომ არ არის გაჭედილი და ნაწილები ხომ არ არის დაზიანებული ან დაკარგული. დაზიანების შემთხვევაში, გამოყენებამდე შეაკეთეთ მოწყობილობა. ბევრი ინციდენტი გამოწვეულია ცუდად მოვლილი მოწყობილობის გამო.
- გადართეთ დენის გადამრთველი გამორთვის პოზიციაში, როდესაც პულვერიზატორს არ იყენებთ და აგრეთვე ტექნომსახურების ან გაწმენდის წინ.
- გათიშეთ აკუმულატორი დანადგარიდან პულვერიზატორის დაწრეტამდე, გასუფთავების ან შენახვის წინ. მსგავსი პრევენციული უსაფრთხოების ზომები ამცირებს მოწყობილობის უცაბედი ჩართვის რისკს.
- ყოველთვის გაიკეთეთ სათვალე ან გვერდითი დამცავი ფარები. წინააღმდეგ შემთხვევაში, თვალში შეიძლება მოხვდეს სითხე, რამაც შეიძლება გამოიწვიოს სერიოზული დაზიანება.
- დაიცავით თქვენი ფილტვები. ატარეთ დამტკიცებული უსაფრთხოების აღჭურვილობა, როგორცაა სახის ნიღბები, რომლებიც სპეციალურად შექმნილია სპრეის, ხელთათმანების და სხვა შესაბამისი დამცავი აღჭურვილობის გასაფილტრად. ამ წესის მიდევნება შეამცირებს სერიოზული პირადი ზიანის რისკს. დაიცავით ქიმიური მწარმოებლის უსაფრთხოების ინსტრუქციები და მითითებები, რომლებიც ჩამოთვლილია SDS ფურცელზე.
- ქიმიური ნივთიერებები და გამონახოლქვები შეიძლება იყოს საშიში და გამოიწვიოს სერიოზული დაზიანება, მუდმივი დაზიანება ან სიკვდილი გადაყლაპვის, შესუნთქვის ან თვალბეჭის ან კანზე მოხვედრის შემთხვევაში. დაიცავით ქიმიური მწარმოებლის უსაფრთხოების ინსტრუქციები და მითითებები, რომლებიც ჩამოთვლილია SDS ფურცელზე.

- დაზიანების რისკის შესამცირებლად საჭიროა განსაკუთრებული ზედამხედველობა, როდესაც პულვერიზატორი გამოიყენება ბავშვების სიახლოვეს.
- არ შეეხოთ მოძრავ ნაწილებს.
- გამოიყენეთ მხოლოდ ისეთი მისამაგრებელი ხელსაწყოები, რომელიც მოწოდებულია ან რეკომენდებულია მწარმოებლის მიერ.
- მოწყობილობის დაუგეგმავი ჩართვის აღკვეთა. დარწმუნდით, რომ ჩამრთველი არის გამორთულ პოზიციაში მოწყობილობის აკუმულატორთან მიერთებამდე, მოწყობილობის მაღლა აწევამდე ან ტარებამდე. მოწყობილობის ტარება ჩამრთველის დილაკზე დადებულ თითით ან როცა მოწყობილობის ჩართვის დილაკი ჩართულია, გამოიწვევს უბედურ შემთხვევებს.

შეინახეთ ეს მომხმარებლის ინსტრუქცია!

სპეციფიკაციები

ნომინალური ძაბვა	56 ვოლტი
მაქს. ავზის მოცულობა	15L
მაქს. სამუშაო წნევა	24 ბარი
მაქს. შესხურების ნაკადის სიჩქარე (რეგულირებადი საქშენით, შესხურების რეჟიმში)	2.3 ლ/წთ
შემყვანი ფილტრის დიამეტრი	35 მმ
შესასვლელი ფილტრის ბადის ზომა	0.35 მმ
გამომყვანი ფილტრის დიამეტრი	124 მმ
წონა (მშრალი წონა, აკუმულატორის ბლოკის გარეშე)	7.6 კგ
რეკომენდებული საექსპლუატაციო ტემპერატურა	5°C-40°C
რეკომენდებული დასაწყობების ტემპერატურა	-20°C-70°C
რეკომენდებული დამუხტვის ტემპერატურა	5°C-40°C

▲ გაფრთხილება: ზურგზე მოსაკიდებელი საფრეველის გამოყენებამდე, დარწმუნდით, რომ მისი მთლიანი წონა, მათ შორის დანადგარის, ავზში არსებული სითხის და გამოყენებული საქშენების და აკუმულატორის ბლოკის წონა არ აღემატება 25 კგ-ს, რათა თავიდან აიცილოთ დაზიანება და წონასწორობის დაკარგვა.

- მითითებული ვიზრაციის სრული სიდიდე გაზომილია სტანდარტული ტესტირების მეთოდის გამოყენებით და შესაძლოა გამოყენებულ იქნას ერთი მოწყობილობის მეორესთან შედარებისას;

- მითითებული ვიზრაციის სრული სიდიდე ასევე შესაძლოა გამოყენებულ იქნას ზემოქმედების პირველადი შეფასებისას.

გაფრთხილება: ელექტრო ხელსაწყოთა ფაქტობრივი გამოყენებისას ვიზრაციის ემისია შესაძლოა განსხვავდებოდეს მითითებული სიდიდისგან; მომხმარებელმა მოწყობილობით სარგებლობისას საჭიროა გამოიყენოს ხელთათმანები და სმენის დამცავი საშუალებები.

შეფუთვის ფურცელი (ნახ. A1)

აღწერილობა

შეისწავლეთ თქვენი პულვერიზატორი (ნახ. A1)

1. შლანგი
2. აკუმულატორის ნაკვეთური
3. ავზი
4. ავზის ხუფი
5. სატარებელი სახელური
6. რეგულირებადი სამაგრი დვეგი
7. სიჩქარის ციფერბლატი
8. ჩაკეტვის ბერკეტი
9. ჩართვა/გამორთვის ტრიგერი
10. საკონტროლო სახელური
11. ტორსული ხუფი
12. შესასხურებლის ჯოხი
13. რეგულირებადი საქშენი
14. ვენტილატორის ფრეკვევანა
15. ქაფის ფრეკვევანა
16. შხაპისებრი ფრეკვევანა

ნაკრები

▲ გაფრთხილება: თუ რომელიმე ნაწილი დაზიანებულია ან დაკარგულია, არ ისარგებლოთ მოწყობილობით, სანამ ყველა ნაწილი არ შეიცვლება. დაზიანებული ან დაკარგული ნაწილების მქონე მოწყობილობით სარგებლობას შესაძლოა მოჰყვეს სერიოზული ზიანი.

KA

▲ გაფრთხილება: არ სცადოთ ხელსაწყოს გადაკეთება ან ისეთი აქსესუარების შექმნა, რომლებიც არაა რეკომენდებული ამ ხელსაწყოებისთვის. ნებისმიერი მსგავსი ცვლილება ან მოდიფიკაცია არის მოწყობილობის არასათანადო გამოყენება და შესაძლოა წარმოქმნას სახიფათო მდგომარეობა, რომელმაც შესაძლოა გამოიწვიოს სერიოზული პირადი ზიანი.

▲ გაფრთხილება: უცაბედი ჩართვის გამოსარიცხად, რომელმაც შესაძლოა გამოიწვიოს სერიოზული ფიზიკური ზიანი, ყოველთვის მოხსენით აკუმულატორის ბლოკი ხელსაწყოდან, როდესაც ხდება მისი აწყობა, რეგულირება, წმენდა ან როდესაც არ ხდება ხელსაწყო გამოყენება.

- ეს ხელსაწყო საჭიროებს აწყობას.
- ფრთხილად ამოიღეთ ხელსაწყო და მისი ყველა ნაწილი ყუთიდან. დარწმუნდით, რომ „შეფუთვის ფურცელში“ ჩამოთვლილი ყველა ნაწილი ადგილზეა.
- გულდასმით შეამოწმეთ ხელსაწყო, რათა დარწმუნდით, რომ ტრანსპორტირებისას იგი არ გატეხილან ან დაზიანებულა.
- შეინახეთ შესაფუთი მასალა, სანამ ყურადღრებით არ შეამოწმებთ და დამაკმაყოფილებელი სახით არ გამოიყენებთ პროდუქტს.
- თუ რომელიმე ნაწილი დაზიანებულია ან დაკარგულია, გთხოვთ, დაბრუნოთ ხელსაწყო შექმნის ადგილას.

საფრეჯვის ღეროს დავაშირება მართვის სახელურთან

1. ჩახრახნით პულვერიზატორის ღერო მართვის სახელურში და საიმედოდ დაამაგრეთ საათის ისრის მიმართულებით (ნახ. B).
2. მოქაჩეთ პულვერიზატორის ღერო, რათა დარწმუნდით, რომ ის სწორად არის დამაგრებული.

მუშაობა

▲ გაფრთხილება: შეეცადეთ მსგავსი პროდუქტის გამოყენების გამოვდილება არ გამოიწვიოს თქვენი უგულისყურობა. დაიმახსოვრეთ, რომ უგულისყურობამ წამის მეთაღმდეგ კი შესაძლოა მოგიტანოთ

სერიოზული ზიანი.

▲ გაფრთხილება: გამოიყენეთ დამცავი საშუალებები. დაიცავით თვალები, კანი და ფილტვები შერევის, შეფხების, შესხურების და გაწმენდისას. ამ ინსტრუქციის უგულებელყოფამ შესაძლოა გამოიწვიოს სერიოზული ფიზიკური ზიანი ან ქონების დაზიანება.

▲ გაფრთხილება: სერიოზული ფიზიკური ზიანისგან თავის არიდების მიზნით მოხსენით აკუმულატორი ხელსაწყოს ტექნომსახურების, გაწმენდის, მიმაგრების შეცვლის ან ავზის შევსება ან დაცლის დროს.

▲ გაფრთხილება: არ გამოიყენოთ სხვა ნებისმიერი ნაწილი, რომელიც არაა რეკომენდებული ამ მოწყობილობის მწარმოებლის მიერ. არარეკომენდებული დასამაგრებელი ნაწილების ან აქსესუარების გამოყენებამ შესაძლოა მოგაყენოთ სერიოზული ზიანი.

ყოველი გამოყენების წინ შეამოწმეთ მთლიანი პროდუქტი, ხომ არ არის დაზიანებული, დაკარგული ან მოშვებული მისი ნაწილები, როგორცაა ხრახნები, ქანჩები, ჭანჭიკები, ხუფები და ა.შ. მჭიდროდ დაუჭირეთ ყველა სამაგრი და ხუფი და არ ამუშაოთ ეს ხელსაწყო, სანამ ყველა დაკარგული ან დაზიანებული ნაწილი არ შეიცვლება.

მიზნობრივი გამოყენება

თქვენ შეგიძლიათ გამოიყენოთ მოწყობილობა ქვემოთ ჩამოთვლილი მიზნებისთვის:

- სასუქების შეტანა და მცენარეების მორწყვა.
- ჰერბიციდების, პესტიციდების და ფუნგიციდების შესხურება.

გაფრთხილება: პროდუქტი განკუთვნილია მხოლოდ მეზღეობისა და სოფლის მეურნეობის სფეროში გამოაყენებლად.

გაფრთხილება: პროდუქტის გამოყენება შესაძლებელია მხოლოდ დანიშნულებისამებრ. სხვა ნებისმიერი სახით გამოყენება ჩაითვლება, როგორც არასწორი გამოყენების შემთხვევა.

▲ გაფრთხილება: ქიმიკატების ან ხსნარების არასწორმა გამოყენებამ შეიძლება გამოიწვიოს მძიმე დაზიანება ან სიკვდილი. დაიცავით

KA

ქიმიური მწარმოებლის უსაფრთხოების ინსტრუქციები და მითითებები, რომლებიც ჩამოთვლილია SDS ფურცელზე.

ავზის შევსება (ნახ. C)

▲ გაფრთხილება: ყოველთვის დაიცავით ქიმიური ნივთიერების გამოყენების, გაწმენდისა და შენახვის მწარმოებლის ინსტრუქციები, რომლებიც დაბეჭდილია პროდუქტის ეტიკეტზე. არ შეუერთოთ ქიმიკატები ერთმანეთს. საგულდაგულოდ გაასუფთავეთ ავზი თითოეული გამოყენების შემდეგ, დაიცავით ამ სახელმძღვანელოს „ტექნომასხურების“ ნაწილში არსებული მითითებები. შეინახეთ ქიმიური ნივთიერებები ბავშვებისთვის მიუწვდომელ ადგილას. ამ ინსტრუქციის უგულვებელყოფამ შესაძლოა გამოიწვიოს სერიოზული ფიზიკური ზიანი.

▲ გაფრთხილება: ტრავმისა და წონასწორობის დაკარგვის თავიდან ასაცილებლად, ავზში დამატებული სითხის რაოდენობამ არ უნდა გამოიწვიოს პულვერიზატორის მთლიანი წონის ზრდა ისე, რომ მან 25 კგ-ს გადააჭარბოს, დანადგარის, ავზში არსებული სითხის, გამოყენებული საქმენების და აკუმულატორის ბლოკის ჩათვლით.

შესასხურებელი თხევადი ქიმიკატები წყალივით თხელი უნდა იყოს. სქელი სითხეების შესხურება სათანადოდ ვერ მოხდება. ზედმეტად ნუ გადაავსებთ ავზს.

1. მოხსენით აკუმულატორი.
2. გახსენით ავზის თავსახური საათის ისრის საწინააღმდეგო მიმართულებით გადატრიალების გზით და მოხსენით იგი ავზიდან.
3. დადგით პულვერიზატორი სწორ ზედაპირზე.
4. შეავსეთ ავზი სასურველი რაოდენობის წყლით.
5. გაზომეთ თხევადი ქიმიური ნივთიერების რეკომენდებული რაოდენობა.
6. ფრთხილად ჩაასხით თხევადი ქიმიკატი ავზში.
7. მოხრახნეთ ავზის თავსახური პულვერიზატორზე, დარწმუნდით, რომ მყარადაა მოჭერილი.

შესასხურებელი ხსნარები შეიძლება წინასწარ შეუერთოთ და ჩაასხათ პულვერიზატორში.

▲ გაფრთხილება: თუ იყენებთ საზომ კონტეინერს სითხის შესანახად, გამოყენების შემდეგ კარგად გაასუფთავეთ და გარეცხეთ ის. სპრეის ხსნარის წინასწარ შერევისას, გაავლეთ წყალი შერევისთვის გამოყენებულ კონტეინერს.

▲ გაფრთხილება: მნიშვნელოვანია ყოველი გამოყენების შემდეგ პულვერიზატორის კარგად გაწმენდა. სითხის ხანგრძლივად უმოქმედო პულვერიზატორში დატოვებამ შეიძლება გამოიწვიოს მისი მოძრავი ნაწილებისა და კონექტორების გაჭედავა.

აკუმულატორის ბლოკის ჩამაგრება/მოხსნა გამოიყენეთ მხოლოდ ნახ. A2-ში ჩამოთვლილი EGO-ს აკუმულატორის ბლოკები და დამტენები.

დეტალური მითითებებისთვის იხილეთ აკუმულატორისა და დამტენის სახელმძღვანელოები.

სრულად დატენით პირველად გამოყენებამდე.

1. აწიეთ აკუმულატორის ბუდის საფარი საფარის წინა ნაწილის მალა აწევით (ნახ. D1).
2. დამაგრების მიზნით, გაუსწორეთ აკუმულატორის სამაგრები ბუდის ნასვრეტებს და დააწექით აკუმულატორს, სანამ არ გაიგებთ „წკაპუნის“ ხმას (ნახ. D1).
3. მოსახსნელად, დააჭირეთ აკუმულატორის მოხსნის ლილავს და გამოქაჩეთ აკუმულატორის ბლოკი გარეთ (ნახ. D2).
4. დახურეთ აკუმულატორის ნაკვეთურის საფარი.

▲ გაფრთხილება: ყოველთვის შეამოწმეთ თქვენი ფეხების, ბავშვების ან შინაური ცხოველების მდებარეობა აკუმულატორის გამშვები ლილავის დაჭერისას. აკუმულატორის დავარდნამ შესაძლოა გამოიწვიოს სერიოზული ფიზიკური ზიანი. არასდროს მოხსნათ აკუმულატორი სიმაღლეზე.

▲ გაფრთხილება: გამოყენების დაწყებამდე დარწმუნდით, რომ პულვერიზატორზე არსებული ჩამკეტი ჯდება თავის ადგილას და რომ აკუმულატორი მჭიდროდაა დამაგრებული ხელსაწყოზე და აკუმულატორის ნაკვეთურის საფარი სრულადაა დახურული. თუ აკუმულატორის

KA

ბლოკს ვერ ჩასვამთ მყარად თავის ადგილზე, ის შეიძლება გადმოვარდეს და გამოიწვიოს ადამიანის სერიოზული დაზიანება.

▲ გაფრთხილება: სერიოზული ფიზიკური ზიანისგან თავის არიდების მიზნით ყოველთვის მოხსენით აკუმულატორი და დაიკავეთ ხელეები შორს მართვის სახელურისგან, როდესაც წევთ ან გადაგაქვთ ხელსაწყო.

პულვერიზატორი-ზურგანთის პოზიციონირება

▲ გაფრთხილება: ჩაიცვით შესაბამისად, რათა შეამციროთ დაზიანების რისკი მოწყობილობით სარგებლობის დროს. არ ჩაიცვით განიერი, ფრიალა ტანსაცმელი და არ გაიკეთოთ ძვირფასეულობა. გაიკეთეთ თვალეების დამცავი. ჩაიცვით სამუშაო გრძელი შარვალი, ჩექმა და ხელთათმანები. დაუშვებელია მოკლე შორტის ან სანძღლების ჩაცმა ან ფეხშიშველა სიარული.

ზურგზე მოსაკიდებელი პულვერიზატორის გამოყენებამდე ოპერატორმა უნდა გაიკეთოს თვალის დამცავი და ჩაიცვას სათანადო ტანსაცმელი და ფეხსაცმელი უნდა შეეძლოს წონასწორობის დაცვა.

სამაგრი ღვედის რეგულირებისთვის

1. გაუყარეთ ხელეები ზურგანთის სამკლავურებს, რათა მიირგოთ პულვერიზატორი თქვენს ზურგზე.
2. დროებით დაარეგულირეთ ორივე მხრის ღვედი კომფორტულ პოზიციაში (ნახ. E1) და დარწმუნდით, რომ თქვენი იდაყვი კომფორტულ მდგომარეობაშია.
3. ჩაკეტეთ მკერდის შესაკრავი და დაარეგულირეთ მკერდის ღვედის სიგრძე საჭიროების შემთხვევაში (ნახ. E2).
4. შეკარით წელის შესაკრავი და დაარეგულირეთ წელის ღვედის სიგრძე ისე, რომ ზურგჩანთა მყარად დამაგრდეს თქვენს ბარმაყებზე (ნახ. E3 და E4).

დროს დაუყოვნებლივ მოუშვით გულმკერდის და წელის ბალთები, რათა მოიხსნათ ზურგჩანთის ღვედი თითოეულ მხარეს. ეს არის სწრაფი მოხსნის მეთოდი.

5. ხელახლა დაარეგულირეთ მხრის ღვედები სიმტკიცისა და კომფორტის მისაღწევად. დარწმუნდით, რომ ზურგჩანთა მყარად არის ზურგზე მორგებული, ძირითადი წონა ეყრდნობა წელის ღვედს და ის არ აკეთებს ზედმეტ მოძრაობებს როცა მოძრაობთ (ნახ. E5).
6. წელის ღვედის დამატებითი სიგრძე ჩასვით წელის გარშემო ორივე მხარეს არსებულ ელასტიურ სამაგრში (ნახ. E6).
7. ზურგჩანთის ზურგიდან მოსახსნელად დააწეით წელის და მკერდის ღვედების ბალთებს, რათა მოიხსნათ და ჩამოუშვათ პულვერიზატორი (ნახ. E7).

საბერველას ჩართვა/გამორთვა (ნახ. F)

სიჩქარის ციფერბლატი

1. ნაკადის სიჩქარის გასაზრდელად, გადაატრიალეთ სიჩქარის ციფერბლატი საათის ისრის მიმართულებით.

F-1	სიჩქარის ციფერბლატი	F-3	ჩართვა/გამორთვის ტრიგერი
F-2	ჩაკეტვის ბერკეტი		

2. ჭავლის სიჩქარის შესამცირებლად დაატრიალეთ სიჩქარის ციფერბლატი საათის ისრის საწინააღმდეგო მიმართულებით.
3. პულვერიზატორი გაჩერდება, თუ ციფერბლატს გადაატრიალებთ „გამორთვის“ პოზიციაზე.

▲ გაფრთხილება: უნებლიე ამუშავების თავიდან ასაცილებლად, გადაატრიალეთ სიჩქარის ციფერბლატი გამორთვის პოზიციაზე (წითელი წერტილი ციფერბლატზე მიმართულია შესუბრების დეროსკენ).

▲ გაფრთხილება: მოწყობილობის შენახვამდე, დიდი ხნით დატოვებამდე ან აკუმულატორის ბლოკის გამოცვლამდე, ყოველთვის გადაატრიალეთ სიჩქარის ციფერბლატი გამორთვის მდგომარეობაში (წითელი წერტილი ციფერბლატზე

KA

შენიშვნა: ზურგჩანთა არ უნდა იმყოფებოდეს ძალიან მაღლა თქვენს ზურგზე; იგი ბარმაყებთან უფრო ახლოს უნდა მდებარეობდეს, ვიდრე თქვენს მხრებთან.

▲ გაფრთხილება: საგანგებო შემთხვევის

მიმართულია შესხურების ღეროსკენ).

ჩართვა/გამორთვის ტრიგერი

1. დააჭირეთ ჩართვა/გამორთვის ტრიგერს, რათა ჩართოთ პულვერიზატორი.
2. ხელი აუშვით ტრიგერს, რათა გააჩეროთ ნაკადი.

ჩაკეტვის ბერკეტი

ჩამკეტი ბერკეტი მოსახერხებელია დიდი ხნის განმავლობაში შესხურებისას ან დიდი ფართობის დამუშავებისას.

1. ჩართვა/გამორთვის ტრიგერის ჩასაკეტად დააჭირეთ ჩამკეტ ბერკეტს ტრიგერის დაჭერის შემდეგ.
2. ჩართვა/გამორთვის ტრიგერის ასაშვებად მოქაჩეთ ჩამკეტი ბერკეტი.

გაფრთხილება: დარწმუნდით, რომ ტრიგერი არ არის ჩაკეტილი, სანამ აკუმულატორის ბლოკს პულვერიზატორში ჩადებთ.

საქმენების მორგება და შეცვლა

▲ გაფრთხილება: ფიზიკური დაზიანების პრევენციისთვის, მოხსენით აკუმულატორის ბლოკი ხელსაწყოს, სანამ დაიწყებთ მის დარეგულირებას ან საქმენების გამოცვლას.

პულვერიზატორს მოყვება ოთხი საქმენი: რეგულირებადი საქმენი, ვენტილატორის საქმენი, შხაპის საქმენი და ქაფიანი საქმენი. მუშაობის დაწყებამდე შეცვალეთ საქმენი, რათა მორგოთ სამუშაოს.

რეგულირებადი საქმენი (ნახ. G1): წვეთოვანი შესხურება ყვავილების რიგებზე, ბილიკებზე, ეზოებში და ხეებისა და ბუჩქების ირგვლივ. კიდების მოწყობა ღობეების, სავალი გზებისა და ბილიკების გასწვრივ. ბუჩქების განადგურება.

ვენტილატორის საქმენი (ნახ. G3): ბრტყელი შესხურება მალიან დიდი ფართობის დაფარვისა და უფრო მაღალი სიძლიანტის სითხეებისთვის. დიდი ფართობის მომზადება დარგვისთვის.

G-1	ვენტილატორის ფრქვევანა	G-3	ქაფის ფრქვევანა
G-2	შხაპისებრი ფრქვევანა		

შხაპის საქმენი (ნახ. G3): გამოყოფს წყლის უფრო მაღალ ნაკადს მცენარეების მორწყვისა და დასამუშავებლად.

ქაფის საქმენი (ნახ. G3): შესამჩნევად მონიშნავს დამუშავებულ სარეველას. წერტილოვანი შესხურება სარეველებზე გაზონზე, ყვავილების რიგში, ხეების და ბუჩქების ირგვლივ. კიდების მოწყობა ღობეების, სავალი გზებისა და საფეხმავლო ბილიკების გასწვრივ.

რეგულირებადი საქმენის მორგება შესაძლებელია ნაკადსა და სპრეს შორის (ნახ. G1).

1. გადაატრიალეთ საქმენის ამობურცული (ტექსტურირებული) ნაწილი საათის ისრის საწინააღმდეგოდ ნაკადის მისაღებად.
2. გადაატრიალეთ საქმენის ამობურცული (ტექსტურირებული) ნაწილი საათის ისრის მიმართულელებით შესხურებისთვის.

გადაატრიალეთ მთელი საქმენი საათის ისრის საწინააღმდეგოდ, რომ ამოიღოთ და შეცვალოთ საქმენი (ნახ. G2).

პულვერიზატორიდან გამომავალი სხვადასხვა საქმენების ნაკადის სიჩქარე:

	ნომინალური ნაკადის სიჩქარე (ლ/წთ)	მაქსიმალური სამუშაო წნევა (ლ/წთ)	ოპტიმალური სამუშაო წნევა (ლ/წთ)
რეგულირებადი საქმენი	2.3	2.7	2.4
ვენტილატორის ფრქვევანა	2.3	2.7	2.4
შხაპისებრი ფრქვევანა	2.3	2.9	2.7
ქაფის ფრქვევანა	2.3	2.7	2.4

სახლისა და ბაღის ქიმიკატების შესხურება (ნახ. H)

▲ გაფრთხილება: არასოდეს მიმართოთ საქმენის ღერო საკუთარი თავისკენ ან სხვებისკენ.

▲ გაფრთხილება: არასოდეს მოწიოთ, არ ჰამოთ ან დალიოთ პულვერიზატორის

KA

მუშაობისას.

▲ გაფრთხილება: არასოდეს შესხუროთ ადამიანების ან ცხოველების მიმართულებით; ყოველთვის შესხუროთ ქარის მიმართულებით.

▲ გაფრთხილება: ხანძრის ან აფეთქების რისკი. შესხურების ადგილი უნდა იყოს კარგად ვენტილირებადი და დაშორებული ნაპერწკლებისგან ან ალისგან.

1. ჩასვით აკუმულატორის ბლოკი.
2. გადაატრიალეთ სიჩქარის ციფერბლავტი სასურველი ნაკადის სიჩქარის დასაყენებლად.
3. პულვერიზატორის საქმენი დაუმიზნეთ პირდაპირ მცენარეებს ან საგნებს, რომელთა შესხურებაც გსურთ.

შენიშვნა: დადექით საკმარისად შორს შესასხურებელი საგნიდან, რათა თავიდან აიცილოთ შესხურებული სითხის უკან თქვენზე შესხმა.

4. დააჭირეთ ტრიგერს ხელი პულვერიზატორის ჩასართვად.
5. ხელი აუშვით ტრიგერს, რათა გამორთოთ პულვერიზატორი.
6. ყოველთვის დაწირტეთ და გაწმინდეთ ავზი ყოველი გამოყენების შემდეგ, როგორც მითითებულია „ტექნომსახურების“ განყოფილებაში.

რჩევები ექსპლუატაციასთან დაკავშირებით

- დაარეგულირეთ მოწყობილობის მხრის თასმები ისე, რომ პულვერიზატორი თქვენს წელის ზემოთ იყოს და ავზი ახლოს იყოს თქვენს ზურგთან.
- მოერიდეთ შესხურებას ქარიან დღეებში. სპრეი შეიძლება შემთხვევით აფეთქდეს მცენარეებზე ან საგნებზე, რომლებზე შესხურებაც აკრძალულია.
- შესახურეთ დილით ადრე ან გვიან შუადღისას, განსაკუთრებით თბილ ამინდში. გადაჭარბებულმა სიციხემ შეიძლება გამოიწვიოს შესხურებული სითხის აორთქლება.

ტექნიკური მომსახურება

▲ გაფრთხილება: ტექნიკური

მომსახურებისას გამოიყენეთ მხოლოდ იდენტური სათადარიგო ნაწილები. სხვა ნებისმიერი ნაწილის გამოყენებამ შესაძლოა შექმნას საფრთხე ან გამოიწვიოს მოწყობილობის დაზიანება. უსაფრთხოებისა და საიმედოობის უზრუნველსაყოფად, ყველა სახის შეკეთება უნდა ჩატარდეს ტექ. მომსახურების კვალიფიციური სპეციალისტის მიერ.

▲ გაფრთხილება: სერიოზული ფიზიკური ზიანისგან თავის არიდების მიზნით მოხსენით აკუმულატორი ელექტრულ თავდაც ტექნომსახურების, გაწმენდის, საფრქვევების შეცვლის, შეკეთების დროს ან როდესაც ხელსაწყო არაა გამოყენებაში. აკუმულატორზე მომუშავე ხელსაწყო მიმაგრებული აკუმულატორის ბლოკით ყოველთვის ჩართულია და შესაძლოა უცებ ამუშავდეს.

ზოგადი მოვლის პირობები

პულვერიზატორის ტექნიკური მომსახურება, გარდა ინსტრუქციაში მოცემული მოვლის წესებში აღწერილი პროცედურებისა, უნდა შესრულდეს ავტორიზირებული სერვისის მუშაკის მიერ.

გაწმენდა

მოერიდეთ გამხსნელების გამოყენებას მოწყობილობის პლასტმასის ნაწილების გაწმენდისას. პლასტმასების უმეტესობა ადვილად ზიანდება მათზე გამხსნელების გამოყენების შედეგად. გამოიყენეთ სუფთა ტილო ჭუჭყის, მტვრის, ზეთის, ცხიმის და სხვათა მოსაცილებლად.

▲ გაფრთხილება: არცერთ შემთხვევაში არ მისცეთ საშუალება სატორმუზო სითხეს, ბენზინს, ნავთობის ბაზაზე დამზადებულ პროდუქტებს ან სხვა ძლიერ გამხსნელებს მოვიდნენ პლასტმასის ნაწილებთან კონტაქტში. ქიმიურმა ნაერთებმა შესაძლოა დააზიანოს, გავითოს და დაშალოს პლასტმასი, რამაც შეიძლება მოგაყენოთ სერიოზული პირადი ზიანი.

▲ გაფრთხილება: როდესაც წმენდთ პულვერიზატორს, არ მოათავსოთ წყალში ან სხვა სითხეში.

▲ გაფრთხილება: ყოველთვის შეინახეთ და განკარგეთ ქიმიკატები სწორად.

დაბინძურებული ნარეცხი წყლის განკარგვა უნდა განხორციელდეს ადგილობრივი განკარგულებებისა და კანონქვემდებარე აქტების შესაბამისად.

- თუ შესხურების შემდეგ ავზში დარჩა რაიმე სითხე, გაწმენდის წინ დაწრიტეთ ავზი.
- ყოველთვის გამოიყენეთ მხოლოდ რბილი, მშრალი ქსოვილი ავზის გარე ნაწილის გასაწმენდად; არასოდეს გამოიყენოთ სარეცხი საშუალება ან ალკოჰოლი.
- შეავსეთ ავზი დაახლოებით ერთი მესამედი სუფთა წყლით. შესხურეთ ავზის დაცლამდე. მიმართეთ საქმენი შესასხურებელი არისკენ, რომელიც არ დაზიანდება შესხურების ხსნარით.
- შეავსეთ და გაიმეორეთ პროცედურა სუფთა წყლით. შეიძლება დაგჭირდეთ ავზის გარეცხვა ერთზე მეტჯერ, შემდეგ ისევ დაწრიტა, როგორც ზემოთ არის მითითებული.
- მოწყობილობის ხელახლა აწყობამდე და შენახვამდე დაელოეთ ყველა ნაწილს მთლიანად გაშრობას.

საფრქვევის მოვლა

▲ გაფრთხილება: დარწმუნდით, რომ ყველა საფრქვევის მოვლა ხორციელდება სწორად, რათა თავიდან იქნას აცილებული წყლის გაჟონვა. წლის გაჟონვამ შეიძლება განაპირობოს მოლოპული ზედაპირი, რომელიც წარმოქმნის დაცემის საფრთხეს ან გამოიწვიოს ქონების დაზიანება.

არარეგულარულმა შეფრქვევამ ან სითხის გაჟონვამ შეიძლება გამოიწვიოს საქმენის გაჭედვა ან გაჭუჭყიანება.

1. გათიშეთ პულვერიზატორი და მოხსენით აკუმულატორი.

2. რეგულირებადი საქმენის გასასუფთავებლად (ნახ. 11):

- ა. გახსენით და მოხსენით რეგულირებადი საქმენის ამობურცული (ტექსტურირებული) ნაწილი.
- ბ. გაატარეთ თხელი მავთული (არ შედის) ჯვარედინ ხვრელეზში, რათა გაასუფთავოთ ნამსხვრევებისგან. საჭიროების შემთხვევაში, გამორცხეთ ჯვარედინი ხვრელეზი და საქმენები სუფთა წყლით.
- გ. გაწმინდეთ საქმენი სუფთა მშრალი

ქსოვილით და ხელახლა დაამონტაჟეთ საქმენი.

3. ვენტლატორისა და ქაფიანი საქმენის გასასუფთავებლად (ნახ. 12):

- ა. გახსენით და მოხსენით საქმენი შესასხურებლის ღეროდან.
- ბ. გაატარეთ თხელი მავთული (არ შედის) ხვრელეში, რათა გაასუფთავოთ ნამსხვრევებისგან. საჭიროების შემთხვევაში, გარეცხეთ საქმენი სუფთა წყლით.
- გ. გაწმინდეთ საქმენი სუფთა მშრალი ქსოვილით და ხელახლა დაამონტაჟეთ საქმენი.

ტრანსპორტირება და შენახვა (ნახ. 1.)

- მოხსენით აკუმულატორი.
- გადაატრიალეთ სიჩქარის ციფერბლატი გამორთვის მდგომარეობაში (წითელი წერტილი ციფერბლატზე მიმართულია შესხურების ღეროსკენ).
- პულვერიზატორი კარგად გაასუფთავეთ.
- დაცარიელეთ ავზი, შლანგი და შესასხურებელი ღერო.

გაფრთხილება: შენახვის წინ, განსაკუთრებით გამოზამთრებამდე, დაცალეთ ავზი, შლანგი და შესასხურებელი ღერო, რათა თავიდან აიცილოთ მოწყობილობის გაყინვა და დაზიანება, რის გამოც ის შეიძლება არ ამუშავდეს გამოზამთრების შემდეგ.

- დაამარეთ შესასხურებელი ღერო ძირზე და შენახვის სამაგრზე.

J-1	შესანახი სამაგრი	J-3	სატარებელი სახელური
J-2	ფუძე		

- ასწიეთ პულვერიზატორი სახელურით ან გადაიტანეთ დამჭერი მოწყობილობის გამოყენებით ტრანსპორტირებისას.
- შეინახეთ პულვერიზატორი შენობაში, კარგად ვენტლირებად ადგილას.
- მოაცილეთ კოროზიის გამომწვევი ნივთიერებები, როგორცაა სოფლის მეურნეობაში გამოყენებული ქიმიკატები და მოყინვის საწინააღმდეგო ტექნიკური მარილი.

KA

გარემოს დაცვა



არ მოათავსოთ ელექტრო
მოწყობილობა, ნახშიარი დამტენი
და აკუმულატორი
საყოფაცხოვრებო ნაგავში!



მიუტანეთ პროდუქტი
ნარჩენების ავტორიზირებულ
გადამამუშავებელს და
უზრუნველყავით ასეთი ნარჩენის
განცალკევებულად შეროვება.
ელექტრო ხელსაწყოები
უნდა ჩაბარდეს გარემოს
თვალსაზრისით თავსებად
ნარჩენების გადამამუშავებელ
ობიექტს.

KA

დეფექტების აღმოჩენა და გამოსწორება

პრობლემა	მიზეზი	გადაჭრის გზა
პულვერიზატორი არ ირთვება.	<ul style="list-style-type: none"> აკუმულატორის ბლოკი არ დევს აკუმულატორის ნაკვეთურში სრულად. პულვერიზატორსა და აკუმულატორს შორის არ არის ელექტრო კონტაქტი. აკუმულატორის ბლოკი დაცლილია. აკუმულატორი ან პულვერიზატორი ზედმეტად გაცხელებულია. 	<ul style="list-style-type: none"> შეამოწმეთ, თუ დევს აკუმულატორის ბლოკი სრულად აკუმულატორის ნაკვეთურში. მოხსენით აკუმულატორის ბლოკი, შეამოწმეთ კონტაქტები და კვლავ მოათავსეთ იგი უკან. დატენით აკუმულატორის ბლოკი. გამორთეთ პულვერიზატორი და აცალეთ აკუმულატორის ბლოკს ან პულვერიზატორს მუშაობისთვის დადგენილ ტემპერატურამდე გაცივება.
ძრავა მუშაობს, მაგრამ სითხე არ გამოდის საქმენიდან.	<ul style="list-style-type: none"> სითხის დაბალი დონე ავზში. საქმენი გაიჭედა მუშაობის დროს. 	<ul style="list-style-type: none"> შეამოწმეთ და დარწმუნდით, რომ ავზში საკმარისი სითხეა. გაასუფთავეთ საფრქვევ(ებ)ი „საფრქვევის მოვლის“ მითითებების შესაბამისად და ხელახლა ააწყეთ ისინი, როგორც ეს ინსტრუქციამია ნათქვამი.
სითხე ფონავს მართვის სახელურსა და ღეროს შორის.	<ul style="list-style-type: none"> ღეროს ბოლო ხუფი მოშვებულია. 	<ul style="list-style-type: none"> მოუჭირეთ ბოლო ხუფს.
სითხე ფონავს შესასხურებელ ღეროსა და საქმენს შორის.	<ul style="list-style-type: none"> საქმენი მოშვებულია ან არასწორადაა დამონტაჟებული. 	<ul style="list-style-type: none"> დაამონტაჟეთ საქმენი სწორად და მყარად „საქმენების მორგება და შეცვლა“ თავის მიხედვით.

გარანტია

EGO-ს საგარანტიო პოლიტიკა

გთხოვთ, ეწვიოთ ვებ-გვერდს egopowerplus.eu და სრულად გაეცნოთ EGO-ს საგარანტიო პოლიტიკის წესებს და პირობებს.

KA

PROČITAJTE SVA UPUTSTVA!



PROČITAJTE PRIRUČNIK ZA RUKOVAOCA

⚠ UPOZORENJE: Da bi se osigurala sigurnost i pouzdanost, sve popravke treba da radi kvalifikovani servisni tehničar.

⚠ UPOZORENJE: Obavezno pročitajte i shvatite sva sigurnosna uputstva u ovom Priručniku za rukovaoca, obuhvatajući i sve simbole sigurnosnih upozorenja poput „**OPASNOST**“, „**UPOZORENJE**“ i „**OPREZ**“ pre korišćenja ovog alata. Nepridržavanje svih dolenađenih uputstava može da dovede do strujnog udara, požara i/ili ozbiljne telesne povrede.

SAČUVAJTE SVA UPOZORENJA I UPUTSTVA ZA BUDUĆU REFERENCJU.

SIGURNOSNI SIMBOLI

⚠ UPOZORENJE: Rukovanje svakim električnim alatom može da dovede do izbacivanja stranih tela ka očima, što može da dovede do ozbiljnog oštećenja očju. Pre započinjanja rada sa električnim alatom, uvek stavite sigurnosne naočare sa bočnim štitnicima ili po potrebi masku za celo lice. Preporučujemo sigurnosnu masku Wide Vision za upotrebu preko naočara ili standardnih sigurnosnih naočara sa bočnim štitnicima.



Sigurnosno upozorenje



Da bi smanjio rizik od povreda, korisnik pre korišćenja ovog proizvoda mora pročitati i shvatiti priručnik za rukovaoca.



Nosite zaštitnu odeću.



Držite posmatračke podalje kad prskate.



Nosite štitnik za lice.



Ovaj proizvod je u skladu sa primenjivim EC direktivama.



Garantovani nivo zvučne snage. Emisija buke u okruženju prema Direktivi Evropske zajednice.



Ovaj proizvod je u skladu sa primenjivim zakonima UK.



Otpadne električne proizvode ne bi trebalo odlagati zajedno sa otpadom iz domaćinstva. Odnosite ih u ovlašćeni pogon za reciklažu.

IPX4

Zaštita od zapluskivanja vode



Jednosmerna struja

./min

U minuti

V

Napon

η_0

Brzina bez opterećenja

mm Milimetar

SR

OPŠTA SIGURNOSNA UPOZORENJA

⚠ UPOZORENJE: Pročitajte sva sigurnosna upozorenja, uputstva, ilustracije i specifikacije priložene uz ovu mašinu. Zanemari vanje uputstava navedenih u nastavku može da izazove strujni udar, požar i/ili teške povrede.

Sačuvajte sva upozorenja i sva uputstva za buduće potrebe.

Pojam „mašina“ u upozorenjima označava mašinu (sa žicom) koja se uključuje u utičnicu ili mašinu (bežičnu) na baterije.

BEZBEDNOST RADNOG PODRUČJA

- Održavajte radno područje čistim i dobro osvetljenim. Na pretrpanim ili mračnim područjima su veće šanse da dođe do nezgoda.
- Ne rukujte mašinama u eksplozivnim atmosferama, kao na primer u prisustvu zapaljivih tečnosti, gasova ili prašine. Mašine stvaraju varnice koje mogu zapaliti prašinu ili isparenja.
- Držite decu i posmatrača podalje dok rukujete mašinom. Ako vam nešto odvraća pažnju, možete izgubiti kontrolu.

ELEKTRIČNA BEZBEDNOST

- Utikač mašine mora odgovarati utičnici. Nikada ne modifikujete utikač ni na koji način. Ne koristite adapterske utikače sa uzemljenim mašinama. Nemodifikovani utikači i odgovarajuće utičnice umanjuje rizik od strujnog udara.
- Izbegavajte kontakt delova tela sa uzemljenim površinama, poput cevi, radijatora, šporeta i frižidera. Postoji povećan rizik od strujnog udara ako je vaše telo uzemljeno.
- Ne izlažite mašine kiši ili mokrim uslovima. Voda koja uđe u mašinu povećava rizik od strujnog udara.
- Nemojte zloupotrebljavati kabl. Nikad ne koristite kabl za nošenje, vučenje ili isključivanje mašine iz utičnice. Čuvajte kabl podalje od toplote, nafte, oštih ivica ili pokretnih delova. Oštećen ili upetljan kabl povećava rizik od strujnog udara.
- Kada rukujete mašinom na otvorenom prostoru, koristite produžni kabl pogodan za korišćenje na otvorenom prostoru. Upotreba kabla pogodnog za korišćenje na otvorenom prostoru smanjuje rizik od strujnog udara.
- Ako je rukovanje mašinom na vlažnom mestu neizbežno, koristite izvor napajanja sa zaštitnim uređajem diferencijalne struje (RCD). Korišćenje

RCD smanjuje rizik od strujnog udara.

LIČNA BEZBEDNOST

- Ostanite u pripravnosti, gledajte ono što radite i koristite zdrav razum kad rukujete mašinom. Ne koristite mašinu kad ste umorni ili pod uticajem droga, alkohola ili lekova. Trenutak nepažnje kad rukujete mašinama je dovoljan da izazove ozbiljne telesne povrede.
- Koristite ličnu zaštitnu opremu. Uvek nosite zaštitu za oči. Zaštitna oprema poput maske za prašinu, radnih cipela koje se ne klišu, šlema ili zaštite sluha će, kada se koristi za odgovarajuće uslove, smanjiti telesne povrede.
- Sprečite nehotično startovanje. Osigurajte da prekidač bude u isključenom položaju pre povezivanja na izvor napajanja i/ili bateriju, podizanja ili nošenja mašine. Nošenje mašina sa prstom na prekidaču ili uključivanje u utičnicu mašina čiji prekidač je u uključenom položaju priziva nezgode.
- Uklonite sve ključeve za podešavanje pre uključivanja mašine. Ključ koji ostane pričvršćen za rotacioni deo mašine može da izazove telesnu povredu.
- Ne presežite. U svakom trenutku održavajte pravilan položaj nogu i ravnotežu. To omogućava bolju kontrolu nad mašinom u neočekivanim situacijama.
- Prikladno se obucite. Nemojte da nosite široku odeću ili nakit. Kosu u odeću uvek držite dalje od delova koji se kreću. Delovi koji se kreću mogu da zahvate široku odeću, nakit ili dugu kosu.
- Ako su uređaji opremljeni priključkom za odvod i sakupljanje prašine, vodite računa da se pravilno spoje i upotrebljavaju. Upotreba kolektora prašine može da smanji opasnosti koje izaziva prašina.
- Ne dozvolite da zbog poznavanja koje ste stekli kroz čestu upotrebu mašina postanete samozadovoljni i ignorišete principe bezbednosti mašina. Nemarni postupak može da izazove ozbiljnu povredu u deliću sekunde.

KORIŠĆENJE I ODRŽAVANJE MAŠINE

- Ne silite mašinu. Koristite odgovarajuću mašinu za ono što radite. Odgovarajuća mašina uradiće posao bolje i bezbednije onom brzinom za koju je dizajnirana.
- Ne koristite mašinu ako prekidač ne može da je uključi i isključi. Svaka mašina koja se ne može kontrolisati prekidačem je opasna i mora se popraviti.
- Izvucite utikač iz izvora napajanja i/ili izvadite bateriju, ako je odvojiva, iz mašine pre bilo kakvog podešavanja, menjanja podataka ili skladištenja mašina. Takve preventivne sigurnosne mere smanjuju

rizik od nehotičnog pokretanja mašine.

- **Skladistište mašine koje se ne koriste van domašaja dece i ne dozvolite osobama koje nisu upoznate sa ovom mašinom ili ovim uputstvom da rukuju mašinom.** Mašine su opasne u rukama nekvalifikovanih korisnika.
- **Održavajte mašine i pribor. Proveravajte da li ima nepravilnog poravnjanja ili zaglavljivanja pokretnih delova, pucanja delova i svih drugih stanja koja mogu da utiču na rad mašine. Ako je mašina oštećena, odnesite je na popravku pre upotrebe.** Mnoge nezgode su izazvane loše održanim mašinama.
- **Održavajte alate koji seku oštrim i čistim.** Pravilno održavani alati za sečenje sa oštrim reznim ivicama manje se zaglavljuju i lakše ih je kontrolisati.
- **Koristite mašinu, dodatke, burgije itd. u skladu sa ovim uputstvom, uzimajući u obzir radne uslove i rad koji treba obaviti.** Korišćenje mašine za rad drugačiji od predviđenog moglo bi da dovede do opasne situacije.
- **Održavajte drške i površine koje hvatate suvim, čistim i bez ulja i masnoće.** Klizave drške i površine koje hvatate ne omogućavaju bezbedno rukovanje i kontrolu mašine u neočekivanim situacijama.

UPOTREBA I ODRŽAVANJE MAŠINA NA BATERIJE

- **Punite samo punjačem koji navodi proizvođač.** Punjač koji je prikladan za jedan tip baterije može da stvori opasnost od požara kad se koristi sa nekom drugom baterijom.
- **Koristite mašine samo sa konkretno imenovanim baterijama.** Upotreba bilo kakvih drugih akumulatora može da stvori rizik od povrede i požara.
- **Kad se baterija ne koristi, držite je dalje od drugih metalnih predmeta, poput spajalica, novčića, ključeva, eksera, vijaka ili drugih malih metalnih predmeta koji mogu da naprave spoj jednog terminala sa drugim.** Kratak spoj terminala baterije može da izazove opekotine ili požar.
- **U ekstremnim uslovima može doći do curenja tečnosti iz baterije; izbegavajte kontakt sa njom. Ako dođe do nehotičnog kontakta, isperite vodom. Ako tečnost dođe u kontakt sa očima, takođe potražite i medicinsku pomoć.** Tečnost iz baterije može da izazove iritaciju ili opekotine.
- **Ne koristite bateriju ili mašinu koje su oštećene ili modifikovane.** Oštećene ili modifikovane baterije mogu da ispolje nepredvidivo ponašanje, dovodeći do požara, eksplozije ili rizika od povrede.

SR

- **Ne izlažite bateriju ili mašinu vatri ili previsokoj temperaturi.** Izlaganje vatri ili temperaturi iznad 130 °C može izazvati eksploziju.
- **Pratite sva uputstva za punjenje i ne punite bateriju ili mašinu izvan temperaturnog opsega navedenog u uputstvima.** Punjenje na nepravilan način ili na temperaturama izvan navedenog opsega može da ošteti bateriju i poveća rizik od požara.

SERVIS

- **Odnosite mašinu na servisiranje kod kvalifikovanog servisera koji će koristiti samo identične rezervne delove.** To će osigurati da bezbednost mašine bude održana.
- **Nikad ne servisirajte oštećene baterije.** Servisiranje akumulatora treba da vrši samo proizvođač ili ovlašćeni servis.

SIGURNOSNA UPUTSTVA ZA BEŽIČNU PRSKALICU

⚠ OPASNOST: Rizik od požara ili eksplozije. Ne prskajte zapaljive tečnosti poput benzina.

⚠ UPOZORENJE:

- **Da biste izbegli povredu, uvek nosite zaštitu za oči, disanje i kožu.**
- **Da biste smanjili rizik od strujnog udara, ne izlažite kiši.**
- **Samo za upotrebu u domaćinstvu i na otvorenom prostoru.**
- **Ne prskajte zapaljive tečnosti u malom zatvorenom prostoru.** Kad se prska zapaljiva tečnost, postoji opasnost od požara ili eksplozije, pogotovo u malom zatvorenom prostoru.
- **Područje prskanja mora da bude dobro provetreno.**
- **Ne pušite dok prskate i ne prskajte tamo gde su prisutne varnice ili plamen.**
- **Pre punjenja rezervoara uvek izvadite akumulator. Obrišite ono što se prosulo pre umetanja akumulatora.** Poštovanje ovog pravila će smanjiti rizik od strujnog udara i od ulaska korozivnih tečnosti u akumulator, što može da izazove kvar akumulatora, obuhvatajući kratak spoj, koji rezultuje dimom, požarom i/ili ozbiljnom telesnom povredom.
- **Ne dozvolite da provodničke ili korozivne tečnosti uđu u akumulator.** Ako se provodničke ili korozivne tečnosti prosnu na akumulator, pogledajte uputstva u

priručniku za rukovaoca za akumulator.


- **Pre korišćenja materijala za prskanje u ovoj prskalici, temeljno pročitajte etiketu na originalnoj posudi materijala i pratite uputstva sa nje.** Neki materijali za prskanje su opasni i ne bi trebalo da se koriste u ovoj prskalici jer mogu da oštete prskalicu i izazovu ozbiljnu telesnu povredu ili imovinsku štetu.
- **Treba da znate sadržaj hemikalije koju prskate.** Pročitajte sve listove sigurnosnih podataka (SDS) i etikete na posudi koje su priložene uz hemikaliju. Pratite sigurnosna uputstva proizvođača hemikalije.
- **Opasnost od strujnog udara.** Nikad ne prskajte prema strujnim utičnicama.
- **Ne sipajte vruće ili ključale tečnosti u rezervoar.** One mogu da oslabe ili oštete cevi ili rezervoar.
- **Izbegavajte prskanje po vetrovitim danima.** Sprej može nehotično biti oduvan na biljke ili predmete koje ne bi trebalo prskati.
- **Čuvajte prskalicu na bezbednom, dobro provetrenom mestu u zatvorenom prostoru sa praznim rezervoarom za tečnost.**
- **Ne prskajte izbeljivač ili vodonik-peroksid.**
- **Ne prskajte hemikalije na bazi alkohola.**
- **Ne prskajte praškove ili abrazivne hemikalije.**
- **Ne prskajte kaustične (alkalne) ili samozagrevajuće tečnosti.**
- **Ne koristite hemikalije opasne po okruženje koje nisu dozvoljene prema definiciji lokalnih propisa.**
- **Ne usmeravajte mlaznicu prskalice u smeru ljudi ili kućnih ljubimaca.**
- **Nikad ne dozvolite deci, osobama sa smanjenim fizičkim, senzornim ili mentalnim sposobnostima ili nedostatkom iskustva i znanja ili osobama koje nisu upoznate sa ovim uputstvom da koriste mašinu.**
- **Rukovalac ili korisnik je odgovoran za nezgode ili opasnosti po druge ljude ili njihovu imovinu.**
- **Prskalica treba da se koristi samo sa proizvodima za zaštitu biljaka koje su odobrili lokalni/nacionalni regulatorni organi za proizvode za zaštitu biljaka za upotrebu sa ranac prskalicama.**
- **Rizik od ubrizgavanja.** Ne ispuštajte direktno na kožu. Držite sve delove tela van domašaja spreja.
- **Ne ostavljajte ostatak ili materijal prskanja u rezervoaru nakon korišćenja prskalice.** Očistite posle svake upotrebe.
- **Da biste smanjili rizik od požara ili eksplozije, koristite tečnost sa tačkom paljenja većom od 60 °C.**

- **Da biste smanjili rizik od strujnog udara, ne stavljajte prskalicu u vodu ili neku drugu tečnost.** Ne stavljajte i ne skladištite prskalicu na mestu sa kog može da padne ili da bude svučena u kadu ili umivaonik.
- **Održavajte ovaj proizvod. Temeljno pregledajte i unutrašnjost i spoljašnjost prskalice i ispitajte komponente pre svake upotrebe.** Proverite da li je rezervoar napukao i propao, da li curi, da li su mlaznice zapušene i da li delovi nedostaju ili su oštećeni. **Ako je proizvod oštećen, odnesite ga na popravku pre upotrebe.** Mnoge nezgode su izazvane loše održanim proizvodima.
- **Stavite prekidač napajanja u isključeni položaj kad prskalica nije u upotrebi i pre servisiranja ili čišćenja.**
- **Odvojite bateriju od jedinice pre dreniranja, čišćenja ili skladištenja prskalice.** Takve preventivne sigurnosne mere smanjuju rizik od nehotičnog startovanja.
- **Uvek nosite zaštitu za oči sa bočnim štitnicama ili zaštitne naočare.** Nepostupanje u skladu sa tim moglo bi da rezultuje laskom tečnosti u oči, što rezultuje mogućim teškim povredama.
- **Zaštitite pluća.** Nosite odobrenu sigurnosnu opremu poput maski za lice koje su specijalno dizajnirane da filtriraju sprej, rukavica i druge odgovarajuće zaštitne opreme. Poštovanje ovog pravila će smanjiti rizik od ozbiljne telesne povrede. Pratite sigurnosna uputstva proizvođača hemikalije i smernice navedene u SDS listu.
- **Hemikalije i isparenja hemikalija mogu da budu opasna i izazovu ozbiljnu povredu, trajno oštećenje ili smrt ako se progutaju, udahnu ili prsnu u oči ili na kožu.** Pratite sigurnosna uputstva proizvođača hemikalije i smernice navedene u SDS listu.
- **Da bi se smanjio rizik od povrede, neophodan je pomni nadzor kad se prskalica koristi u blizini dece.**
- **Ne dodirujte pokretne delove.**
- **Koristite samo dodatke koje preporučuje ili prodaje proizvođač.**
- **Sprečite nehotično startovanje.** Osigurajte da prekidač bude u isključenom položaju pre povezivanja na akumulator, podizanja ili nošenja aparata. Nošenje aparata sa prstom na prekidaču ili stavljanje pod napon aparata čiji prekidač je u uključenom položaju priziva nezgode.

SAČUVAJTE OVO UPUTSTVO

SR

SPECIFIKACIJE

Nazivna voltaža	56 V 
Maks. Kapacitet rezervoara	15 L
Maks. Radni pritisak	24 bara
Maks. Stopa protoka prskanja (sa podesivom mlaznicom, režim spreja)	2,3 L/min
Prečnik ulaznog filtera	35 mm
Veličina mrežice ulaznog filtera	0,35 mm
Prečnik izlaznog filtera	124 mm
Težina (suva težina, bez akumulatora)	7,6 kg
Preporučena radna temperatura	Od +5 do +40 °C
Preporučena temperatura skladištenja	Od -20 do +70 °C
Preporučena temperatura punjenja	Od +5 do +40 °C

⚠ UPOZORENJE: Pre korišćenja ranac prskalice, obavezno proverite da li njena ukupna težina, obuhvatajući mašinu, tečnost u rezervoaru, mlaznicu i akumulator, ne prelazi 25 kg, da biste izbegli povredu i gubitak ravnoteže.

- Deklarisana ukupna vrednost vibracije je izmerena u skladu sa standardnim metodom testiranja i može se koristiti za upoređivanje jednog alata sa drugim;
- Deklarisana ukupna vrednost vibracije može se koristiti i u preliminarnoj proceni izlaganja.

OBAVEŠTENJE: Emisija vibracija tokom stvarne upotrebe električnog alata može da se razlikuje od deklarisanе vrednosti u kojoj se alat koristi. Da bi se rukovalac zaštitio, korisnik bi trebalo da nosi rukavice i štitnike za uši u stvarnim uslovima korišćenja.

POPIS PAKOVANJA (SLIKA A1)

SR

OPIS

UPOZNAJTE SVOJU PRSKALICU (SLIKA A1)

316

56 VOLTI LITIJUM-JONSKA BEŽIČNA RANAC PRSKALICA — BSP3500E

1. Crevo
2. Odeljak za bateriju
3. Rezervoar
4. Kapica rezervoara
5. Drška za nošenje
6. Podesivi potporni remeni
7. Dugme za brzinu
8. Poluga za zaključavanje
9. Okidač ON/OFF
10. Kontrolna ručica
11. Krajnja kapica
12. Štap za prskanje
13. Podesiva mlaznica
14. Lepezasta mlaznica
15. Penasta mlaznica
16. Tuš mlaznica

SKLAPANJE

⚠ UPOZORENJE: Ako su neki delovi oštećeni ili nedostaju, nemojte koristiti ovaj proizvod dok delovi ne budu zamenjeni. Korišćenje ovog proizvoda sa oštećenim ili nedostajućim delovima može dovesti do ozbiljnih telesnih povreda.

⚠ UPOZORENJE: Ne pokušavajte da modifikujete ovaj proizvod ili da pravite dodatke koji nisu preporučeni za korišćenje sa ovim proizvodom. Svaka takva promena ili modifikacija je zloupotreba i može dovesti do opasnih uslova koji mogu da dovedu do ozbiljnih telesnih povreda.

⚠ UPOZORENJE: Da biste sprečili nehotično startovanje koje bi moglo da izazove ozbiljnu telesnu povredu, uvek izvadite akumulator iz mašine kad sklapate delove, vršite podešavanja, čistite ili kad proizvod nije u upotrebi.

- Ovaj proizvod zahteva sklapanje.
- Pažljivo izvadite proizvod i eventualne dodatke iz kutije. Proverite da li su sve stavke prikazane u „**Popisu pakovanja**“ priložene.
- Pažljivo pregledajte proizvod da biste osigurali da nije došlo do lomljenja ili oštećenja tokom transporta.
- Ne bacajte ambalažu dok ne budete pažljivo pregledali proizvod i rukovali njime na zadovoljavajući način.
- Ako su neki delovi oštećeni ili nedostaju, vratite proizvod na mesto kupovine.

POVEZIVANJE ŠTAPA ZA PRSKANJE NA KONTROLNU DRŠKU

1. Navrnite krajnju kapicu štapa za prskanje na kontrolnu dršku i čvrsto zategnite u smeru kazaljke na satu (slika B).
2. Povucite štاپ za prskanje da biste proverili da li je pravilno pričvršćen.

RUKOVANJE

⚠ UPOZORENJE: Nemojte dozvoliti da vas poznavanje ovog proizvoda učini nemarnim. Imajte na umu da je za nanošenje teških povreda dovoljan samo delić sekunde nepažnje.

⚠ UPOZORENJE: Koristite sigurnosnu opremu. Zaštitite oči, kožu i pluća dok mešate, sipate, prskate i čistite. Nepridržavanje toga može da rezultuje ozbiljnom telesnom povredom i imovinskom štetom.

⚠ UPOZORENJE: Da biste sprečili ozbiljnu telesnu povredu, izvadite akumulator iz aparata pre servisiranja, čišćenja, menjanja dodataka, punjenja ili pražnjenja rezervoara.

⚠ UPOZORENJE: Ne koristite nikakve dodatke ili pribor koje nije preporučio proizvođač ovog proizvoda. Upotreba nepreporučenih dodataka ili pribora može da rezultira teškim telesnim povredama.

Pre svake upotrebe pregledajte čitav proizvod radi oštećenih, nedostajućih ili labavih delova poput vijaka, navrtnja, zavrtnja, kapica itd. Čvrsto zategnite sve spojeve i kapice i ne rukujte ovih proizvodom dok svi nedostajući ili oštećeni delovi ne budu zamenjeni.

PREDVIĐENA UPOTREBA

Možete koristiti ovaj proizvod za svrhe navedene ispod:

- Prskanje đubriva i zalivanje biljaka.
- Prskanje herbicida, pesticida i fungicida.

OBAVEŠTENJE: Proizvod je dizajniran samo za upotrebu u hortikulturi i agrikulturni.

OBAVEŠTENJE: Proizvod treba koristiti samo za propisane svrhe. Svaka druga upotreba smatra se slučajem zloupotrebe.

⚠ UPOZORENJE: Nepravilna primena hemikalija ili rastvora može da rezultuje TEŠKOM POVREDOM

ili SMRČU. Pratite sigurnosna uputstva proizvođača hemikalije i smernice navedene u SDS listu.

PUNJENJE REZERVOARA (slika C)

⚠ UPOZORENJE: Uvek pratite uputstva proizvođača hemikalije odštampana na etiketi proizvoda za upotrebu, čišćenje i skladištenje. Ne kombinujte hemikalije. Temeljno očistite rezervoar nakon svake upotrebe, prateći uputstva u odeljku „ODRŽAVANJE“ u ovom priručniku. Hemikalije treba da se čuvaju van domašaja dece. Nepridržavanje toga može da rezultuje ozbiljnom telesnom povredom.

⚠ UPOZORENJE: Da biste izbegli povredu i gubitak ravnoteže, vodite računa da količina tečnosti sipane u rezervoar ne poveća ukupnu težinu prskalice, obuhvatajući mašinu, tečnost u rezervoaru, mlaznicu, i akumulator, na više od 25 kg.

Tečne hemikalije koje ćete prskati moraju da budu retke kao voda. Gušće tečnosti se neće pravilno prskati. Ne prepunjavajte rezervoar.

1. Izvadite akumulator.
2. Odvrnite kapicu rezervoara suprotno kazaljki na satu i skinite je sa rezervoara.
3. Postavite prskalicu uspravno na horizontalnu površinu.
4. Sipajte željenu količinu vode u rezervoar.
5. Izmerite preporučenu količinu tečne hemikalije.
6. Pažljivo sipajte tečnu hemikaliju u rezervoar.
7. Zavrnite kapicu rezervoara nazad na prskalicu, vodeći računa da bude čvrsto zategnuta.

Rastvori za prskanje mogu da se prethodno izmešaju i sipaju u prskalicu.

OBAVEŠTENJE: Ako koristite memu posudu za držanje tečnosti, obavezno temeljno očistite i isperite posudu nakon upotrebe. Ako prethodno mešate rastvor za prskanje, isperite posudu koju ste koristili za mešanje.

OBAVEŠTENJE: Važno je da temeljno očistite prskalicu nakon svake upotrebe. Ostavljanje tečnosti da stoji u prskalici koja se ne koristi tokom dužeg vremenskog perioda može da izazove zaglavljivanje pokretnih delova i konektora.

SPAJANJE/ODVAJANJE BATERIJE

Upotrebljavajte samo baterije i punjače proizvođača EGO navedene na slici A2.

Pogledajte odgovarajuće priručnike za bateriju i punjač radi više detalja.

SR

Potpuno napunite pre prve upotrebe.

1. Podignite poklopac odeljka za baterije tako što ćete podići prednji deo poklopca (slika D1).
2. **Za pričvršćivanje**, poravnajte rebra baterije sa prerezima za montiranje u jednom odeljku i pritisnite bateriju nadole dok ne čujete „škljoc“ (Slika D1).
3. **Za odvajanje**, pritisnite dugme za oslobađanje baterije i izvucite bateriju (slika D2).
4. Zatvorite poklopac odeljka za baterije.

⚠ UPOZORENJE: Uvek vodite računa o položaju svojih stopala, dece ili kućnih ljubimaca kad pritisnete dugme za otključavanje baterije. Može doći do ozbiljnih povreda ako baterija ispadne. NIKAD ne vadite bateriju na visokom mestu.

⚠ UPOZORENJE: Vodite računa da reza na prskalici škljocne na svoje mesto, da akumulator bude pričvršćen na prskalicu i da poklopac odeljka za bateriju bude potpuno zatvoren pre početka rada. Ako baterija nije čvrsto smeštena, to bi moglo da izazove njeno ispadanje, dovodeći do ozbiljne telesne povrede.

⚠ UPOZORENJE: Da biste izbegli ozbiljnu telesnu povredu, uvek izvadite bateriju i držite ruke dalje od kontrolne drške kad nosite ili transportujete prskalicu.

POZICIONIRANJE RANAC PRSKALICE

⚠ UPOZORENJE: Obucite se prikladno da biste smanjili rizik od povrede dok koristite ovaj aparat. Nemojte nositi široku odeću ili nakit. Nosite zaštitu za oči. Nosite duge radne pantalone, duboke cipele i rukavice. Ne nosite kratke pantalone, sandale, papuče i ne radite bosim.

Pre korišćenja ranac prskalice, osigurajte da rukovalac nosi zaštitu za oči i prikladnu odeću i da može da održava bezbedno i uravnoteženo uporište nogu.

Za podešavanje potpornih remena

1. Stavite ruke kroz remene ranca da biste stavili prskalicu na leđa.
2. Privremeno podesite oba remena za ramena u udoban položaj (slika E1), vodeći računa da vam bude udobno za lakat.
3. Zakopčajte kopču na grudima i podesite dužinu remena na grudima ako je neophodno (slika E2).
4. Zakopčajte kopču na struku i podesite dužinu remena na struku tako da vam ranac bude čvrsto oslonjen na kukove (slika E3 i E4).

NAPOMENA: Ranac ne bi trebalo da vam bude previsoko na leđima; treba da bude namešten bliže kukovima nego ramenima.

⚠ UPOZORENJE: Kad dođe do hitnog slučaja, odmah oslobodite kopče na grudima i struku da biste skinuli remene ranca sa obe strane. To je metod brzog oslobađanja.

5. Ponovo podesite remena za ramena radi bezbednosti i udobnosti. Vodite računa da vam ranac stoji čvrsto na leđima, sa težinom oslonjenom na remen oko struka i bez prekomernih pokreta kad se pomerate (Slika E5).
6. Umetnite eventualni višak dužine remena oko struka u lastiš sa obe strane (slika E6).
7. Da biste skinuli ranac sa leđa, samo pritisnite kopče oko struka i na grudima da biste ih otkopčali i skinuli prskalicu (slika E7).

STARTOVANJE/STOPIRANJE PRSKALICE (SLIKA F)

Dugme za brzinu

1. Da biste povećali stopu protoka, okrenite dugme za brzinu u smeru kazaljke na satu.

F-1	Dugme za brzinu	F-3	Okidač ON/OFF
F-2	Poluga za zaključavanje		

2. Da biste smanjili stopu protoka, okrenite dugme za brzinu suprotno kazaljki na satu.
3. Prskalica će stopirati ako nastavite da okrećete dugme do položaja „OFF“.

⚠ UPOZORENJE: Da biste sprečili nehотиčno startovanje, okrenite dugme za brzinu u isključeni položaj (crvena tačka na dugmetu pokazuje ka štapu za prskanje).

⚠ UPOZORENJE: Pre skladištenja mašine, ostavljanja na duže vreme ili menjanja akumulatora, uvek okrenite dugme za brzinu u isključeni položaj (crvena tačka na dugmetu pokazuje ka štapu za prskanje).

Okidač ON/OFF

1. Pritisnite okidač ON/OFF da biste uključili prskalicu.
2. Pustite okidač da biste stopirali protok.

Poluga za zaključavanje

Poluga za zaključavanje je praktična kad prskate tokom

dužeg vremenskog perioda ili kad pokrivete veliku površinu.

1. Da biste zaključali okidač ON/OFF u uključenom položaju, pritisnite polugu za zaključavanje nakon stiskanja okidača.
2. Da biste oslobodili okidač ON/OFF, povucite polugu za zaključavanje.

OPREZ: Vodite računa da okidač ne bude zaključan pre umetanja akumulatora u prskalicu.

PODEŠAVANJE I MENJANJE MLAZNICA

⚠ UPOZORENJE: Da biste sprečili ozbiljnu telesnu povredu, izvadite akumulator pre podešavanja ili menjanja mlaznica.

Prskalica se isporučuje sa četiri mlaznice: Podesiva mlaznica, lepezasta mlaznica, tuš mlaznica i penasta mlaznica. Promenite mlaznicu pre no što počnete da radite tako da odgovara onome što ćete raditi.

Podesiva mlaznica (slika G1): Tačkasto prskanje cvetnih leja, staza, prilaza, terasa i oko drveća i grmlja. Ivičenje duž ograda, prilaza i staza. Uništavanje žbunja.

Lepezasta mlaznica (slika G3): Pljosnati sprej za veoma široko pokrivanje i tečnosti veće viskoznosti. Priprema velikih površina za sadenje.

G-1	Lepezasta mlaznica	G-3	Penasta mlaznica
G-2	Tuš mlaznica		

Tuš mlaznica (slika G3): Izbacuje veći protok vode za zalivanje i tretiranje biljaka.

Penasta mlaznica (slika G3): Vidljivo označava tretirani korov. Tačkasto prskanje korova na travnjaku, oko cvetnih leja, drveća i grmlja. Ivičenje duž ograda, prilaza i staza.

Podesiva mlaznica može da se podesi između mlaza i spreja (slika G1).

1. Okrenite nazubljene (teksturirane) deo mlaznice suprotno kazaljki na satu za mlaz.
2. Okrenite nazubljene (teksturirane) deo mlaznice u smeru kazaljke na satu za sprej.

Odvrnite celu mlaznicu suprotno kazaljki na satu da biste skinuli i promenili mlaznicu (slika G2).

Stopa protoka različitih mlaznica koje se isporučuju sa prskalicom:

	Nominalna stopa protoka (L/min)	Maksimalni radni pritisak (L/min)	Optimalni radni pritisak (L/min)
Podesiva mlaznica	2,3	2,7	2,4
Lepezasta mlaznica	2,3	2,7	2,4
Tuš mlaznica	2,3	2,9	2,7
Penasta mlaznica	2,3	2,7	2,4

PRSKANJE HEMIKALIJA U DOMAĆINSTVU I BAŠTI (slika H)

⚠ UPOZORENJE: Nikad ne usmeravajte mlaznicu štapa ka sebi ili drugima.

⚠ UPOZORENJE: Nikad ne pušite, jedite ili pijte dok rukujete prskalicom.

⚠ UPOZORENJE: Nikad ne prskajte u smeru ljudi ili životinja; uvek prskajte niz vetar.

⚠ UPOZORENJE: Rizik od požara ili eksplozije. Područje prskanja mora da bude dobro provetreno i dalje od varnica ili plamena.

1. Instalirajte bateriju.
2. Okrenite dugme za brzinu da biste postavili željenu stopu protoka.
3. Usmerite mlaznicu prskalice direktno na biljke ili predmete koje želite da poprskate.

NAPOMENA: Vodite računa da stojite dovoljno daleko od predmeta koji prskate da sprečite da se sprej odbija nazad na vas.

4. Pritisnite okidač da biste startovali prskalicu.
5. Pustite okidač da biste stopirali prskalicu.
6. Uvek drenirajte i očistite rezervoar nakon svake upotrebe prema uputstvu u odeljku „ODRŽAVANJE“.

SAVETI ZA RUKOVANJE

- Podesite remene za ramena tako da vam prskalica stoji iznad struka a rezervoar vam je tesno uz leđa.
- Izbegavajte prskanje po vetrovitim danima. Sprej može

nehotično biti oduvan na biljke ili predmete koje ne bi trebalo prskati.

- Prskajte rano ujutro ili kasno popodne, naročito po toplijem vremenu. Zbog prekomerne toplote sprej može da ispari pre no što se spusti.

ODRŽAVANJE

⚠ UPOZORENJE: Tokom servisiranja, koristite samo identične rezervne delove. Upotreba bilo kakvih drugih delova može da dovede do opasnosti ili da izazove oštećenje proizvoda. Da bi se osigurala sigurnost i pouzdanost, sve popravke treba da radi kvalifikovani servisni tehničar.

⚠ UPOZORENJE: Da biste izbegli ozbiljnu telesnu povredu, izvadite akumulator iz prskalice pre servisiranja, čišćenja, menjanja mlaznica, vršenja održavanja ili kad prskalica nije u upotrebi. Prskalica na baterije u koju je umetnuta baterija je uvek uključena i može nehotično da startuje.

OPŠTE ODRŽAVANJE

Svo servisiranje prskalice, osim stavki navedenih u ovom uputstvu za održavanje, treba da radi kvalifikovani servisni tehničar.

ČIŠĆENJE

Izbegavajte korišćenje rastvarača kada čistite plastične delove. Većina plastike je podložna oštećenjima od raznih tipova komercijalnih rastvarača i može se oštetiti njihovom upotrebom. Koristite čistu krpu da uklonite zemlju, prašinu, ulje, masnoću itd.

⚠ UPOZORENJE: Nemojte ni u kom trenutku dozvoliti da kožiona tečnost, benzin, proizvodi na bazi benzina, penetraciono ulje itd. dođu u kontakt sa plastičnim delovima. Hemikalije mogu da oštete, oslabe ili unište plastiku, što može da dovede do ozbiljne telesne povrede.

⚠ UPOZORENJE: Kad čistite prskalicu, NE potapajte je u vodu ili druge tečnosti.

⚠ UPOZORENJE: Hemikalije uvek pravilno skladištite i odlazite na otpad. Odlaganje na otpad kontaminirane vode od ispiranja treba da se vrši prema lokalnim pravilnicima i uredbama.

SR

- Ako u rezervoaru ostane tečnosti nakon prskanja, drenirajte rezervoar pre čišćenja.
- Uvek koristite samo meku, suhu krpu za čišćenje

spoljašnjosti rezervoara; nikad ne koristite deterdžent ili alkohol.

- Sipajte čistu vodu u rezervoar do oko jedne trećine ukupne zapremine. Prskajte dok se rezervoar ne bude ispraznio. Vodite računa da usmerite sprej prema području koje neće biti oštećeno rastvorom za prskanje.
- Ponovo sipajte čistu vodu i ponovite proceduru. Možda će biti neophodno da isperete rezervoar više puta; zatim ponovo drenirajte prema uputstvu iznad.
- Ostavite sve delove da se potpuno osuše pre ponovnog sklapanja i skladištenja jedinice.

ODRŽAVANJE MLAZNICA

⚠ UPOZORENJE: Osigurajte da se svo održavanje mlaznica obavlja pravilno, da bi se sprečilo curenje vode. Curenje može rezultirati klizavom površinom stvarajući opasnost od klizanja i pada ili uzrokovati oštećenje imovine.

Nepravilni oblici spreja ili curenje mogu da budu posledica začepljene ili prljave mlaznice.

1. Isključite prskalicu i izvadite bateriju.
2. **Za čišćenje podesive mlaznice (slika I1):**
 - a. Odmrinite i skinite nazubljeni (teksturirani) deo podesive mlaznice.
 - b. Gurnite tanku žicu (nije priložena) kroz unakrsne rupice da biste očistili prljavštinu. Ako bude neophodno, isperite unakrsne rupice i mlaznicu čistom vodom.
 - c. Obrišite mlaznicu čistom, suvom krpom i ponovo instalirajte mlaznicu.
3. **Za čišćenje lepezaste i penaste mlaznice (slika I2):**
 - a. Odmrinite i skinite mlaznicu sa štapu za prskanje.
 - b. Gurnite tanku žicu (nije priložena) kroz rupicu da biste očistili prljavštinu. Ako bude neophodno, isperite mlaznicu čistom vodom.
 - c. Obrišite mlaznicu čistom, suvom krpom i ponovo instalirajte mlaznicu.

TRANSPORTOVANJE I SKLADIŠTENJE (slika J)

- Izvadite akumulator.
- Okrenite dugme za brzinu u isključeni položaj (crvena tačka na dugmetu pokazuje ka štapu za prskanje).
- Temeljno očistite prskalicu.
- Ispraznite rezervoar, crevo i štap za prskanje.

OBAVEŠTENJE: Pre skladištenja, naročito pre pripreme za zimu, obavezno ispraznite rezervoar, crevo i štap za prskanje da biste sprečili zamrzavanje i oštećenje mašine,

što će izazvati da neće da startuje nakon zime.

- Učvrstite štap za prskanje u bazu i kopču za skladištenje.

J-1	Kopča za skladištenje	J-3	Drška za nošenje
J-2	Osnova		

- Podižite prskalicu za dršku za nošenje ili je nosite pomoću potpornih remena kad je transportujete.
- Skladištite prskalicu u zatvorenom prostoru, na dobro provetrenom mestu.
- Držite dalje od korozivnih sredstava poput baštenskih hemikalija i soli za odmrzavanje.

Zaštita životne sredine



Ne odlažite električnu opremu, potrošene baterije i punjače u kućni otpad!

Odnesite ovaj proizvod u ovlašćeni pogon za reciklažu ili ga odvojite od ostalog smeća radi zasebnog prikupljanja.

Električni alati moraju se odneti u ekološki prihvatljiv pogon za reciklažu.

REŠAVANJE PROBLEMA

PROBLEM	UZROK	REŠENJE
Prskalica neće da startuje.	<ul style="list-style-type: none"> ■ Baterija nije potpuno umetnuta u odeljak za bateriju. ■ Nema električnog kontakta između prskalice i baterije. ■ Punjenje baterije je potrošeno. ■ Baterija ili prskalica su prevruće. 	<ul style="list-style-type: none"> ■ Proverite da li je baterija potpuno umetnuta u odeljak za bateriju. ■ Izvadite akumulator, proverite kontakte i ponovo instalirajte akumulator. ■ Napunite bateriju. ■ Isključite prskalicu i ostavite bateriju ili prskalicu da se hlade dok temperatura ne padne u preporučeni opseg radne temperature.
Motor radi ali sprej ne izlazi iz mlaznice.	<ul style="list-style-type: none"> ■ Nizak nivo tečnosti u rezervoaru. ■ Mlaznica se zapušila tokom rada. 	<ul style="list-style-type: none"> ■ Proverite da li ima dovoljno tečnosti u rezervoaru. ■ Očistite mlaznice prema poglavlju „ODRŽAVANJE MLAZNICA“ i ponovo sklopite prema uputstvu.
Tečnost curi između kontrolne drške i štapa.	<ul style="list-style-type: none"> ■ Krajnja kapica na štapu je labava. 	<ul style="list-style-type: none"> ■ Zategnite krajnju kapicu.
Tečnost curi između štapa za prskanje i mlaznice.	<ul style="list-style-type: none"> ■ Mlaznica je labava ili nepravilno instalirana. 	<ul style="list-style-type: none"> ■ Ponovo pravilno i čvrsto instalirajte mlaznicu prema poglavlju „PODEŠAVANJE I MENJANJE MLAZNICA“.

GARANCIJA

EGO POLITIKA GARANCIJE

Posetite veb-sajt egopowerplus.eu za kompletne uslove i odredbe EGO garantne politike.

PROČITAJTE UPUTSTVO U CIJELOSTI!



PROČITAJTE KORISNIČKI PRIRUČNIK

⚠ UPOZORENJE! Radi osiguranja sigurnosti i pouzdanosti, sve popravke treba obavljati kvalifikovani servisni tehničar.

⚠ UPOZORENJE! Prije upotrebe ovog alata pobrinite se da sva sigurnosna uputstva u ovom korisničkom priručniku, uključujući sve sigurnosne simbole kao što su "OPASNOST" "UPOZORENJE" i "OPREZ" pročitate s razumijevanjem. Zanemarivanje svih uputstava navedenih u nastavku može rezultirati strujnim udarom, požarom i/ili teškim tjelesnim povredama.

SAČUVAJTE SVA UPOZORENJA I UPUTSTVA ZA BUDUĆE POTREBE.

SIGURNOSNI SIMBOLI

⚠ UPOZORENJE! Rukovanje električnim alatima može rezultirati odbacivanjem stranih predmeta u oči, što opet može izazvati teška oštećenja očiju. Prije početka rukovanja električnim alatom, uvijek nosite zatvorene zaštitne naočale ili zaštitne naočale s bočnim štitnicima, a prema potrebi i štitnik za cijelo lice. Preporučujemo nošenje sigurnosne maske proizvođača Wide Vision preko naočala ili nošenje standardnih zaštitnih naočala s bočnim štitnicima.



Simbol upozorenja



Radi smanjenja rizika od povreda, prije upotrebe ovog proizvoda korisnik treba s razumijevanjem pročitati ovaj korisnički priručnik.



Nosite zaštitnu odjeću.



Prilikom prskanja držite prisutne osobe na udaljenosti.



Nosite štitnik za lice.



Ovaj proizvod je u skladu s primjenjivim direktivama EU.



Zagarantovani nivo zvučne snage. Emisija buke u okruženju u skladu je s Direktivom Evropske unije.



Ovaj proizvod je u skladu s važećim zakonodavstvom Velike Britanije.



Otpadni električni proizvodi ne smiju se odlagati s otpadom iz domaćinstva. Odnosite ih u ovlašteni centar za reciklažu.

IPX4

Zaštita od prskanja vode



Istosmjerna struja

./min.

U minuti

V

Napon

n_0

Brzina vrtnje bez opterećenja

mm

Milimetar

BS

OPĆA SIGURNOSNA UPOZORENJA

⚠ UPOZORENJE! Pročitajte sva sigurnosna upozorenja, uputstva, sve ilustracije i specifikacije isporučene s ovom mašinom. Zanemarivanje svih uputstava navedenih u nastavku može rezultirati strujnim udarom, požarom i/ili teškim povredama.

Sačuvajte sva upozorenja i uputstva za buduće potrebe.

Pojam "mašina" u upozorenjima odnosi se na vašu mašinu na strujni pogon (s kablom) ili mašinu na baterijski pogon (bez kabela).

SIGURNOST RADNOG PODRUČJA

- Radno područje održavajte čistim i dobro osvijetljenim. Pretrpana ili mračna područja izazivaju nesreće.
- Mašine nemojte upotrebljavati u eksplozivnim atmosferama, kao na primjer u prisutnosti zapaljivih tekućina, plinova ili prašine. Mašine stvaraju iskre koje mogu zapaliti prašinu ili isparenja.
- Djecu i druge prisutne osobe držite podalje tokom rada mašine. Ometanja mogu rezultirati gubitkom kontrole nad mašinom.

ELEKTRIČNA SIGURNOST

- Utikači mašine moraju odgovarati utičnici. Nemojte modifikovati utikač ni na koji način. Nemojte upotrebljavati utikače adaptera s uzemljenim mašinama. Nemodifikovani utikači i odgovarajuće utičnice umanjit će rizik od strujnog udara.
- Izbjegavajte kontakt tijela s uzemljenim površinama, kao što su slavine, radijatori, peći i frižideri. Postoji povećan rizik od strujnog udara ako je vaše tijelo uzemljeno.
- Nemojte izlagati mašine kiši ili mokrim uslovima. Prodiranjem vode u mašinu povećat će se opasnost od strujnog udara.
- Nemojte nepropisno upotrebljavati kabel. Kabel nemojte nikada upotrebljavati za nošenje, povlačenje ili isključivanje mašine iz strujnog napajanja. Kabel držite podalje od topline, ulja, oštih rubova ili pokretnih dijelova. Oštećeni ili isprepleteni kabeli povećavaju rizik od strujnog udara.
- Kada mašinom radite na otvorenom, upotrebljavajte produžni kabel prikladan za upotrebu na otvorenom. Upotrebom kabela prikladnog za upotrebu na otvorenom smanjuje se rizik od strujnog udara.
- Ako je rad s mašinom u vlažnom području neizbježan, upotrebljavajte napajanje sa zaštitnim

uređajem diferencijalne struje (FID sklopka). Upotrebom zaštitnog uređaja diferencijalne struje smanjuje se rizik od strujnog udara.

LIČNA SIGURNOST

- Budite oprezni, gledajte šta radite i koristite se uobičajenim osjećajem kada upotrebljavate mašinu. Nemojte upotrebljavati mašinu kada ste umorni ili pod uticajem opojnih sredstava, alkohola ili lijekova. Trenutak nepažnje tokom rada mašina može rezultirati teškim tjelesnim povredama.
 - Upotrebljavajte ličnu zaštitnu opremu. Uvijek nosite zaštitu za oči. Zaštitna oprema poput maske za zaštitu od prašine, neklizajuće sigurnosne obuće, kacige ili zaštite za sluh upotrijebljena za odgovarajuće uslove smanjit će tjelesne povrede.
 - Spriječite nenamjerno pokretanje. Prije spajanja na izvor napajanja i/ili komplet baterija, uzimanja ili nošenja mašine uvjerite se da se prekidač nalazi u isključenom položaju. Nošenje mašina s prstom na prekidaču ili napajanje mašina koje imaju uključen prekidač izaziva nesreće.
 - Prije uključivanja mašine uklonite sve ključeve za podešavanje ili nasadne ključeve. Nasadni ključ ili ključ za podešavanje ostavljen pričvršćen na rotacijski dio mašine može rezultirati tjelesnim povredama.
 - Nemojte se previše naginjati prema naprijed. Cijelo vrijeme održavajte propisno držanje i ravnotežu. To će omogućiti bolju kontrolu nad mašinom u neočekivanim situacijama.
 - Obucite se prikladno. Nemojte nositi široku odjeću ili nakit. Kosu i odjeću uvijek držite podalje od dijelova koji se kreću. Dijelovi koji se kreću mogu zahvatiti široku odjeću, nakit ili dugu kosu.
 - Ako su uređaji namijenjeni za spajanje sistema za izvlačenje i sakupljanje prašine, pobrinite se da se propisno spoje i upotrebljavaju. Upotrebom uređaja za sakupljanje prašine mogu se smanjiti opasnosti koje se odnose na prašinu.
 - Nemojte dozvoliti da vas poznavanje mašina stečeno čestom upotrebom učini samodopadnim pa da zanemarite sigurnosne principe za mašinu. Nemarne radnje u djeliću sekunde mogu rezultirati teškim povredama.
- ### UPOTREBA I NJEGA MAŠINE
- Izbjegavajte preveliko opterećenje mašine. Upotrebljavajte pravilnu mašinu za svoju primjenu. Pravilna mašina bolje će i sigurnije odraditi posao pri brzini za koju je predviđena.
 - Nemojte upotrebljavati mašinu ako se ne uključuje i

ne isključuje putem prekidača. Svaka mašina koja se ne može kontrolisati prekidačem opasna je i potrebno ju je popraviti.

- **Prije obavljanja podešavanja, zamjene dodatne opreme ili skladištenja mašine isključite utikač iz izvora napajanja i/ili komplet baterija iz mašine, ako je odvojiv.** Takve preventivne sigurnosne mjere smanjuju rizik od iznenadnog pokretanja mašine.
- **Nekorištene mašine skladištite izvan dohvata djece i nemojte dozvoliti da osobe koje ne poznaju mašinu ili ova uputstva upotrebljavaju mašinu.** Mašine su opasne u rukama neobučениh korisnika.
- **Održavajte mašine i dodatnu opremu.** Provjerite jesu li pokretni dijelovi centrirani ili spojeni, ima li polomljenih dijelova i postoji li stanje koje može uticati na rad mašine. Ako je oštećena, mašinu popravite prije upotrebe. Loše održavane mašine uzrok su mnogih nesreća.
- **Rezne alate održavajte oštroma i čistima.** Propisno održavani rezni alati s oštrim reznim rubovima vjerovatno se neće spajati i lakši su za upravljanje.
- **Mašinu, dodatnu opremu i nastavke mašine, itd., upotrebljavajte u skladu s ovim uputstvima, uzimajući u obzir radne uslove i posao koji je potrebno obaviti.** Upotreba mašine za radove drukčije od namjenskih može rezultirati opasnim situacijama.
- **Rukohvate i površine rukohvata održavajte suhim, čistim i očišćenim od ulja i masti.** Skliski rukohvati i skliske površine rukohvata onemogućuju sigurno rukovanje i upravljanje mašinom u neočekivanim situacijama.

UPOTREBA I NJEGA AKUMULATORSKIH MAŠINA

- **Punjenje obavljajte samo s punjačem kojeg je naveo proizvođač.** Punjač koji je prikladan za jedan tip kompleta baterija može stvoriti rizik od požara ako ga se upotrebljava s drugim kompletom baterija.
- **Mašine upotrebljavajte samo s izričito navedenim kompletima baterija.** Upotreba drugih kompleta baterija može izazvati rizik od povreda i požara.
- **Kada se komplet baterija ne upotrebljava, držite ga podalje od drugih metalnih predmeta poput spajalica za papir, kovanica, ključeva, eksera, vijaka ili drugih malih metalnih predmeta koji mogu međusobno spojiti kontakte.** Kratko spajanje baterijskih kontakata može uzrokovati opekotine ili požar.
- **U slučaju pogrešne upotrebe, baterija može izbaciti tekućinu; izbjegavajte kontakt.** Ako slučajno dođe do kontakta, odnosna mjesta isperite vodom. Ako tekućina dođe u kontakt s očima, dodatno potražite

pomoć ljekara. Tekućina koju izbaci baterija može uzrokovati nadražaj kože ili opekotine.

- **Nemojte upotrebljavati oštećen ili modifikovan komplet baterija niti oštećenu ili modifikovanu mašinu.** Oštećene ili modifikovane baterije mogu pokazati nepredvidivo ponašanje koje može rezultirati požarom, eksplozijom ili rizikom od povreda.
- **Komplet baterija ili mašinu nemojte izlagati vatri ili previsokoj temperaturi.** Izlaganje vatri ili temperaturi višoj od 130 °C može uzrokovati eksploziju.
- **Pridržavajte se svih uputstava za punjenje i komplet baterija ili mašinu nemojte puniti izvan okvira opsega temperature navedenog u uputstvima.** Nepropisno punjenje ili punjenje pri temperaturama izvan okvira određenog opsega može oštetiti bateriju i povećati rizik od požara.

SERVISIRANJE

- **Servisiranje mašine prepustite kvalifikovanom osoblju za popravak koje upotrebljava samo identične zamjenske dijelove.** Time će se osigurati održavanje sigurnosti mašine.
- **Nemojte nikada servisirati oštećene komplete baterija.** Servisiranje kompleta baterija smiju obavljati samo proizvođač ili ovlašteni serviseri.

SIGURNOSNA UPUTSTVA ZA AKUMULATORSKU PRSKALICU

⚠ OPASNOST! Rizik od požara ili eksplozije. Nemojte raspršivati zapaljive tekućine kao što je benzin.

⚠ UPOZORENJE!

- **Kako biste izbjegli povrede, uvijek nosite zaštitu za oči, disajne organe i kožu.**
- **Kako biste smanjili rizik od strujnog udara, ne izlažite proizvod kiši.**
- **Proizvod je predviđen samo za upotrebu u domaćinstvu i na otvorenom.**
- **Nemojte raspršivati zapaljive ili gorive tekućine u zatvorenom prostoru.** U slučaju raspršivanja gorive tekućine postoji opasnost od požara ili eksplozije, posebno u zatvorenom prostoru.
- **Područje raspršivanja mora biti dobro prozračeno.**
- **Nemojte pušiti dok raspršujete niti raspršivati na mjestima gdje postoje iskre ili plamen.**
- **Komplet baterija uvijek uklonite prije punjenja spremnika.** Prije umetanja kompleta baterija obrišite

BS

sve prolivene tekućine. Pridržavanjem ovog pravila smanjit će se opasnost od strujnog udara i prodiranja korozivnih tekućina u komplet baterija, što može uzrokovati kvar kompleta baterija, uključujući kratki spoj, i rezultirati dimom, požarom i/ili teškim tjelesnim povredama.

- **Vodite računa da vodljive ili korozivne tekućine ne dospiju u komplet baterija.** Ako se vodljiva ili korozivna tekućina proljepe po kompletu baterija, pratite upute u korisničkom priručniku kompleta baterija.
- **Prije upotrebe materijala za raspršivanje u ovoj prskalici, pažljivo pročitajte naljepnicu na originalnom spremniku materijala i pratite upute.** Neki materijali za raspršivanje su opasni i ne smiju se upotrebljavati u ovoj prskalici jer mogu oštetiti prskalicu i izazvati teške tjelesne povrede ili materijalne štete.
- **Upoznajte se sa sadržajem hemikalije koju ćete raspršivati.** Pročitajte sve sigurnosno-tehničke listove (STL) i naljepnice na spremniku isporučene s hemikalijom. Pratite sigurnosne upute proizvođača hemikalije.
- **Opasnost od strujnog udara.** Nemojte nikada raspršivati po strujnim utičnicama.
- **Nemojte ulijevati vruće ili ključale tekućine u spremnik.** One mogu oslabiti ili oštetiti crijeva ili spremnik.
- **Izbjegavajte raspršivanje za vjetrovitih dana.** Tekućina za raspršivanje može se slučajno otpuhati na biljke ili predmete koji se ne smiju prskati.
- **Prskalicu s praznim spremnikom za tekućine skladištite na sigurno, dobro prozračeno mjesto.**
- **Nemojte raspršivati izbjeljivač ili vodikov peroksid.**
- **Nemojte raspršivati hemikalije na bazi alkohola.**
- **Nemojte raspršivati prah ili abrazivne hemikalije.**
- **Nemojte raspršivati lužnate (alkalne) ili samozagrijavajuće tekućine.**
- **Nemojte upotrebljavati hemikalije opasne po životnu sredinu, koje nisu odobrene prema lokalnim propisima.**
- **Mlaznicu prskalice nemojte usmjeravati prema ljudima ili kućnim ljubimcima.**
- **Nemojte nikada dozvoliti da ovaj uređaj upotrebljavaju djeca, osobe ograničenih fizičkih, čulnih ili mentalnih sposobnosti ili nedovoljnog iskustva i znanja ili osobe koje nisu upoznate s ovim uputstvima.**
- **Rukovalac ili korisnik odgovoran je za nesreće ili opasnosti za druge osobe ili njihovu imovinu.**
- **Prskalica se smije upotrebljavati samo s proizvodima za zaštitu biljaka koje su odobrila lokalna/nacionalna regulatorna tijela za proizvode za zaštitu biljaka za upotrebu s leđnim prskalicama.**
- **Postoji rizik od ubrizgavanja.** Nemojte raspršivati direktno na kožu. Sve dijelove tijela držite podalje od obrasca raspršivanja.
- **Nakon upotrebe prskalice, u spremniku nemojte ostavljati ostatke ili materijal za raspršivanje.** Spremnik očistite nakon svake upotrebe.
- **Kako biste smanjili rizik od požara ili eksplozije, upotrebljavajte tekućinu s tačkom zapaljenja višom od 60 °C.**
- **Radi smanjenja rizika od strujnog udara, prskalicu nemojte stavljati u vodu ili drugu tekućinu.** Prskalicu nemojte stavljati ili skladištiti na mjestima gdje može pasti ili gdje je se može povući u kadu ili sudoper.
- **Održavajte ovaj proizvod.** Prije svake upotrebe detaljno pregledajte prskalicu izvana i iznutra te provjerite komponente. Provjerite ima li u spremniku pukotina i oštećenja, curenja, začepljenih mlaznica i dijelova koji nedostaju ili su oštećeni. Ako je oštećen, proizvod popravite prije upotrebe. Loše održavani proizvodi uzrok su mnogih nesreća.
- **Kada ne upotrebljavate prskalicu i prije servisiranja ili čišćenja, okrenite prekidač napajanja u položaj isključivanja.**
- **Prije pražnjenja, čišćenja ili skladištenja prskalice, odvojite bateriju od uređaja.** Takve preventivne sigurnosne mjere smanjuju rizik od iznenadnog pokretanja.
- **Uvijek nosite zaštitu za oči s bočnim štitnicama ili zatvorene zaštitne naočale.** Nepostupanje u skladu s tim može rezultirati prodiranjem tekućine u oči i drugim mogućim teškim povredama.
- **Zaštitite svoja pluća.** Nosite odobrenu sigurnosnu opremu kao što su maske za lice posebno dizajnirane za filtriranje materijala za raspršivanje, rukavice i drugu odgovarajuću zaštitnu opremu. Pridržavanjem ovog pravila smanjit će se opasnost od teških tjelesnih povreda. Pratite sigurnosne upute i smjernice proizvođača hemikalija navedene na sigurnosno-tehničkom listu.
- **U slučaju gutanja, udisanja ili raspršivanja u oči ili po koži, hemikalije i hemijska isparenja mogu biti opasni i uzrokovati teške povrede, trajna oštećenja ili smrt.** Pratite sigurnosne upute i smjernice proizvođača hemikalija navedene na sigurnosno-tehničkom listu.

- Radi smanjenja rizika od povreda, potreban je neposredan nadzor kada se prskalica upotrebljava u blizini djece.
- Nemojte dodirivati pokretne dijelove.
- Upotrebljavajte samo priključke koje je preporučio ili prodao proizvođač.
- Spriječite nenamjerno pokretanje. Prije spajanja na komplet baterija, uzimanja ili nošenja uređaja uvjerite se da je prekidač u isključenom položaju. Nošenje uređaja s prstom na prekidaču ili napajanje uređaja koji ima uključen prekidač izaziva nesreće.

SAČUVAJTE OVA UPUTSTVA

TEHNIČKI PODACI

Nazivni napon	56 V
Maks. zapremina spremnika	15 l
Maks. radni pritisak	24 bara
Maks. Maks. brzina protoka materijala za raspršivanje (s podesivom mlaznicom, režim rada raspršivanja)	2,3 l/min
Prečnik ulaznog filtera	35 mm
Veličina mrežice ulaznog filtera	0,35 mm
Prečnik izlaznog filtera	124 mm
Masa (masa bez tekućine, bez kompleta baterija)	7,6 kg
Preporučena radna temperatura	5 °C - 40 °C
Preporučena temperatura skladištenja	-20 °C - 70 °C
Preporučena temperatura punjenja	5 °C - 40 °C

⚠ UPOZORENJE! Prije upotrebe ledne prskalice, provjerite da ukupna masa uključujući mašinu, tekućinu u spremniku, mlaznicu i korišteni komplet baterija ne prelazi 25 kg kako biste izbjegli povrede i gubitak ravnoteže.

- Deklarisane ukupne vrijednosti vibracija izmjerene su u skladu sa standardnom metodom ispitivanja i mogu se primjenjivati za poređenje jednog alata s drugim.

- Deklarisane ukupne vrijednosti vibracija mogu se primjenjivati i u preliminarnoj procjeni izloženosti.

NAPOMENA! Emisija vibracija tokom aktualne upotrebe električnog alata može se razlikovati od deklarirane vrijednosti u kojoj se alat upotrebljavao; korisnik radi zaštite treba nositi rukavice i štittike za uši u aktualnim uslovima upotrebe.

SADRŽAJ PAKOVANJA (SL. A1)

OPIS

UPOZNAJTE SVOJU PRSKALICU (sl. A1)

1. Crijevo
2. Pretinac za baterije
3. Spremnik
4. Čep spremnika
5. Ručka za nošenje
6. Podesivi sistem za nošenje na leđima
7. Regulator brzine
8. Ručica za zabavljanje
9. Okidni prekidač za uključivanje/isključivanje
10. Upravljački rukohvat
11. Krajnja kapica
12. Cijev za raspršivanje
13. Podesiva mlaznica
14. Ventilatorska mlaznica
15. Mlaznica za pjenjenje
16. Mlaznica za tuširanje

SASTAVLJANJE

⚠ UPOZORENJE! Ako je bilo koji dio oštećen ili ako nedostaje, nemojte upotrebljavati ovaj proizvod dok ne zamijenite dijelove. Upotreba ovog proizvoda oštećenih dijelova ili dijelova koji nedostaju može rezultirati teškim tjelesnim povredama.

⚠ UPOZORENJE! Nemojte pokušavati da modifikujete ovaj proizvod ili da pravite pribor koji nije preporučen za upotrebu s ovim proizvodom. Sve takve izmjene ili modifikacije predstavljaju nepropisnu upotrebu i mogu rezultirati opasnim stanjima koja mogu dovesti do mogućih teških tjelesnih povreda.

⚠ UPOZORENJE! Radi sprečavanja iznenadnog

BS

pokretanja koje može uzrokovati teške tjelesne povrede, uvijek izvadite komplet baterija iz mašine kada postavljate dijelove, obavljate radove podešavanja, čišćenja ili kada ne upotrebljavate proizvod.

- Ovaj proizvod je potrebno sastaviti.
- Pažljivo izvadite proizvod i svu dodatnu opremu iz kutije. Provjerite jesu li uključene sve stavke navedene u "Listi pakovanja".
- Pažljivo pregledajte proizvod kako biste bili sigurni da nije došlo do loma ili oštećenja tokom transporta.
- Ambalažu nemojte odlagati u otpad dok pažljivo ne pregledate proizvod i ne budete zadovoljni radom proizvoda.
- Ako je bilo koji dio oštećen ili ako nedostaje, vratite proizvod na mjesto kupovine.

SAPJANJE CIJEVI ZA RASPRŠIVANJE S UPRAVLJAČKIM RUKOHVATOM

1. Navrnite krajnju kapicu cijevi za raspršivanje na upravljački rukohvat i pritegnite je u smjeru kretanja kazaljki na satu (sl. B).
2. Povucite cijev za raspršivanje da budete sigurni da je dobro pričvršćena.

RAD

⚠ UPOZORENJE! Nemojte dozvoliti da vas poznavanje ovog proizvoda učini nepažljivim. Imajte na umu da je za nanošenje teških povreda dovoljan samo djelić sekunde nepažnje.

⚠ UPOZORENJE! Upotrebljavajte sigurnosnu opremu. Zaštitite oči, kožu i pluća prilikom miješanja, punjenja, raspršivanja i čišćenja. U suprotnom može doći do teških tjelesnih povreda i materijalnih šteta.

⚠ UPOZORENJE! Prije servisiranja, čišćenja, zamjene priključaka, punjenja ili pražnjenja spremnika, uklonite komplet baterija iz proizvoda da izbjegnute teške tjelesne povrede.

⚠ UPOZORENJE! Nemojte upotrebljavati priključke ili pribor koje nije preporučio proizvođač ovog proizvoda. Upotreba nepreporučenih priključaka ili pribora može rezultirati teškim tjelesnim povredama.

Prije svake upotrebe pregledajte cijeli proizvod i provjerite ima li oštećenih dijelova, dijelova koji nedostaju ili otpuštenih dijelova, kao što su vijci, matice, osovinice, kapice, itd. Čvrsto pritegnite sve pričvrstne elemente i

kapice i nemojte upotrebljavati ovaj proizvod dok se ne zamijene svi dijelovi koji nedostaju ili koji su oštećeni.

PREDVIĐENA UPOTREBA

Ovaj proizvod možete upotrebljavati za svrhe navedene u nastavku:

- Primjena gnojiva i zalijevanje biljaka.
- Prskanje herbicidima, pesticidima i fungicidima.

NAPOMENA! Proizvod je predviđen samo za upotrebu u hortikulturi i poljoprivredi.

NAPOMENA! Proizvod se smije upotrebljavati samo za prethodno opisanu namjenu. Svaka druga upotreba smatra se nepropisnom upotrebom.

⚠ UPOZORENJE! Nepravilna primjena hemikalija ili otopina može rezultirati TEŠKIM POVREDAMA ili SMRČU. Pratite sigurnosne upute i smjernice proizvođača hemikalija navedene na sigurnosno-tehničkom listu.

PUNJENJE SPREMNIKA (sl. C)

⚠ UPOZORENJE! Uvijek pratite upute proizvođača hemikalija na naljepnici proizvoda koje se odnose na upotrebu, čišćenje i skladištenje. Nemojte kombinovati hemikalije. Nakon svake upotrebe detaljno očistite spremnik prema uputama u odjeljku "ODRŽAVANJE" ovog priručnika. Hemikalije treba skladištiti van dohvata djece. U suprotnom može doći do teških tjelesnih povreda.

⚠ UPOZORENJE! Kako biste izbjegli povrede i gubitak ravnoteže, vodite računa da količina tekućine dodane u spremnik ne premašuje ukupnu masu prskalice, uključujući mašinu, tekućinu u spremniku te mlaznicu i komplet bateriju koji se upotrebljava, od 25 kg.

Tekuće hemikalije koje se raspršuju moraju biti rijetke poput vode. Gušće tekućine neće se pravilno raspršiti. Nemojte previše puniti spremnik.

1. Izvadite komplet baterija.
2. Odrnite čep spremnika u smjeru suprotnom smjeru kretanja kazaljki na satu i uklonite ga sa spremnika.
3. Stavite prskalicu na ravnu površinu.
4. Napunite spremnik željenom količinom vode.
5. Izmjerite preporučenu količinu tekuće hemikalije.
6. Pažljivo ulijte tekuću hemikaliju u spremnik.
7. Ponovo zavrnite čep spremnika na prskalicu i provjerite je li dobro pritegnut.

Otopine za raspršivanje mogu se prethodno pomiješati i uliti u prskalicu.

NAPOMENA! Ako za držanje tekućine upotrebljavate mjernu posudu, vodite računa da je nakon upotrebe dobro očistite i isperete. Ako prethodno miješate otopinu za raspršivanje, isperite spremnik koji se upotrebljavao za miješanje.

NAPOMENA! Važno je detaljno očistiti prskalicu nakon svake upotrebe. Ostavljanje tekućine u prskalici koja se ne upotrebljava duže vrijeme može uzrokovati zaglavljivanje pokretnih dijelova i konektora.

POSTAVLJANJE/UKLANJANJE KOMPLETA BATERIJA

Proizvod upotrebljavajte samo s EGO kompletima baterija i punjačima koji su navedeni na sl. A2.

Detaljne upute potražite u odgovarajućim priručnicima za komplete baterija i punjača.

Komplet baterija potpuno napunite prije prve upotrebe.

1. Poklopac pretinca za baterije podignite podizanjem prednjeg dijela poklopca (sl. D1).
2. **Za pričvršćivanje** poravnajte kontakte baterije s montažnim utorima i pritisnite komplet baterija prema dolje dok ne začujete zvuk "klikanja" (sl. D1).
3. **Za odvajanje** pritisnite dugme za oslobađanje baterije i izvucite komplet baterija (sl. D2).
4. Zatvorite poklopac pretinca za baterije.

⚠ UPOZORENJE! Kada pritisćete dugme za oslobađanje baterije, uvijek pazite na položaj stopala, djece ili kućne ljubimce. Ako komplet baterija padne, može doći do teških povreda. Komplet baterija nemojte NIKADA vaditi na visokom položaju.

⚠ UPOZORENJE! Prije upotrebe provjerite je li bravica na prskalici zvučno ulegla u svoje mjesto, je li komplet baterija pričvršćen na prskalici i je li poklopac pretinca za baterije potpuno zatvoren. Ako komplet baterija nije dobro pričvršćen, može ispasti i izazvati teške tjelesne povrede.

⚠ UPOZORENJE! Radi izbjegavanja teških tjelesnih povreda, pri podizanju ili transportu prskalice uvijek izvadite komplet baterija i ruke držite podalje od upravljačkog rukohvata.

POZICIONIRANJE LEDNE PRSKALICE

⚠ UPOZORENJE! Obucite se propisno kako biste

umanjili rizik od povreda tokom rukovanja ovim uređajem. Nemojte nositi široku odjeću ili nakit. Nosite zaštitu za oči. Nosite robusne duge hlače, čizme i rukavice. Nemojte nositi kratke hlače, sandale ili biti bosonogi.

Prije upotrebe ledne prskalice pobrinite se da rukovalac nosi zaštitu za oči i odgovarajuću odjeću te da može da održava sigurno i uravnoteženo uporište.

Podešavanje sistema za nošenje na leđima

1. Provucite ruke kroz trake ledne baterije da poduprete prskalicu na leđima.
2. Privremeno podesite obje ramene trake u ugodne položaje (sl. E1) vodeći računa da lakat bude u ugodnom položaju.
3. Zatvorite prsnu kopču i prema potrebi podesite dužinu prsne trake (sl. E2).
4. Zatvorite pojasnu kopču i podesite dužinu pojasne trake tako da vam kukovi dobro podupiru lednu bateriju na leđima (sl. E3 i E4).

NAPOMENA! Ledna baterija ne smije biti previsoko na vašim leđima; potrebno ju je pozicionirati bliže kukovima nego ramenima.

⚠ UPOZORENJE! U hitnom slučaju odmah otpustite kopče na prsima i struku da skinete traku ledne baterije sa svake strane. Ovo je metoda brzog otpuštanja.

5. Ponovo podesite ramene trake radi sigurnosti i udobnosti. Pobrinite se da ledna baterija bude dobro namještena na vašim leđima, tako da njenu masu podržava pojasna traka i da se previše ne pomjera kada se krećete (sl. E5).
6. Umetnite višak trake oko pojasa u gumu sa svake strane (sl. E6).
7. Za skidanje ledne baterije s leđa jednostavno pritisnite pojasnu i prsnu kopču da ih otpustite i spustite prskalicu (sl. E7).

POKRETANJE/ZAUSTAVLJANJE PRSKALICE (sl. F)

Regulator brzine

1. Za povećanje brzine protoka okrenite regulator brzine u smjeru kretanja kazaljki na satu.

F-1	Regulator brzine	F-3	Okidni prekidač za uključivanje/isključivanje
F-2	Ručica za zabavljanje		

2. Za smanjenje brzine protoka okrenite regulator brzine u smjeru suprotnom smjeru kretanja kazaljki na satu.
3. Prskalica će se zaustaviti ako nastavite okretati regulator u položaj "ISKLUČENO".

⚠ UPOZORENJE! Kako biste spriječili slučajno pokretanje, okrenite regulator brzine u položaj "Isključeno" (crvena tačka na tačkama regulatora pokazuje prema cijevi za raspršivanje).

⚠ UPOZORENJE! Prije skladištenja mašine, ostavljanja mašine na duže vrijeme ili zamjene kompleta baterija, regulator brzine uvijek okrenite u položaj "Isključeno" (crvena tačka na tačkama regulatora pokazuje prema cijevi za raspršivanje).

Okidni prekidač za uključivanje/isključivanje

1. Za uključivanje prskalice pritisnite okidni prekidač za uključivanje/isključivanje.
2. Za zaustavljanje prskalice otpustite okidni prekidač.

Ručica za zabavljanje

Ručica za zabavljanje korisna je ako želite raspršivati duže vrijeme ili pokriti veliko područje.

1. Za zabavljanje okidnog prekidača za uključivanje/isključivanje pritisnite ručicu za zabavljanje nakon stiskanja okidnog prekidača.
2. Za otpuštanje okidnog prekidača za uključivanje/isključivanje povucite ručicu za zabavljanje.

NAPOMENA! Prije umetanja kompleta baterija u prskalicu provjerite da okidni prekidač nije zabavljen.

PODEŠAVANJE I ZAMJENA MLAZNICA

⚠ UPOZORENJE! Prije podešavanja ili zamjene mlaznica uklonite komplet baterija da izbjegnute teške tjelesne povrede.

Prskalica se isporučuje sa četiri mlaznice: podesiva mlaznica, ventilatorska mlaznica, mlaznica za tuširanje i mlaznica za pjenjenje. Prije početka radova promijenite mlaznicu kako bi odgovarala zadatku.

Podesiva mlaznica (sl. G1): Tačkasto prskanje cvjetnjaka, pločnika, prilaza, terasa i oko drveća i grmlja. Ivce uz ograde, prilaze i pločnike. Uklanjanje niskog rastinja.

Ventilatorska mlaznica (sl. G3): Površinsko raspršivanje za vrlo široku pokrivenost i tekućine veće viskoznosti. Priprema velikih površina za sadnju.

G-1	Ventilatorska mlaznica	G-3	Mlaznica za pjenjenje
G-2	Mlaznica za tuširanje		

Mlaznica za tuširanje (sl. G3): Omogućuje veći protok vode za zalijevanje i tretiranje biljaka.

Mlaznica za pjenjenje (sl. G3): Vidljivo označava tretirane korove. Tačkasto prskanje korova na travnjaku, oko cvjetnjaka, drveća i grmlja. Ivce uz ograde, prilaze i pločnike.

Podesiva mlaznica može se podešavati između mlaza i raspršivanja (sl. G1).

1. Okrenite izbočeni (teksturirani) dio mlaznice u smjeru suprotnom smjeru kretanja kazaljki na satu za mlaz.
2. Okrenite izbočeni (teksturirani) dio mlaznice u smjeru kretanja kazaljki na satu za raspršivanje.

Za uklanjanje i zamjenu mlaznice, odvrnite cijelu mlaznicu u smjeru suprotnom smjeru kretanja kazaljki na satu (sl. G2).

Brzina protoka različitih mlaznica isporučenih s prskalicom:

	Nazivna brzina protoka (l/min)	Maksimalni radni pritisak (l/min)	Optimalni radni pritisak (l/min)
Podesiva mlaznica	2,3	2,7	2,4
Ventilatorska mlaznica	2,3	2,7	2,4
Mlaznica za tuširanje	2,3	2,9	2,7
Mlaznica za pjenjenje	2,3	2,7	2,4

RASPRŠIVANJE HEMIKALIJA ZA KUĆU I VRT (sl. H)

⚠ UPOZORENJE! Mlaznicu cijevi za raspršivanje nemojte nikada usmjeravati prema sebi ili drugima.

⚠ UPOZORENJE! Tokom rada s prskalicom nemojte pušiti, jesti niti piti.

⚠ UPOZORENJE! Nemojte nikada raspršivati u smjeru ljudi ili životinja; uvijek raspršujte niz vjetar.

⚠ UPOZORENJE! Rizik od požara ili eksplozije.

Područje raspršivanja mora biti dobro prozračeno i udaljeno od iskri ili plamena.

1. Postavite komplet baterija.
2. Okrenite regulator brzine da podesite željenu brzinu protoka.
3. Mlaznicu prskalice usmjerite direktno na biljke ili predmete koje želite prskati.

NAPOMENA! Budite dovoljno udaljeni od predmeta koji prskate da materijal za raspršivanje ne bi prskao nazad na vas.

4. Za pokretanje prskalice pritisnite okidni prekidač.
5. Za zaustavljanje prskalice otpustite okidni prekidač.
6. Nakon svake upotrebe ispraznite i očistite spremnik kako je opisano u odjeljku "ODRŽAVANJE".

SAVJETI ZA RAD

- Namjestite ramene trake sistema za nošenje na leđima tako da vam prskalica bude iznad struka, a spremnik čvrsto uz vaša leđa.
- Izbjegavajte raspršivanje za vjetrovitih dana. Tekućina za raspršivanje može se slučajno otpuhati na biljke ili predmete koji se ne smiju prskati.
- Raspršujte rano ujutro ili kasno poslijepodne, posebno po toplijem vremenu. Pretjerana toplina može uzrokovati isparavanje materijala za raspršivanje prije nego što se slegne.

ODRŽAVANJE

⚠ UPOZORENJE! Kada obavljate radove servisiranja, upotrebljavajte samo identične zamjenske dijelove. Upotreba drugih dijelova može uzrokovati opasnost ili oštećenje proizvoda. Radi osiguranja sigurnosti i pouzdanosti, sve popravke treba obavljati kvalifikovani servisni tehničar.

⚠ UPOZORENJE! Prije servisiranja, čišćenja, zamjene mlaznica, radova održavanja ili kada prskalica nije u upotrebi uklonite paket baterija iz prskalice da izbjegnute teške tjelesne povrede. Prskalica na baterijski pogon s umetnutim kompletom baterija uvijek je uključena i može se iznenada pokrenuti.

OSNOVNO ODRŽAVANJE

Sve radove servisiranja prskalice drukčije od navedenih u ovim uputstvima za održavanje treba obavljati kvalifikovani servisni tehničar.

ČIŠĆENJE

Kada čistite plastične dijelove, izbjegavajte upotrebljavati rastvore. Mnoge plastike mogu se oštetiti različitim vrstama komercijalnih rastvora i mogu se oštetiti njihovom upotrebom. Za uklanjanje prijavštine, prašine, ulja, masti i sl. upotrebljavajte čistu krpu.

⚠ UPOZORENJE! Nemojte nikada dozvoliti da kočione tekućine, benzin, proizvodi na bazi nafte, penetrirajuća ulja i sl., dođu u kontakt s plastičnim dijelovima. Hemikalije mogu oštetiti, oslabiti ili uništiti plastiku što može rezultirati teškim tjelesnim povredama.

⚠ UPOZORENJE! Kada čistite prskalicu, NEMOJTE je uranjati u vodu ili druge tekućine.

⚠ UPOZORENJE! Hemikalije uvijek pravilno skladištite i zbrinjavajte. Zbrinjavanje kontaminirane vode za ispiranje treba obavljati u skladu s lokalnim propisima i zakonima.

- Ako nakon prskanja u spremniku još uvijek ima tekućine, ispraznite spremnik prije čišćenja.
- Kada čistite vanjsku površinu spremnika, uvijek upotrebljavajte samo meku, suhu krpu; nemojte nikada upotrebljavati deterdžente ili alkohol.
- Napunite spremnik čistom vodom otprilike do jedne trećine. Prskajte dok se spremnik ne isprazni. Vodite računa da prskalicu usmjerite na područje koje otopina za raspršivanje neće oštetiti.
- Ponovo napunite spremnik i ponovite postupak sa čistom vodom. Spremnik će možda biti potrebno više puta isprati i zatim ga ponovo isprazniti kako je prethodno opisano.
- Pričekajte da se svi dijelovi potpuno osuše prije ponovnog sastavljanja i skladištenja uređaja.

ODRŽAVANJE MAZNICE

⚠ UPOZORENJE! Provjerite jesu li svi radovi održavanja mlaznica obavljeni propisno kako biste izbjegli curenje vode. Curenja mogu rezultirati skliskom površinom koja izaziva opasnost od klizanja i pada ili oštećenja imovine.

Nepravilan obrazac raspršivanja ili curenje mogu biti rezultat začepjene ili prijave mlaznice.

1. Isključite prskalicu i uklonite komplet baterija.
2. **Čišćenje podesive mlaznice (sl. I1):**
 - a. Odrvnite i uklonite izbočeni (teksturirani) dio podesive mlaznice.
 - b. Gurnite tanku žicu (nije u sadržaju isporuke)

kroz križne rupe da uklonite sve naslage. Ako je potrebno, križne rupe i mlaznicu isperite čistom vodom.

c. Obrišite mlaznicu čistom, suhom krpom i ponovo je postavite.

3. Čišćenje ventilatorske mlaznice i mlaznice za pjenjenje (sl. I2):

a. Odmrinite mlaznicu sa cijevi za raspršivanje i uklonite je.

b. Gumite tanku žicu (nije u sadržaju isporuke) kroz rupu da uklonite sve naslage. Ako je potrebno, mlaznicu isperite čistom vodom.

c. Obrišite mlaznicu čistom, suhom krpom i ponovo je postavite.

TRANSPORT I SKLADIŠTENJE (sl. J)

- Izvadite komplet baterija.
- Okrenite regulator brzine u položaj "Isključeno" (crvena tačka na tačkama regulatora pokazuje prema cijevi za raspršivanje).
- Detaljno očistite prskalicu.
- Ispraznite spremnik, crijevo i cijev za raspršivanje.

NAPOMENA! Prije skladištenja, posebno prije zimskog skladištenja, morate isprazniti spremnik, crijevo i cijev za raspršivanje kako biste spriječili smrzavanje i oštećenje mašine, zbog čega se ne bi pokrenula nakon zimskog skladištenja.

- Pričvrstite cijev za raspršivanje u postolje i držač za skladištenje.

J-1	Držač za skladištenje	J-3	Ručka za nošenje
J-2	Postolje		

- Prilikom transporta podignite prskalicu za ručku za nošenje ili je nosite pomoću trake za nošenje.
- Prskalicu skladištite u zatvorenom prostoru, na dobro prozračenom mjestu.
- Pogonsku jedinicu držite podalje od korozivnih sredstava kao što su vrtna hemijska sredstva i soli za odmrzavanje.

Zaštita životne sredine



Električnu opremu, iskorištenu bateriju i punjač ne odlažite u kućni otpad!

Ovaj proizvod odnesite u ovlašteni centar za reciklažu i time omogućite odvojeno sakupljanje. Električne alate potrebno je vratiti u ekološki prihvatljiv pogon za reciklažu.

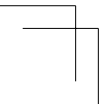
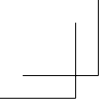
RJEŠAVANJE PROBLEMA

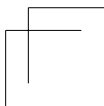
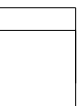
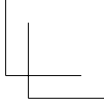
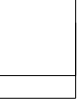
PROBLEM	UZROK	RJEŠENJE
Prskalica se ne pokreće.	<ul style="list-style-type: none"> ■ Komplet baterija nije potpuno umetnut u pretinac za baterije. ■ Nema električnog kontakta između prskalice i kompleta baterija. ■ Komplet baterija je ispražnjen. ■ Komplet baterija ili prskalice je previše vruć/a. 	<ul style="list-style-type: none"> ■ Provjerite je li komplet baterija potpuno umetnut u pretinac za baterije. ■ Izvadite komplet baterija, provjerite kontakte i ponovo postavite komplet baterija. ■ Napunite komplet baterija. ■ Isključite prskalicu i pričekajte da se komplet baterija ili prskalica ohlade na radnu temperaturu u preporučenom opsegu.
Motor radi, ali iz mlaznice ne izlazi mlaz.	<ul style="list-style-type: none"> ■ Nivo tekućine u spremniku je nizak. ■ Mlaznica se začepila tokom rada. 	<ul style="list-style-type: none"> ■ Provjerite ima li dovoljno tekućine u spremniku. ■ Očistite mlaznicu/mlaznice u skladu s uputama u odjeljku "ODRŽAVANJE MLAZNICE" i ponovo postavite prema uputama.
Tekućina izlazi između upravljačkog rukohvata i cijevi za raspršivanje.	<ul style="list-style-type: none"> ■ Krajnja kapica cijevi za raspršivanje je otpuštena. 	<ul style="list-style-type: none"> ■ Pritegnite krajnju kapicu.
Tekućina izlazi između cijevi za raspršivanje i mlaznice.	<ul style="list-style-type: none"> ■ Mlaznica je otpuštena ili nepravilno postavljena. 	<ul style="list-style-type: none"> ■ Ponovo pravilno postavite i pritegnite mlaznicu kako je navedeno u odjeljku "PODEŠAVANJE I ZAMJENA MLAZNICA".

GARANCIJA

POLITIKA GARANCIJE PROIZVOĐAČA EGO

Za sve odredbe i uslove politike garancije proizvođača EGO posjetite internetsku stranicu egopowerplus.eu.





استكشاف الأعطال وإصلاحها

المشكلة	السبب	الحل
لا يمكن تشغيل الرشاشة.	<ul style="list-style-type: none"> لم يتم إدخال مجموعة البطارية بالكامل في حجيرة البطارية. لا يوجد اتصال كهربائي بين الرشاشة ومجموعة البطارية. نفذ شحن مجموعة البطارية. مجموعة البطارية أو الرشاشة ساخنان للغاية. 	<ul style="list-style-type: none"> تأكد من إدخال مجموعة البطارية بالكامل في حجيرة البطارية. اخلع مجموعة البطارية، وافحص التوصيلات، ثم أعد تركيب مجموعة البطارية. اشحن مجموعة البطارية. أوقف تشغيل الرشاشة واترك مجموعة البطارية أو الرشاشة تبردان إلى أن تهبط درجة حرارتهما إلى مدى درجة حرارة التشغيل الموصى بها.
المحرك يعمل ولكن لا يخرج رذاذ من الفوهة.	<ul style="list-style-type: none"> مستوى السائل منخفض في الخزان. انسدت الفوهة في أثناء التشغيل. 	<ul style="list-style-type: none"> تحقق وتأكد من وجود كمية كافية من السائل في الخزان. نظف الفوهة (الفوهات) وفقاً لقسم "صيانة الفوهة"، وأعد تجميعها على النحو الموضح.
هناك تسرب للسائل من بين مقبض التحكم والعصا.	<ul style="list-style-type: none"> الغطاء الخارجي للعصا مفكوك. 	<ul style="list-style-type: none"> اربط الغطاء الخارجي بإحكام.
هناك تسرب للسائل من بين عصا الرش والفوهة.	<ul style="list-style-type: none"> الفوهة مفكوكة أو مثبتة بشكل غير صحيح. 	<ul style="list-style-type: none"> أعد تركيب الفوهة بشكل صحيح ومحكم وفقاً للقسم "ضبط الفوهات وتغييرها".

الضمان

سياسة ضمان EGO

تفضل بزيارة الموقع الإلكتروني egopowerplus.eu للتعرف على الشروط والأحكام الكاملة الخاصة بسياسة ضمان EGO.

تنبيه: قبل التخزين، خاصة قبل فصل الشتاء، تأكد من تفريغ الخزان والخرطوم وعصا الرش لمنع تجمد الآلة وتلفها، مما سيؤدي إلى عدم التمكن من تشغيلها بعد الشتاء.

■ ثبت عصا الرش في القاعدة ومشبك التخزين.

J-1	مشبك التخزين	J-3	مقبض الحمل
J-2	القاعدة		

■ ارفع الرشاشة بواسطة مقبض الحمل أو احملها باستخدام حمالة الدعم عند نقلها.

■ يكون تخزين الرشاشة في مكان مغلق جيد التهوية.

■ احتفظ بالمنتج بعيدًا عن المواد المسببة للتآكل مثل كيماويات الحديقة وملح إذابة الجليد.

حماية البيئة

لا تتخلص من المعدات الكهربائية أو البطارية المستهلكة أو الشاحن في النفايات المنزلية!

بل توجه بهذا المنتج إلى مركز إعادة تدوير معتمد ليكون متاحًا للفرز بشكل منفرد. تجب إعادة الآلات الكهربائية إلى مرفق إعادة تدوير صديق للبيئة.



⚠ تحذير: قم دائمًا بتخزين المواد الكيميائية والتخلص منها بشكل صحيح. يجب التخلص من مياه الشطف الملوثة وفقًا للوائح والقوانين المحلية.

- إذا كان هناك أي سائل متبقٍ في الخزان بعد الرش، قم بتصريف الخزان قبل التنظيف.
- احرص دائمًا على استخدام قطعة قماش ناعمة جافة عند تنظيف السطح الخارجي للخزان؛ ولا تستخدم أبدًا أي منظفات أو مواد كحولية.
- املا الخزان إلى حوالي ثلثه بالماء النظيف. استمر في الرش إلى أن يتم تفريغ الخزان. تأكد من توجيه الرذاذ نحو منطقة لن تتضرر من محلول الرش.

- أعد الملء وكرر الإجراء بالماء النظيف. قد يكون من الضروري شطف الخزان أكثر من مرة، ثم تصريفه مرة أخرى كما هو موضح أعلاه.
- اترك جميع القطع تجف تمامًا قبل إعادة تجميع الوحدة وتخزينها.

صيانة الفوهة

⚠ تحذير: تأكد من إجراء جميع أعمال صيانة الفوهة بشكل صحيح لمنع تسرب الماء. يمكن أن تؤدي التسربات إلى وجود سطح زلق، مما يخلق خطر الانزلاق والسقوط أو يتسبب في تلف الممتلكات.

قد تكون أنماط الرش غير المنتظمة أو ارتشاح المياه ناتجة عن انسداد الفوهة أو اتساعها.

1. أطفئ الرشاشة واخلع مجموعة البطارية.
2. **إزالة الانسداد من الفوهة القابلة للضبط (الشكل 11):**
 - a. قم بفك الجزء المحرز (المجسم) من الفوهة القابلة للضبط وإزالتها.
 - b. ادفع سلكًا رقيقًا (غير مرفق) عبر الفتحة المتقاطعة لإزالة أي عوالق. إذا لزم الأمر، اشطف الفتحة المتقاطعة والفوهة بالماء النظيف.
 - c. امسح الفوهة بقطعة قماش نظيفة وجافة، ثم أعد تركيب الفوهة.

3. إزالة الانسداد من فوهة المروحة وفوهة الرغوة (الشكل 12):

- a. قم بفك الفوهة من عصا الرش وإزالتها.
- b. ادفع سلكًا رقيقًا (غير مرفق) عبر الفتحة لإزالة أي عوالق. إذا لزم الأمر، اشطف الفوهة بالماء النظيف.
- c. امسح الفوهة بقطعة قماش نظيفة وجافة، ثم أعد تركيب الفوهة.

النقل والتخزين (الشكل J)

- اخلع مجموعة البطارية.
- قم بتدوير بكرة السرعة إلى وضع الإيقاف (النقطة الحمراء على البكرة تشير نحو عصا الرش).
- نظف الرشاشة جيدًا.
- افرغ الخزان والخراطوم وعصا الرش.

2. قم بتدوير البكرة لتعيين معدل التدفق المطلوب.

3. وجه فوهة الرشاشة مباشرة نحو النباتات أو الأشياء التي ترغب في رشها.

ملاحظة: تأكد من الوقوف بعيدًا بما يكفي عن الشيء الذي يتم رشه لمنع ارتداد الرذاذ عليك.

4. اضغط إلى أسفل على الزناد مع التثبيت لبدء تشغيل الرشاشة.
5. اترك الزناد لإيقاف تشغيل الرشاشة.
6. قم دائمًا بتصريف السائل من الخزان وتنظيف الخزان بعد كل استخدام كما هو موضح في قسم "الصيانة".

نصائح التشغيل

- اضبط أوزمة الكتف الخاصة بالحماله بحيث تستقر الرشاشة فوق خصرك ويكون الخزان قريبًا من ظهرك.
- تجنب الرش في الأيام العاصفة. لأنه يمكن أن يتم رش المادة عن طريق الخطأ على النباتات أو الأشياء التي لا ينبغي رشها.
- رش في الصباح الباكر أو في وقت متأخر من بعد الظهر، خاصة في الطقس الحار. يمكن أن يتبخر الرذاذ بسبب الحرارة الزائدة قبل أن يستقر مكانه.

الصيانة

⚠ تحذير: استخدم فقط قطع غيار أصلية عند إجراء أعمال الصيانة. لأن استخدام أي أجزاء أخرى قد ينشأ عنه خطر أو يتسبب في تعرض المنتج للتلف. لضمان السلامة والاعتمادية، يجب تنفيذ جميع أعمال الإصلاح من قبل فني خدمة مؤهل.

⚠ تحذير: لتجنب الإصابة الجسدية الخطيرة، قم بإزالة مجموعة البطارية من الرشاشة قبل التنظيف أو تغيير الفوهات أو تنفيذ أي أعمال صيانة أو عند عدم استخدام الرشاشة. عندما تكون البطارية مثبتة في الرشاشة العاملة بالبطارية، فإن الآلة تكون متصلة بالتيار وقد تعمل دون قصد.

الصيانة العامة

يجب أن يتم تنفيذ جميع أعمال صيانة الرش، بخلاف العناصر المدرجة في تعليمات الصيانة هذه، من قبل فني صيانة مؤهل.

التنظيف

تجنب استخدام المنظفات عند تنظيف الأجزاء البلاستيكية. غالبية المكونات البلاستيكية تكون سريعة التأثر بالأنواع المختلفة للمنظفات الموجودة بالسوق، وقد تلف نتيجة استخدامها عليها. استخدم قطعة قماش نظيفة لإزالة الأوساخ والتراب والزيوت والشحم وما شابههم.

⚠ تحذير: لا تسمح في أي وقت من الأوقات بملامسة سوائل الفرامل أو البنزين أو المنتجات القائمة على البترول أو الزيت المتغلغل أو ما شابههم للأجزاء البلاستيكية. لأن المواد الكيميائية قد تتسبب في تلف الأجزاء البلاستيكية أو ضعفها أو تدميرها، وهو ما قد يؤدي إلى وقوع إصابات خطيرة.

⚠ تحذير: عند تنظيف الرشاشة، لا تغمرها في الماء أو أي سوائل أخرى.

6. أدخل أي طول زائد موجود في الحزام حول الخصر في الفتحات المطاطية على كلا الجانبين (الشكل E6).
7. لخلع حقيبة الظهر عن ظهرك، ما عليك سوى الضغط على إبيزيمي الخصر والصدر لتحريرها وإنزال الرشاشة (الشكل E7).

بدء تشغيل/إيقاف الرشاشة (الشكل F)

بكرة السرعة

1. لزيادة معدل التدفق، قم بتدوير بكرة السرعة في اتجاه عقارب الساعة.

F-1	بكرة السرعة	F-3	زناد التشغيل/الإيقاف
F-2	رافعة القفل		

2. لتقليل معدل التدفق، قم بتدوير بكرة السرعة عكس اتجاه عقارب الساعة.

3. ستتوقف الرشاشة عن العمل إذا استمرت في تدوير البكرة إلى وضع "OFF" (إيقاف).

⚠ تحذير: لمنع التشغيل غير المقصود، قم بتدوير بكرة السرعة إلى وضع الإيقاف (النقطة الحمراء على البكرة تشير نحو عصا الرش).

⚠ تحذير: قبل تخزين الآلة أو تركها لفترة طويلة أو استبدال مجموعة البطارية، تأكد دائماً من تدوير بكرة السرعة إلى وضع الإيقاف (النقطة الحمراء على البكرة تشير نحو عصا الرش).

زناد التشغيل/الإيقاف

1. اضغط على زناد التشغيل/الإيقاف لتشغيل الرشاشة.
2. اترك الزناد لإيقاف تدفق السائل.
- رافعة القفل
- رافعة القفل تكون مريحة عند الرش لفترة طويلة أو عند تغطية منطقة كبيرة.
1. لفتح زناد التشغيل/الإيقاف، اضغط على رافعة القفل بعد الضغط على الزناد.
2. لتحرير زناد التشغيل/الإيقاف، اسحب رافعة القفل.

تنبيه: تأكد من أن الزناد غير مقفل قبل تركيب مجموعة البطارية في الرشاشة.

ضبط الفوهات وتغييرها

⚠ تحذير: لتجنب الإصابة الجسدية الخطيرة، قم بإزالة مجموعة البطارية قبل ضبط الفوهات أو تغييرها.

تأتي الرشاشة مع أربع فوهات: فوهة قابلة للضبط، وفوهة المروحة، وفوهة الرشاش، وفوهة الرغوة. قم بتغيير الفوهة قبل أن تبدأ العمل لتناسب المهمة المطلوبة.

الفوهة القابلة للضبط (الشكل G1): رش البقع في أحواض الزهور والممرات والمداخل والفناءات وحول الأشجار والشجيرات. الرش على طول الأسوار والممرات والمداخل. قتل النباتات المتسلقة

والشجيرات الضارة.

فوهة المروحة (الشكل G3): الرش المسطح لتغطية منطقة واسعة جداً ولرش السوائل ذات الزوجة العالية. تحضير مساحات كبيرة للزراعة.

G-1	فوهة المروحة	G-3	فوهة الرغوة
G-2	فوهة الرشاش		

فوهة الرشاش (الشكل G3): يخرج تدفقاً أعلى من الماء لسقي النباتات ومعالجتها.

فوهة الرغوة (الشكل G3): لإظهار الأعشاب الضارة المعالجة بوضوح. رش البقع على الأعشاب الضارة في الحديقة، وحول أحواض الزهور، والأشجار، والشجيرات. الرش على طول الأسوار والممرات والمداخل.

يمكن تعديل الفوهة القابلة للضبط بين التدفق والرش (الشكل G1).

1. قم بتدوير الجزء المحز (المجسم) من الفوهة عكس اتجاه عقارب الساعة للساعة للتدفق.
2. قم بتدوير الجزء المحز (المجسم) من الفوهة في اتجاه عقارب الساعة للساعة للرش.
- قم بفتح الفوهة بالكامل عكس اتجاه عقارب الساعة لإزالة الفوهة وتغييرها (الشكل G2).

معدل تدفق الفوهات المختلفة المرفقة مع الرشاشة:

معدل التدفق الاسمي (لتر/دقيقة)	الحد الأقصى لضغط العمل (لتر/دقيقة)	الحد الأدنى لضغط العمل (لتر/دقيقة)	ضبط العمل الأمثل (لتر/دقيقة)
2.3	2.7	2.4	الفوهة القابلة للضبط
2.3	2.7	2.4	فوهة المروحة
2.3	2.9	2.7	فوهة الرشاش
2.3	2.7	2.4	فوهة الرغوة

رش المواد الكيميائية المنزلية والحدائقية (الشكل H)

⚠ تحذير: لا توجه فوهة العصا نحو نفسك أو الآخرين.

⚠ تحذير: لا تدخن أو تأكل أو تشرب في أثناء تشغيل الرشاشة.

⚠ تحذير: لا ترش في اتجاه الناس أو الحيوانات مطلقاً؛ ويجب الرش دائماً مع اتجاه الرياح.

⚠ تحذير: خطر التعرض للحريق أو الانفجار. يجب أن تكون منطقة الرش جيدة التهوية وبعيدة عن الشرر أو اللهب.

1. قم بتركيب مجموعة البطارية.

مجموعة البطارية إلى الخارج (الشكل D2).

4. أغلق غطاء حجرة البطارية.

تحذير: انتبه دائماً لموضع قديمك أو الأطفال أو الحيوانات الأليفة عند الضغط على زر تحرير البطارية. فقد تقع إصابات خطيرة إذا سقطت مجموعة البطارية. لا تقم أبداً بخلع مجموعة البطارية وأنت في مكان شاهق الارتفاع.

تحذير: تأكد من أن المزلاج الموجود بالرشاشة مثبت في مكانه، ومن أن مجموعة البطارية مثبتة جيداً في الرشاشة، ومن أن غطاء حجرة البطارية مغلق تماماً قبل بدء التشغيل. فقد يؤدي عدم تثبيت مجموعة البطارية بشكل آمن إلى سقوطها من الآلة، مما قد يؤدي إلى إصابة جسدية خطيرة.

تحذير: لتجنب التعرض لإصابات خطيرة، احرص دائماً على خلع مجموعة البطارية مع إبقاء يدك بعيداً عن مقبض التحكم عند رفع الآلة أو نقلها.

ضبط موضع الرشاشة المحمولة على الظهر

تحذير: احرص على ارتداء ملابس ملائمة للحد من خطر التعرض لإصابات في أثناء تشغيل هذا الجهاز. لا ترتد ملابس أو مجوهرات غير ثابتة. ارتد أدوات حماية العينين. احرص على ارتداء بنطال طويل قوي، وحذاء ذي رقيقة، وقفازات. لا ترتد بناطيل قصيرة أو صنادل أو أن تكون حافي القدمين.

قبل استخدام الرشاشة المحمولة على الظهر، تأكد من أن المشغل يرتدي أدوات حماية للعينين وملابس مناسبة ويمكنه الحفاظ على مواضع أقدام ثابتة ومتوازنة.

لضبط حمالة الدعم

1. ضع ذراعك عبر أحزمة الحمل على الظهر لتدعم الرشاشة على ظهرك.
2. اضبط كلا حزامي الكتف بشكل مؤقت على أوضاع الحمل المرعبة (الشكل E1)، مع التأكد من ارتياح كوعك.
3. اشبك إبزيم الصدر واضبط طول حزام الصدر عند اللزوم (الشكل E2).
4. اشبك إبزيم الخصر واضبط طول حزام الخصر بحيث تكون المجموعة المحمولة على الظهر مدعومة جيداً بأوراكك (الشكل E3 و E4).

ملاحظة: لا ينبغي وضع المجموعة المحمولة على الظهر في وضع مرتفع على ظهرك؛ بل يجب أن تكون أقرب إلى أوراكك عن أكتافك.

تحذير: عند حدوث حالة طارئة، قم بتحرير إبزيمي الصدر والخصر على الفور لخلع حزام حقيبة الظهر من كل جانب. هذه هي طريقة التحرير السريع.

5. أعد ضبط أحزمة الكتف لمزيد من التأمين والراحة. تأكد من ثبات المجموعة المحمولة على الظهر بشكل آمن على ظهرك، بحيث يكون الوزن مدعوماً بحزام الخصر، ومن دون حركة زائدة عند تحركك (الشكل E5).

تحذير: اتبع دائماً تعليمات الشركة المصنعة للمواد الكيميائية المطبوعة على ملصقات منتجاتها بشأن الاستخدام والتنظيف والتخزين. لا تخطئ المواد الكيميائية المختلفة مع بعضها البعض. نظف الخزان جيداً بعد كل استخدام باتباع التعليمات في قسم «الصيانة» من هذا الدليل. يجب تخزين المواد الكيميائية بعيداً عن متناول الأطفال. لأن عدم اتباع هذه التعليمات قد يتسبب في حدوث إصابات جسدية خطيرة.

تحذير: لتجنب الإصابة وفقدان التوازن، تأكد من أن كمية السائل المضافة إلى الخزان لا تجعل الوزن الإجمالي للرشاشة، بما في ذلك الآلة والسائل في الخزان والفوهة ومجموعة البطارية المستخدمة، يتجاوز 25 كجم.

يجب أن يكون قوام المواد الكيميائية السائلة المراد رشها رقيقاً مثل الماء. حيث إن يمكنك رش السوائل الأكثر سمكاً بشكل صحيح. لا تملأ الخزان بشكل زائد.

1. اخلع مجموعة البطارية.
 2. فك غطاء الخزان عكس اتجاه عقارب الساعة وارفعه عن الخزان.
 3. ضع الرشاشة على سطح مستوي.
 4. املأ الخزان بالكمية المطلوبة من الماء.
 5. حدد الكمية الموصى بها من المادة الكيميائية السائلة.
 6. صب المادة الكيميائية السائلة بعناية في الخزان.
 7. أعد ربط غطاء الخزان على الرشاشة، مع التأكد من ربطه بإحكام.
- يمكن خلط محاليل الرش مسبقاً وصبها في الرشاشة.

تنبيه: إذا كنت تستخدم وعاء قياس لحمل السائل، فتأكد من تنظيف الوعاء وشطفه جيداً بعد الاستخدام. إذا كنت تقوم بخلط محلول الرش مسبقاً، اشطف الحاوية المستخدمة للخلط.

تنبيه: من المهم تنظيف الرشاشة جيداً بعد كل استخدام. قد يؤدي ترك السائل في الرشاشة غير المستخدمة لفترة طويلة إلى تعطل أجزائها المتحركة وموصلاتها.

تركيب/خلع مجموعة البطارية

لا تستخدم الآلة إلا مع مجموعات بطارية وشواحن EGO المدرجة في الشكل A2.

راجع دلائل تشغيل البطاريات والشواحن ذات الصلة للتعرف على مزيد من التفاصيل.

اشحن البطارية بالكامل قبل الاستخدام لأول مرة.

1. ارفع غطاء حجرة البطارية عن طريق رفع الجزء الأمامي من الغطاء (الشكل D1).
2. للتركيب، قم بمحاذاة دعائم البطارية مع فتحات التركيب، واضغط على مجموعة البطارية لأسفل إلى أن تسمع صوت "نقرة" (الشكل D1).
3. للخلع، اضغط على زر تحرير البطارية، واسحب

تنبيه: قد تختلف انبعاثات الاهتزاز أثناء الاستخدام الفعلي للآلة العاملة بالطاقة عن القيمة المعلنة التي يتم استخدام الآلة فيها؛ ولحماية مشغل الآلة، ينبغي على المستخدم ارتداء قفازات وواقبات للأذن في ظروف الاستخدام الفعلية.

قائمة المحتويات (الشكل A1)

الوصف

تعرف على الرشاشة (الشكل A1)

1. الخرطوم
2. حجيرة البطارية
3. الخزان
4. غطاء الخزان
5. مقبض الحمل
6. حمالة دعم قابلة للضبط
7. بكرة السرعة
8. رافعة القفل
9. زناد التشغيل/الإيقاف
10. مقبض التحكم
11. غطاء خارجي
12. عصا الرش
13. فوهة قابلة للضبط
14. فوهة المروحة
15. فوهة الرغوة
16. فوهة الرشاش

التجميع

تنبيه: إذا حدث تلف أو فقد في أي أجزاء، لا تقم بتشغيل هذا المنتج إلا بعد استبدال الأجزاء. استخدام هذا المنتج مع وجود أجزاء تالفة أو مفقود قد يؤدي إلى وقوع إصابات شخصية خطيرة.

تنبيه: لا تحاول إجراء أي تعديلات على هذا المنتج أو ابتداء ملحقات غير موصى بها للاستخدام مع هذا المنتج. أي تغيير أو تعديل من هذا النوع يعتبر سوء استخدام، وقد يؤدي إلى وضع خطير قد يتسبب في وقوع إصابات شخصية خطيرة محتملة.

تنبيه: لمنع بدء التشغيل غير المقصود، والذي قد يؤدي إلى وقوع إصابات شخصية خطيرة، احرص دائمًا على خلع مجموعة البطارية من الآلة عند تجميع الأجزاء، أو عمل التعديلات، أو التنظيف، أو عند عدم استخدام المنتج.

- هذا المنتج يحتاج إلى التجميع.
- قم بإخراج المنتج وأي ملحقات أخرى من الصندوق برفق. تأكد من وجود جميع العناصر الموضحة في "قائمة المحتويات".
- افحص المنتج بعناية للتأكد من عدم حدوث كسر أو تلف في أثناء الشحن.

- لا تتخلص من مكونات التغليف حتى الانتهاء من فحص المنتج بعناية والتأكد من تشغيله كما ينبغي.
- في حالة تلف أي أجزاء أو فقدها، يرجى إعادة المنتج إلى مكان الشراء.

توصيل عصا الرش في مقبض التحكم

1. قم بلف الغطاء الخارجي لعصا الرش على مقبض التحكم واريطه بإحكام في اتجاه عقارب الساعة (الشكل B).
2. اسحب عصا الرش للتأكد من ثباتها في موضعها بإحكام.

التشغيل

تنبيه: لا تسمح لاعتيادك على تشغيل هذا المنتج أن يجعلك مستهترًا عند التعامل معه. ولا تنس أن الاستهتر لجزء من الثانية كافٍ للتسبب في حدوث إصابات خطيرة.

تنبيه: استعمل معدات الوقاية الشخصية. احم عينيك وجدك ورتبتك في أثناء الخلط والماء والرش والتنظيف. قد يؤدي عدم فعل ذلك إلى إصابة جسدية خطيرة وإلحاق الضرر بالممتلكات.

تنبيه: لتجنب الإصابة الجسدية الخطيرة، قم بإزالة مجموعة البطارية من الجهاز قبل الصيانة أو التنظيف أو تغيير الملحقات أو ملء الخزان أو تفريغه.

تنبيه: لا تستخدم أي مرفقات أو ملحقات سوى تلك الموصى بها من قبل الشركة الصانعة لهذا المنتج. لأن استخدام مرفقات أو ملحقات غير موصى بها قد يؤدي إلى وقوع إصابات شخصية خطيرة.

قبل كل استخدام، افحص المنتج بأكمله بحثًا عن الأجزاء التالفة أو المفقودة أو المكسورة، مثل المسامير الملولبة والصواميل والمسامير والأغطية وما شابه. اربط جميع عناصر التثبيت والأغطية بإحكام، ولا تقم بتشغيل هذا المنتج إلا بعد استبدال جميع الأجزاء المفقودة أو التالفة.

الغرض المحدد للاستخدام

يمكنك استخدام هذا المنتج للأغراض الموضحة أدناه:

- توزيع الأسمدة وسقي النباتات.
- رش مبيدات الأعشاب والمبيدات الحشرية ومبيدات الفطريات.

تنبيه: المنتج مصمم للاستخدام البستاني والزراعي فقط.

تنبيه: يجب استخدام المنتج في الأغراض المحددة له فقط. أي استخدام آخر يعد حالة من حالات سوء الاستخدام.

تنبيه: يمكن أن يؤدي التطبيق غير السليم للمواد الكيميائية أو المحاليل إلى إصابة خطيرة أو الوفاة. اتبع تعليمات السلامة وإرشادات الشركة المصنعة للمواد الكيميائية المدرجة في ورقة بيانات السلامة (SDS).

ملء الخزان (الشكل C)

ورقة بيانات السلامة (SDS).

- للحد من خطر التعرض لإصابات، فإن المراقبة للصيقة واجبة عند استخدام الرشاشة بالقرب من الأطفال.
- لا تلمس الأجزاء المتحركة.
- استخدم فقط الملحقات الموصى بها أو التي يتم بيعها من قبل الشركة الصانعة.
- امنع بدء تشغيل الآلة غير المتعمد. احرص على أن يكون مفتاح الطاقة في وضع الإيقاف قبل توصيل الآلة بمجموعة البطاريات، أو التقاط الجهاز أو حمله. إذا حملت الجهاز وإصبعك على مفتاح التشغيل أو إذا شحنت الأجهزة والمفتاح على وضع التشغيل، فقد يؤدي ذلك إلى وقوع حوادث.

احفظ هذه التعليمات

المواصفات

الجهد المقدر	56 فولت ■■■
الحد الأقصى سعة الخزان	15 لترًا
الحد الأقصى لضغط العمل	24 بار
الحد الأقصى لمعدل تدفق الرش (مع فوهة قابلة للضغط، وضع الرش)	2.3 لتر/دقيقة
قطر مرشح المدخل	35 مم
حجم شبكة مرشح المدخل	0.35 مم
قطر مرشح المخرج	124 مم
الوزن (الوزن الجاف، من دون مجموعة البطارية)	7.6 كجم
درجة حرارة التشغيل الموصى بها	5 - 40 درجة مئوية
درجة حرارة التخزين الموصى بها	20- 70 درجة مئوية
درجة حرارة الشحن الموصى بها	5 - 40 درجة مئوية

⚠ **تحذير:** قبل استخدام الرشاشة المحمولة على الظهر، تأكد من أن الوزن الإجمالي، بما في ذلك الآلة، والسائل في الخزان، والفوهة، ومجموعة البطارية المستخدمة، لا يتجاوز 25 كجم لتجنب الإصابة وفقدان التوازن.

- القيمة الكلية للاهتزاز الموضحة تم قياسها وفقاً لطريقة اختبار قياسية وقد تستخدم لمقارنة أداة بأخرى؛
- كما يمكن استخدام القيمة الكلية للاهتزاز الموضحة في التقييم التمهيدي للتعرض.

- لا ترش المساحيق أو المواد الكيميائية الكاشطة.
- لا ترش السوائل الكاوية (القلوية) أو السوائل ذاتية التسخين.
- لا تستخدم المواد الكيميائية الضارة بالبيئة التي لا يُسمح بها كما هو مقرر في اللوائح المحلية.
- لا توجه فوهة الرشاشة في اتجاه الناس أو الحيوانات الأليفة.
- لا تسمح أبداً باستخدام الآلة بواسطة الأطفال، أو الأشخاص المصابين بإعاقة بدنية أو حسية أو عقلية، أو من ليست لديهم خبرة ومعرفة، أو الأشخاص غير المعتادين على تلك التعليمات.
- المشغل أو المستخدم هو المسؤول عن وقوع أي حوادث أو مخاطر يتعرض لها أشخاص آخرون أو يتعرض لها ممتلكاتهم.
- يجب استخدام الرشاشة فقط مع منتجات حماية النباتات المعتمدة من قبل السلطات التنظيمية المحلية/الوطنية لمنتجات حماية النباتات للاستخدام مع الرشاشات المحمولة على الظهر.
- خطر حقن المواد في الجلد. لا تفرغ المادة مباشرة على الجلد. أبق جميع أجزاء الجسم بعيداً عن مسار الرش.
- لا تترك بقايا أو مواد رش في الخزان بعد استخدام الرشاشة. نظف الجهاز بعد كل استخدام.
- لتقليل خطر الحريق أو الانفجار، استخدم سائلاً بدرجة اشتعال أعلى من 60 درجة مئوية.
- للحد من خطر الصدمة الكهربائية، لا تضع الرشاشة في الماء أو أي سائل آخر. لا تقم بوضع الرشاشة أو تخزينها في مكان قد تتعرض فيه إلى السقوط أو السحب في حوض استحمام أو بالوعة.
- حافظ على هذا المنتج. افحص بعناية كل من السطحين الداخلي والخارجي للرشاشة وتحقق من المكونات قبل كل استخدام. تحقق من وجود أي تشققات أو تلف في الخزان، أو تسريبات، أو فوهات مسدودة، أو أجزاء مفقودة أو تالفة. وإذا كان هناك تلف، فأصلح المنتج قبل الاستخدام. فالعديد من الحوادث تحدث بسبب المنتج الذي لا يتم صيانته بشكلٍ منتظم.
- انقل مفتاح الطاقة إلى وضع الإيقاف عندما لا تكون الرشاشة قيد الاستخدام وقيل الصيانة أو التنظيف.
- أفضل البطارية عن الوحدة قبل تصريف السائل من الرشاشة أو تنظيف الرشاشة أو تخزينها. إجراءات السلامة الوقائية هذه تحد من خطر بدء التشغيل غير المقصود.
- ارتد بشكل دائم أدوات حماية العينين المزودة بواقيات على الجانبين أو نظارات حماية. قد ينجم عن عدم الامتثال لذلك دخول سوائل في عينيك، وهو ما قد يؤدي إلى احتمال وقوع إصابات خطيرة.
- احرص على حماية ربتيك. ارتد معدات السلامة المعتمدة مثل الأقفال الواقية التي تم تصميمها خصيصاً لتصفية الرذاذ، والفقاير، وغيرها من معدات الحماية المناسبة. يساعد الامتثال لتلك التعليمات في تقليل خطر حدوث إصابة خطيرة. اتبع تعليمات السلامة وإرشادات الشركة المصنعة للمواد الكيميائية المدرجة في ورقة بيانات السلامة (SDS).
- يمكن أن تكون المواد الكيميائية والأبخرة الكيميائية خطيرة وتسبب إصابات خطيرة أو أضرار دائمة أو وفاة إذا تم تناولها أو استنشاقها أو رشها في العينين أو على الجلد. اتبع تعليمات السلامة وإرشادات الشركة المصنعة للمواد الكيميائية المدرجة في

اللاسلكية

⚠️ خطر: خطر حدوث حريق أو انفجار. لا ترش السوائل القابلة للاشتعال مثل البنزين.

⚠️ تحذير:

- لتجنب الإصابة، ارتد دائماً أدوات حماية للعينين والجهاز التنفسي والجلد.
- للحد من خطر التعرض لصدمة كهربائية، لا تعرض المنتج للمطر.
- للاستخدام في الأماكن الدخلية والخارجية المفتوحة فقط.
- لا ترش السوائل القابلة للاشتعال أو الاحتراق في منطقة ضيقة.
- عند رش سائل قابل للاحتراق، يكون هناك خطر نشوب حريق أو حدوث انفجار، خاصة في منطقة مغلقة.
- يجب أن تكون منطقة الرش جيدة التهوية.
- لا تدخن في أثناء الرش لأن هذا قد يتسبب في حدوث شرر أو نشوب لهب.
- قبل ملء الخزان، قم دائماً بإزالة مجموعة البطارية. امسح أي انسكابات قبل إدخال مجموعة البطارية. سوف يقلل اتباع هذه القاعدة من خطر الصدمة الكهربائية ودخول السوائل المسببة للتآكل إلى داخل مجموعة البطارية، مما قد يؤدي إلى تعطل مجموعة البطارية، بما في ذلك حدوث ماس كهربائي، مما يتسبب في انطلاق دخان، أو نشوب حريق، أو حدوث إصابة جسدية خطيرة.
- لا تسمح للسوائل الموصلة للكهرباء أو المسببة للتآكل بالدخول إلى داخل مجموعة البطارية. إذا انسكبت سائل موصلة للكهرباء أو مسببة للتآكل على مجموعة البطارية، فارجع إلى التعليمات في دليل تشغيل مجموعة البطارية الخاص بك.
- قبل استخدام مواد الرش في هذه الرشاشة، اقرأ الملصق على العبوة الأصلية للمادة جيداً واتباع تعليماته. بعض مواد الرش خطيرة ولا ينبغي استخدامها في هذه الرشاشة، لأنها يمكن أن تلحق الضرر بالرشاشة وتسبب إصابات جسدية خطيرة أو أضرار بالممتلكات.
- اعرف محتويات المادة الكيميائية التي يتم رشها. اقرأ جميع أوراق بيانات السلامة (SDS) وملصقات الحاويات المرفقة مع المادة الكيميائية. اتبع تعليمات السلامة المقدمة من الشركة المصنعة للمادة الكيميائية.
- خطر التعرض لصدمة كهربائية. لا ترش باتجاه المنافذ الكهربائية.
- لا تصب السوائل الساخنة أو المغلية في الخزان. لأنها قد تصدق أو تتلف الأنابيب أو الخزان.
- تجنب الرش في الأيام العاصفة. لأنه يمكن أن يتم رش المادة عن طريق الخطأ على النباتات أو الأشياء التي لا ينبغي رشها.
- يجب تخزين الرشاشة في مكان داخلي آمن وجيد التهوية مع خزان السائل وهو فارغ.
- لا ترش المبيض أو بيروكسيد الهيدروجين.
- لا ترش المواد الكيميائية التي تحتوي على الكحول.

■ استخدم الآلة والملحقات واللقم وما شابههم وفقاً لهذه التعليمات، مع الأخذ في الاعتبار بظروف العمل والأعمال التي سيتم تنفيذها. قد يؤدي استخدام الآلة في أعمال غير تلك المخصصة لها إلى حوادث خطيرة.

■ احتفظ بالمقايض وأسطح الإمساك جافة ونظيفة وخالية من الزيوت والشحوم. لأن المقايض وأسطح الإمساك المنزلة لا تمنحك القدرة على التعامل والتحكم الآمنين في الآلة في المواقف غير المتوقعة.

استخدام الآلة العاملة بالبطارية والعناية بها

- لا تُعد شحن الآلة إلا باستخدام الشاحن المحدد بواسطة الشركة الصانعة. فالشاحن الملائم لنوع ما من مجموعات البطارية قد يتسبب في نشوب حريق إذا تم استخدامه مع مجموعة بطارية أخرى.
- استخدم الآلات مع مجموعات البطارية المخصصة لها فقط. لأن استخدام أي مجموعات بطارية أخرى قد يؤدي إلى التعرض لإصابات أو نشوب حريق.
- عند عدم استخدام مجموعة البطارية، احتفظ بها بعيداً عن الأغراض المعدنية الأخرى مثل مشابك الأوراق أو العملات المعدنية أو المفاتيح أو المسامير أو البراغي أو الأغراض المعدنية الصغيرة الأخرى التي قد يتسبب في عمل دائرة قصر (ماس كهربائي) بين أقطاب البطارية. لأن عمل دائرة قصر (ماس كهربائي) بين أطراف البطارية قد يتسبب في حروق أو نشوب حريق.
- في حالات التعامل السيء، قد يحدث ارتشاح للسوائل من البطارية؛ لا تلامسه. إذا حدثت ملامسة بشكل عرضي، فاغسلها بالماء. إذا لامس السائل العينين، فاطلب المساعدة الطبية على الفور. السائل المرشّح من البطارية قد يتسبب في حدوث اهتياج في الجلد أو حروق.
- لا تستخدم مجموعة البطارية أو الآلة إذا كانا تالفيين أو تم إدخال تعديلات عليهما. لأن البطاريات التالفة أو التي تم تعديلها قد تعمل بشكل غير متوقع، وهو ما قد يؤدي لنشوب حريق أو حدوث انفجار أو خطر التعرض لإصابة.
- لا تقم بتعريض مجموعة البطارية أو الآلة للحريق أو درجات الحرارة الزائدة. التعرض لدرجات الحرارة الأعلى من 130 درجة مئوية قد يؤدي لحدوث انفجار.
- اتبع تعليمات الشحن ولا تشحن مجموعة البطارية أو الآلة في نطاق درجة حرارة خارج النطاق المحدد في التعليمات. قد يؤدي الشحن غير المضبوط أو في درجات حرارة خارج النطاق المسموح به إلى تلف البطارية وخطر نشوب حريق.

الصيانة

- ينبغي إجراء الصيانة على الآلة بواسطة فني إصلاح متخصص باستخدام قطع غير أصلية مطابقة فقط. فهذا سيضمن المحافظة على سلامة الآلة.
- لا تقم بصيانة مجموعات البطارية التالفة بأي حال من الأحوال. بل ينبغي أن تكون صيانة مجموعات البطارية من خلال الشركة الصانعة أو مقدمي الخدمة المعتمدين فقط.

تعليمات السلامة الخاصة بالرشاشة

تحذيرات السلامة العامة

- استعن بمعدات الحماية الشخصية. وارتد دائماً أدوات حماية للعينين. سيؤدي استخدام أدوات الحماية كقناع الغبار أو أذنية السلامة المضادة للاهتزاز أو القبعة الصلبة أو أدوات حماية السمع في ظروف مناسبة إلى الحماية من الإصابات الشخصية.
- امنع بدء تشغيل الآلة غير المتعمد. احرص على أن يكون مفتاح الطاقة في وضع الإيقاف قبل توصيل الآلة بمصدر التيار أو مجموعة البطاريات، أو التقاط الآلة أو حملها. إذا حملت الآلات وأصبعك على مفتاح التشغيل أو إذا شحنتها والمفتاح على وضع التشغيل، فقد يؤدي ذلك إلى وقوع حوادث.
- أزل أي مفتاح تعديل أو مفتاح ربط قبل تشغيل الآلة. قد يؤدي ترك مفتاح ربط أو مفتاح عادي مركباً على جزء دوار بالآلة إلى وقوع إصابات شخصية.
- لا تقف في مكان تُضطر لمد يديك بعيداً. قف وأنت ثابت ومتوازن في جميع الأوقات. وهو ما يسمح بتحكم أفضل في الآلة في الظروف غير المتوقعة.
- ارتد الملابس الملائمة. لا ترتد ملابس أو مجوهرات غير ثابتة. احتفظ بشعرك وملابسك بعيداً عن الأجزاء المتحركة. قد تعلق الملابس الفضفاضة أو المجوهرات أو الشعر الطويل في الأجزاء المتحركة.
- إذا تم تقديم أجهزة خاصة بتوصيل أدوات استخراج وجمع الغبار، فأحرص على توصيلها واستخدامها على النحو اللازم. قد يؤدي استخدام جمع الغبار إلى الحد من المخاطر المرتبطة به.
- لا تدع الخبرة المكتسبة من الاستخدام المتكرر للآلات يجعلك تتعامل من دون الانتباه اللازم وتتجاهل مبادئ السلامة المتعلقة بالآلة. فقد يتسبب أي إجراء غير مدروس في إصابات خطيرة في جزء من الثانية.
- استخدام الآلة والعناية بها
 - لا تجبر الآلة على أعمال تفوق قدرتها. استخدم الآلة الملائمة لأعمالك. ستقوم الآلة الملائمة بأداء أعمالك بشكل أفضل وأكثر أمناً بالمعدل الذي أعدت له.
 - لا تستخدم الآلة إذا كان مفتاح التشغيل لا يمكن نقله إلى وضع التشغيل أو وضع الإيقاف. أي آلة لا يمكن التحكم فيها بمفتاح التشغيل تعتبر خطيرة ويجب إصلاحها.
 - افصل القابس من مصدر التيار و/أو اخلع مجموعة البطاريات -إذا كانت قابلة للخلع- من الآلة قبل إجراء أي تعديلات أو تغيير ملحقات أو تخزين الآلات. إجراءات السلامة الوقائية هذه تحد من خطر تشغيل الآلة بشكل خاطئ.
 - خزن الآلات غير المستخدمة بعيداً عن متناول أيدي الأطفال ولا تسمح للأشخاص غير المعتادين على استخدام الآلة أو على هذه التعليمات بتشغيل الآلة. فالآلات تكون خطيرة في أيدي الأشخاص غير المدربين.
 - حافظ على الآلة والملحقات. تحقق من عدم محاذة الأجزاء المتحركة أو ربطها، أو وجود كسور في الأجزاء، أو أي حالة أخرى قد تؤثر على عمل الآلة. إذا كان هناك تلف، فقم بإصلاح الآلة قبل استخدامها. فالعديد من الحوادث تحدث بسبب الآلات التي لا تتم صيانتها بشكل منتظم.
 - احتفظ بالأدوات القاطعة حادة ونظيفة. الأدوات القاطعة التي تتم صيانتها كما ينبغي للاحتفاظ بحوافها القاطعة حادة تكون أقل عرضة للانحناء وسهل التحكم فيها.

⚠ تحذير: اقرأ جميع تحذيرات السلامة والتعليمات والرسوم التوضيحية والمواصفات المرفقة مع هذه الآلة. عدم اتباع جميع التعليمات الواردة أعلاه قد يؤدي إلى حدوث صدمة كهربائية أو نشوب حريق أو التعرض للإصابة، أدها أو جميعها.

احتفظ بجميع التحذيرات والتعليمات للرجوع إليها في المستقبل.

يشير مصطلح "الآلة" في قسم التحذيرات إلى الآلة العاملة بالتيار (الموصولة بسلك تيار) أو الآلة العاملة بالبطارية (غير الموصولة بسلك تيار).

سلامة منطقة العمل

- حافظ على منطقة العمل نظيفة ومضاءة جيداً. حيث عادة ما تتسبب المناطق المظلمة أو التي بها ركام إلى وقوع حوادث.
- لا تقم بتشغيل الآلات في أجواء قابلة للانفجار، على سبيل المثال في وجود سوائل أو غازات أو غبار قابلة للاشتعال. فقد تتسبب الآلات في صدور شرارة، والتي قد تتسبب في اشتعال الغبار أو الأبخرة القابلة للاشتعال.
- احتفظ بالأطفال والمشاهدين بعيداً عن موقع استعمال الآلة. حيث إن الإلهاءات قد تجعلك تفقد السيطرة على الآلة.

السلامة الكهربائية

- ينبغي أن يتوافق قابس الآلة مع مقيس التيار. لا يجب إدخال تعديلات على القابس بأي حال من الأحوال. لا تستخدم أي قوايس مهيانة مع الآلات الموزعة. ستؤدي القوايس غير المُعلَّلة والمقابس المتوافقة إلى الحد من خطر حدوث صدمة كهربائية.
- تجنب ملامسة الجسم لأسطح موزعة مثل الأتياب والمشعاع والمواقد والثلاجات. هناك خطر متزايد لحدوث صدمة كهربائية إذا كان جسمك موزعاً.
- لا تقم بتعرض الآلات للمطر أو الأجواء الرطبة. حيث سيؤدي الماء الذي يدخل إلى الآلة إلى زيادة خطر حدوث صدمة كهربائية.
- لا تعبت بسلك التيار. لا تقم أبداً باستخدام سلك التيار لحمل الآلة أو سحبها أو فصلها عن التيار. احتفظ بالسلك بعيداً عن مصادر الحرارة أو الزيت أو الحواف الحادة أو الأجزاء المتحركة. تؤدي أسلاك التيار التالفة أو المتشابكة إلى زيادة خطر حدوث صدمة كهربائية.

عند تشغيل آلة في مكان خارجي مفتوح، استخدم سلك تمديد ملائم للاستخدام الخارجي. استخدم سلك ملائم للاستخدام الخارجي يحد من خطر حدوث صدمة كهربائية.

إذا كان لابد من تشغيل الآلة في مكان رطب، فاستخدم مصدر تيار محمي بقاطع تيار متبقي (RCD). يؤدي استخدام قاطع التيار المتبقي إلى الحد من خطر حدوث صدمة كهربائية.

السلامة الشخصية

- ابق منتبهاً، وانتبه جيداً لما تفعله، وكن عقلانياً عند تشغيل الآلة. لا تستخدم أي آلة وأنت مجهد أو تحت تأثير المخدرات أو الكحوليات أو الأدوية. قد تؤدي لحظة من عدم الانتباه أثناء تشغيل الآلات إلى حدوث إصابات شخصية خطيرة.

اقرأ جميع التعليمات!



تحذير: لضمان السلامة والاعتمادية، يجب تنفيذ جميع أعمال الإصلاح من قبل فني خدمة مؤهل.

تحذير: احرص على قراءة وفهم جميع تعليمات السلامة في دليل التشغيل هذا، بما في ذلك جميع رموز تنبيهات السلامة، مثل "خطر"، و"تحذير"، و"تنبيه" قبل استخدام هذه الآلة. عدم اتباع جميع التعليمات الواردة أدناه قد يؤدي إلى حدوث صدمة كهربائية أو نشوب حريق أو التعرض للإصابة الشخصية، أحدها أو جميعها.

احتفظ بجميع التحذيرات والتعليمات للرجوع إليها في المستقبل.

رموز السلامة

تحذير: قد يؤدي تشغيل أي آلة عاملة بالطاقة إلى دخول أي أشياء غريبة في عينيك، وهو ما قد يؤدي إلى إلحاق أضرار خطيرة بالعين. قبل بدء تشغيل الآلة العاملة بالطاقة، احرص دائمًا على ارتداء واقبات العينين أو نظارات حماية العينين ذات الدروع الجانبية، ودرع واق كامل الوجه عند اللزوم. نوصي بارتداء قناع السلامة واسع الرؤية لاستخدامه فوق نظارات العين أو نظارات السلامة العادية ذات الدروع الجانبية.

للحد من خطر الإصابة، يجب على المستخدم قراءة وفهم دليل التشغيل قبل استخدام هذا المنتج.



تنبيه سلامة



أبعد المراقبين بعيدًا عند الرش.



ارتد ملابس واقية.



هذا المنتج متوافق مع توجيهات شهادة الجودة الأوروبية (CE) المعمول بها.



ارتد قناع الوجه.



هذا المنتج متوافق مع تشريعات المملكة المتحدة المعمول بها.



مستوى قوة الصوت المضمن. انبعاثات الضوضاء في البيئة وفقًا لتوجيه الاتحاد الأوروبي.



الحماية من تناثر الماء IPX4

لا يجب التخلص من الأجهزة الكهربائية المستهلكة في النفايات المنزلية. توجه بالجهاز إلى مركز إعادة تدوير معتمد.



في الدقيقة min/..

تيار مستمر



السرعة بدون حمل ρ_n

الجهد الكهربائي V

مليمتر mm

איתור וטיפול בבעיות

בעיה	סיבה	פתרון
המנוע איננו מתחיל את פעולתו.	<ul style="list-style-type: none"> מארז הסוללה אינו מוכנס כראוי לתא הסוללה. לא מתבצע חיבור חשמלי בין המפוח למארז הסוללה. טעינת מארז הסוללה ריקה. מארז הסוללה או התרסיס חמים מדי. 	<ul style="list-style-type: none"> בדקו אם מארז הסוללה הוכנס במלואו לתא הסוללות. הסירו את מארז הסוללה, בדקו את החיבורים והתקינו מחדש את מארז הסוללה. הטעינו את מארז הסוללה. כבו את התרסיס ואפשרו למארז הסוללות או לתרסיס להתקרר עד שהטמפרטורה תרד לטווח טמפרטורות ההפעלה המומלץ.
המנוע פועל אבל שום רסס לא יוצא מהפייה.	<ul style="list-style-type: none"> רמת נוזלים נמוכה במיכל. הפייה נסתמה במהלך הפעולה. 	<ul style="list-style-type: none"> בדקו וודאו שיש מספיק נוזלים במיכל. נקו את הפיות בהתאם לפרק „תחזוקת הפייה” והרכיבו אותן מחדש בהתאם להוראות.
נוזלים דולפים בין ידית הבקרה לידיית התרסיס.	<ul style="list-style-type: none"> מכסה הקצה של ידית הריסוס רופף. 	<ul style="list-style-type: none"> הדקו את מכסה הקצה.
נוזל דולף בין ידית התרסיס לבין הפייה.	<ul style="list-style-type: none"> הפייה רופפת או מותקנת באופן שגוי. 	<ul style="list-style-type: none"> התקינו מחדש את הפייה בצורה נכונה והדוקה בהתאם לפרק „כונן והחלפת הפיות”.

אחריות

מדיניות האחריות של EGO

ניתן לבקר באתר egopowerplus.eu כדי לעיין בתנאים וההתניות המלאים של מדיניות האחריות של EGO.

הודעה: לפני האחסון, במיוחד לפני החורף, הקפידו לרוקן את המיכל, הצינור וידית הריסוס כדי למנוע מהמכונה לקפוא ולהיזק, מה שיגרם לה לא לפעול לאחר החורף.

■ הדקו את ידית התריסים בבסיס ואת תפס האחסון.

J-1	אטב אחסון	J-3	ידית נשיאה
J-2	בסיס		

- הרימו את התריסים בידידת הנשיאה או נשאו אותם באמצעות רתמת התמיכה בעת הובלתו.
- אחסנו את התריסים בתוך מבנה, במקום מאוורר היטב.
- הרחיקו מחומרים הגורמים לקורוזיה כגון כימיקלים לגינה ומלחים מסירי קרח.

הגנה על הסביבה

אין לזרוק ציוד חשמלי, מטעני סוללות וסוללות ביחד עם אשפה ביתית!
קחו מוצרים אלו למרכז מחזור מוסמך ו-וודאו שהם זמינים לאיסוף נפרד. יש להחזיר כלים חשמליים אל מתקן מחזור המתאים לסביבה.



■ הניחו לכל החלקים להתייבש לחלוטין לפני הרכבה מחדש ואחסון היחידה.

תחזוקת הפייה

⚠ אזהרה: ודאו שכל תחזוקת הפייה מבוצעת כראוי כדי למנוע דליפות מים. דליפות עלולות ליצור משטח חלקלק שעלול ליצור סכנת החלקה ונפילה או לגרום לנזק לרכוש.

דפוסי ריסוס לא סדירים או נזילה עשויים להיות תוצאה של פייה סתומה או מלוכלכת.

1. כבו את התריסים והסירו את מארז הסוללה.

2. **לניקוי הפייה המתכוננת (איור 11):**

א. פתחו את הברגים והסירו את החלק המסורג (בעל המרקם) של הפייה המתכוננת.

ב. דחפו חוט דק (לא כלול) דרך החורים הצולבים כדי לפנות לכלוך. במידת הצורך, שטפו את החורים הצולבים ואת הפייה במים נקיים.

ג. נגבו את הפייה במטלית יבשה נקיה והתקינו מחדש את הפייה.

3. **לניקוי המאוורר ופיית הקצף (איור 12):**

א. פתחו את הבורג והסירו את הפייה מידידת הריסוס.

ב. דחפו חוט דק (לא כלול) דרך החור כדי לפנות לכלוך. במידת הצורך, שטפו את הפייה במים נקיים.

ג. נגבו את הפייה במטלית יבשה נקיה והתקינו מחדש את הפייה.

הובלה ואחסון (איור J)

■ הסירו את מארז הסוללה.

■ סובבו את החוגה המהירה למצב כבוי (נקודה אדומה על החוגה מצביעה לכיוון ידית הריסוס).

■ נקו את התריסים ביסודיות.

■ רוקנו את המיכל, הצינור וידית הריסוס.

חום מוגזם יכול לאדות את התרסיס לפני שהוא שוקע.

קצב זרימה של פיות שונות המגיעות עם התרסיס:

	קצב זרימה נומינלי (ליטר לדקה)	לחץ עבודה מרבי (ליטר לדקה)	לחץ עבודה אופטימלי (ליטר לדקה)
פייה מתכוננת	2.3	2.7	2.4
פיית מאורר	2.3	2.7	2.4
פיית מקלחת	2.3	2.9	2.7
פייה מקציפה	2.3	2.7	2.4

תחזוקה

⚠ אזהרה: במקרה של עבודות תיקון, השתמש רק בחלקי חילוף זהים. שימוש בחלקי חילוף אחרים עלול לגרום לסכנה או נזק למוצר. על מנת להבטיח בטיחות ואמינות, יש לבצע את כל התיקונים וההחלפות בעזרת טכנאי שירות מוסמך.

⚠ אזהרה: כדי למנוע פגיעה גופנית חמורה, הסירו את מארז הסוללות מהתרסיס לפני טיפול, ניקוי, החלפת פיות, ביצוע תחזוקה כלשהי או כאשר התרסיס אינו בשימוש. תרסיס המונע על ידי סוללות עם הסוללה מוחדרת הוא כלי שתמיד מוכן לפעולה והפעלה מקרית עלולה להתרחש.

תחזוקה כללית

כל פעולות השירות של התרסיס, מלבד אלו המפורטות בהוראות תחזוקה אלה, צריכות להתבצע על ידי טכנאי שירות מוסמך.

ניקיון

הימנע משימוש בממסים כאשר אתה מנקה את חלקי הפלסטיק. רוב חלקי הפלסטיק עלולים להיזק מסוגים שונים של ממסים מסחריים ועל ידי השימוש בהם. השתמשו במטלית נקיה על מנת להסיר לכלוך, אבק, שמן, חומר סיכה וכו'.

⚠ אזהרה: לעולם אל תאפשר לנוזלי בלימה, בנזין, מוצרים מבוססי בנזין, שמנים וכו', לבוא במגע עם חלקי הפלסטיק. חומרים כימיים עלולים להזיק, להחליש או להרוס את הפלסטיק והדבר עלול לגרום לפגיעה אישית חמורה.

⚠ אזהרה: בעת ניקיון התרסיס, אין להטביל במים או בנזלים אחרים.

⚠ אזהרה: יש להקפיד תמיד על אחסון וסילוק נאותים של כימיקלים. סילוק מי שטיפה מזוהמים צריך להתבצע על פי תקנות מקומיות וחוקי עזר.

- אם נשאר נוזל במיכל לאחר הריסוס, יש לנקז את המיכל לפני הניקוי.
- השתמשו תמיד רק במטלית רכה ויבשה לניקוי מחוץ למיכל; לעולם אין להשתמש בחומר ניקוי או אלכוהול.
- מלאו כשליש מהמיכל במים נקיים. יש לרסס עד לריקון המיכל. הקפידו לכוון את התרסיס לאזור שלא ייפגע מתמיסת הריסוס.
- מלאו מחדש וחזרו על התהליך במים נקיים. ייתכן שיהיה צורך לשטוף את המיכל יותר מפעם אחת, ולאחר מכן לנקז שוב לפי ההוראות לעיל.

ריסוס כימיקלים לבית ולגן (איור H)

⚠ אזהרה: לעולם אין לכוון את פיית הריסוס לעצמך או לאחרים.

⚠ אזהרה: לעולם אין לעשן, לאכול או לשתות בזמן הפעלת התרסיס.

⚠ אזהרה: לעולם אין לרסס לכיוון אנשים או בעלי חיים; יש לרסס תמיד כלפי מטה.

⚠ אזהרה: סיכון לשריפה או פיצוץ. אזור הריסוס חייב להיות מאוורר היטב והרחק מניצוצות או להבות.

1. התקינו את מארז הסוללה.
2. סובבו את החוגה המהירה כדי להגדיר את קצב הזרימה הרצוי.
3. כוונו את פיית הריסוס ישירות אל הצמחים או החפצים שברצונכם לרסס.

הערה: הקפידו לעמוד מספיק רחוק מהחפץ שרוסס כדי למנוע מהתרסיס להתיז בחזרה עליכם.

4. שחררו את ההדק על מנת להפעיל את התרסיס.
5. שחררו את ההדק כדי לעצור את התרסיס.
6. יש לנקז ולנקות תמיד את המיכל לאחר כל שימוש לפי ההוראות בסעיף „תחזוקה“.

עצות להפעלה

- התאימו את רצועות הכתפיים של הרתמה, כך שהמרסס יושב מעל המותניים והגופייה צמודה לגב.
- יש להימנע מריסוס בימים עם רוח סוערת. הריסוס עלול לעוף בטעות על צמחים או חפצים שאין לרסס.
- יש לרסס בשעות הבוקר המוקדמות או בשעות אחר הצהריים המאוחרות, במיוחד במזג אוויר חם יותר.

להתאמת רמתת המתיכה

1. השחילו את זרועותיכם לרצועות תיק הגב כדי לתמוך בתרסיס על גבכם.
 2. התאימו באופן זמני את רצועות שתי הכתפיים לתנוחה נוחה (איור E1) והבטיחו את נוחות המרפק שלכם.
 3. הצמידו את אבזם החזה והתאימו את אורך רצועת החזה אם יש צורך בכך (איור E2).
 4. הצמידו את אבזם המותניים וכווננו את אורך רצועת המותניים כך שהתרמיל ייתמך היטב באמצעות הירכיים (איור E3 ו-E4).
- הערה: תיק הגב אינו אמור לשבת במיקום גבוה מידי על גבכם, עליו להיות מונח קרוב יותר למותניים מאשר לכתפיים.

⚠ אזהרה: במקרה חירום, שחררו מיד את אבזמי החזה והמותניים כדי להסיר את רצועת התרמיל מכל צד. זוהי שיטת שחרור מהיר.

5. התאימו מחדש את רצועות הכתף לבטיחות ונוחות. וודאו שתיק הגב יושב בבטחה על גבכם, כשהמשקל נתמך על ידי רצועת המותן, וללא תזוזה יתירה כאשר אתם זזים (איור E5).
6. הכניסו את כל האורך העודף של הרצועה סביב המותן לתוך הרצועה האלסטית בשני הצדדים (איור E6).
7. כדי להוריד את התרמיל מגבכם, פשוט לחצו את אבזמי החזה והמותן כדי לשחרר אותם ולהוריד את התרסיס (איור E7).

הפעלה/כיבוי של התרסיס (F איור)

חוגת מהירות

1. כדי להגביר את קצב הזרימה, סובבו את החוגה המהירה בכיוון השעון.

F-1	חוגת מהירות	F-3	הפעלה/כיבוי של ההדק
F-2	ידית נעילה		

2. כדי להקטין את קצב הזרימה, סובבו את החוגה המהירה נגד כיוון השעון.
3. המשיכו לסובב את חוגת המהירות/נעילה נגד כיוון השעון עד למצב הכבוי „OFF” כדי לכבות את המכשיר.

⚠ אזהרה: כדי למנוע התנעה לא מכוונת, סובבו את החוגה המהירה למצב כבוי (נקודה אדומה על החוגה מצביעה לכיוון ידית הריסוס).

⚠ אזהרה: לפני אחסון המכונה, השארתה למשך זמן רב, או החלפת מארז הסוללות, סובבו תמיד את החוגה

המהירה למצב כבוי (נקודה אדומה על החוגה מצביעה לכיוון ידית הריסוס).

הפעלה/כיבוי של ההדק

1. לחצו על הדק ההפעלה/כיבוי כדי להפעיל את התרסיס.
2. שחררו את הגורם המפעיל כדי לעצור את הזרימה.

ידית נעילה

השימוש בידית הנעילה הוא נוח בעת ריסוס לפרק זמן ממושך או בעת כיסוי שטח גדול.

1. כדי לנעול את הדק ההפעלה/כיבוי, לחצו על ידית הנעילה לאחר לחיצה על ההדק.
2. כדי לשחרר את הדק ההפעלה/כיבוי, לחץ על ידית הנעילה.

הודעה: ודאו שההדק אינו נעול לפני הכנסת מארז הסוללות לתרסיס.

כווננו והחלפת הפיות

⚠ אזהרה: כדי למנוע פגיעה גופנית חמורה, הסירו את מארז הסוללות לפני כווננו או החלפת הפיות.

התרסיס מגיע עם ארבע פיות: פייה מתכווננת, פיית מאוורר, פיית מקלחת ופיית קצף. החלף את הפייה לפני שתחיל לעבוד כך שתתאים למשימה שעל הפרק.

פייה מתכווננת (איור G1): ריסוס נקודתי של ערוגות פרחים, שבילים, גישה, פטיו וסביב עצים ושיחים. שוליים לאורך גדרות, שבילי גישה ושבילים. מברשת הריגה.

פיית מאוורר (איור G3): תרסיס שטוח לכיסוי רחב מאוד ונוזלים בעלי צמיגות גבוהה יותר. הכנת שטחים גדולים לשתייה.

G-1	פיית מאוורר	G-3	פייה מקציפה
G-2	פיית מקלחת		

פיית מקלחת (איור G3): מוציאה זרימה גבוהה יותר של מים להשקיה וטיפול בצמחים.

פייה מקציפה (איור G3): מסמנת באופן גלוי עשבים שוטים מטופלים. ריסוס נקודתי של עשבים שוטים בדשא, סביב ערוגות פרחים, עצים ושיחים. סידור שוליים לאורך גדרות, שבילי גישה ושבילים.

ניתן לכוון את הפייה המתכווננת בין הזרם לרסס (איור G1).

1. סובבו את החלק המסורג (בעל המרקם) של הפייה נגד כיוון השעון לקבלת זרם.

2. סובבו את החלק המסורג (בעל המרקם) של הזרבובית בכיוון השעון לריסוס.

פתחו את כל הפייה נגד כיוון השעון כדי להסיר ולהחליף את הזרבובית (איור G2).

שימוש. אם אתם מערבים מראש את תמיסת הריסוס, שטפו את המיכל המשמש לערבוב.

הודעה: חשוב לנקות היטב את התרסיס לאחר כל שימוש. מתן אפשרות לנוזל להישאר בתרסיס שאינו נמצא בשימוש למשך פרק זמן ממושך עלול לגרום לחלקים ולמחברים הנעים שלו להיתקע.

הצמדה/הסרה של מארז הסוללה

יש להשתמש רק במארזי הסוללה והמטענים של EGO המפורטים באיור A2.

עיינו במדריכי הסוללות והמטענים התואמים לפרטים נוספים.

יש לבצע הטענה מלאה לפני השימוש הראשון.

1. הרימו את מכסה תא הסוללות על ידי הרמת החלק הקדמי של המכסה (איור D1).
2. **להצמדה,** יישרו את עורקי הסוללה עם חריצי ההרכבה ולחצו את מארז הסוללה כלפי מטה עד הישמע "קליק" (איור D1).
3. **לניתוק,** לחצו על כפתור שחרור הסוללה והוציאו את מארז הסוללה (איור D2).
4. סגרו את מכסה תא הסוללות.

⚠ אזהרה: תמיד היו מודעים אל המיקום של הרגליים שלכם, ילדים או חיות מחמד, בעת לחיצה על כפתור שחרור הסוללה. עלולה להיגרם פציעה חמורה אם מארז הסוללה ייפול. לעולם אל תסירו את מארז הסוללה במקומות גבוהים.

⚠ אזהרה: ודאו שהתפס של התרסיס נצמד למקומו, שמארז הסוללות מאובטח לתרסיס ומכסה תא הסוללה סגור לחלוטין לפני תחילת הפעולה. אי השבתה מאובטחת של ערכת הסוללה עלולה לגרום לנפילת ערכת הסוללה, וכתוצאה מכך לפציעה חמורה.

⚠ אזהרה: כדי למנוע פציעה אישית חמורה, הוציאו תמיד את מארז הסוללה והרחיקו את ידיכם מידיהם הבקרה בעת נשיאה או שינוע של התרסיס.

הצבת תרסיס הגב

⚠ אזהרה: יש להתלבש כראוי כדי להפחית את הסיכון לפציעה בעת הפעלת מכשיר זה. אין ללבוש בגדים רפויים או תכשיטים. חבשו מגני עיניים. לבשו מכנסיים כבדים, ארוכים, מגפיים וכפפות. אל תלבשו מכנסיים קצרים, סנדלים ואל תפעילו כאשר אתם יחיפים.

לפני השימוש בתרסיס הגב, יש לוודא כי המפעיל לובש מגני עיניים וביגוד מתאים ויכול לשמור על מדרך רגל בטוח ומאוזן.

שימוש מיועד

ניתן להשתמש במוצר אך ורק לצורך המטרות המפורטות להלן:

- יישום דשנים והשקיית צמחים.
- ריסוס קוטלי עשבים, חומרי הדברה וקוטלי פטריות.

הודעה: המוצר מיועד לשימוש לגינון וחקלאותי בלבד.

הודעה: יש להשתמש במוצר רק עבור המטרות הרשומות שלו. כל שימוש אחר ייחשב לשימוש בלתי הולם.

⚠ אזהרה: יישום לא נכון של כימיקלים או תמיסות עלול לגרום לפציעה חמורה או למוות. פעלו בהתאם להוראות ולהנחיות הבטיחות של יצרן הכימיקל המפורטות בגיליון SDS.

מילוי המיכל (איור C)

⚠ אזהרה: פעלו תמיד בהתאם להוראות יצרן הכימיקלים המודפסות על תוויות המוצר שלו לשימוש, ניקוי ואחסון. אין לערבב כימיקלים. נקו את המיכל ביסודיות לאחר כל שימוש. בהתאם להוראות בסעיף "אחזקה" במדריך זה. כימיקלים צריכים להיות מאוחסנים מחוץ להישג ידם של ילדים. אי ביצוע הוראה זו עלול לגרום לפגיעה גופנית חמורה.

⚠ אזהרה: כדי למנוע פציעה ואובדן שיווי משקל, ודא שכמות הנוזלים שנוספה למיכל אינה גורמת למשקל הכולל של התרסיס, כולל המכונה, הנוזל במיכל והפיה ומארז הסוללה בשימוש, לעלות על 25 ק"ג.

כימיקלים נוזליים שיש לרסס חייבים להיות דקים כמו מים. נוזלים סמיכים יותר לא ירוססו כראוי. אין למלא את המיכל יותר על המידה.

1. הסירו את מארז הסוללה.
2. סובבו את מכסה המיכל נגד כיוון השעון והסירו אותו מהמיכל.
3. העמידו את התרסיס על משטח ישר.
4. מלאו את המיכל בכמות המים הרצויה.
5. מדדו את הכמות המומלצת של כימיקל נוזלי.
6. בזהירות שפכו את הכימיקל הנוזלי לתוך המיכל.
7. הבריגו את מכסה המיכל בחזרה על התרסיס, וודאו שהוא מהודק היטב.

ניתן לערבב מראש את תמיסות הריסוס ולשפוך אותן לתוך התרסיס.

הודעה: אם אתם משתמשים במיכל מדידה לאחסון הנוזל, הקפידו לנקות ולשטוף היטב את המיכל לאחר

במכשיר ועלול ליצור תנאים מסוכנים שעלולים להוביל לפציעה אישית.

⚠ אזהרה: כדי למנוע הפעלה בשוגג שעלולה לגרום לפציעה גופנית חמורה, הסר תמיד את מארז הסוללות מהמכשיר בעת הרכבת חלקים, ביצוע התאמות, ניקוי או כאשר המכשיר אינו בשימוש.

- מוצר זה דורש הרכבה.
- יש להסיר בזהירות את המוצר ואת כל האביזרים מהקופסה. ודאו שכל הפריטים המוצגים ב- „רשימת אריזה” כלולים.
- בדקו את המוצר בקפידה כדי לוודא כי לא התרחשו שבירה או נזק במהלך המשלוח.
- שמרו את חומרי האריזה עד שתבדקו בקפידה ותפעילו בהצלחה את המוצר.
- אם חלקים כלשהם פגומים או חסרים, אנא החזירו את המוצר למקום הרכישה.

חיבור ידית הריסוס לידית הבקרה

1. משחילים את מכסה קצה ידית הריסוס על ידית הבקרה ומהדקים היטב בכיוון השעון (איור B).
2. משוך את ידית הריסוס כדי לוודא שהוא מאובטח כראוי.

הפעלה

⚠ אזהרה: אל תניח לעובדה שאתה מכיר את המוצר להפוך אותך לפחות זהיר. זכור שחוסר זהירות של שבריר אחד של שנייה מספיק כדי לגרום לפציעה אישית חמורה.

⚠ אזהרה: השתמשו בציוד מגן. הגנו על העיניים, העור והריאות תוך כדי ערבוב, מילוי, ריסוס וניקוי. אי ביצוע פעולה זו עלול לגרום לפגיעה גופנית חמורה ולנזק לרכוש.

⚠ אזהרה: כדי למנוע פגיעה גופנית חמורה, הסירו את מארז הסוללות מהמכשיר לפני טיפול, ניקוי, החלפת אביזרים מצורפים, מילוי או ריקון המיכל.

⚠ אזהרה: אין לעשות שימוש בחיבורים או אביזרים אשר לא הומלצו על ידי יצרן מוצר זה. השימוש בחיבורים או אביזרים אשר לא הומלצו עלול לגרום לפציעה חמורה.

לפני כל שימוש, יש לבדוק את כל המוצר עבור חלקים ניזוקים, משוחררים או חסרים, כגון ברגים, אומים, בריחים, מכסים וכו'. הדקו בבטחה את כל האבזמים והמכסים ואל תפעילו את המוצר עד אשר חלקים חסרים או ניזוקים תוקנו או הוחלפו.

⚠ אזהרה: לפני השימוש בתרסיס גב, הקפד לוודא שמשקלו הכולל, כולל המכונה, הנוזל במיכל והפיה ומארז הסוללות המשמשים, אינו עולה על 25 ק"ג כדי למנוע פציעה ואובדן שיווי משקל.

- ערך הרטט הכללי המוצהר נמדד בהתאם לשיטת בדיקה סטנדרטית וניתן להשתמש בו על מנת להשוות ציוד אחד עם ציוד אחר;
- ניתן להשתמש בערך הרטט הכללי המוצהר בהערכה ראשונית של חשיפה.

הודעה: פליטת הרטט בעת השימוש המעשי בכלי יכולה להיות שונה מן הערך המוצהר כאשר הכלי נמצא בשימוש; על מנת להגן על המפעיל, על המשתמש ללבוש כפפות ומגני אוזניים בעת השימוש למעשה.

רשימת אריזה (איור A1)

תיאור

הכירו את התרסיס שלכם (איור A1)

1. צינור
2. תא סוללה
3. מיכל
4. מכסה מיכל
5. ידית נשיאה
6. רתמת תמיכה הניתנת להתאמה
7. חוגת מהירות
8. ידית נעילה
9. מפעיל הפעלה/כיבוי
10. ידית בקרה
11. מכסה אחורי
12. ידית ריסוס
13. פייה מתכווננת
14. פיית מאוורר
15. פייה מקציפה
16. פיית מקלחת

הרכבה

⚠ אזהרה: אם ישנם חלקים ניזוקים או חסרים, אל תפעילו את המכשיר עד אשר חלקים אלו יוחלפו. שימוש במכשיר זה עם חלקים פגומים או חסרים עלול לגרום לפציעה אישית חמורה.

⚠ אזהרה: אל תנסו לשנות את המוצר או ליצור אביזרים אשר אינם מומלצים לשימוש ביחד עם המסור המוצר. כל שינוי או הוספה מהווים שימוש לא נכון

נוזלים לעיניים וכתוצאה מכך לפציעה חמורה אפשרית.

- הגנו על הריאות שלכם. יש ללבוש ציוד בטיחות מאושר כגון מסכות פנים שתוכננו במיוחד כדי לסנן תרסיסים, כפפות וציוד מגן מתאים אחר. ביצוע הוראה זו יפחית את הסיכון לפציעה אישית חמורה. פעלו בהתאם להוראות ולהנחיות הבטיחות של יצרן הכימיקל המפורטות בגיליון SDS.
- כימיקלים ואדים כימיים עלולים להיות מסוכנים ולגרום לפציעה חמורה, נזק בלתי הפיך או מוות אם הם נבלעים, נשאפים או מותזים בעיניים או על העור. פעלו בהתאם להוראות ולהנחיות הבטיחות של יצרן הכימיקל המפורטות בגיליון SDS.
- בכדי להפחית את הסיכון לפציעה, יש לפקח מקרוב בעת השימוש בתרסיס ליד ילדים.
- אין ליצור קשר עם חלקים נעים.
- השתמשו רק באביזרים המומלצים או הנמכרים על-ידי היצרן.
- יש להימנע מהפעלה מקרית. יש לוודא שהמתג במצב כבוי לפני חיבור המכשיר החשמלי למארז הסוללה, או לפני הרמתו או נשיאתו. נשיאת המכשיר כאשר האצבע שלכם מקומת על המתג או חיבור מקורות מתח למכשיר הנמצא במצב פועל, מזמינים תאונות.

יש לשמור על הוראות אלה

מפרטים

מתח מדורג	56V
מקסימום קיבולת המיכל	15 ליטר
מקסימום לחץ עבודה	24 בר
מקסימום קצב זרימת ריסוס (עם פייה מתכווננת, מצב ריסוס)	2.3 ליטר/דקה
קוטר מסנן פתח	35 מ"מ
גודל רשת מסנן פתח	0.35 מ"מ
קוטר מסנן שקע	124 מ"מ
משקל (משקל יבש, ללא מארז סוללות)	7.6 ק"ג
טמפרטורת הפעלה מומלצת	5°C - 40°C
טמפרטורת אחסון מומלצת	20°C - 70°C
טמפרטורת טעינה מומלצת	5°C - 40°C

- יש להימנע מריסוס בימים עם רוח סוערת. הריסוס עלול לענף טעות על צמחים או חפצים שאין לרסס.
- אחסנו את התרסיס בחלל פנימי מאובטח ומאוורר היטב כאשר מיכל הנוזלים ריק.
- אין לרסס אקונומיקה או מי חמצן.
- אין לרסס כימיקלים על בסיס אלכוהול.
- אין לרסס אבקות או כימיקלים שוחקים.
- אין לרסס נוזלים קאוסטיים (אלקליים) או נוזלים שמתחממים עצמאית.
- אין להשתמש בכימיקלים מסוכנים לסביבה שאינם מותרים כפי שמוגדר בתקנות המקומיות.
- אין לכוון את פיית הריסוס לכיוון אנשים או חיות מחמד.
- לעולם אין לאפשר לילדים, לאנשים בעלי יכולות פיזיות, תחושתיות או מנטליות מוגבלות או חוסר ניסיון וידע או לאנשים שאינם מכירים את ההוראות להשתמש במכשיר.
- המפעיל או המשתמש אחראיים עבור כל תאונה או סכנה אשר עלולים להתרחש לאנשים אחרים או לרכושם.
- השימוש בתרסיס ייעשה אך ורק עם מוצרים להגנת הצומח שאושרו על ידי רשויות רגולטוריות מקומיות/ארציות למוצרים להגנת הצומח לשימוש עם תרסיס גב.
- סיכון להזרקה. אין לרסס ישירות כנגד העור. יש להרחיק את כל חלקי הגוף מדפוס הריסוס.
- אין להשאיר שאריות או חומר ריסוס במיכל לאחר השימוש בתרסיס. יש לנקות לאחר כל שימוש.
- כדי להפחית את הסיכון לשריפה או פיצוץ, יש להשתמש בנוזל עם נקודת הבזק גבוהה מ-60°C.
- כדי להפחית את הסיכון להתחשמלות, אין להכניס את התרסיס למים או לנוזל אחר. אין להניח או לאחסן את התרסיס במקום שבו הוא עלול ליפול או להיגרר לתוך אמבטיה או כיור.
- יש לתחזק מוצר זה. בדקו היטב הן את החלק הפנימי והן את החלק החיצוני של התרסיס ובחנו את המרכיבים לפני כל שימוש. בדקו אם המיכל סדוק ומתפורר, אם יש בו גזילות, חריצים סתומים וחלקים חסרים או פגומים. במקרה של נזק, יש לתקן את המוצר לפני השימוש. תאונות רבות נגרמות על ידי מוצרים מתוחזקים בצורה גרועה.
- סובבו את מתג ההפעלה למצב כבוי כאשר התרסיס אינו בשימוש ולפני טיפול או ניקוי.
- נתקו את הסוללה מהיחידה לפני ניקוז, ניקוי או אחסון התרסיס. אמצעי מניעה בטיחותיים כאלה מפחיתים את הסיכון להפעלה בשוגג.
- ענדו תמיד משקפי בטיחות עם הגנה צדדית או משקפות. כישלון לעשות זאת עלול לגרום לכניסת

שירות

- בצעו עבודות שירות על המכשיר שלכם רק באמצעות סכנאי שירות מוסמך העושה שימוש בחלקי חילוף זהים בלבד. הדבר יבטיח שבטיחות המכשיר נשמרת.
- לעולם אל תבצעו עבודות שירות למאזרי סוללה ניזוקים. תיקון של מאזרי סוללה צריך להתבצע רק על ידי היצרן או ספקי שירות מוסמכים.

הוראות בטיחות לתרסיס אלחוטי

⚠ סכנה: סיכון לשריפה או פיצוץ. אין לרסס נוזלים דליקים כגון בנזין.

⚠ אזהרה:

- כדי להימנע מפגיעה, יש ללבוש תמיד אמצעי הגנה על העיניים, הנשימה והעור.
- כדי להפחית את הסיכון להתחשמלות, אין לחשוף לגשם.
- לשימוש ביתי וחיצוני בלבד.
- אין לרסס נוזלים דליקים או נפיצים באזור סגור. כאשר מרססים נוזל דליק קיימת סכנת שריפה או פיצוץ. במיוחד באזור סגור.
- אזור הריסוס חייב להיות מאוורר היטב.
- אין לעשן בזמן ריסוס או לרסס היכן שיש ניצוצות או להבות.
- לפני מילוי המיכל, יש להסיר תמיד את מארז הסוללה. נגבו את כל הנוזלים לפני הכנסת מארז הסוללות. הקפדה על כלל זה תפחית את הסיכון להתחשמלות ולכניסת נוזלים מאכלים, שעלולים לגרום לכשל במארז הסוללות, כולל קצר חשמלי, וכתוצאה מכך לעשן, שריפה ו/או פגיעה גופנית חמורה.
- אין לאפשר נוזלים מוליכים או מאכלים להיכנס למארז הסוללה. אם נשפך נוזל מוליך או מאכל על מארז הסוללה, יש לעיין בהוראות במדריך למפעיל של מארז הסוללה.
- לפני השימוש בחומרי ריסוס בתרסיס זה, יש לקרוא היטב את התוויות שעל המיכל המקורי של החומר ולעקוב אחר הוראותיו. חומרי ריסוס מסוימים מסוכנים ואין להשתמש בהם בתרסיס זה, שכן הם עלולים לפגוע בתרסיס ולגרום לנזקי גוף או רכוש חמורים.
- יש להכיר את תכולת החומר הכימי המרוסס. יש לקרוא את כל גיליונות נתוני הבטיחות (SDS) ותוויות המיכל שסופקו עם הכימיקל. פעל בהתאם להוראות הבטיחות של יצרן הכימיקל.
- סכנת התחשמלות. לעולם אין לרסס לכיוון שקעי חשמל.
- אין לשפוך נוזלים חמים או רותחים לתוך המיכל. אלה יכולים להחליש או לפגוע בצינורות או במיכל.

מכירים את המכשיר או את ההוראות האלה להפעיל את המכשיר. מכשירים מסוכנים כאשר הם בהישג ידם של אנשים אשר לא הוכשרו להפעיל אותם.

- תחזקו מכונות ואביזרים. בדקו יישור או ליפוף של חלקים נעים, שבירה של חלקים ותנאים אחרים אשר עלולים להשפיע על פעולת המכשיר. במקרה של נזקים, יש לתקן את המכשיר לפני השימוש. תאונות רבות נגרמות כתוצאה מתחזוקה לקויה של מכשירים.
- שימרו על כלי החיתוך חדים ונקיים. לכלי חיתוך אשר תוחזקו הכלכה בעלי קצוות חדים יש פחות סיכוי לבצע ליפוף וקל יותר לשלוט בהם.
- השתמשו במכשירים, באביזרים, בביטים של המכשירים וכו' בהתאם להוראות אלו, כאשר אתם לוקחים בחשבון את תנאי העבודה ואת העבודה שיש לבצע. השימוש במכשיר לפעולות שלהן הוא אינו מיועד עלול להוביל למצב מסוכן.
- שימרו על הידיות ועל חלקי האחיזה יבשים, נקיים וללא שמן או חומרי סיכה. ידיות ומשטחי אחיזה מחלקים לא מאפשרים טיפול נכון ושליטה במכשיר במצבים לא צפויים.

השימוש והטיפול בסוללת המכונה

- הטעינו רק עם המטען המצוין על ידי היצרן. מטען המתאים למארז סוללה אחד עלול ליצור סכנת אש עבור מארז סוללה אחר.
- יש להשתמש במכשירים אך ורק עם מאזרי הסוללה המיועדים להם. השימוש במאזרי סוללה אחרים עלול ליצור סיכון לפגיעות ושרפות.
- כאשר מארז הסוללה איננו בשימוש, שימרו עליו במרחק מסוים מעצמים אחרים העשויים ממתכת, כגון מהדקי נייר, מטבעות, מפתחות, מסמרים, ברגים או עצמים קטנים ממתכת העלולים לבצע חיבור של מסוף אחד למשנהו. ביצוע קצר בין מסופי הסוללה עלול לגרום לכוויות או שריפה.
- בתנאי שימוש לא נאותים, נוזל עלול להיפלט מן הסוללה; הימנעו ממגע עמו. אם ישנו מגע מקרי, שטוף את האזור במים. אם מתרחש מגע עם העיניים, פנו לעזרה רפואית. נוזל הנפלט מן הסוללה עלול לגרום לפריחה או כוויות.
- אל תשתמשו במארז סוללה או מכשיר ניזוקים או אשר שנו. סוללות ניזוקות או אשר שנו עלולות להתנהג בצורה לא צפויה אשר עלולות להסתיים בשרפה, פיצוץ או סיכון לפגיעה אישית.
- אל תחשפו את מארז הסוללה או את המכשיר לאש או לטמפרטורות גבוהות. חשיפה אל אש או טמפרטורות הגבוהות מ-130°C עלולה לגרום לפיצוץ.
- בצעו את כל הוראות ההטענה ואל תטעינו את מארז הסוללה או את המכשיר מחוץ לטווחי הטמפרטורה המצוינים בהוראות אלו. הטענה לא נכונה או מחוץ לטווחי הטמפרטורה המצוינים עלולים לגרום לנזק ולהעלות את הסיכון לשרפה.

HE

סמים, אלכוהול או תרופות. רגע אחד של חוסר תשומת לב בעת הפעלת מכשירים עלול לגרום לפציעה אישית חמורה.

■ **השתמשו בציוד הגנה אישי.** חבשו תמיד מגני עיניים. כאשר נעשה שימוש בציוד הגנה כגון מסכת אבק, נעלי בטיחות נגד החלקה, כובעים קשים או מגני אוזניים, בתנאים המתאימים, הדבר יפחית את הסיכון לפציעות אישיות חמורות.

■ **יש להימנע מהפעלה מקרית.** וודאו שהמתג נמצא במצב כבוי לפני חיבור של מקור מתח /או מארז הסוללה, לפני הרמת המכשיר או נשיאתו. נשיאה של מכשירים כאשר האצבע שלכם ממוקמת על המתג או חיבור מקורות מתח למכשירים הנמצאים במצב פועל, מזמינים תאונות.

■ **יש להסיר כל כלי כוונון או מפתח ברגים לפני הפעלת המכשיר.** מפתח ברגים או כלי כוונון המוצמדים אל רכיב מסוים של המכשיר עלול לגרום לפציעה אישית חמורה.

■ **אל תנסו להתמתח רחוק מדי.** שימרו על צעד ואיזון בטוחים בכל זמן. הדבר מאפשר שליטה טובה יותר במכשיר במצבים בלתי צפויים.

■ **לבשו בגדים מתאימים.** אל תלבשו בגדים רפויים או תכשיטים. שימרו על היעדר שלכם ועל חלקי ביגוד הרחק מחלקים נעים. בגדים רפויים, תכשיטים או שיער ארוך עלולים להיתפס בחלקים הנעים.

■ **אם המכשירים מגיעים ביחד עם חיבור להוצאת אבק ומתקני איסוף, וודאו שאלו מחוברים כהלכה והשימוש בהם נעשה באופן נכון.** השימוש במתקנים לאיסוף אבק יכול להפחית סכנות הקשורות לאבק.

■ **נקטו זהירות בעת השימוש במכשיר גם לאחר שאתם בקיאים בשימוש, ואל תיתנו לנוחיות השימוש שלכם להפוך אותכם לשאננים ולהתעלם מעקרונות הבטיחות.** פעולה לא זהירה עלולה לגרום לפציעה חמורה בשרירי שנייה.

השימוש והטיפול במכשיר

■ **אל תפעילו כוח על המכשיר.** השתמשו במכשיר המיועד למטרה שלכם. המכשיר הנכון יבצע את עבודתו בצורה טובה ובטוחה יותר בקצב בו הוא תוכנן לפעול.

■ **אין להשתמש במכשיר אם מתג ההפעלה והכיבוי אינו פועל.** מכשיר אשר לא ניתן לשלוט בו בעזרת המתג הוא מסוכן ויש לתקן אותו.

■ **נתקו את התקע ממקור החשמל ו/או הסירו את מארז הסוללה מן המכשיר, אם ניתן, לפני ביצוע כל התאמה, שינוי של אביזרים, או אחסון של מכשירים.** אמצעי זהירות למניעה אלו מפחיתים את הסיכון להפעלה מקרית של המכשיר.

■ **יש לאחסן את המכשיר כשאינו בשימוש מחוץ להישג ידם של ילדים ואין לאפשר לאנשים שאינם**

אזהרות בטיחות כלליות

▲ **אזהרה:** קראו את כל האזהרות הבטיחות, את ההוראות, התמונות והמפרטים המסופקים ביחד עם מכשיר זה. אי מילוי כל ההוראות המופיעות למטה עלול לגרום להלם חשמלי, שרפה ו/או פציעה חמורה.

שימרו את כל האזהרות וההוראות לעיון עתידי.

המושג „מכשיר” בחלק האזהרות מתייחס אל המכשיר שלכם (חוט) או מכשיר המונע על ידי סוללות (אלחוטי).

בטיחות סביבת העבודה

- שימרו על סביבת העבודה נקייה ומוארת כהלכה. סביבות לא מסודרות ואפלות מזמינות תאונות.
- אל תפעילו מכשירים באזורים דליקים, בנוכחות נוזלים דליקים, גזים או אבק. מכשירים מייצרים ניצוצות העלולים להצית את האבק או האדים.
- בקשו מילדים ומעוברי אורח להתרחק מן המכשיר בעת הפעלתו. הסחות דעת עלולות לגרום לכם לאבד שליטה.

בטיחות חשמלית

- התקעים של המכשיר צריכים להיות מתאימים לשקע. לעולם אל תשנו את התקע בכל צורה שהיא. אל תשתמשו במתאמים עבור תקעים של מכשירים בעלי הארקה. תקעים שלא שונו ושקעים מתאימים יפחיתו את הסיכון לשוק חשמלי.
- הימנעו ממגע עם משטחים בעלי הארקה, כגון צינורות, רדיאטורים, כיריים ומקררים. יש סיכון גבוה להלם חשמלי אם הגוף שלכם מוארק.
- אין לחשוף את המכונות לגשם או לתנאי רטיבות. מים הנכנסים אל המכונה יגבירו את הסכנה להלם חשמלי.
- אל תפעילו לחץ על הכבל. לעולם אל תשתמשו בכבל על מנת לשאת, למשוך או להוציא את המכשיר מן השקע. שימרו על הכבל הרחק ממקורות חום, שמן, קצוות חדים או חלקים נעים. כבלים ניזוקים או מולופפים מגבירים את הסיכון לשוק חשמלי.
- בעת הפעלת המכשיר בחוץ, עשו שימוש בכבל מאריך המתאים לשימוש בחוץ. השימוש בכבל מאריך המתאים לשימוש בחוץ מפחית את הסיכון לשוק חשמלי.
- אם אין מניעה מהפעלת המכשיר במקום לח, עשו שימוש בממסר פחת (DCR) להגנה על המתח. השימוש בממסר פחת מפחית את הסיכון לשוק חשמלי.

בטיחות אישית

- יש להישאר דרוכים ומוודעים, ולהשתמש בשכל הישר בעת שימוש במכשיר. נא לא להשתמש במכשיר כאשר אתם עייפים או תחת השפעה של

קראו את כל ההוראות!



⚠ אזהרה: על מנת להבטיח בטיחות ואמינות, יש לבצע את כל התיקונים וההחלפות בעזרת טכנאי שירות מוסמך.

⚠ אזהרה: ודאו שאתם קוראים ומבינים את כל ההוראות הבטיחות המופיעות במדריך זה למשתמש, כולל את כל סימני התראות הבטיחות כגון „סכנה“, „אזהרה“ ו „זהירות“ לפני השימוש במכשיר זה. אי מילוי אחר כל ההוראות המופיעות למטה יכול לגרום להלם חשמלי, שרפה ו/או פציעות אישיות חמורות.

שימרו את כל האזהרות וההוראות לעין עתידי.

סמלי בטיחות

⚠ אזהרה: הפעלה של כלי עבודה חשמליים עלולה לגרום לעצמים זרים להיזרק אל תוך העיניים, דבר העלול לגרום לנזק חמור לעיניים. לפני ההפעלה של כלי עבודה חשמלי, ענדו תמיד משקפי מגן או משקפי בטיחות עם הגנה צדדית, ובעת הצורך, הגנה עבור כל הפנים. אנו ממליצים על שימוש במסכת בטיחות רחבה מעל למשקפי המגן או על שימוש במשקפי בטיחות עם הגנה צדדית.

על מנת להפחית את הסיכון לפציעות, על המשתמש לקרוא ולהבין את המדריך למשתמש לפני השימוש במוצר זה.



התראת בטיחות



יש להרחיק עוברי אורח בעת הריסוס.



לבשו ביגוד מגן.



מוצר זה תואם לתקנות ה-EC הרלוונטיות.



לבשו מגן פנים.



מוצר זה תואם לחוקים הרלוונטיים בבריטניה.



רמת עוצמת קול מובטחת. פליטת רעש אל הסביבה בהתאם לתקנת הנציבות האירופית.



IPX4 הגנה מפני התזת מים

אין לזרוק מוצרים חשמליים כחלק מאשפה ביתית. יש להביא את המכשיר למרכז מחזור מוסמך.



לדקות /..

זרם ישיר



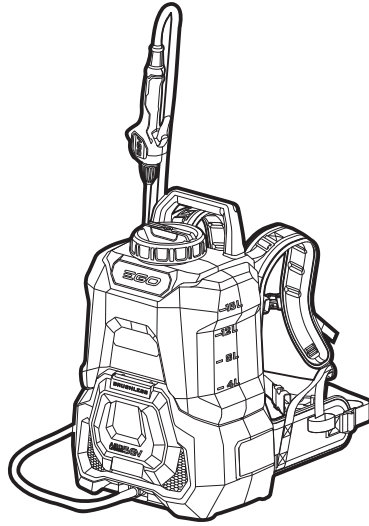
מהירות ללא עומס

V מתח

מ"מ מילימטר

EGO™

POWER⁺ SPRAYER



BSP3500E

תרסיס גב אלחוטני בעל סוללת ליתיום-יון 56 וולט HE

رشاشة لاسلكية محمولة على الظهر ببطارية ليثيوم-أيون 56 فولت AR

